



US00D828766S

(12) **United States Design Patent** (10) **Patent No.:** **US D828,766 S**
Latour et al. (45) **Date of Patent:** **** Sep. 18, 2018**

(54) **PRODUCT PACKAGING FOR A YOGURT CUP PRODUCT**

- (71) Applicant: **Chobani LLC**, Norwich, NY (US)
- (72) Inventors: **Jean-Yves Latour**, Utica, NY (US);
Christopher Ryan, Fairfield, CT (US);
Niel Sanford, Warwick, NY (US)
- (73) Assignee: **Chobani LLC**, Norwich, NY (US)
- (**) Term: **15 Years**
- (21) Appl. No.: **29/606,212**

- (22) Filed: **Jun. 2, 2017**
- (51) **LOC (11) Cl.** **09-05**
- (52) **U.S. Cl.**
USPC **D9/711; D9/433**
- (58) **Field of Classification Search**
USPC D9/414-434, 442-445, 456, 457, 542,
D9/563, 600, 614-624, 661-664, 648,
D9/655, 657, 658, 685, 696, 697-699,
D9/707, 711, 754, 759, 772-776;
D3/273, 276, 304, 309-313; D7/601,
D7/602, 709
CPC B65D 5/00; B65D 5/001; B65D 5/0015;
B65D 5/0227-5/0254; B65D 5/18; B65D
5/38; B65D 5/40; B65D 5/2033; B65D
1/22; B65D 1/24; B65D 1/34; B65B 5/06
See application file for complete search history.

(56) **References Cited**

U.S. PATENT DOCUMENTS

- 3,233,730 A * 2/1966 Winters B65D 71/16
206/159
- 3,604,614 A * 9/1971 Sternfeld B65D 71/20
206/197
- D432,414 S * 10/2000 Simpson D9/711
- 6,261,616 B1 * 7/2001 Simpson B65D 1/34
206/541
- D484,798 S * 1/2004 Bukowski D9/433

(Continued)

FOREIGN PATENT DOCUMENTS

CA 152136 * 7/2013

OTHER PUBLICATIONS

Mott's Applesauce Only \$0.99 at Target. Online, published date Feb. 5, 2015. Retrieved on May 16, 2018 from URL: <http://mymommataughtme.com/motts-applesauce-only-0-99-at-target/>.
Chobani moves beyond Greek with Smooth launch: 'We're a yogurt company, not a Greek yogurt company'. Online, published date Jul. 6, 2017 from URL: https://www.foodnavigator-usa.com/Article/2017/06/28/Chobani-moves-beyond-Greek-with-Smooth-classic-launch?utm_source=copyright&utm_medium=OnSite&utm_campaign=copyright.

(Continued)

Primary Examiner — Karen S Acker

Assistant Examiner — Omeed Agilee

(74) *Attorney, Agent, or Firm* — Wood Herron & Evans LLP

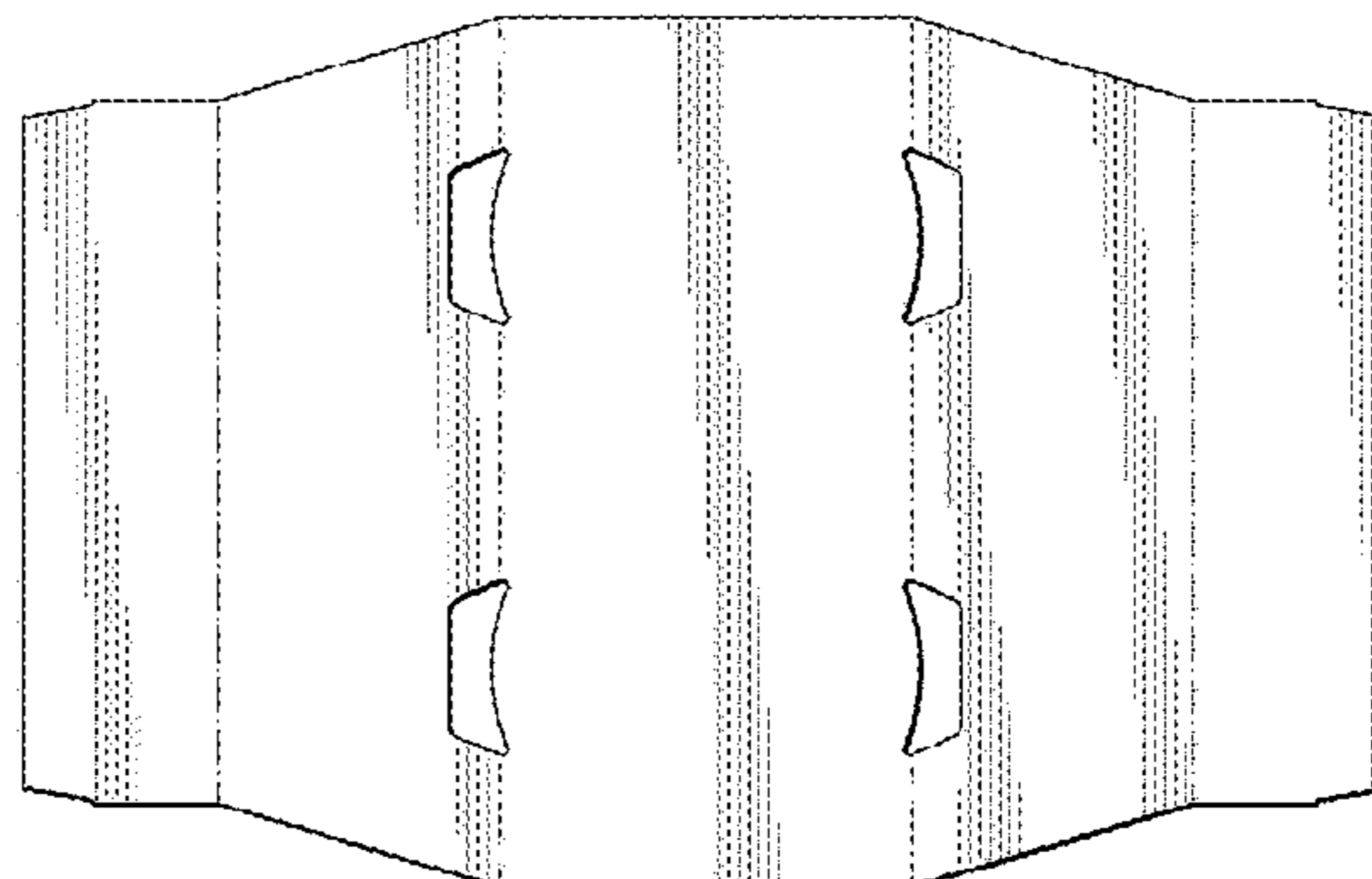
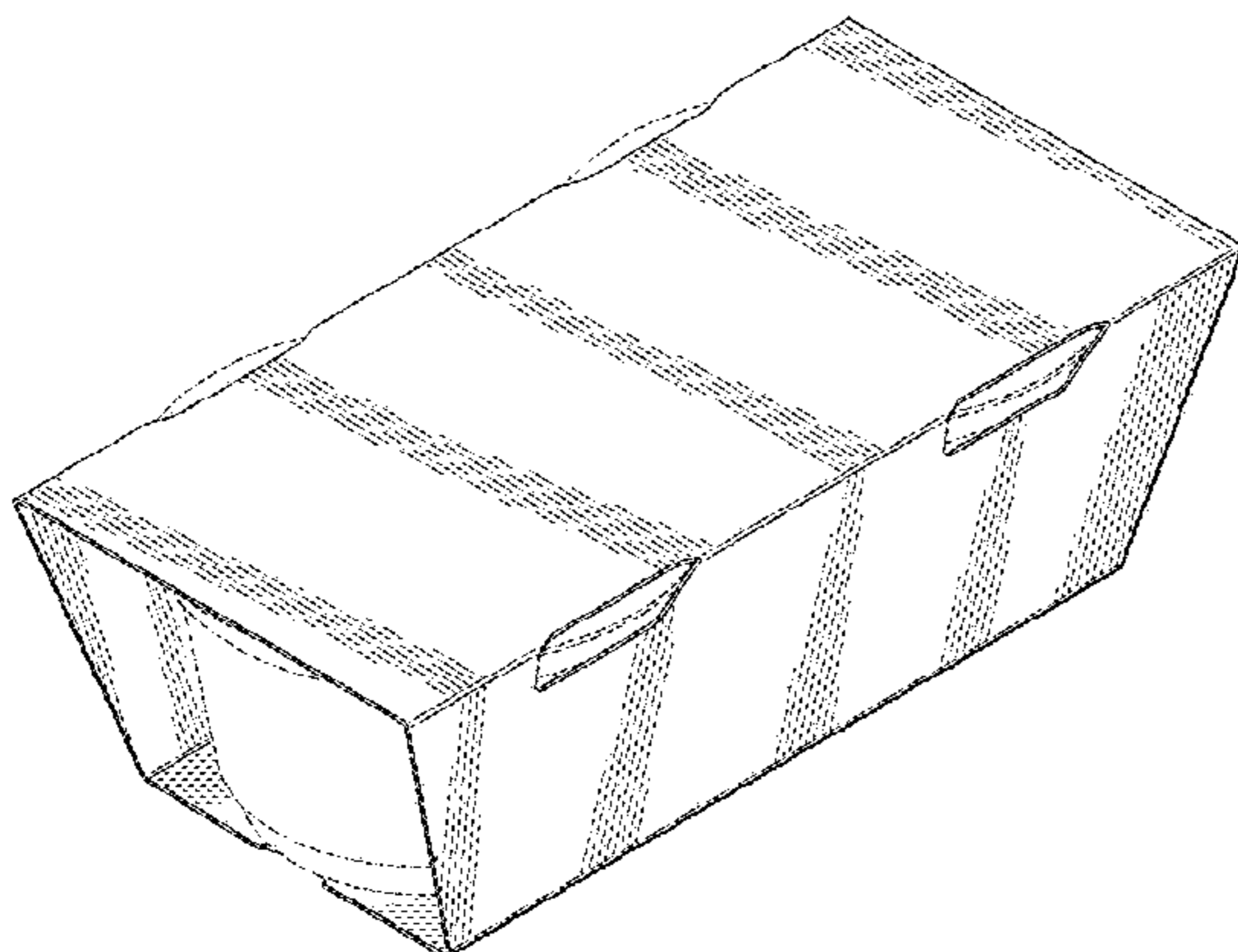
(57) **CLAIM**

The ornamental design for a product packaging for a yogurt cup product, as shown and described.

DESCRIPTION

FIG. 1 is a front perspective view of a product packaging for a yogurt cup product assembled in a condition of use.
FIG. 2 is a front elevation view thereof.
FIG. 3 is a rear elevation view thereof.
FIG. 4 is a left side elevation view thereof, the right side elevation view being a mirror image thereof.
FIG. 5 is a top plan view thereof.
FIG. 6 is a bottom plan view thereof.
FIG. 7 is a top plan view thereof, shown before folding into the fully assembled state of FIGS. 1 through 6, the bottom view being identical.
The dash-dot-dash lines in the drawings in FIG. 7 illustrate the edges of the design as tear lines or fold lines of the product packaging for a yogurt cup product and form no part of the claimed design. The evenly spaced broken lines in the drawings depict environmental subject matter that forms no part of the claimed design.

1 Claim, 6 Drawing Sheets



(56)

References Cited

U.S. PATENT DOCUMENTS

D558,602 S *	1/2008	Kissner	D9/711
D582,791 S *	12/2008	Elmerhaus	D9/721
D610,919 S *	3/2010	James	D9/711
D639,679 S *	6/2011	Kissner	D9/739
D642,934 S *	8/2011	Ly	D9/711
D665,271 S *	8/2012	Halty	D9/711
D699,591 S *	2/2014	Malley	D9/711
D710,213 S *	8/2014	Birchmeier	D9/711
D718,641 S *	12/2014	Ryan	D9/433
D742,759 S *	11/2015	Ryan	D9/702
D751,895 S *	3/2016	Bellamah	D9/432
D766,736 S *	9/2016	Shoshan	D9/711
D769,732 S *	10/2016	Shoshan	D9/711
D798,736 S *	10/2017	Shoshan	D9/711
D815,955 S *	4/2018	Park	D9/643

OTHER PUBLICATIONS

High Quality Custom Paper Food Packaging Sleeves. Online, published date unknown. Retrieved on May 16, 2018 from URL: https://ecolorpack.en.alibaba.com/product/1706562249-805405225/High_Quality_Custom_Paper_Food_Packaging_Sleeves.html.*

Packaging—product sleeves. Online, published date Aug. 7, 2016. Retrieved on May 16, 2018 from URL: <http://www.bicubic.com.au/product-sleeves/>.*

Sleeve packaging is the right solution for a Finnish yogurt maker. Online, published date Mar. 20, 2017. Retrieved on May 15, 2018 from URL: <https://www.dairyfoods.com/articles/92202-sleeve-packaging-is-the-right-solution-for-a-finnish-yogurt-maker>.*

* cited by examiner

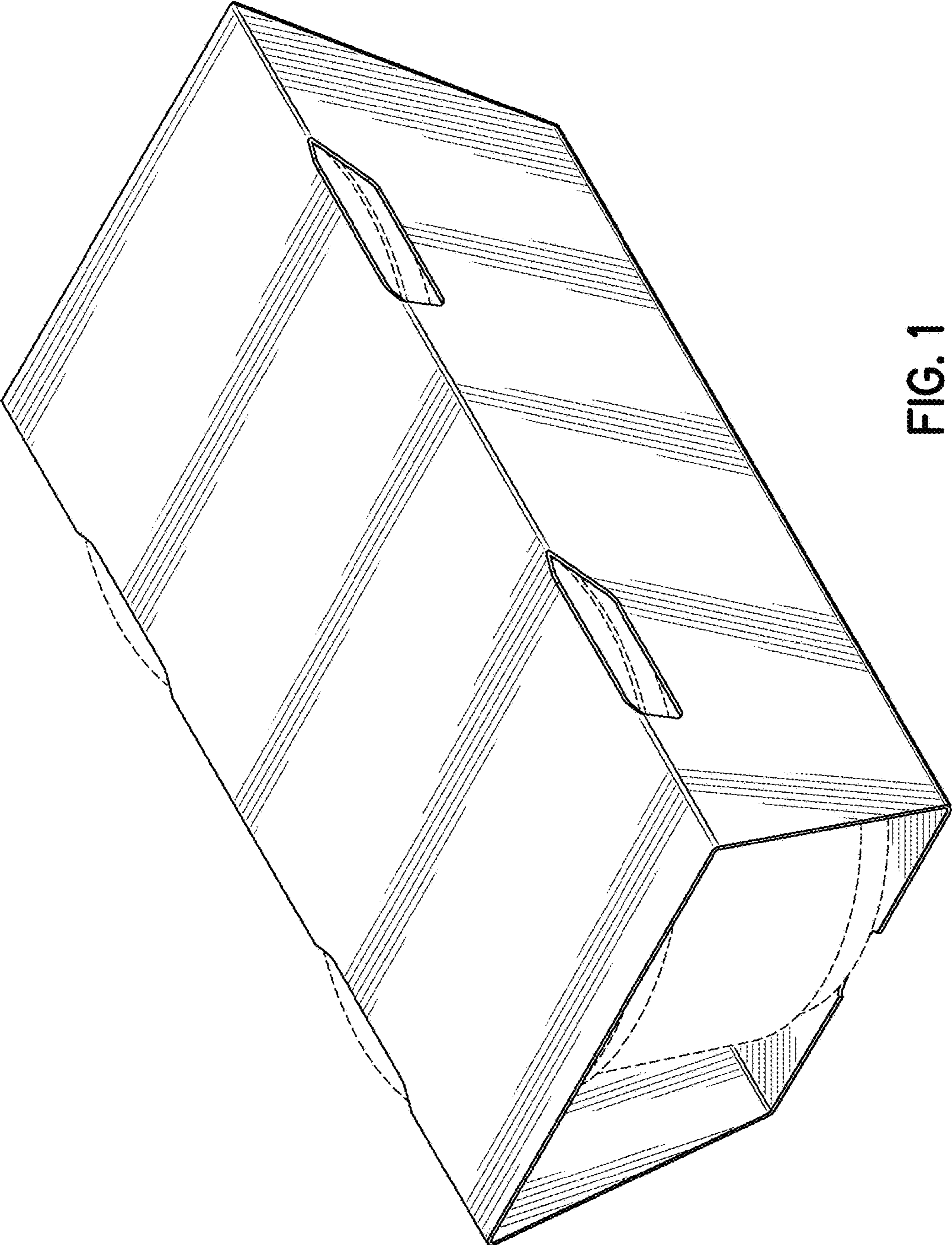


FIG. 1

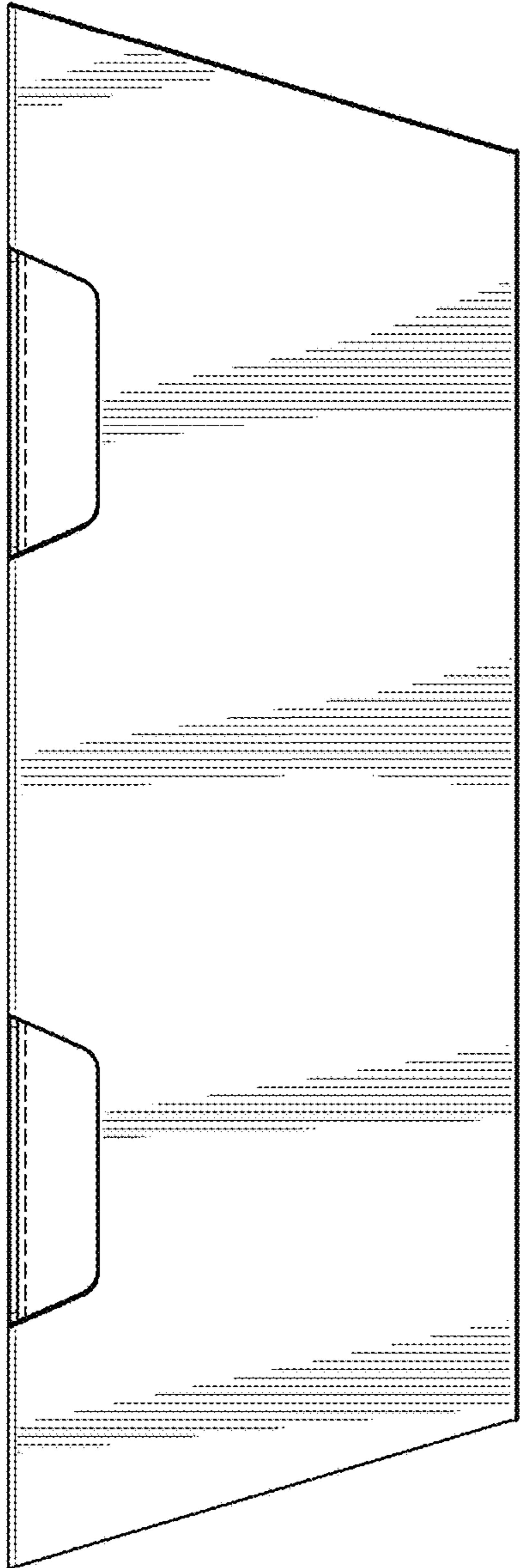


FIG. 2

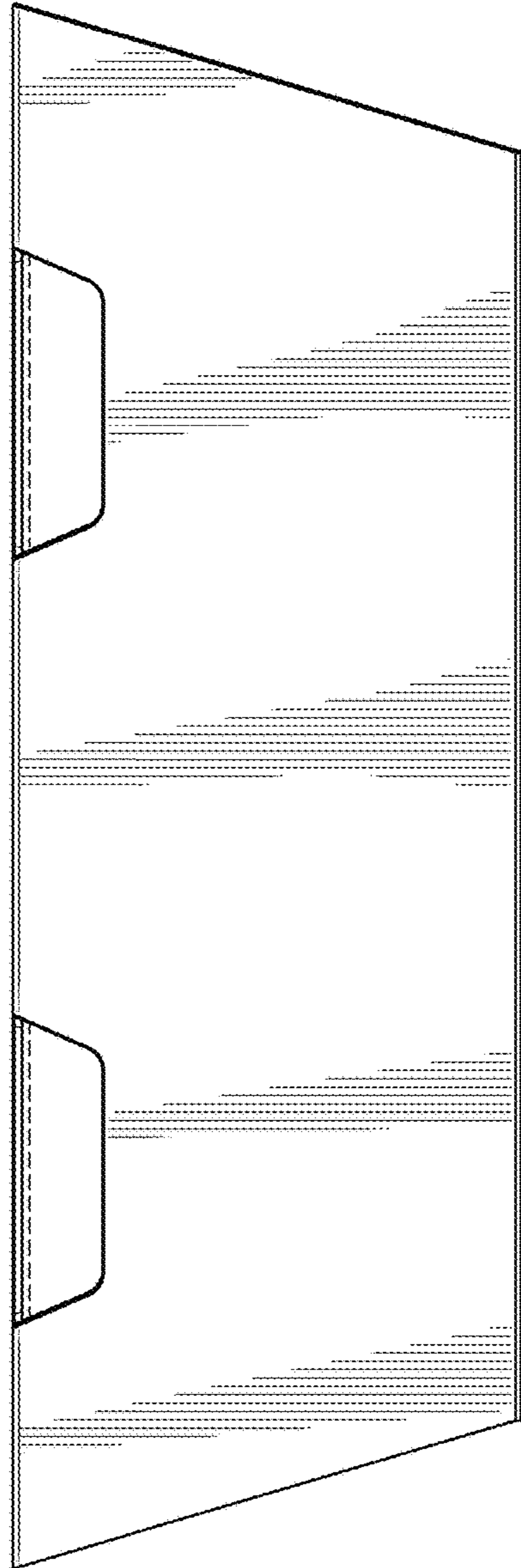


FIG. 3

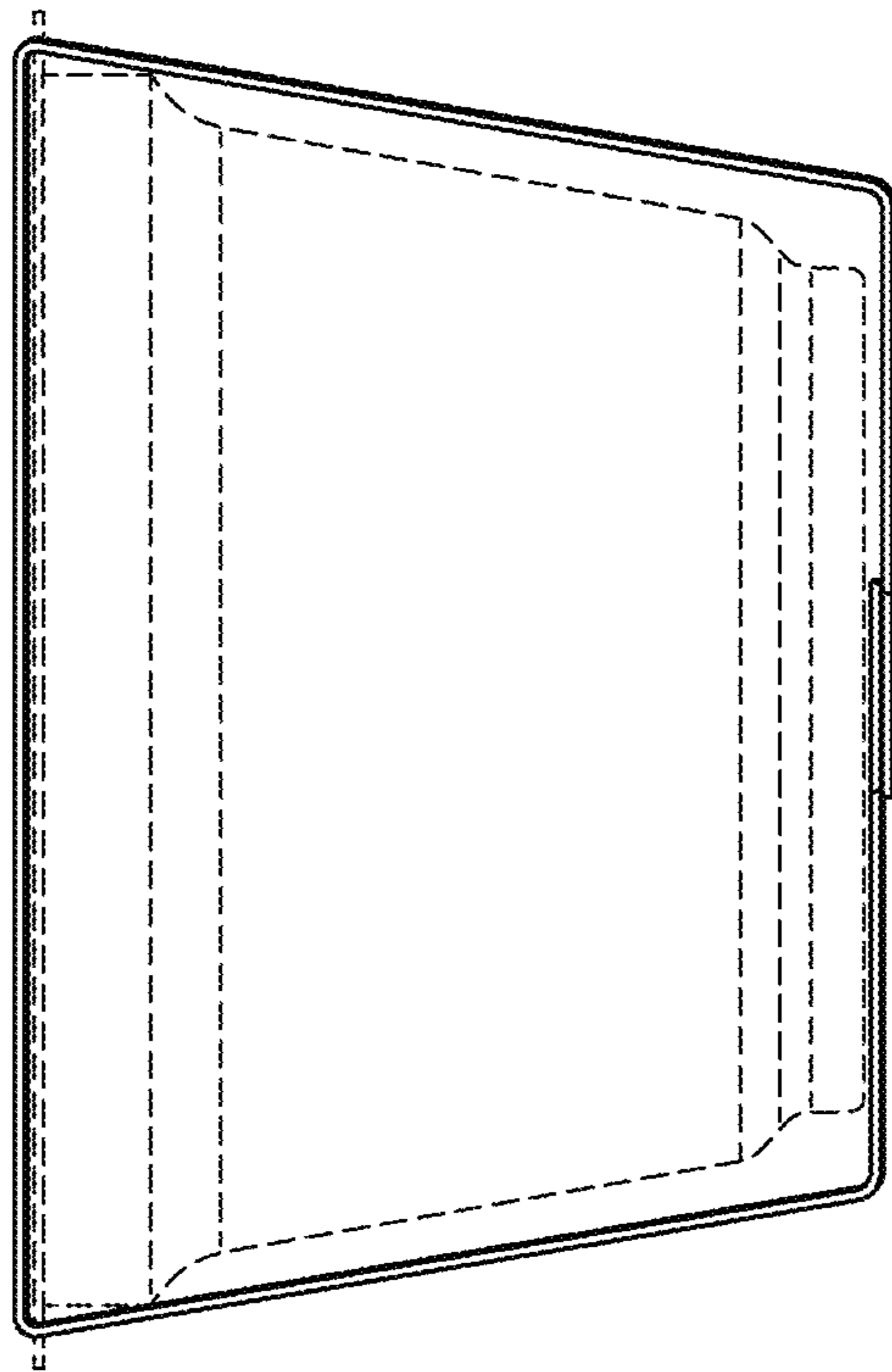


FIG. 4

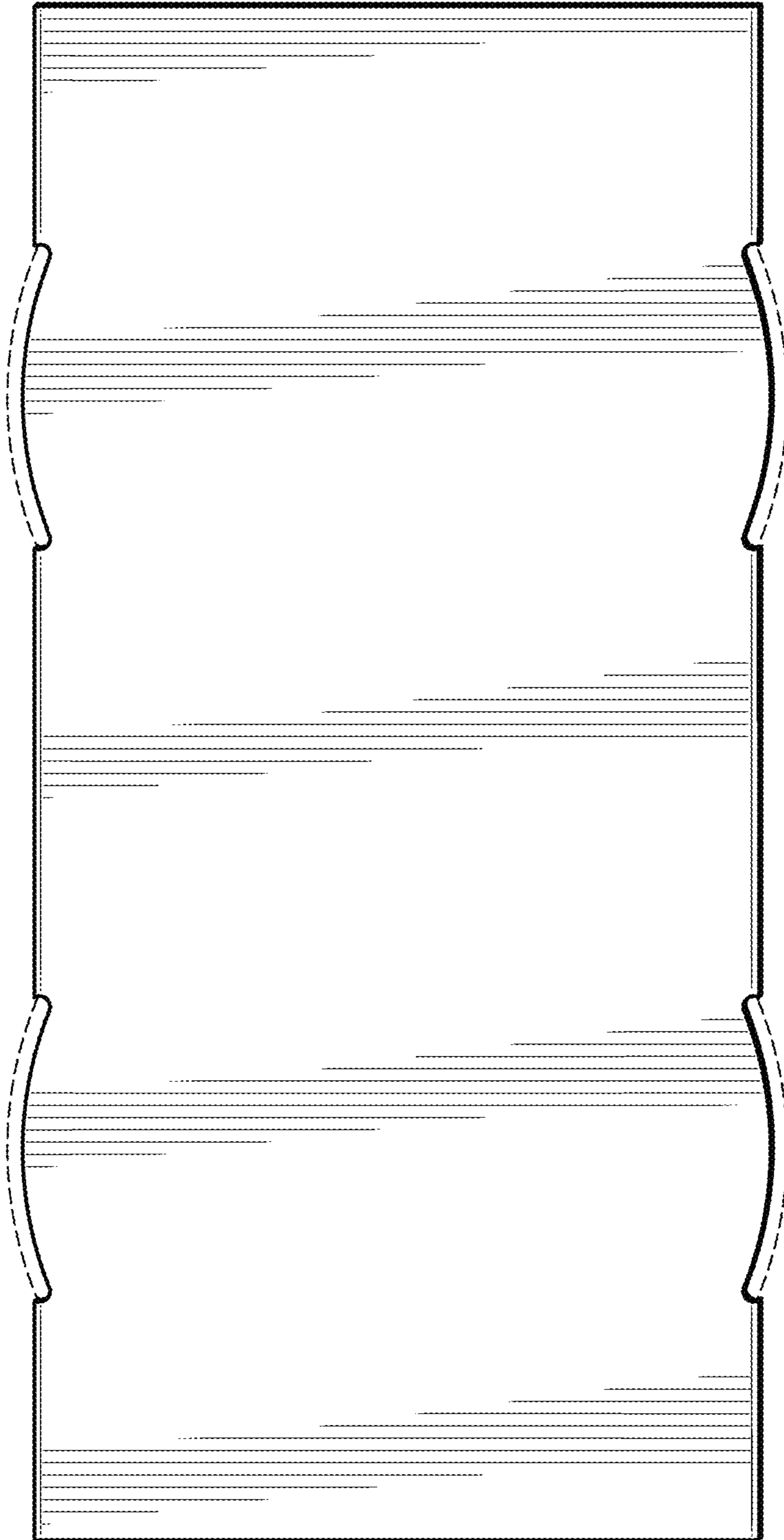


FIG. 5

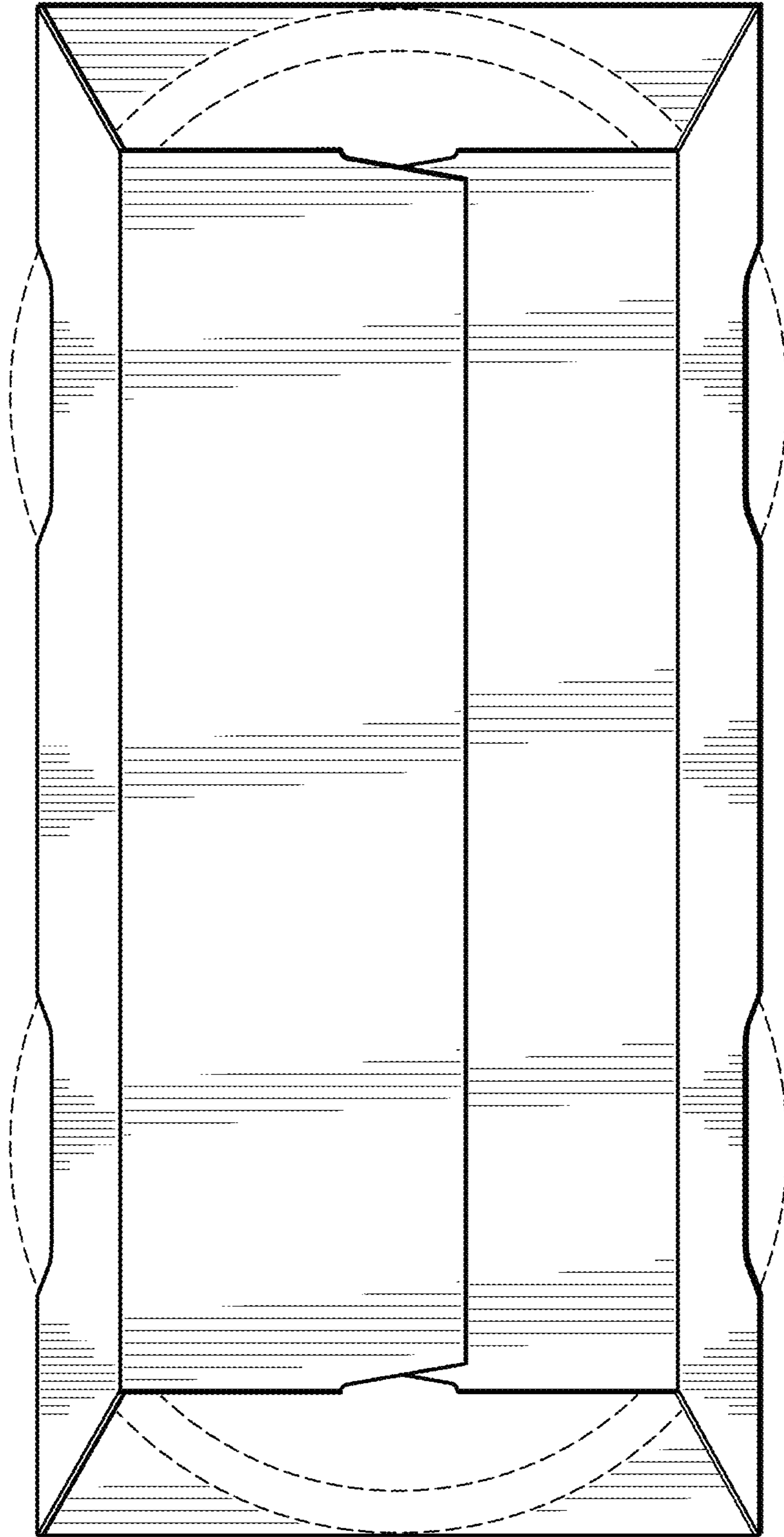


FIG. 6

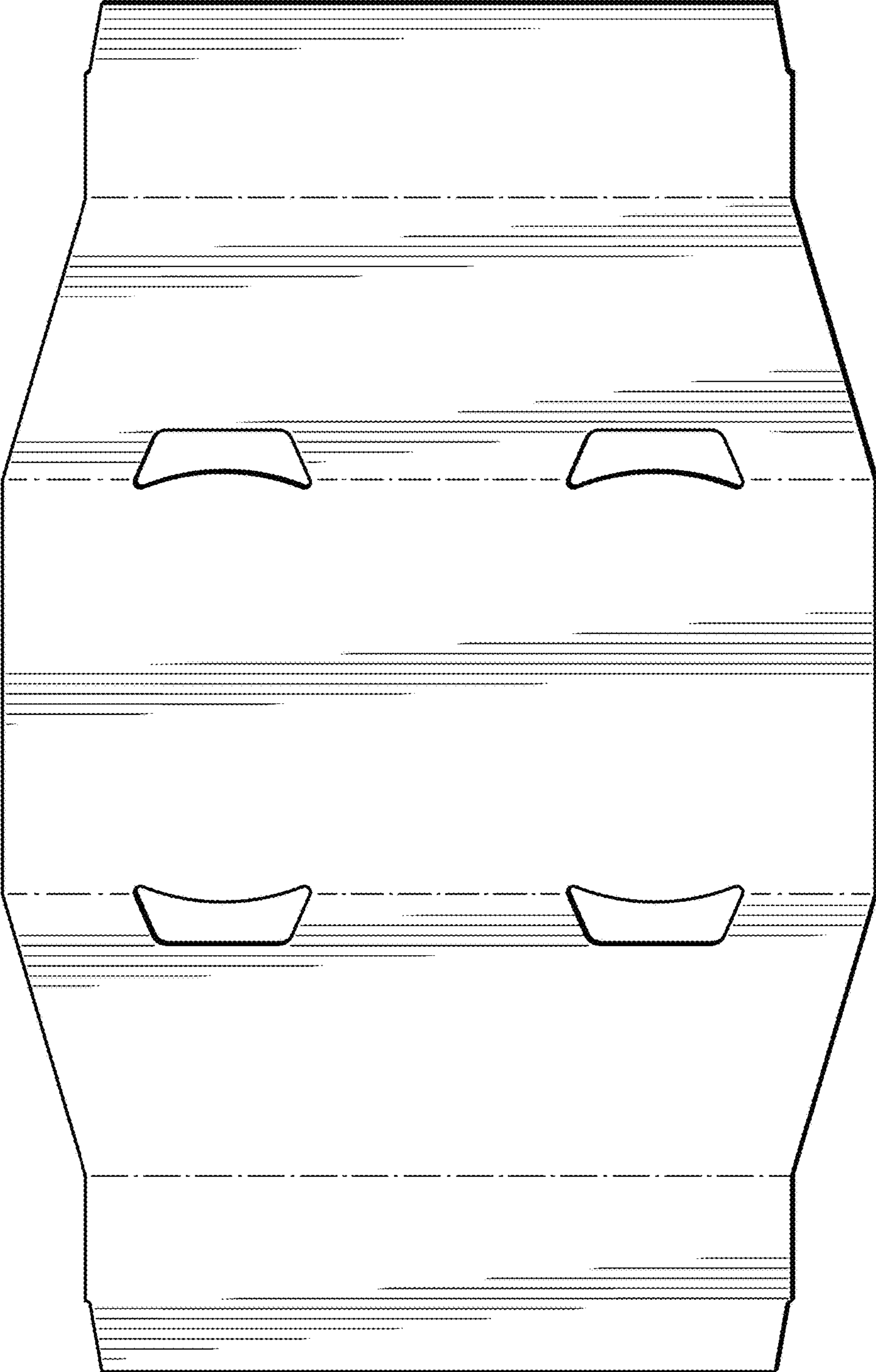


FIG. 7