



US00D828761S

(12) **United States Design Patent**
Chang

(10) **Patent No.:** **US D828,761 S**

(45) **Date of Patent:** **** Sep. 18, 2018**

(54) **FUNNEL**

B65D 2543/00296; B65D 5/46; B65D
2251/00

(71) Applicant: **TSANN KUEN (ZHANGZHOU)**
ENTERPRISE CO., LTD, Zhangzhou
(CN)

See application file for complete search history.

(72) Inventor: **Wenyu Chang**, Tainan (TW)

(73) Assignee: **Tsann Kuen (Zhangzhou) Enterprise**
Co., Ltd., Zhangzhou (CN)

(**) Term: **15 Years**

(21) Appl. No.: **29/591,976**

(22) Filed: **Jan. 25, 2017**

(30) **Foreign Application Priority Data**

Oct. 15, 2016 (CN) 2016 3 0504734

(51) **LOC (11) Cl.** **07-99**

(52) **U.S. Cl.**
USPC **D9/700**

(58) **Field of Classification Search**

USPC D9/414, 415, 424, 425, 434, 435, 436,
D9/443, 444-452, 454-456, 499, 529,
D9/682, 685, 686; D7/387, 391, 392,
D7/392.1, 396.1, 396.2, 396.3, 396.4,
D7/397, 398, 401.1, 507, 509-511, 538,
D7/900, 700, 410; D3/202, 203.2;
D28/91, 91.1; D15/150

CPC .. A61J 1/00; A61J 1/1412; B65D 1/00; B65D
1/02; B65D 1/10; B65D 1/46; B65D
2585/56; B65D 2585/545; B65D 41/00;
B65D 41/38; B65D 41/56; B65D 41/62;
B65D 47/00; B65D 47/06; B65D 47/08;
B65D 2543/00046; B65D 2543/00092;

(56) **References Cited**

U.S. PATENT DOCUMENTS

1,425,100 A * 8/1922 Newton B67C 11/063
137/424
3,982,570 A * 9/1976 Devoe B67C 11/02
141/95
4,334,557 A * 6/1982 YaSenka B26D 1/553
141/331
D332,035 S * 12/1992 Pigott D7/700
D404,617 S * 1/1999 Mick D7/700
D606,373 S * 12/2009 McCaffery D7/700
D668,151 S * 10/2012 Abbondanzio D9/435

(Continued)

Primary Examiner — Michael A. Pratt

Assistant Examiner — Wendy L Arminio

(74) *Attorney, Agent, or Firm* — Wang Law Firm, Inc.

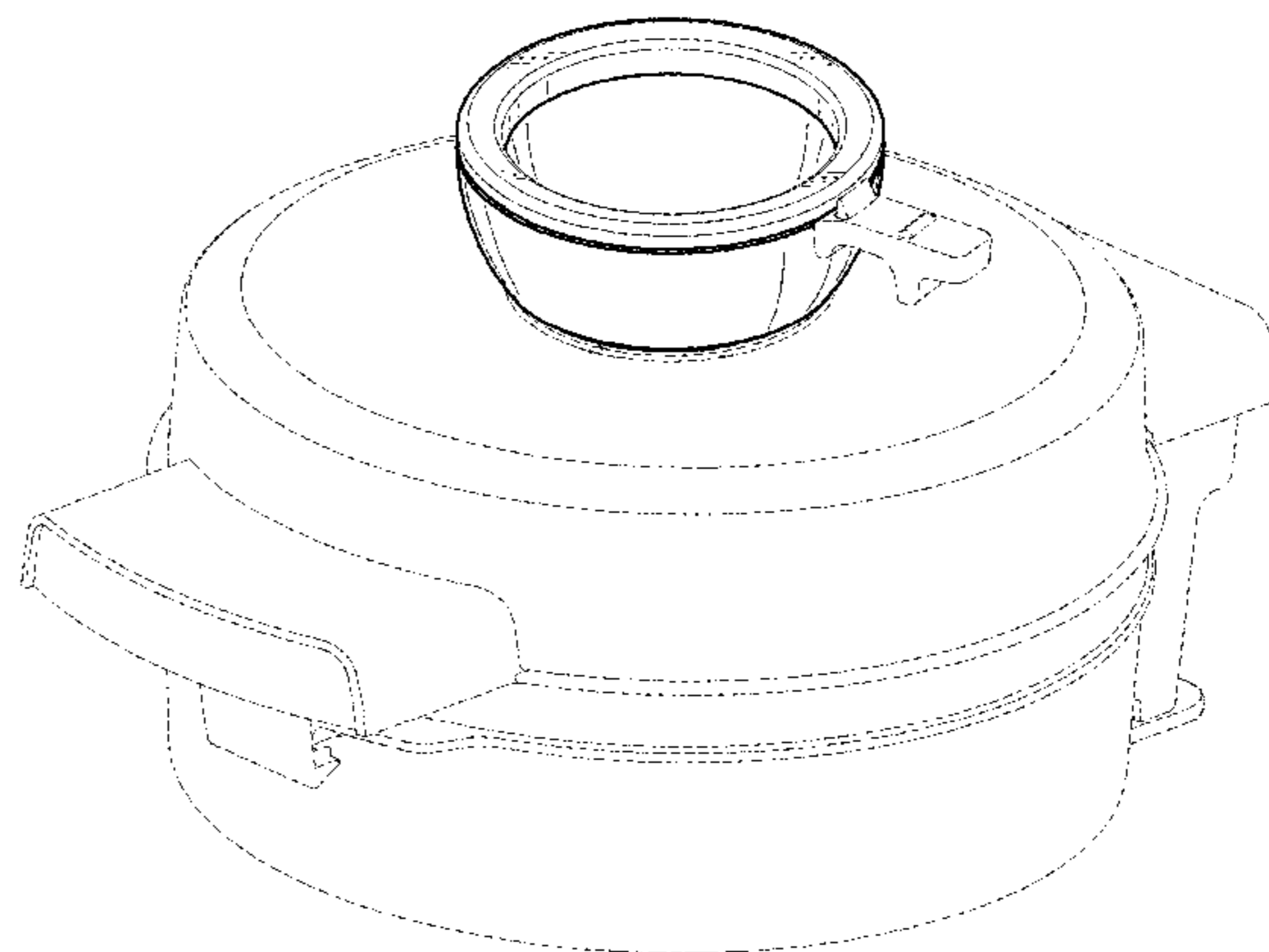
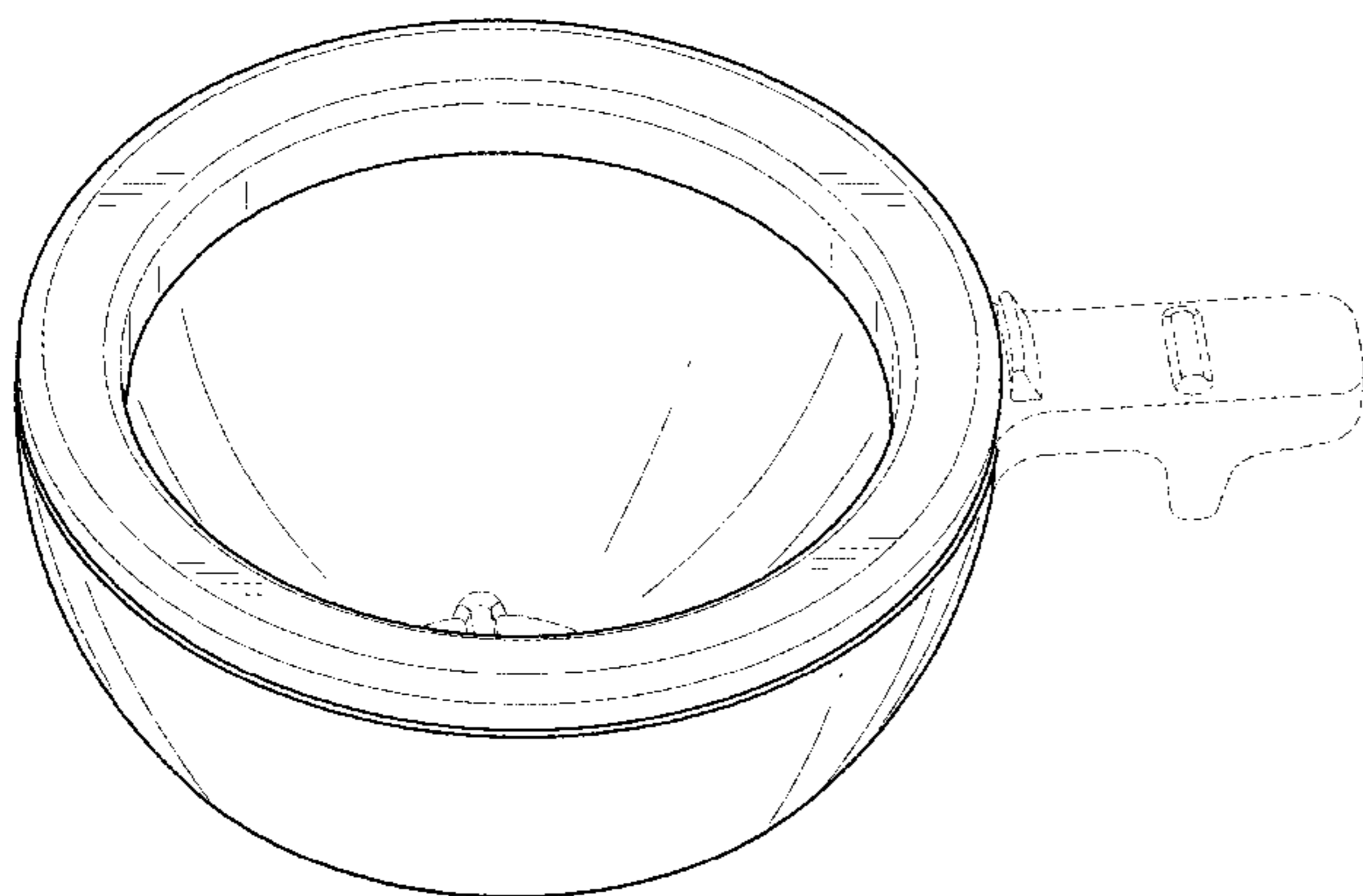
(57) **CLAIM**

The ornamental design for a funnel, as shown and described.

DESCRIPTION

FIG. 1 is a front view of a funnel showing my new design;
FIG. 2 is a rear view thereof;
FIG. 3 is a left side view thereof;
FIG. 4 is a right side view thereof;
FIG. 5 is a top plan view thereof;
FIG. 6 is a bottom plan view thereof;
FIG. 7 is a perspective view thereof;
FIG. 8 is a top front perspective view thereof, shown in a
first position of use attached to an unclaimed grill drawn in
broken lines; and,
FIG. 9 is a bottom front perspective view thereof, shown in
a second position of use attached to an unclaimed grill drawn
in broken lines.

(Continued)



The broken lines in FIGS. 8 and 9 showing a grill depict environment and form no part of the claimed design. All other broken lines depict portions of the funnel that form no part of the claimed design.

1 Claim, 9 Drawing Sheets

(56)

References Cited

U.S. PATENT DOCUMENTS

D669,751 S *	10/2012	Kent	D7/700
D676,293 S *	2/2013	Cetera	D7/691
2012/0088021 A1 *	4/2012	Baumgarten	A47J 36/06 426/493
2017/0049268 A1 *	2/2017	Zhan	A47J 37/0611
2017/0119198 A1 *	5/2017	Barber	A47J 31/0642
2017/0224156 A1 *	8/2017	Chang	A47J 37/0611

* cited by examiner

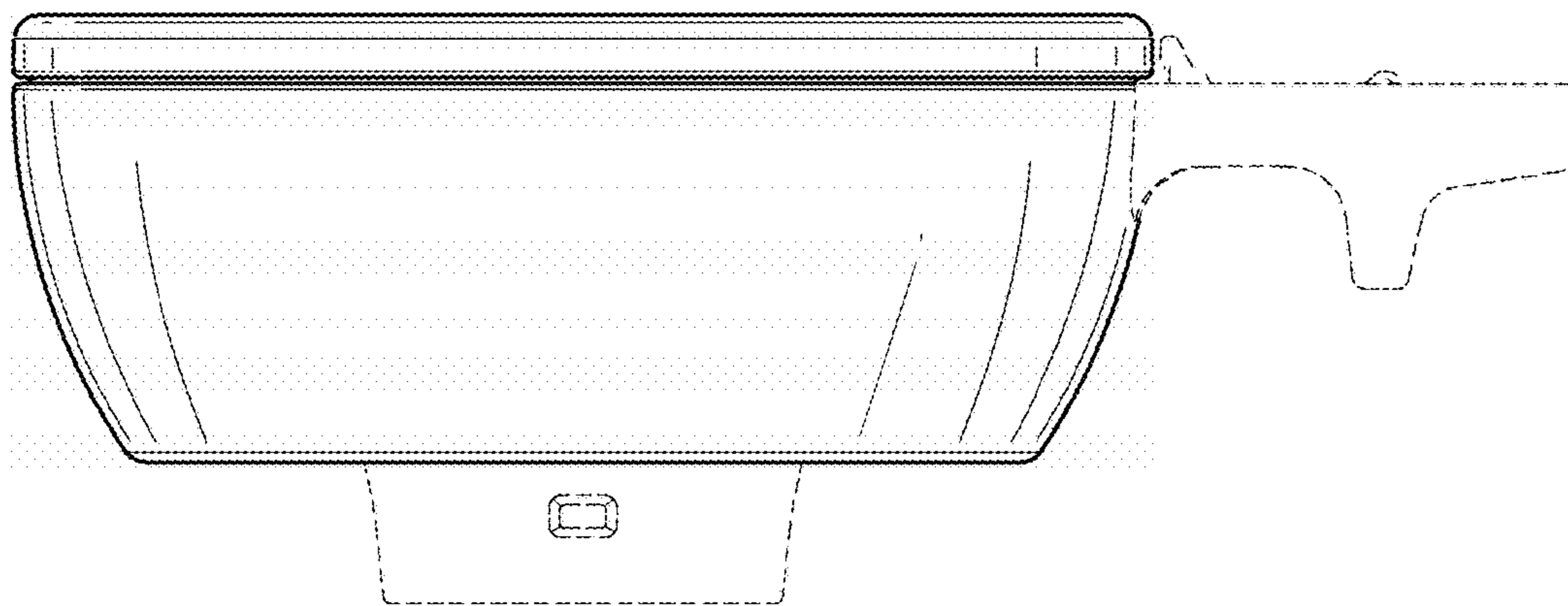


FIG.1

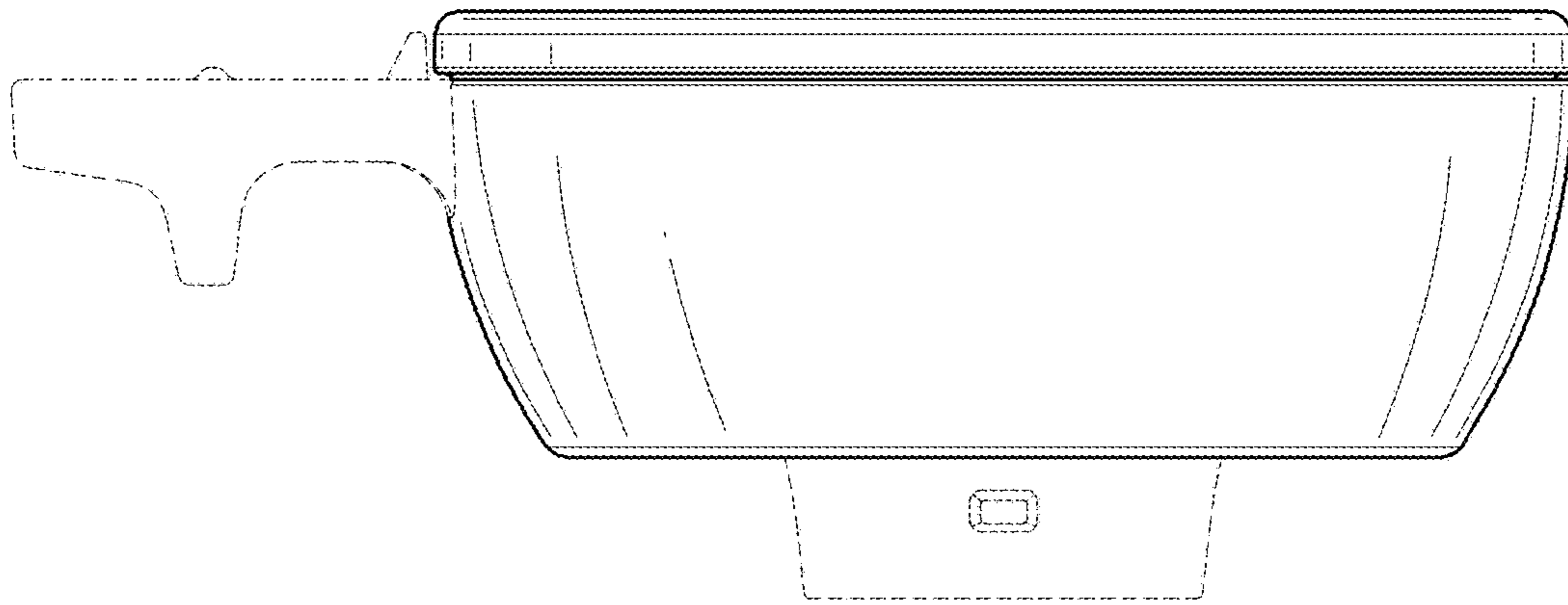


FIG.2

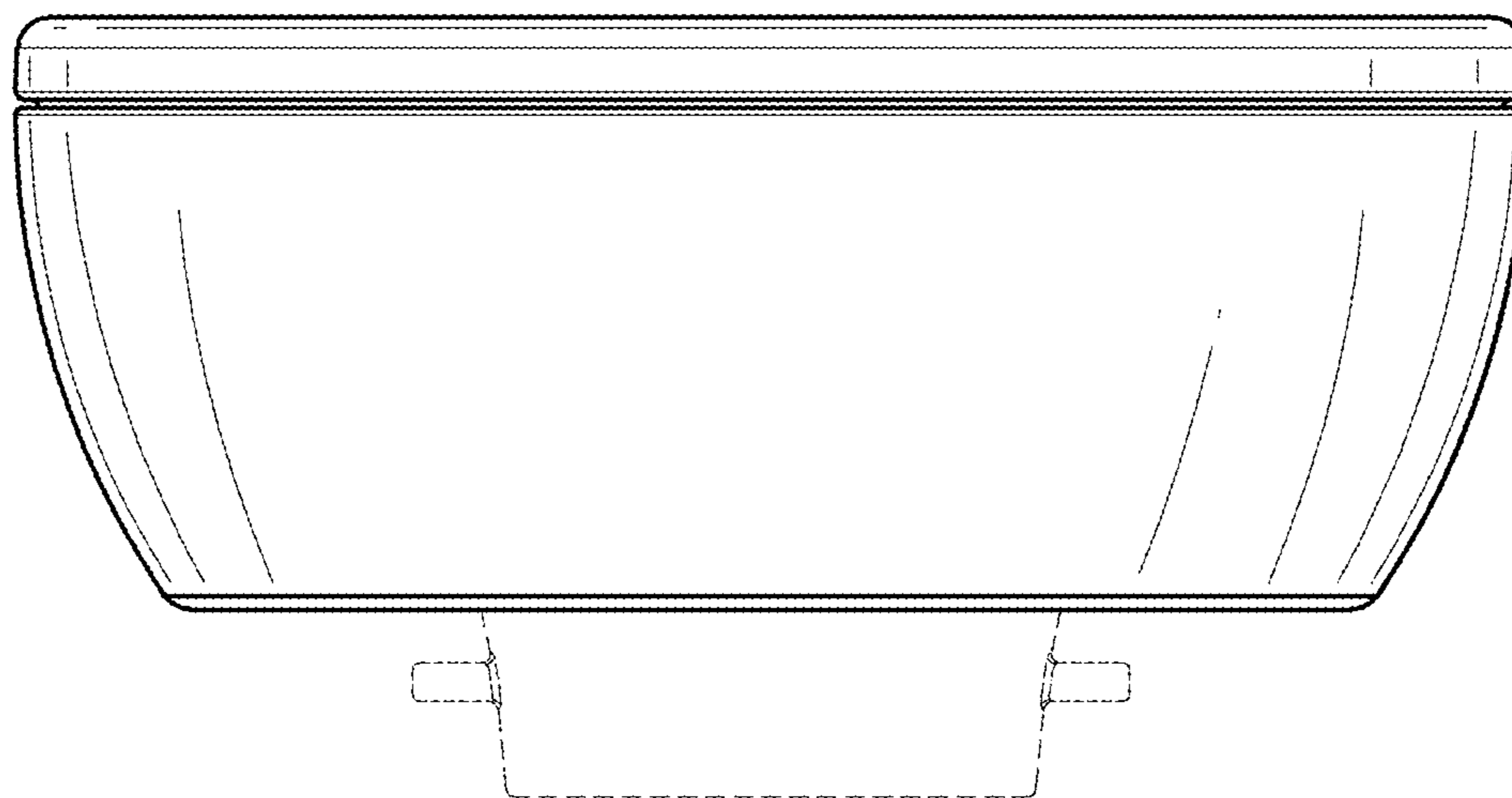


FIG.3

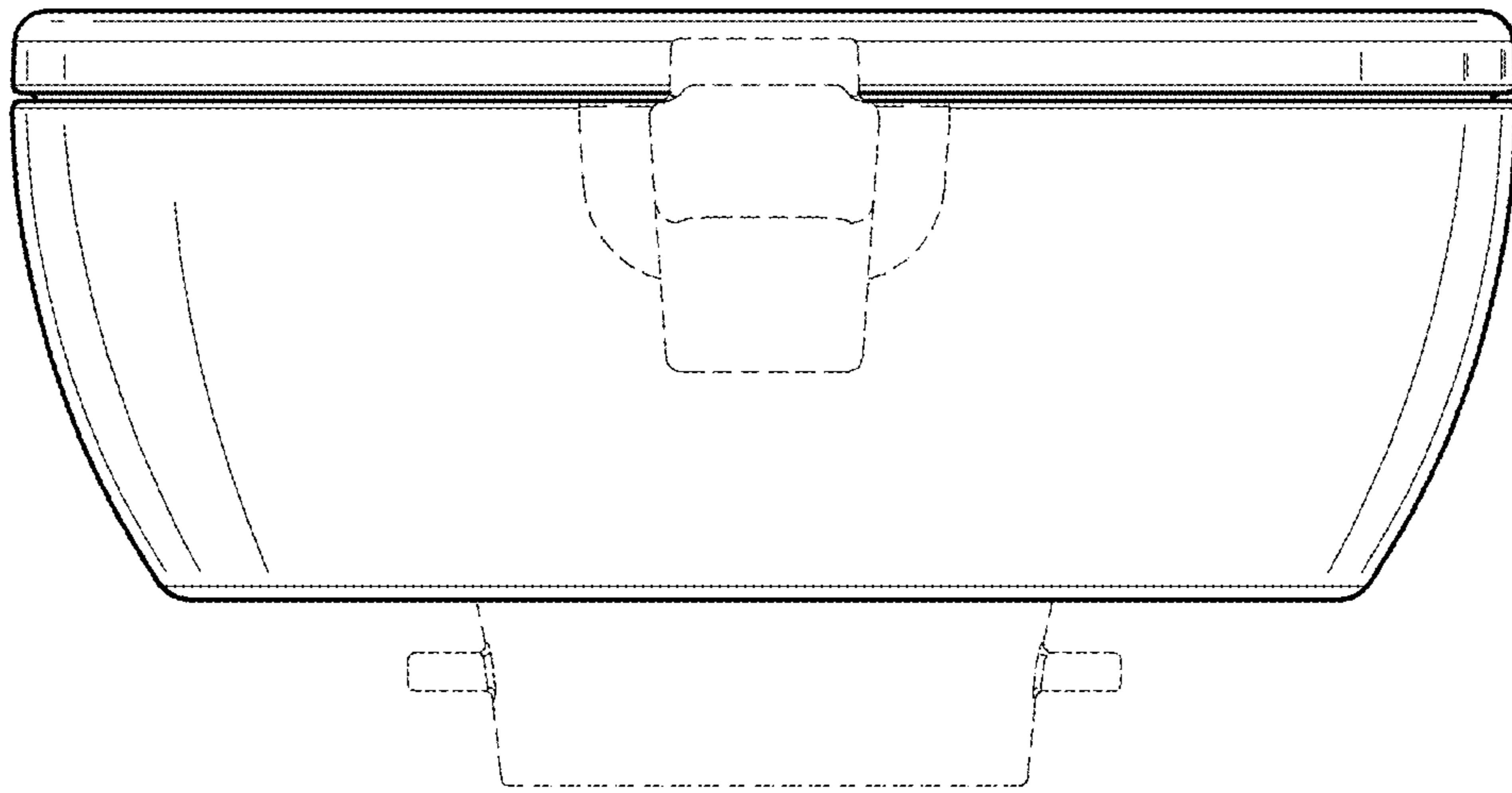


FIG.4

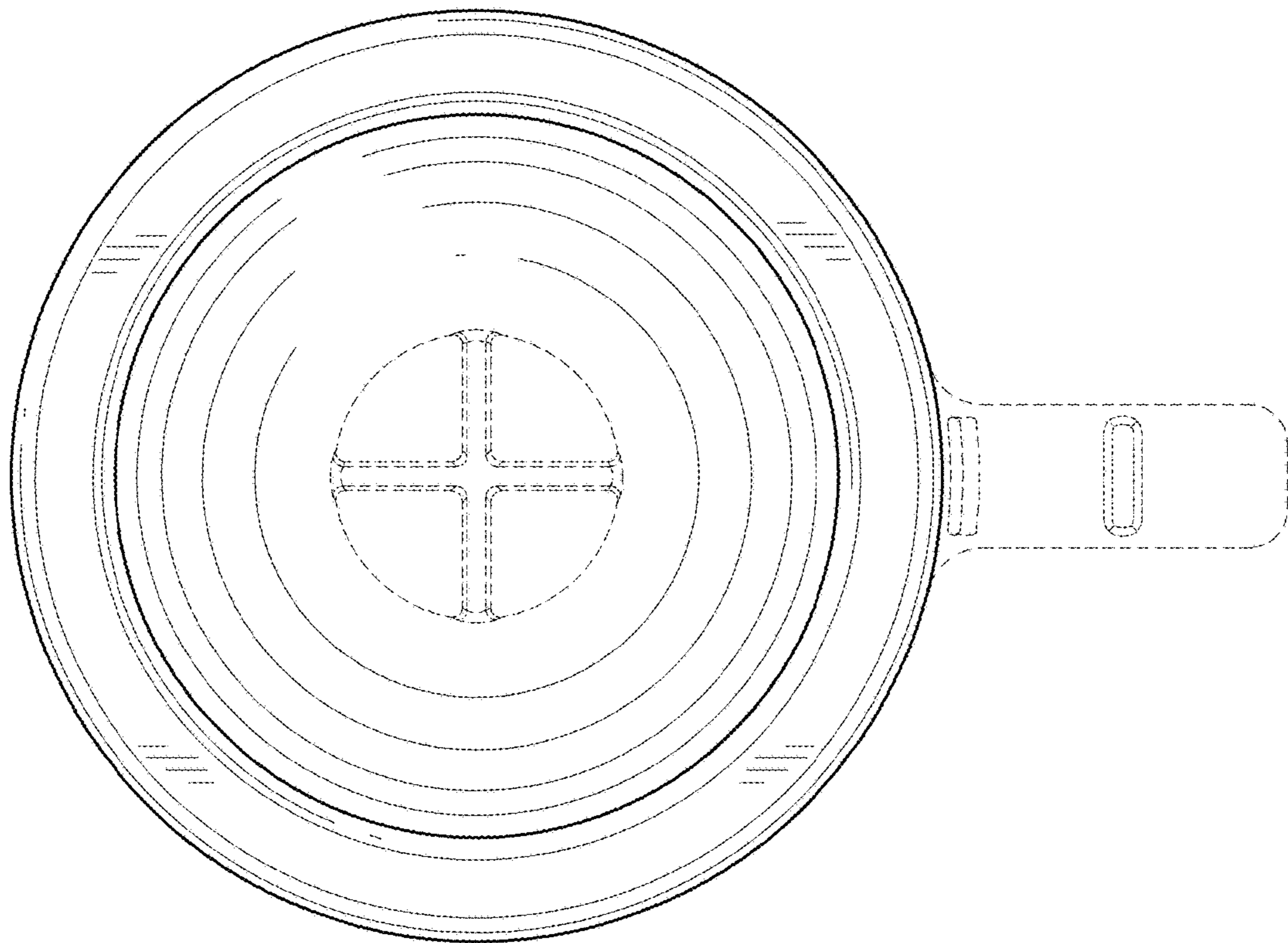


FIG.5

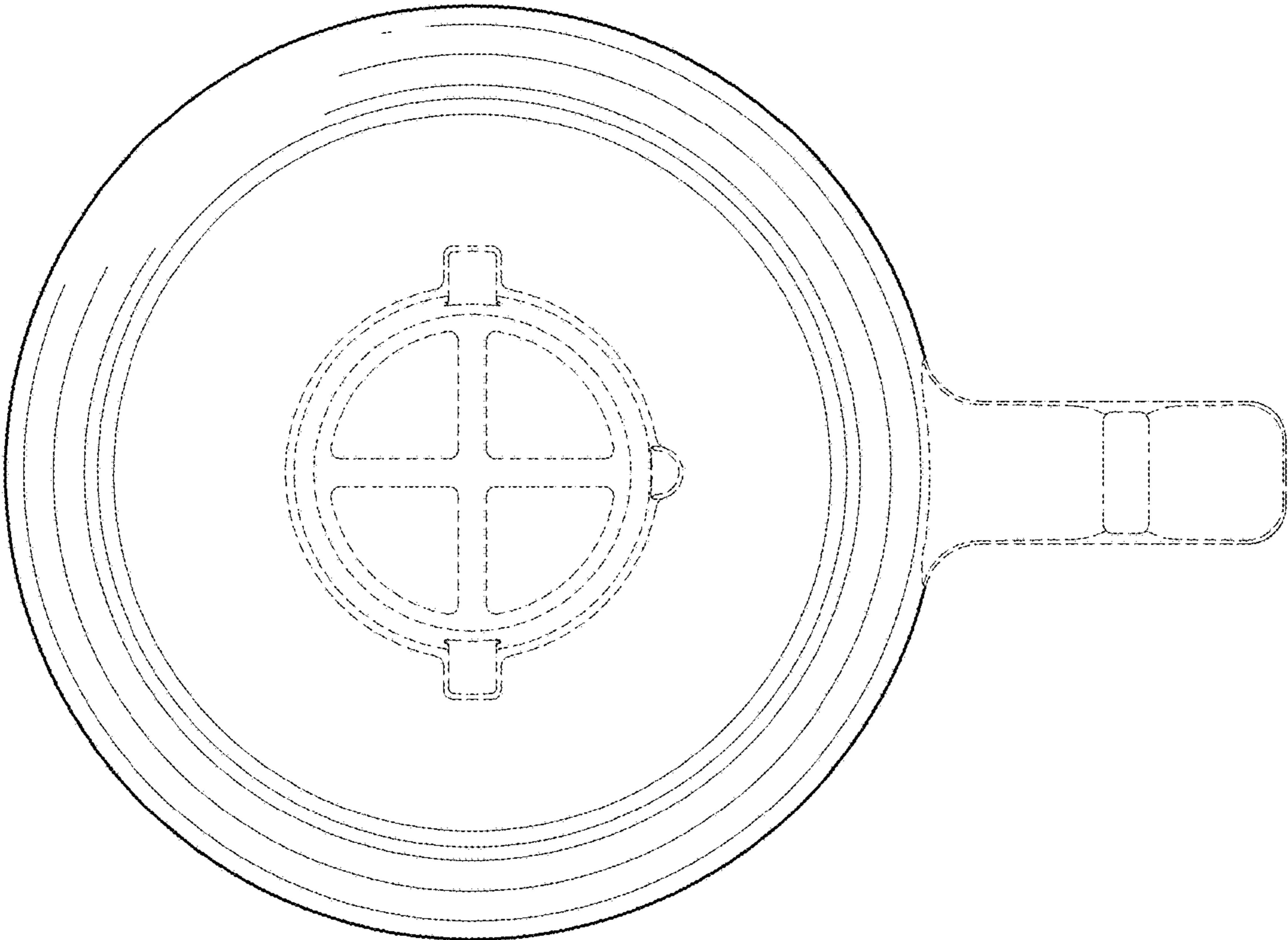


FIG.6

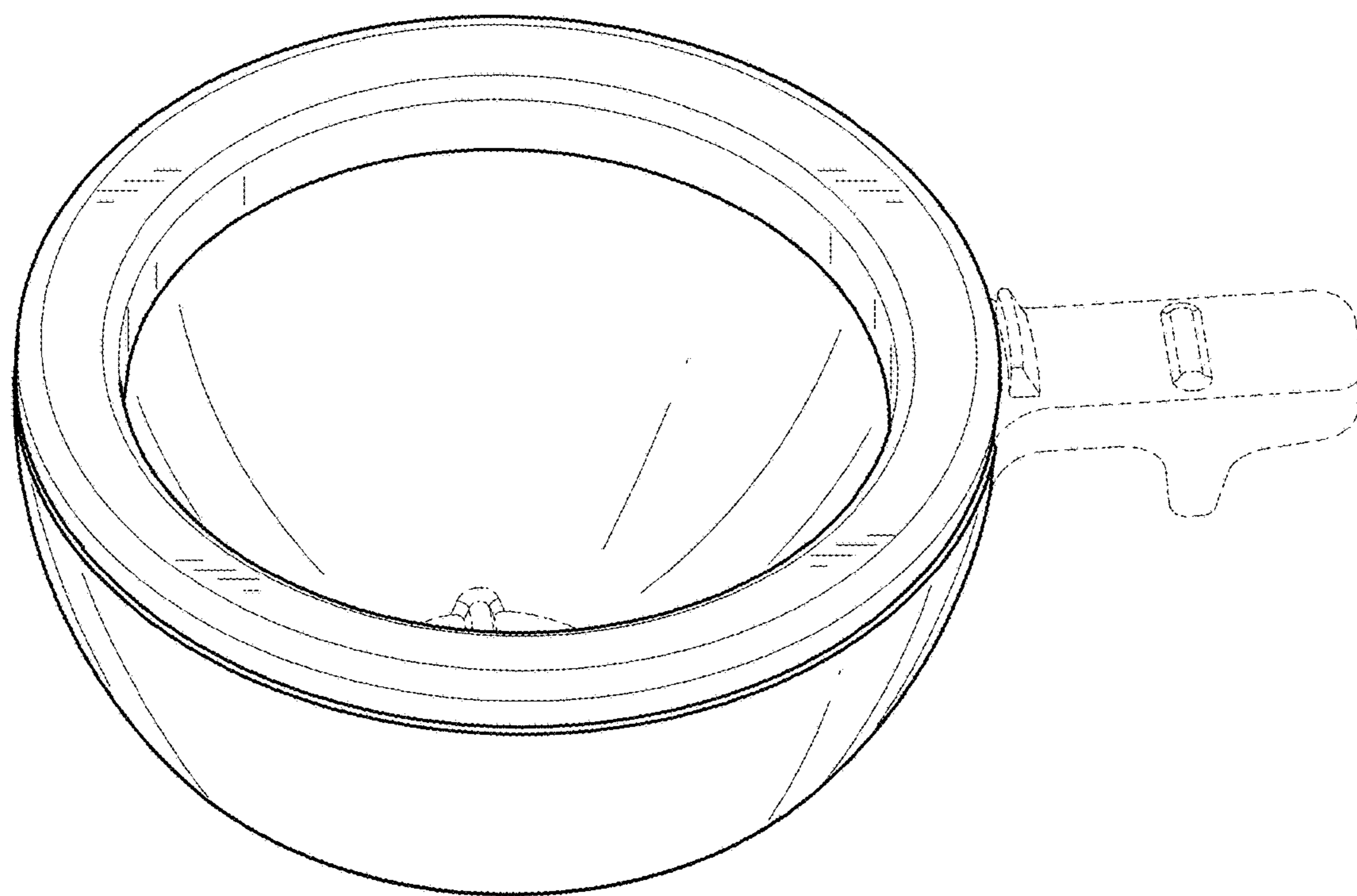


FIG.7

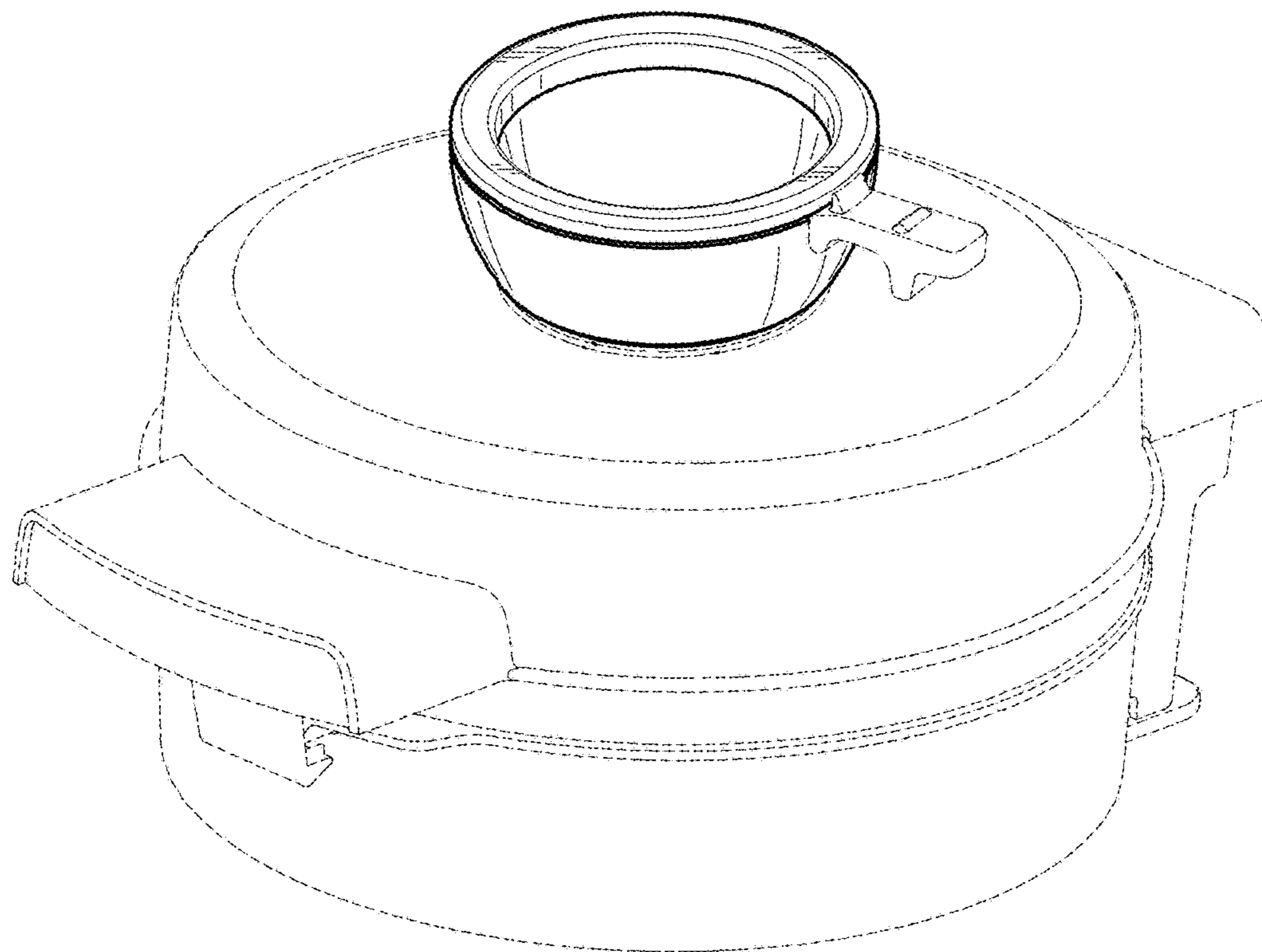


FIG.8

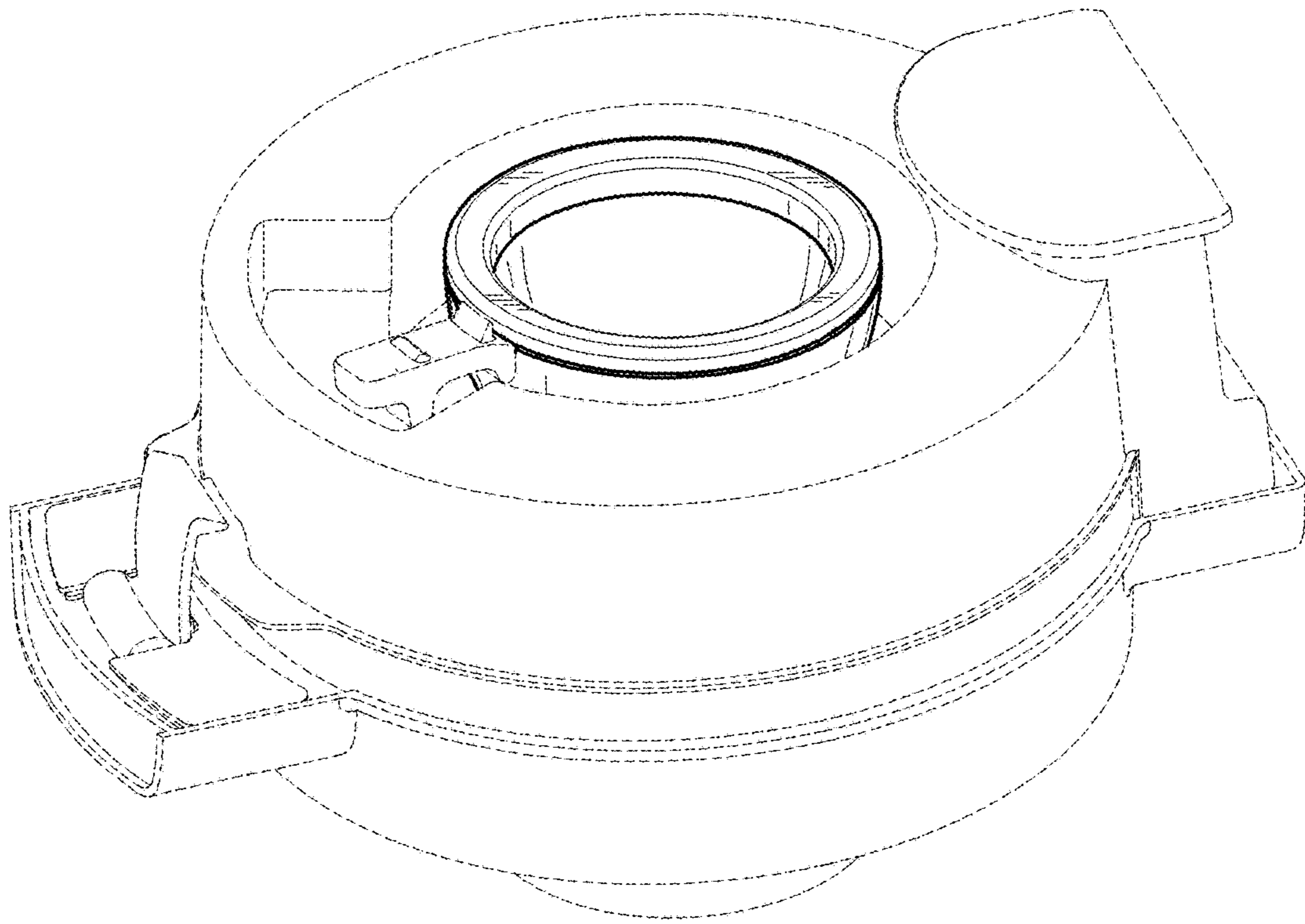


FIG.9