



US00D828760S

(12) **United States Design Patent** (10) **Patent No.:** **US D828,760 S**  
**Caly** (45) **Date of Patent:** **\*\* Sep. 18, 2018**

- (54) **TOMATO-SHAPED CONTAINER**
- (71) Applicant: **VACO PAK INDUSTRIES LTD.,**  
Yahud (IL)
- (72) Inventor: **Roy Caly, Kibbutz Yakum (IL)**
- (73) Assignee: **VACO PAK INDUSTRIES LTD.,**  
Yahud (IL)
- (\*\*) Term: **15 Years**
- (21) Appl. No.: **29/599,916**
- (22) Filed: **Apr. 7, 2017**
- (51) **LOC (11) Cl.** ..... **09-01**
- (52) **U.S. Cl.**  
USPC ..... **D9/644; D9/426**
- (58) **Field of Classification Search**  
USPC ..... D3/270, 271.1-271.4; D7/509-511,  
D7/514-521, 576-577, 594, 599, 604,  
D7/613, 619.2, 623, 628, 392.1; D9/600,  
D9/643-647, 500-516, 523, 529,  
D9/544-547, 414-434; 206/457, 459.5,  
206/527; 215/381-384, 400  
CPC .... B65D 5/4258; B65D 81/60; B65D 81/365;  
B65D 81/366; B65D 81/368; B65D  
2203/00; B65D 2203/02; B65D 85/34  
See application file for complete search history.

(56) **References Cited**

**U.S. PATENT DOCUMENTS**

- D132,918 S \* 6/1942 Temple ..... D9/646
- D193,690 S \* 9/1962 Hayes ..... D9/645
- D273,652 S \* 5/1984 Lederman ..... D7/539
- D299,992 S \* 2/1989 Michel ..... D9/645
- D334,865 S \* 4/1993 Munch ..... D7/354
- D418,022 S \* 12/1999 Hansen ..... D9/646
- D420,915 S \* 2/2000 Reidenbach ..... D9/645
- D489,254 S \* 5/2004 Kocis ..... D9/418

- D556,569 S \* 12/2007 Stein ..... D9/424
- D562,082 S \* 2/2008 Ehrenhaus ..... D7/628
- D582,158 S \* 12/2008 Nathanson ..... D3/271.1
- D611,776 S \* 3/2010 Yung ..... D7/628
- D650,244 S \* 12/2011 Abrams ..... D7/628
- D666,460 S \* 9/2012 Kolano ..... D7/628
- D690,603 S \* 10/2013 Macaulay ..... D9/516
- 2016/0325891 A1 \* 11/2016 Lam ..... B65D 43/16

**OTHER PUBLICATIONS**

Tomato Shaped Massage cream, dated Sep. 21, 2013. <https://kakabeautyblog.com/2013/09/21/tony-moly-tomatox-magic-massage-pack-review/>.\*

\* cited by examiner

*Primary Examiner* — Sandra L Morris

(74) *Attorney, Agent, or Firm* — Roach Brown McCarthy & Gruber, P.C.; Kevin D. McCarthy

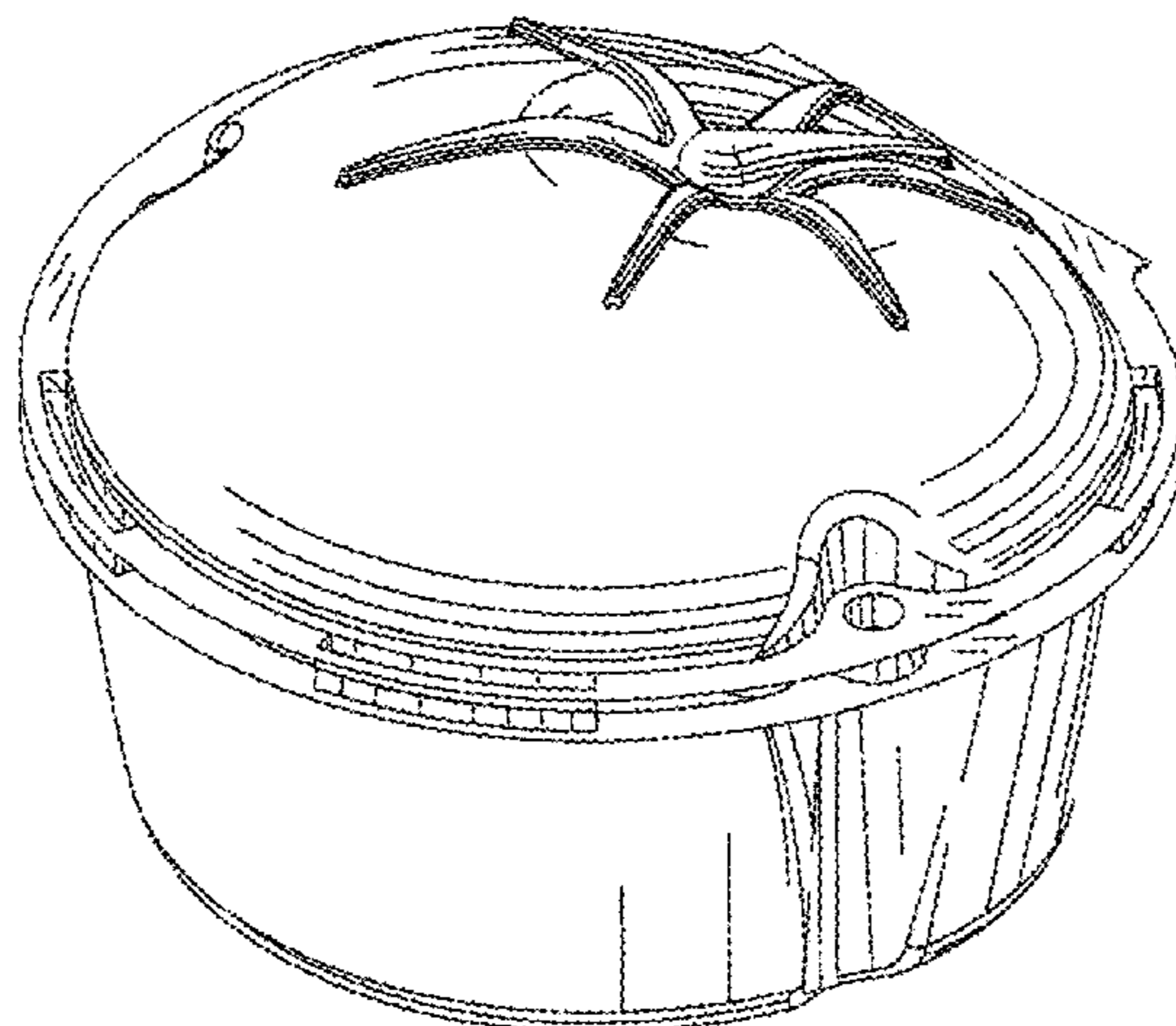
(57) **CLAIM**

The ornamental design for a tomato-shaped container, as shown and described.

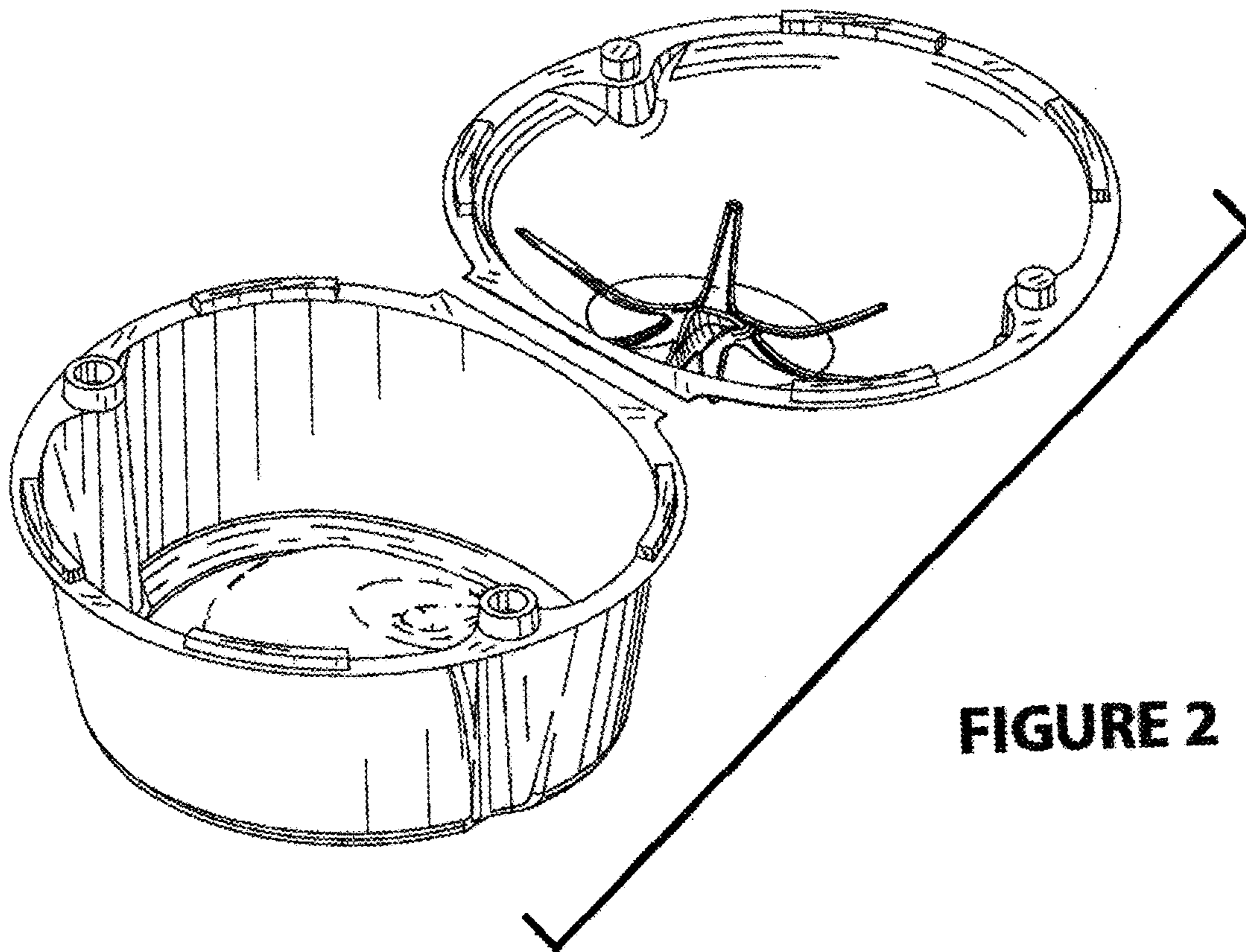
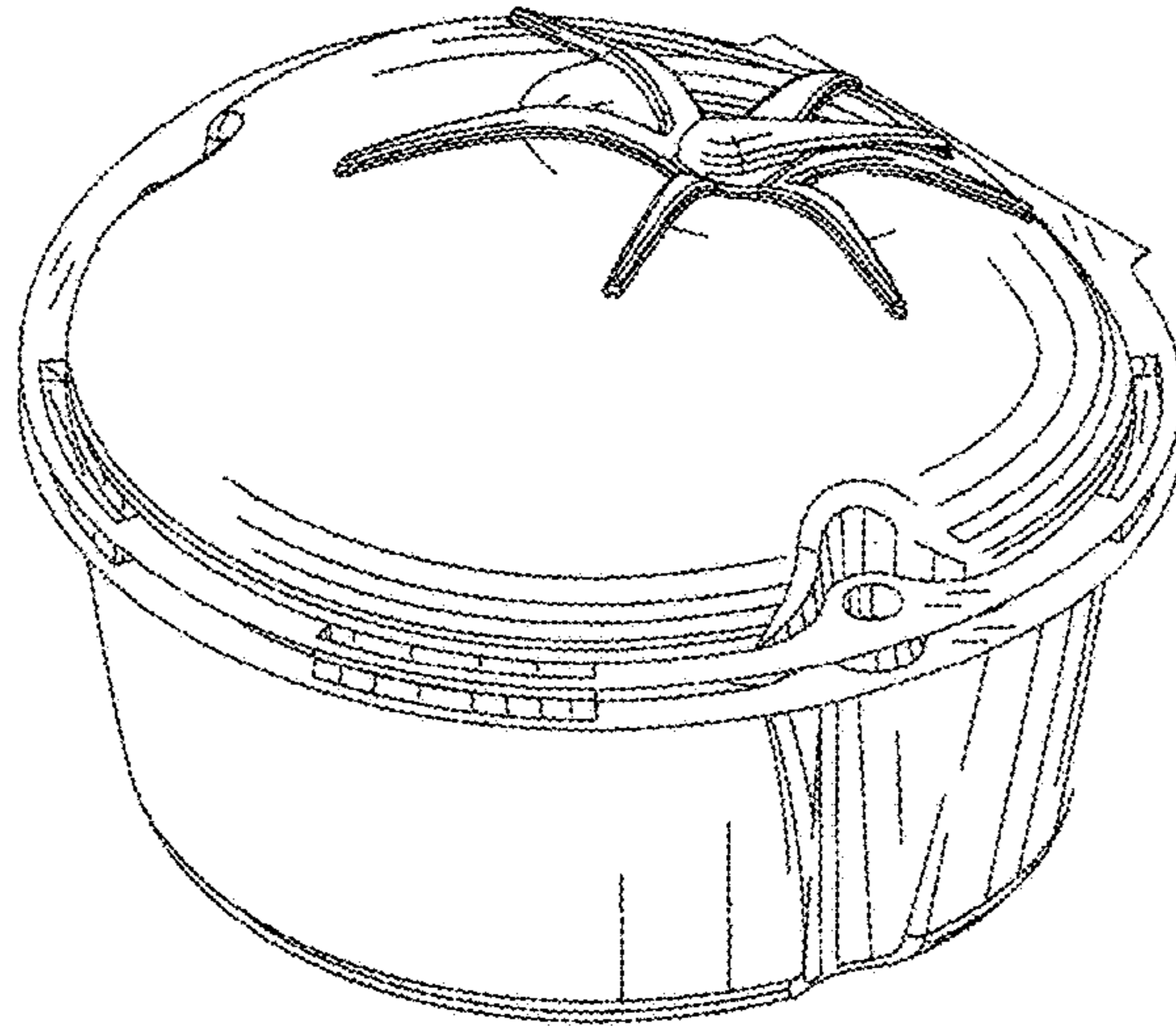
**DESCRIPTION**

FIG. 1 is an isometric view of a tomato-shaped container of the applicant's design;  
 FIG. 2 is a view of FIG. 1 with the top section flipped open thereof;  
 FIG. 3 is a top view of FIG. 1;  
 FIG. 4 is a bottom view of FIG. 1;  
 FIG. 5 is a back view of FIG. 1;  
 FIG. 6 is a front view of FIG. 1;  
 FIG. 7 is a left side view of FIG. 1; and,  
 FIG. 8 is a right side view of FIG. 1.  
 The broken lines in FIGS. 2 and 4 are included for the purpose of illustrating a portion of the bottom that forms no part of the claimed invention.

**1 Claim, 4 Drawing Sheets**

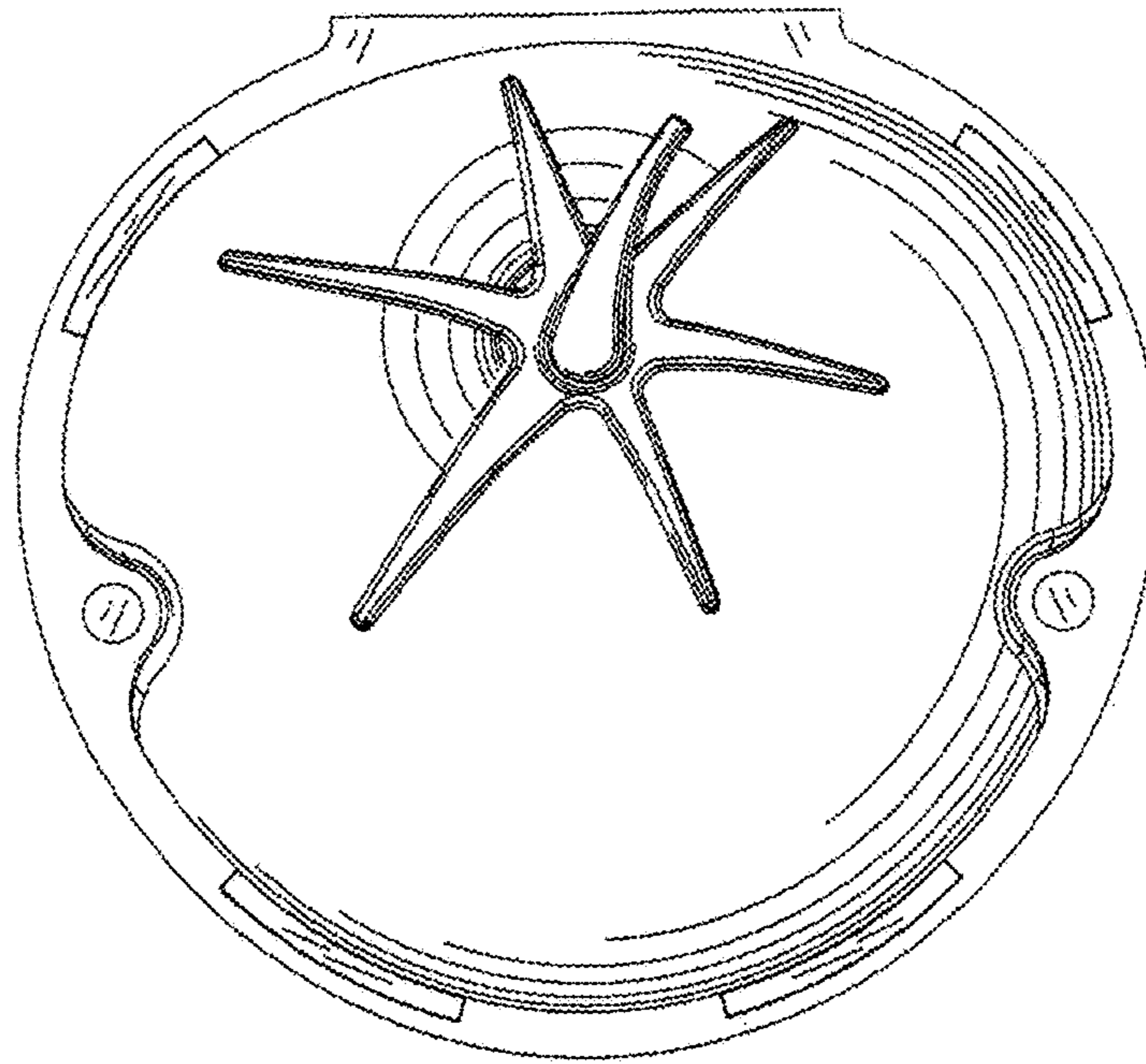


**FIGURE 1**

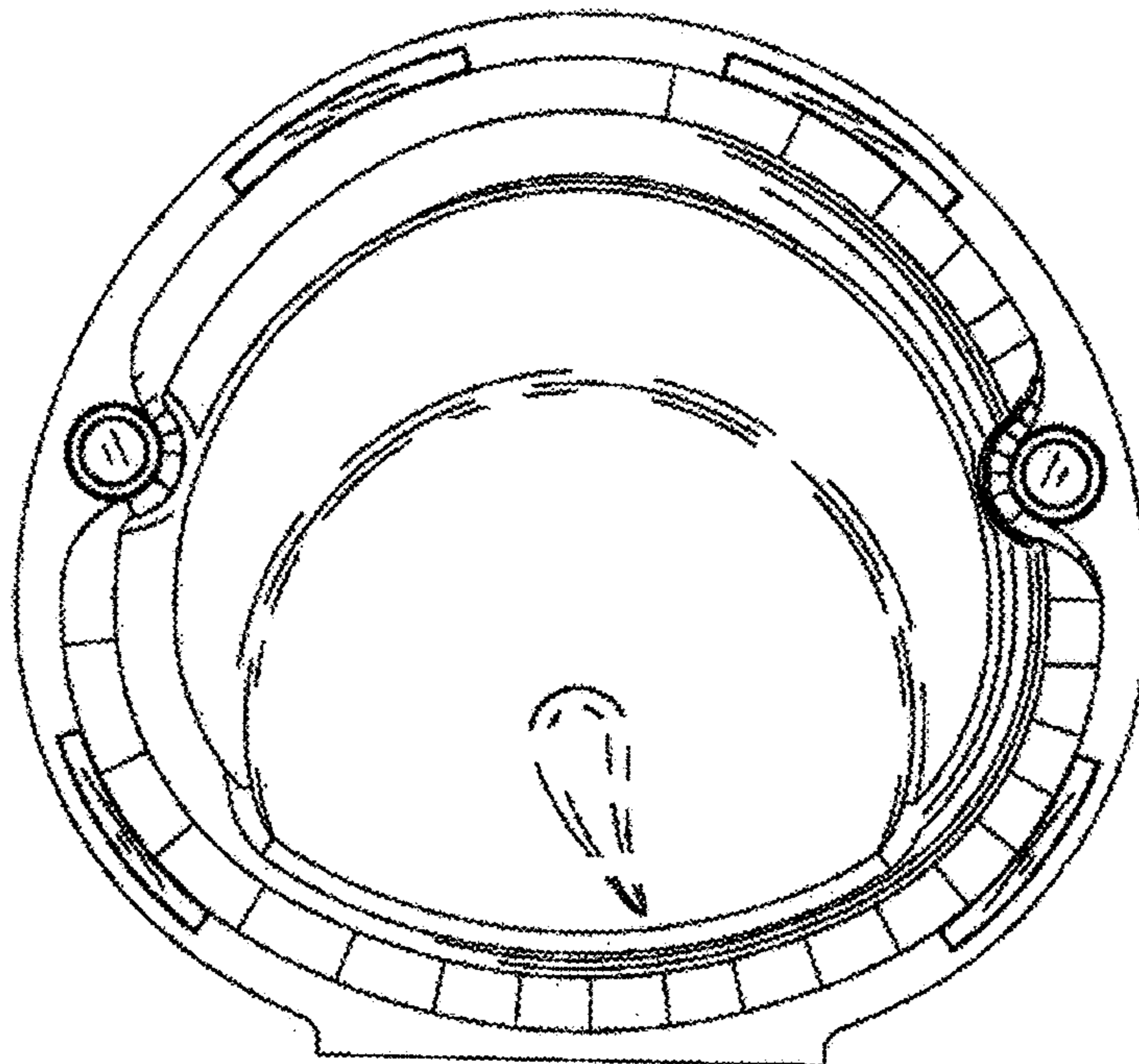


**FIGURE 2**

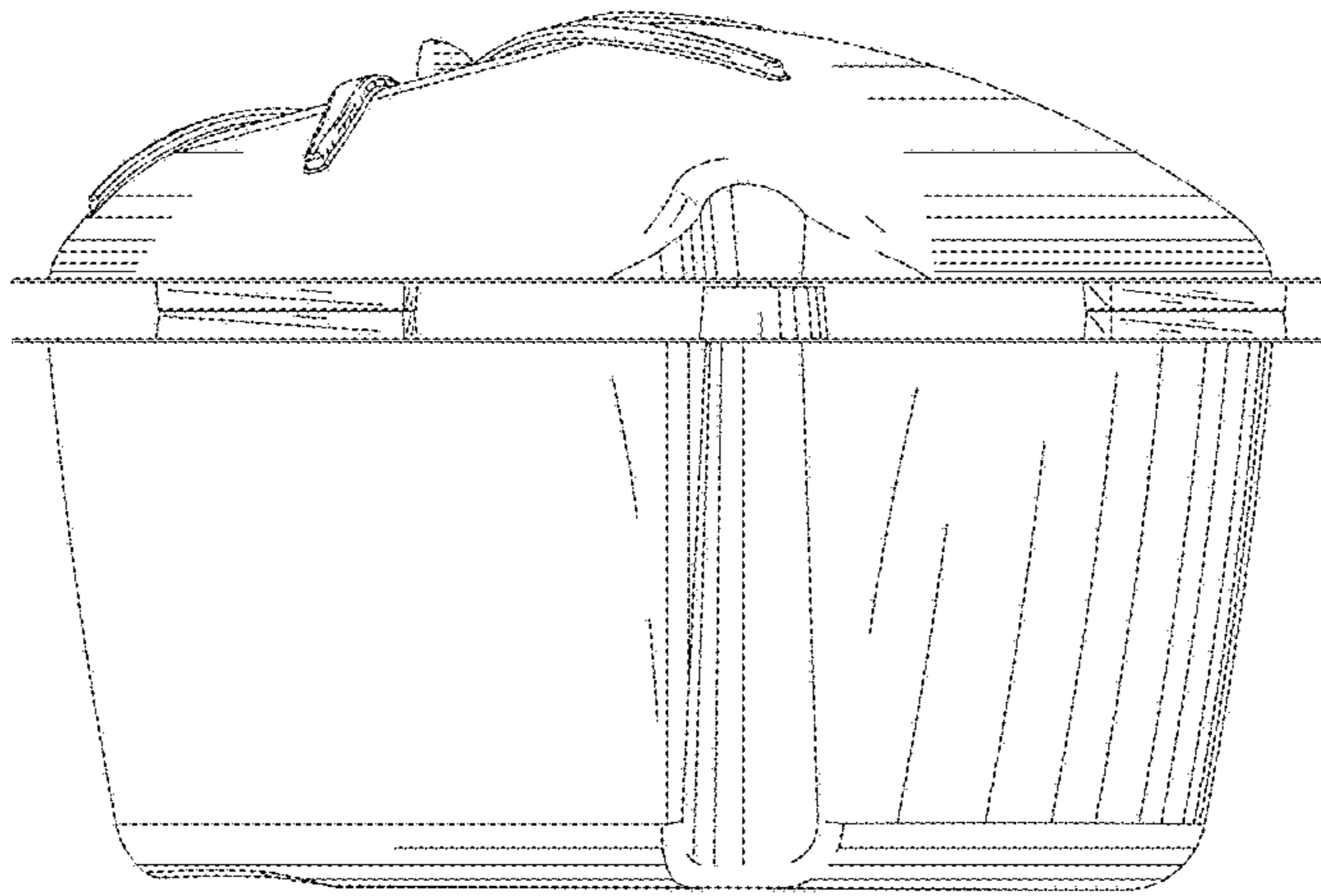
**FIGURE 3**



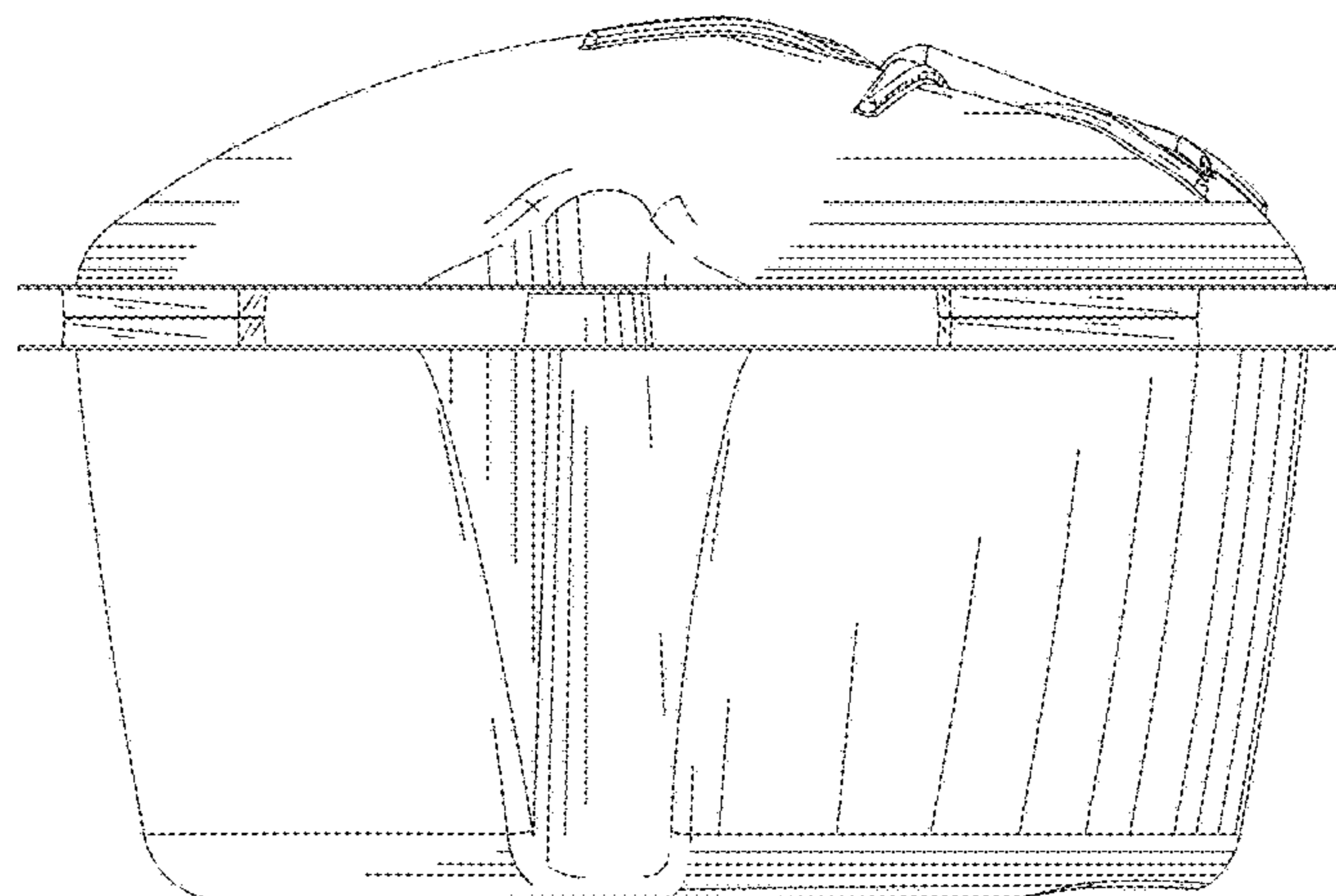
**FIGURE 4**



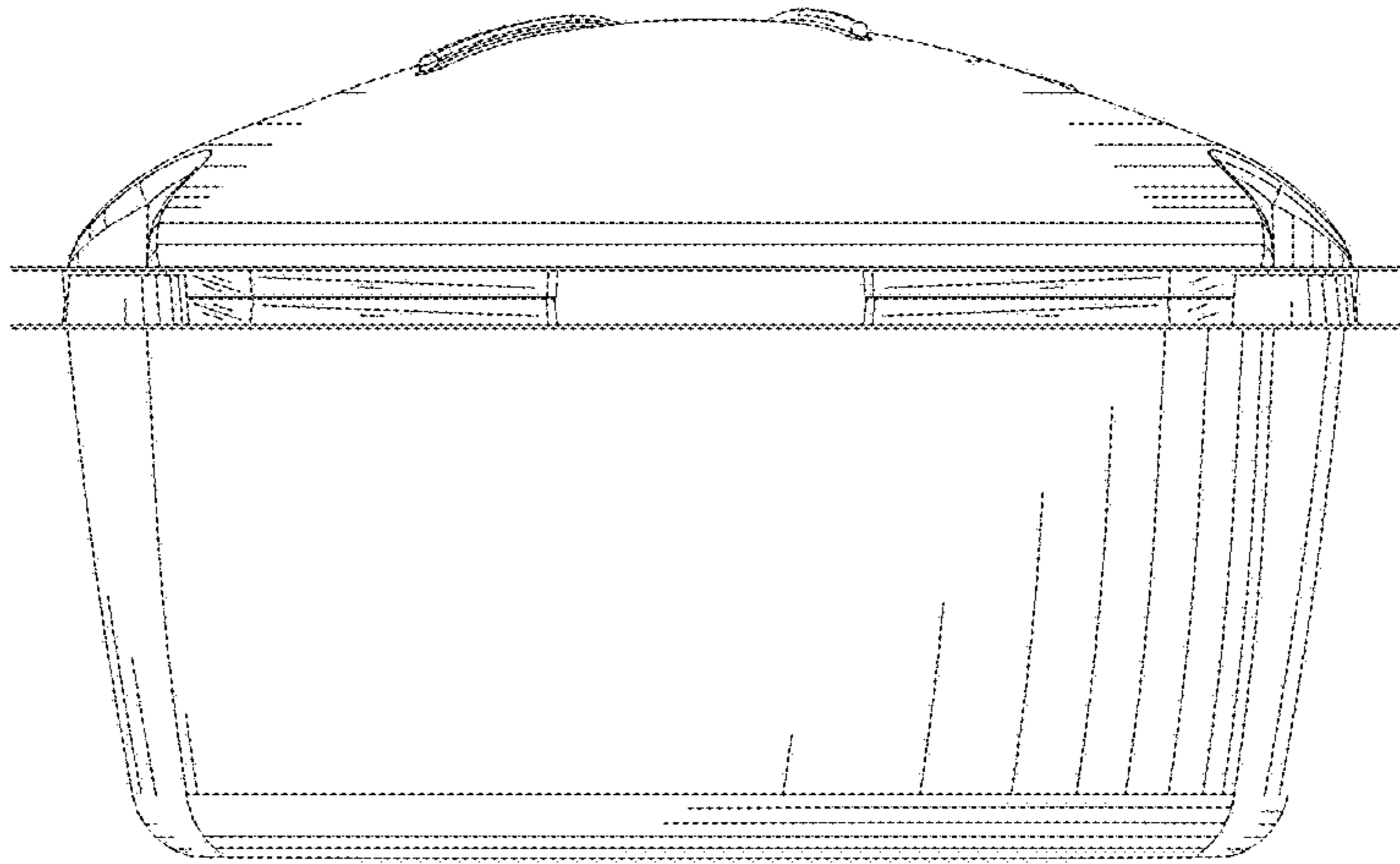
**FIGURE 5**



**FIGURE 6**



**FIGURE 7**



**FIGURE 8**

