



US00D828757S

(12) **United States Design Patent**
Sawicki et al.

(10) **Patent No.:** **US D828,757 S**

(45) **Date of Patent:** **** Sep. 18, 2018**

(54) **BOTTLE**

(71) Applicant: **TricorBraun Inc.**, St. Louis, MO (US)

(72) Inventors: **Craig Sawicki**, Roselle, IL (US);
Samantha Juna, Carol Stream, IL (US)

(73) Assignee: **Tricorbraun Inc.**, St. Louis, MO (US)

(**) Term: **15 Years**

(21) Appl. No.: **29/582,388**

(22) Filed: **Oct. 27, 2016**

(51) **LOC (11) Cl.** **09-01**

(52) **U.S. Cl.**
USPC **D9/560**

(58) **Field of Classification Search**

USPC D9/434-435, 439, 447, 449, 450, 452,
D9/454, 516, 520, 522-524, 528-531,
D9/541-544, 549-551, 558-560, 563,
D9/565-566, 571-575, 682, 686, 687,
D9/693-694, 715, 719; D7/300, 300.1,
D7/316, 317, 598, 591, 596; D23/211,
D23/225

CPC B65D 23/00; B65D 21/0237; B65D
2501/0009; B65D 2501/0081; B65D 1/00;
B65D 1/02; B65D 1/12; B65D 1/18;
B65D 1/20; B65D 1/0223

See application file for complete search history.

(56) **References Cited**

U.S. PATENT DOCUMENTS

890,304 A * 6/1908 Rosenberg A47G 19/24
222/142.6
4,966,479 A * 10/1990 Idec A45D 40/04
132/320
D347,764 S * 6/1994 Cohen D7/591
D382,167 S * 8/1997 Husted D7/679

(Continued)

FOREIGN PATENT DOCUMENTS

EM 001938861-001 * 10/2011

OTHER PUBLICATIONS

White Interlocking Hearts Salt and Pepper Shakers. Online, published date unknown. Retrieved on Sep. 18, 2017 from URL: <https://weddingshop.theknot.com/product/heart-to-heart-interlocking-salt-and-pepper-shakers>.*

Primary Examiner — Karen S Acker

Assistant Examiner — Omeed Agilee

(74) *Attorney, Agent, or Firm* — Husch Blackwell, LLP

(57) **CLAIM**

We claim the ornamental design for a bottle, as shown and described.

DESCRIPTION

FIG. 1 is a top perspective view of a bottle showing the new design;

FIG. 2 is a front elevation view thereof, with the back, left, and right elevation views being identical to the front elevation view shown in FIG. 2;

FIG. 3 is a top plan view thereof;

FIG. 4 is a bottom plan view thereof;

FIG. 5 is top perspective view thereof, with the cap exploded from the container;

FIG. 6 is a cross-sectional view taken along line 6-6 in FIG. 5; and

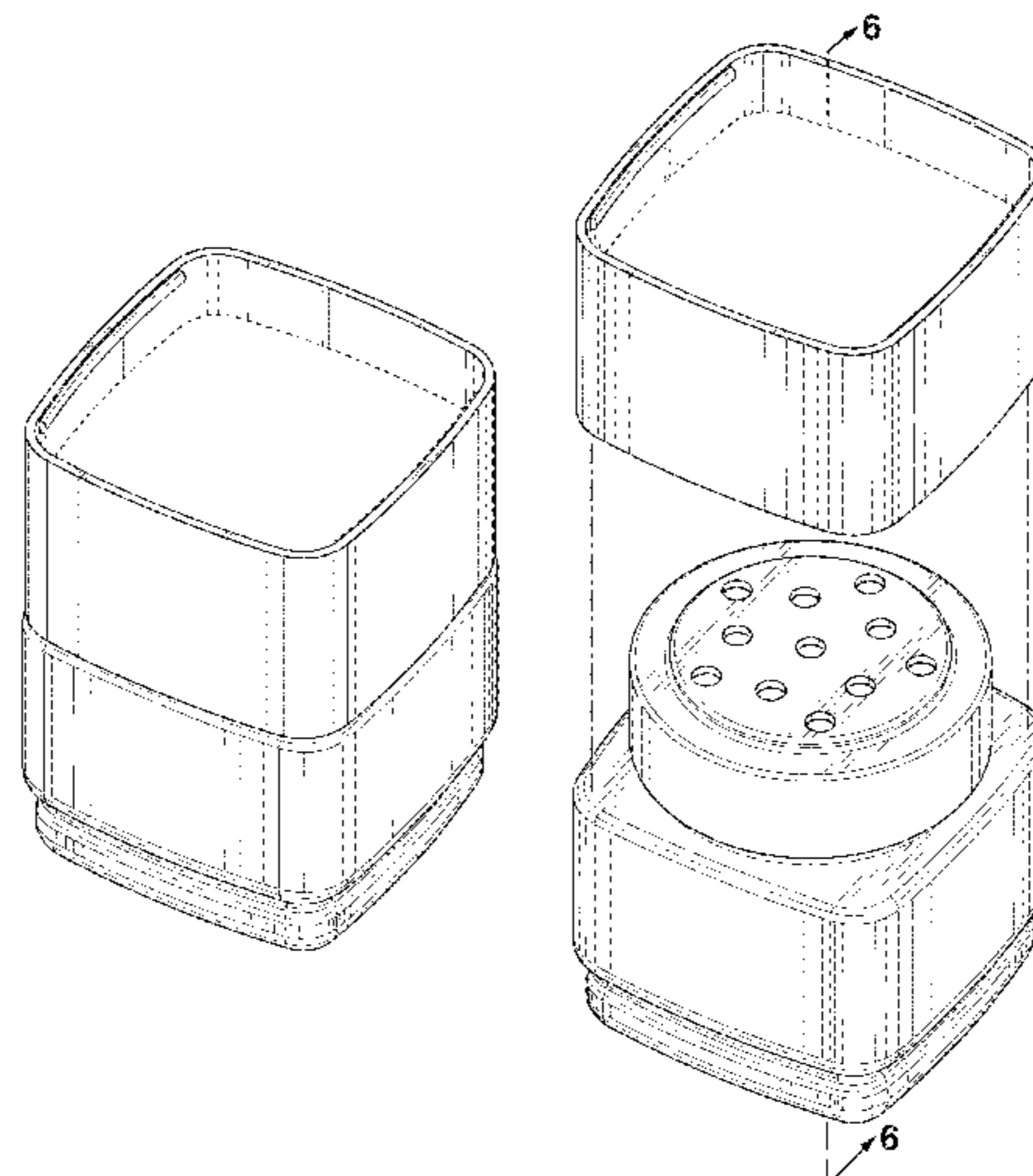
FIG. 7 is a front elevation view thereof, with the cap exploded from the container, where the back, left, and right elevation views being identical to the front elevation view shown in FIG. 7;

FIG. 8 is a top plan view thereof, with the cap exploded from the container; and,

FIG. 9 is a bottom plan view thereof, with the cap exploded from the container.

The evenly spaced broken lines and the areas within the broken lines depict environmental subject matter that forms no part of the claimed design. The dot-dash broken lines shown in FIGS. 5-7 demonstrate the manner of assembly and form no part of the claimed design.

1 Claim, 7 Drawing Sheets



(56)

References Cited

U.S. PATENT DOCUMENTS

5,937,866 A * 8/1999 Magharehi A45D 19/02
132/114
D467,773 S * 12/2002 Wright D7/679
D570,651 S * 6/2008 Lin D7/679
D580,753 S * 11/2008 Liden D9/432
D639,669 S * 6/2011 Adler D9/435
D734,550 S * 7/2015 Schlatter D28/83
D770,296 S * 11/2016 Rothfos D9/432
D777,037 S * 1/2017 Serafin D9/435
D783,404 S * 4/2017 Fromberg D9/560
D789,439 S * 6/2017 Inoue D16/237
D793,223 S * 8/2017 Minoli D9/415
2013/0341329 A1 * 12/2013 Adler G09F 3/0289
220/288

* cited by examiner

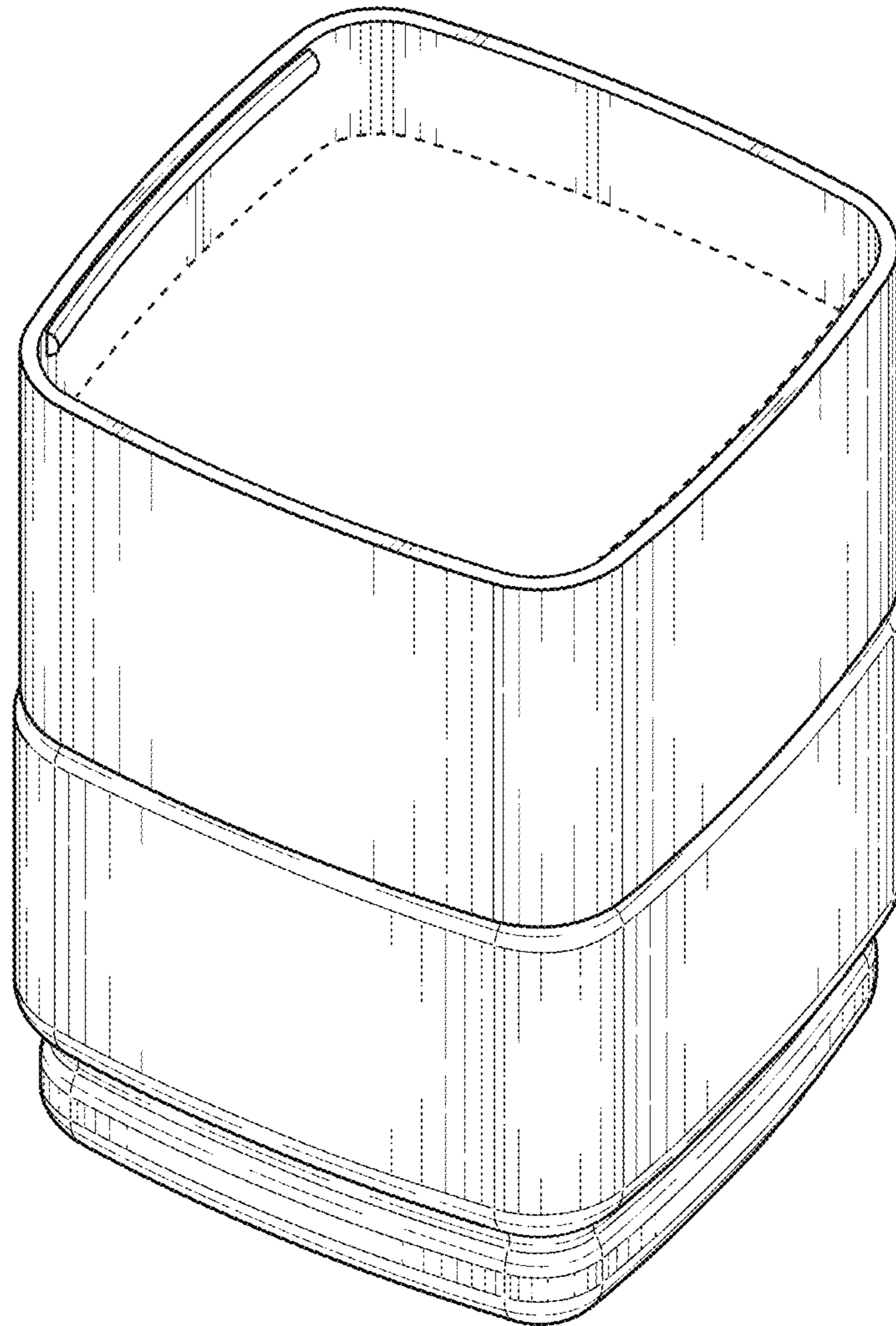


FIG. 1

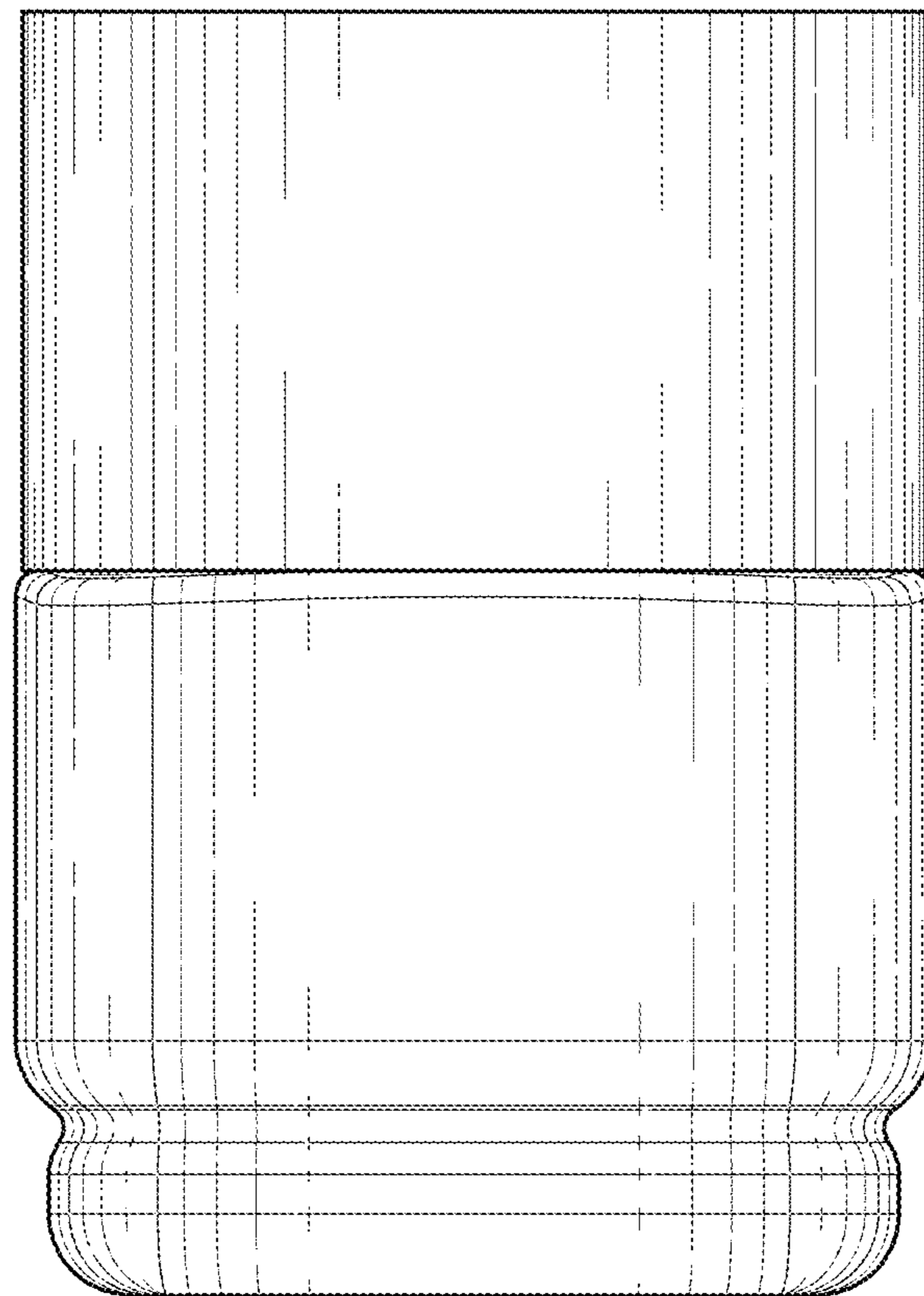


FIG. 2

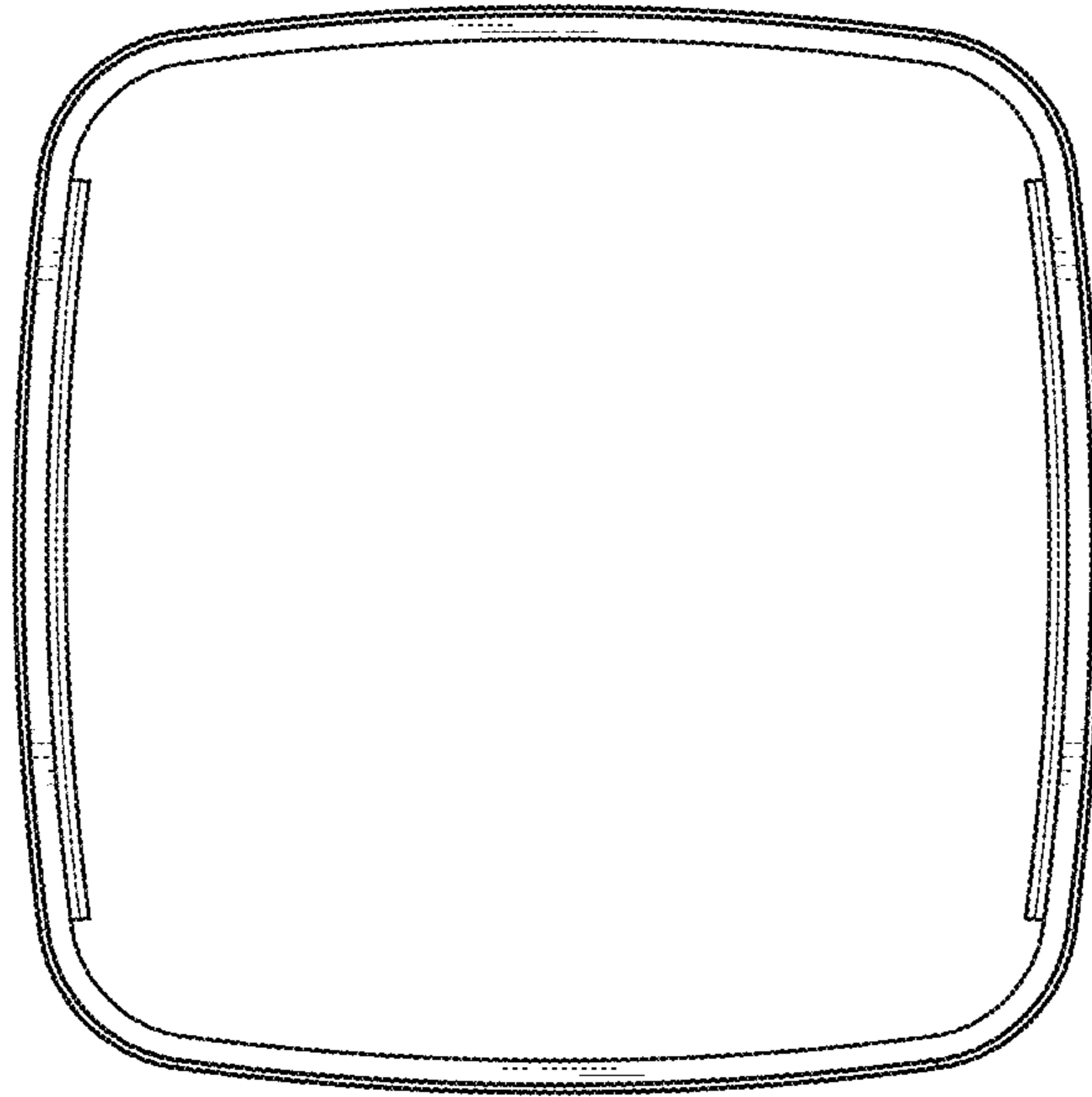


FIG. 3

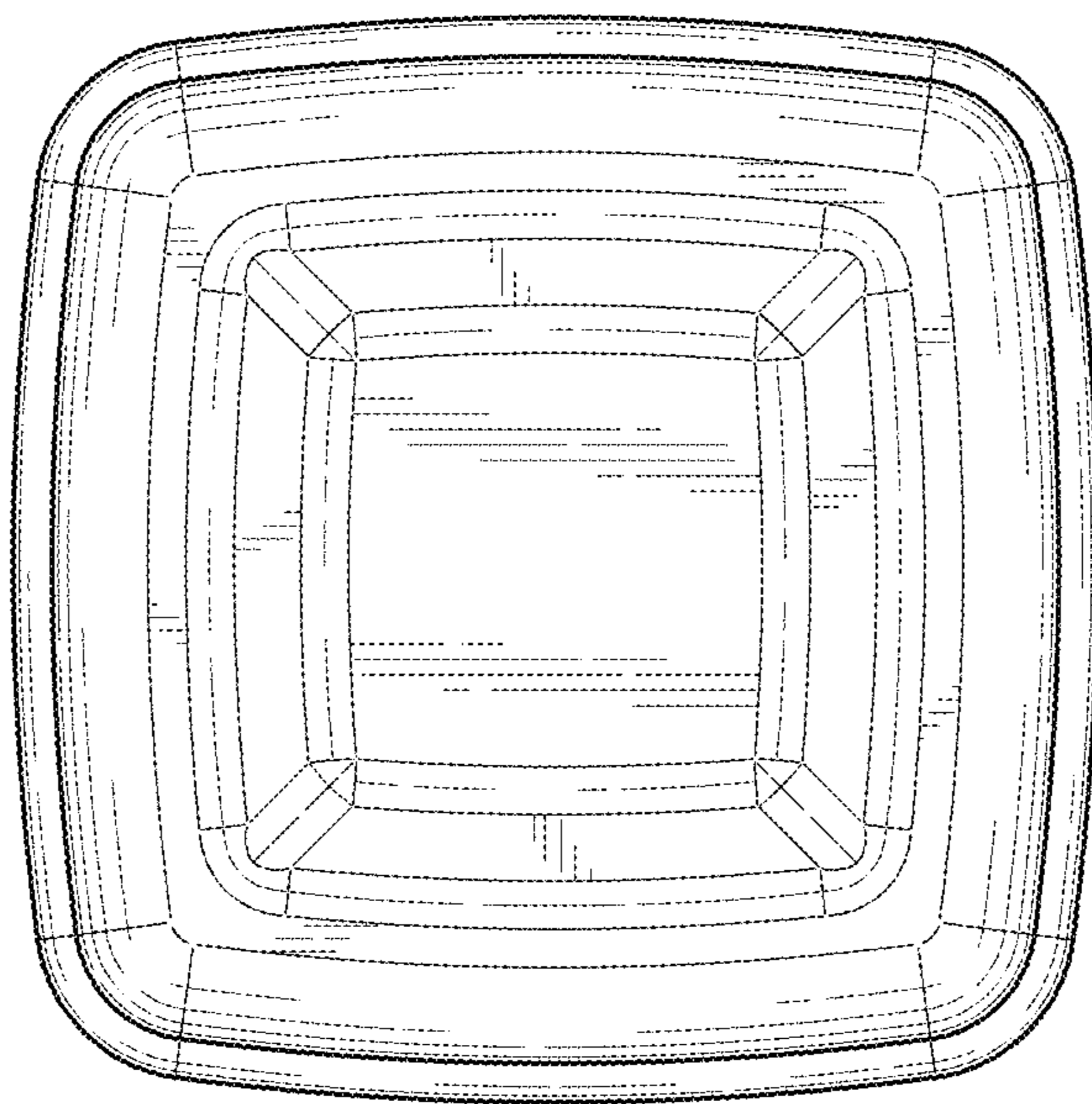


FIG. 4

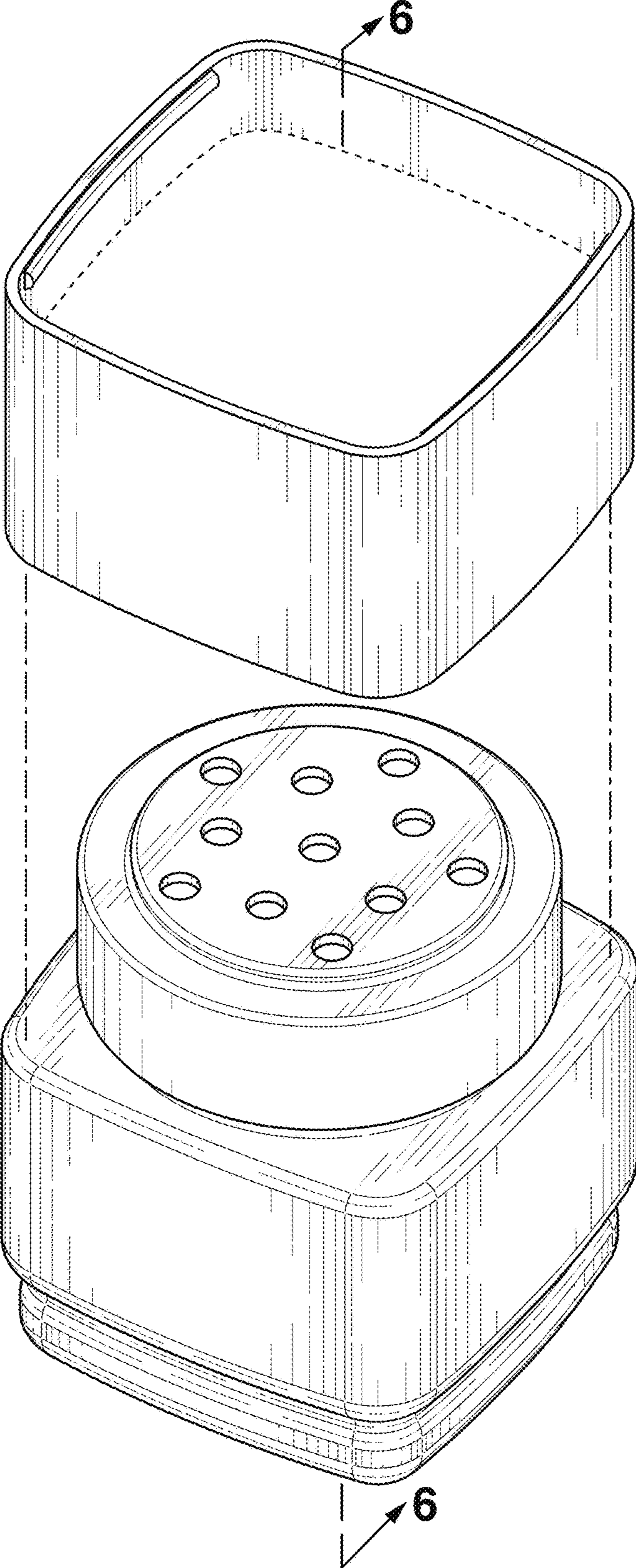


FIG. 5

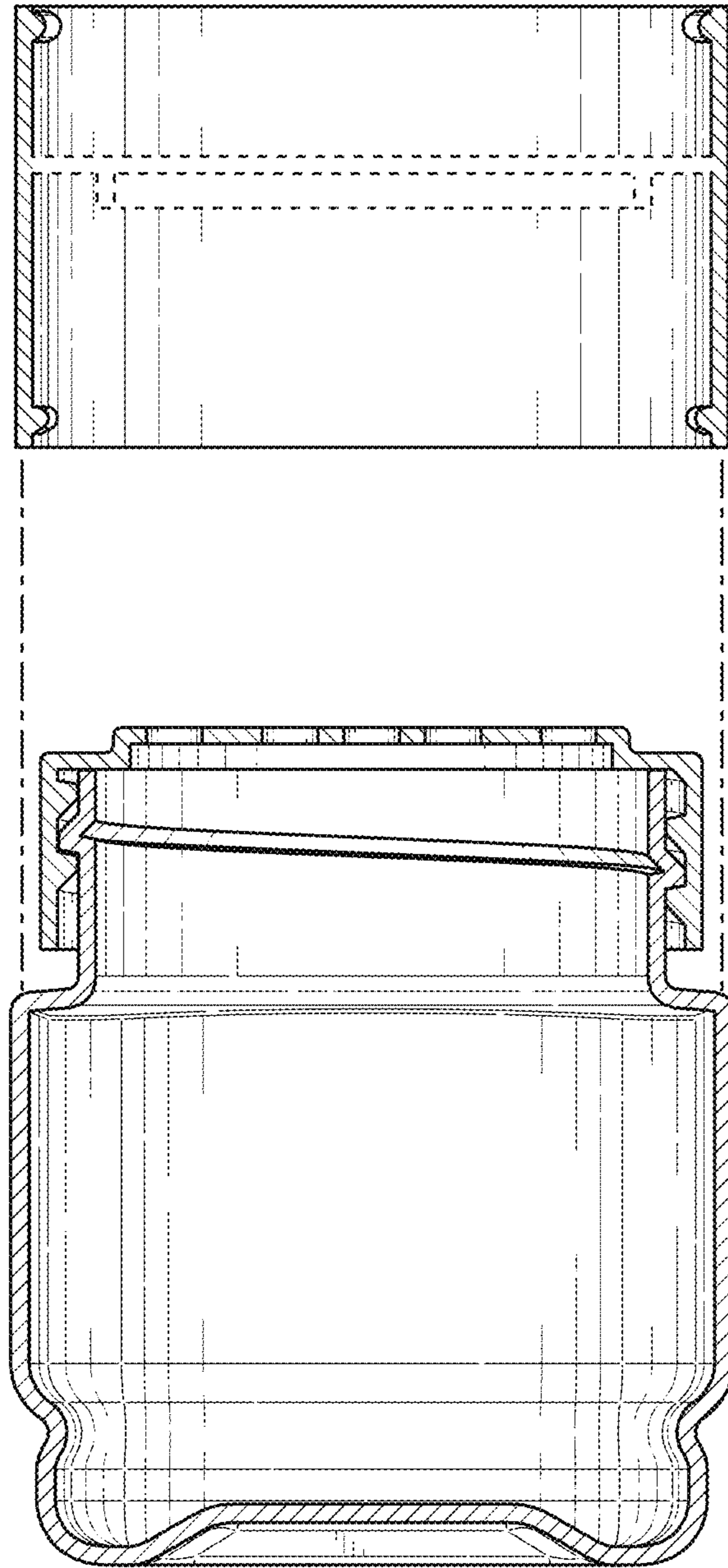


FIG. 6

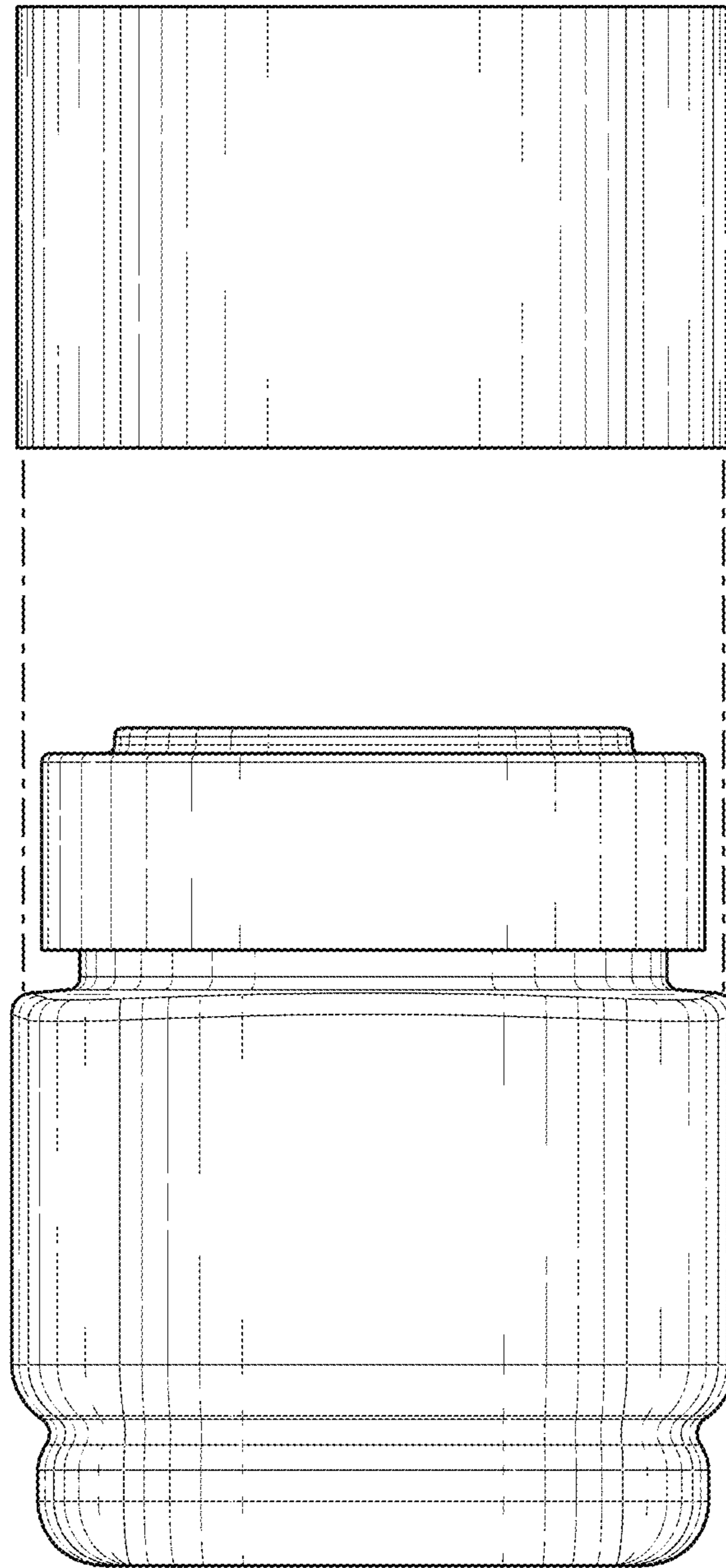


FIG. 7

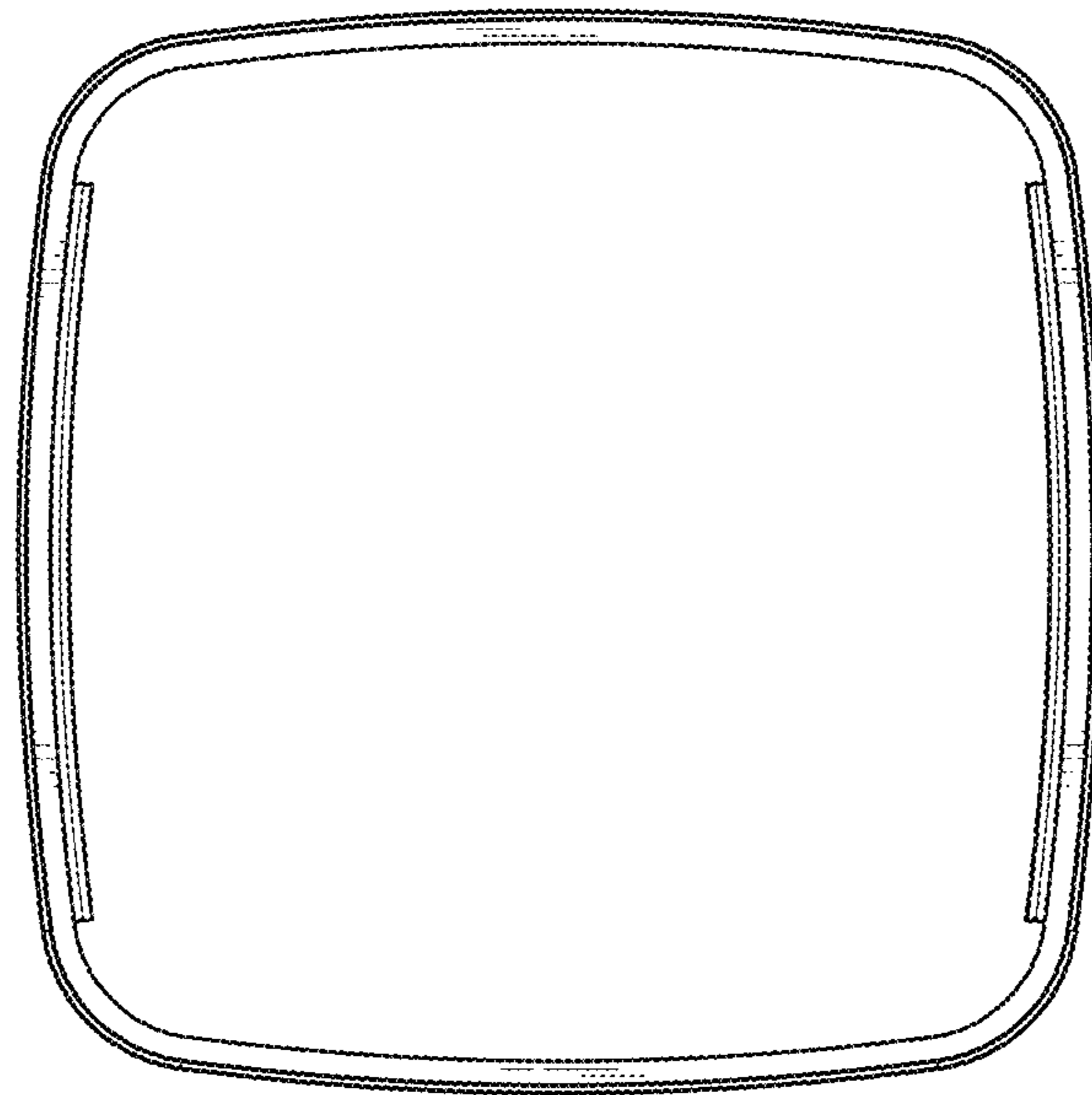


FIG. 8

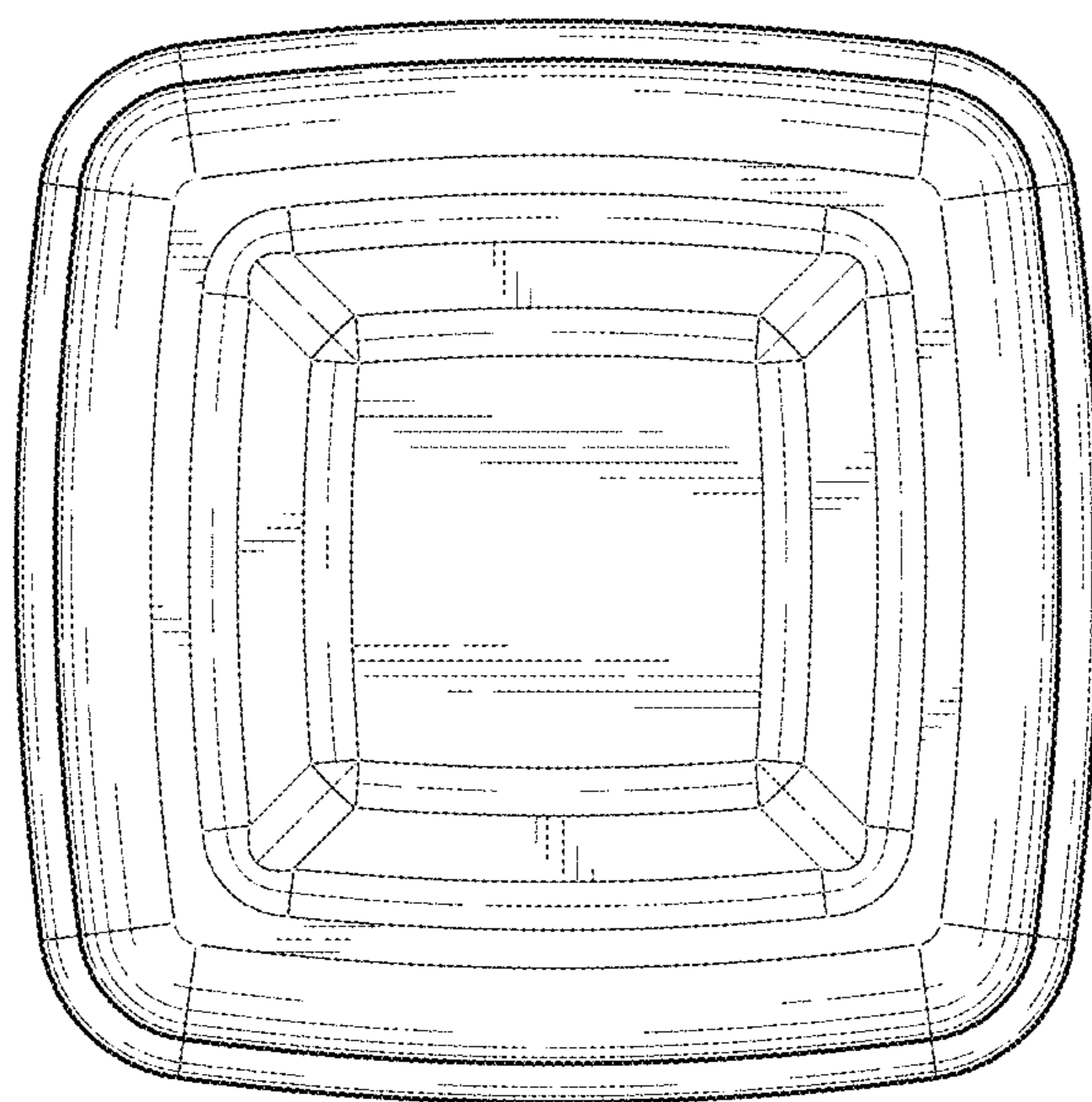


FIG. 9