



US00D828756S

(12) **United States Design Patent** (10) **Patent No.:** **US D828,756 S**
Ercole (45) **Date of Patent:** **** Sep. 18, 2018**

(54) **POWDER CONTAINER**

(71) Applicant: **Paul Anthony Ercole**, Loveland, CO (US)

(72) Inventor: **Paul Anthony Ercole**, Loveland, CO (US)

(**) Term: **15 Years**

(21) Appl. No.: **29/563,106**

(22) Filed: **May 2, 2016**

(51) **LOC (11) Cl.** **09-01**

(52) **U.S. Cl.**
USPC **D9/551**; D9/453; D9/575

(58) **Field of Classification Search**
USPC D9/434, 435, 453, 454, 516, 521, 530, D9/540, 543, 544, 545, 547, 549, 551, D9/570, 572, 575, 715, 719; D24/108, D24/115, 121
CPC B65D 1/0223; B65D 1/32; B65D 2203/00; B65D 85/72; B65D 2517/0056
See application file for complete search history.

(56) **References Cited**

U.S. PATENT DOCUMENTS

180,132 A	7/1876	Hoard	
1,715,757 A	6/1929	Hirtzler	
2,401,684 A	6/1946	Gumilar	
2,518,520 A	8/1950	Broun	
2,575,967 A	11/1951	May	
2,920,796 A	1/1960	Field	
3,410,444 A	11/1968	Morane	
3,450,310 A	6/1969	Dayton	
3,732,999 A	5/1973	Roukles	
4,003,555 A	1/1977	Swartz	
4,779,722 A	10/1988	Hall	
4,804,101 A	2/1989	Heath	
4,818,114 A	4/1989	Ghavi	
D390,118 S *	2/1998	Hanna	D9/545
D397,039 S *	8/1998	Dickson	D9/544

D399,391 S *	10/1998	Malvasi	D7/510
D452,827 S *	1/2002	Cointreau	D9/564
6,372,270 B1	4/2002	Denny	
6,443,096 B1	9/2002	Prydie	
6,672,817 B2	1/2004	Denny	
D493,110 S *	7/2004	Levesque	D9/530
7,198,169 B2	4/2007	Silk	
D546,692 S *	7/2007	Verburg	D9/526

(Continued)

Primary Examiner — Ian Simmons

Assistant Examiner — Keith Frank

(74) *Attorney, Agent, or Firm* — Keeley DeAngelo LLP; W Scott Keeley

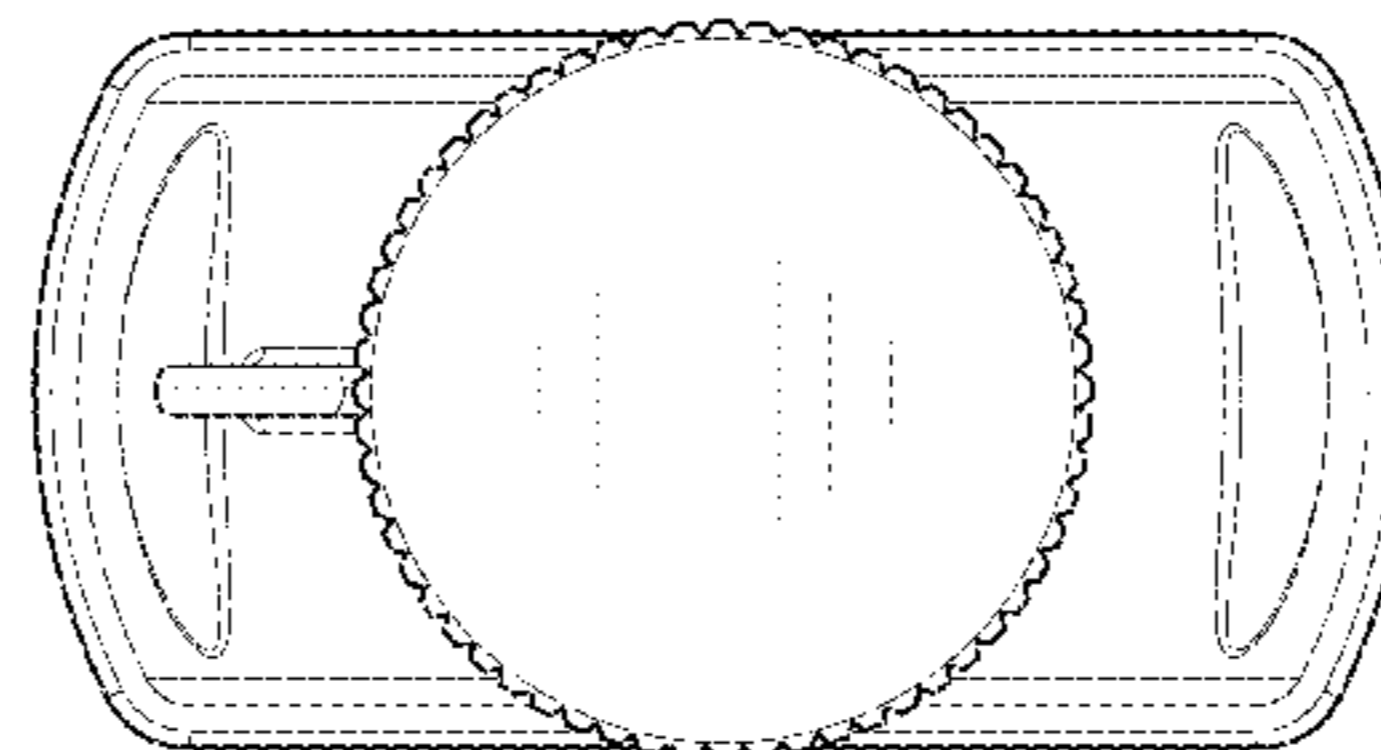
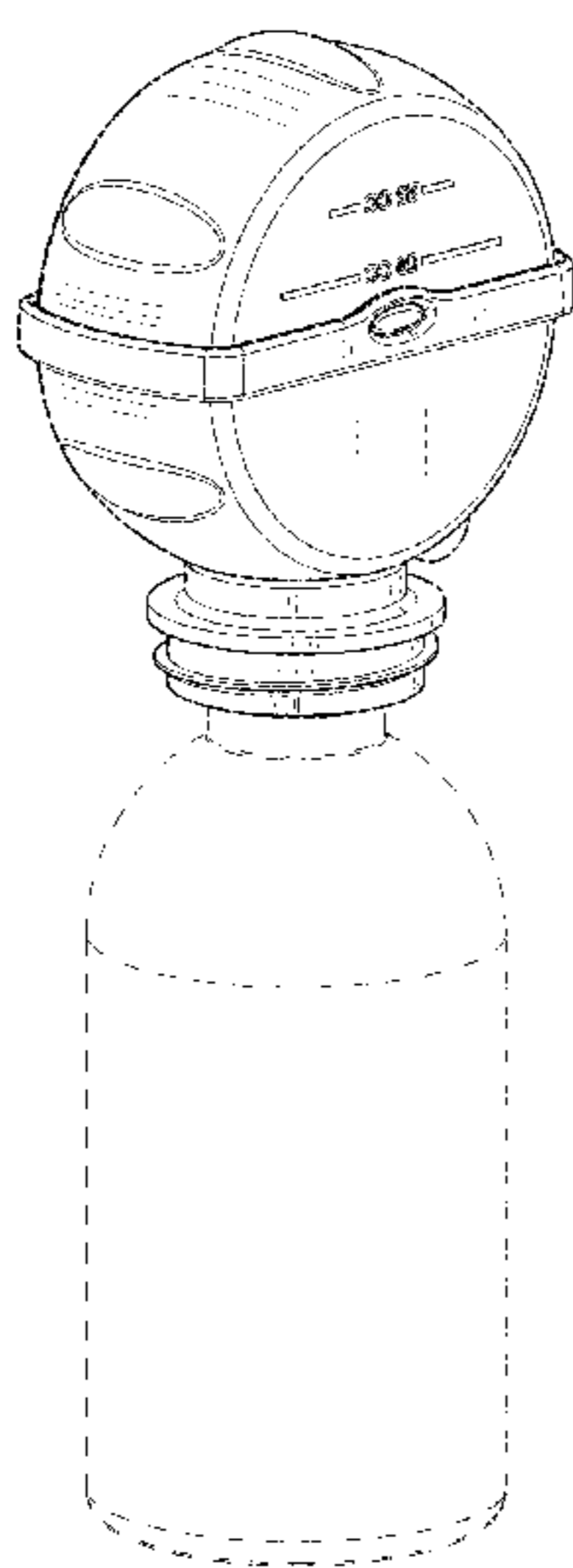
(57) **CLAIM**

The ornamental design for a powder container, as shown and described.

DESCRIPTION

FIG. 1 is a front-perspective view in situ according to the present invention;
FIG. 2 is a front-perspective view according to the present invention;
FIG. 3 is a rear-perspective view according to the present invention;
FIG. 4 is an orthographic front-view according to the present invention;
FIG. 5 is an orthographic right-side view according to the present invention;
FIG. 6 is an orthographic rear view according to the present invention;
FIG. 7 is an orthographic left-side view according to the present invention;
FIG. 8 is an orthographic top view according to the present invention; and,
FIG. 9 is an orthographic bottom view according to the present invention.
The broken lines in the drawings showing of the powder container form no part of the claimed design.

1 Claim, 9 Drawing Sheets



(56)

References Cited

U.S. PATENT DOCUMENTS

D570,699	S *	6/2008	Wagner	D9/535
7,503,453	B2	3/2009	Cronin et al.	
D618,105	S *	6/2010	Graunstadt	D9/521
D642,477	S *	8/2011	Lec tre	D9/544
D644,931	S *	9/2011	Lepoitevin	D9/541
D645,352	S *	9/2011	Bore	D9/443
D659,003	S *	5/2012	Knox	D9/444
8,376,174	B2	2/2013	Nerswick	
8,459,450	B1	6/2013	Whitaker	
8,475,856	B2	7/2013	Sheehan	
8,596,480	B2	12/2013	Arjomand	
D697,811	S *	1/2014	Goodman	D9/545
D744,847	S *	12/2015	Flood	D9/535
D756,228	S *	5/2016	Premkumar	D9/523
D770,294	S *	11/2016	Santoro	D9/520
D797,564	S *	9/2017	Penn	D9/454
D804,316	S *	12/2017	Hainaut	D9/544
2003/0111359	A1	6/2003	Seliga	
2004/0065576	A1	4/2004	Deitz	
2005/0189362	A1	9/2005	Muller	
2006/0138147	A1 *	6/2006	Wagner	A47F 7/281 220/475
2009/0230003	A1	9/2009	Thiellier	
2013/0341443	A1	12/2013	Stephenson	
2014/0069829	A1	3/2014	Evans	
2014/0263471	A1	9/2014	Gonzalez et al.	

* cited by examiner

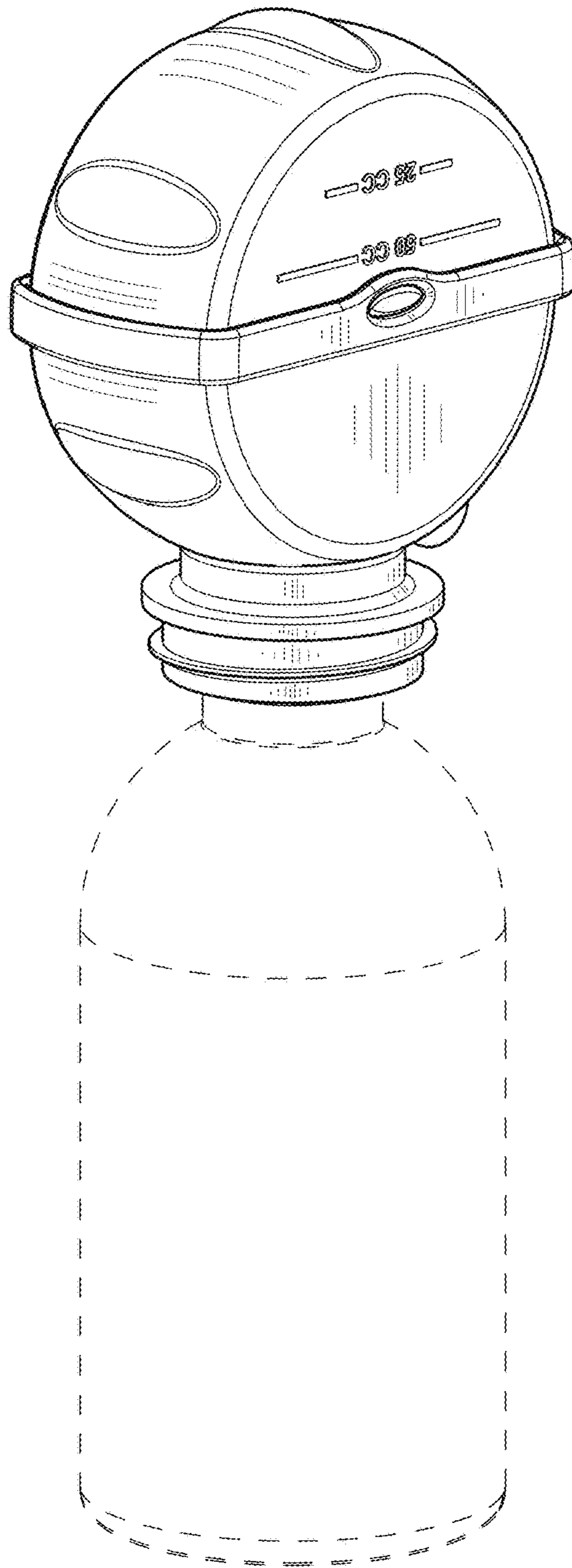


Figure 1

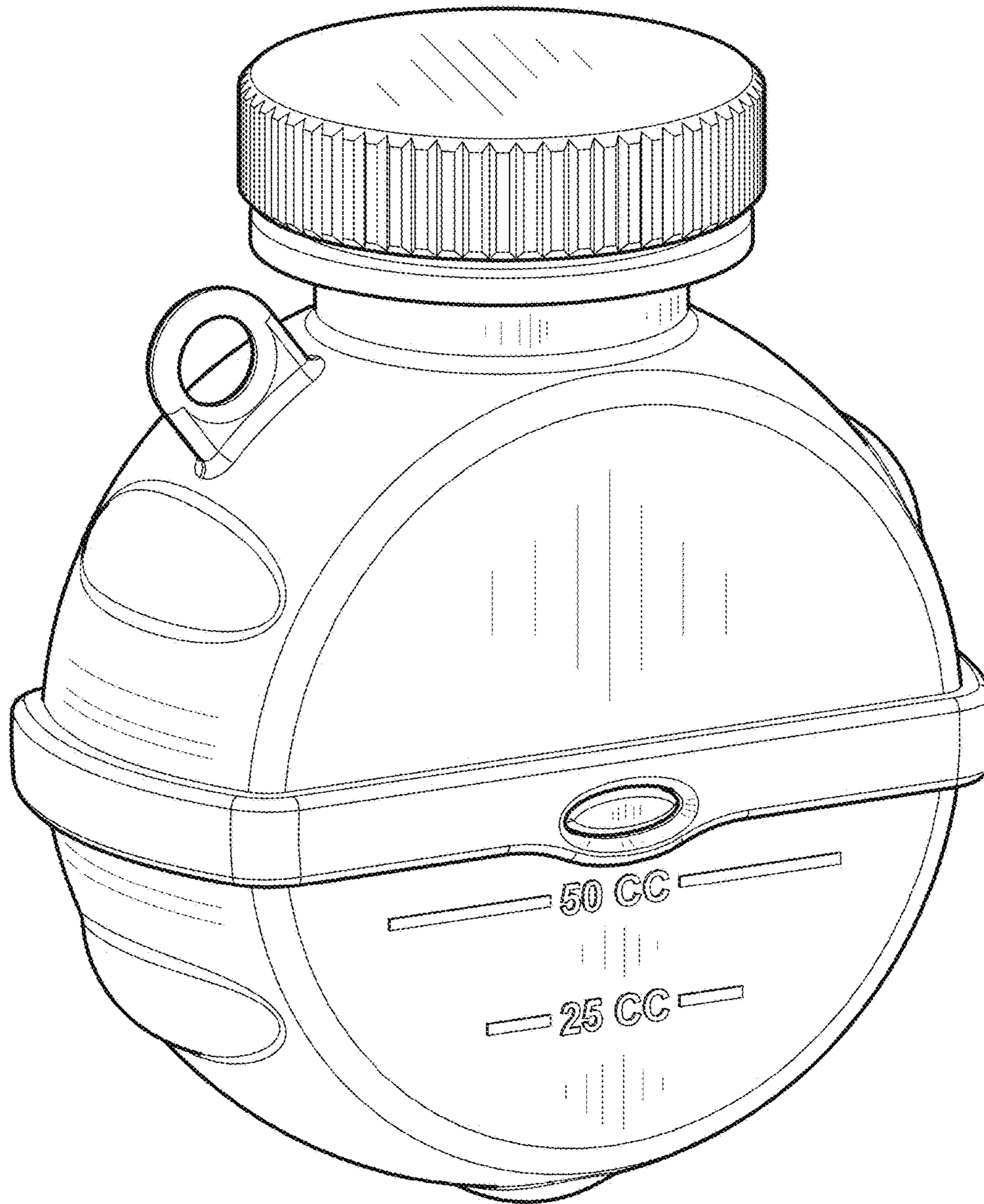


Figure 2

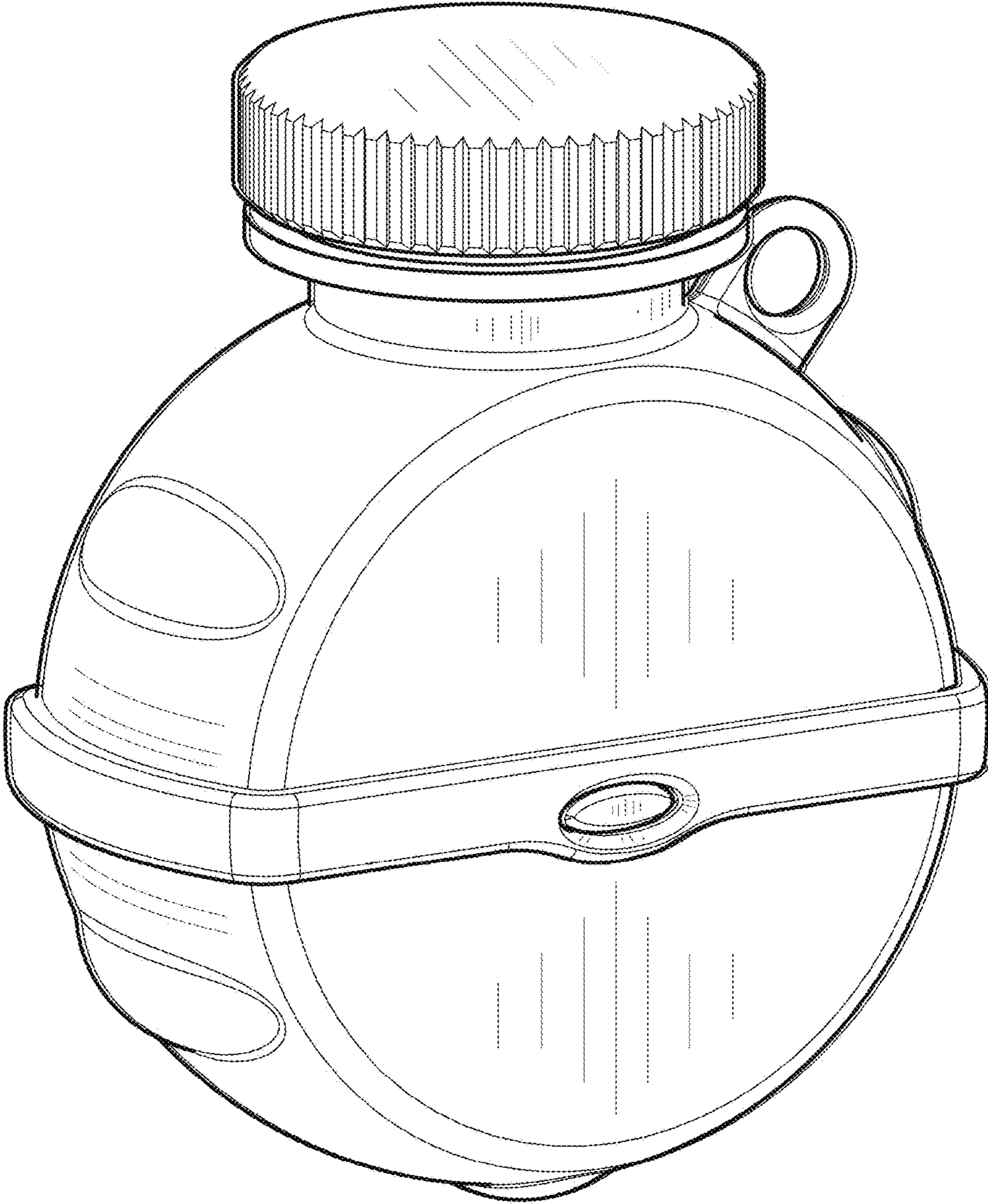


Figure 3

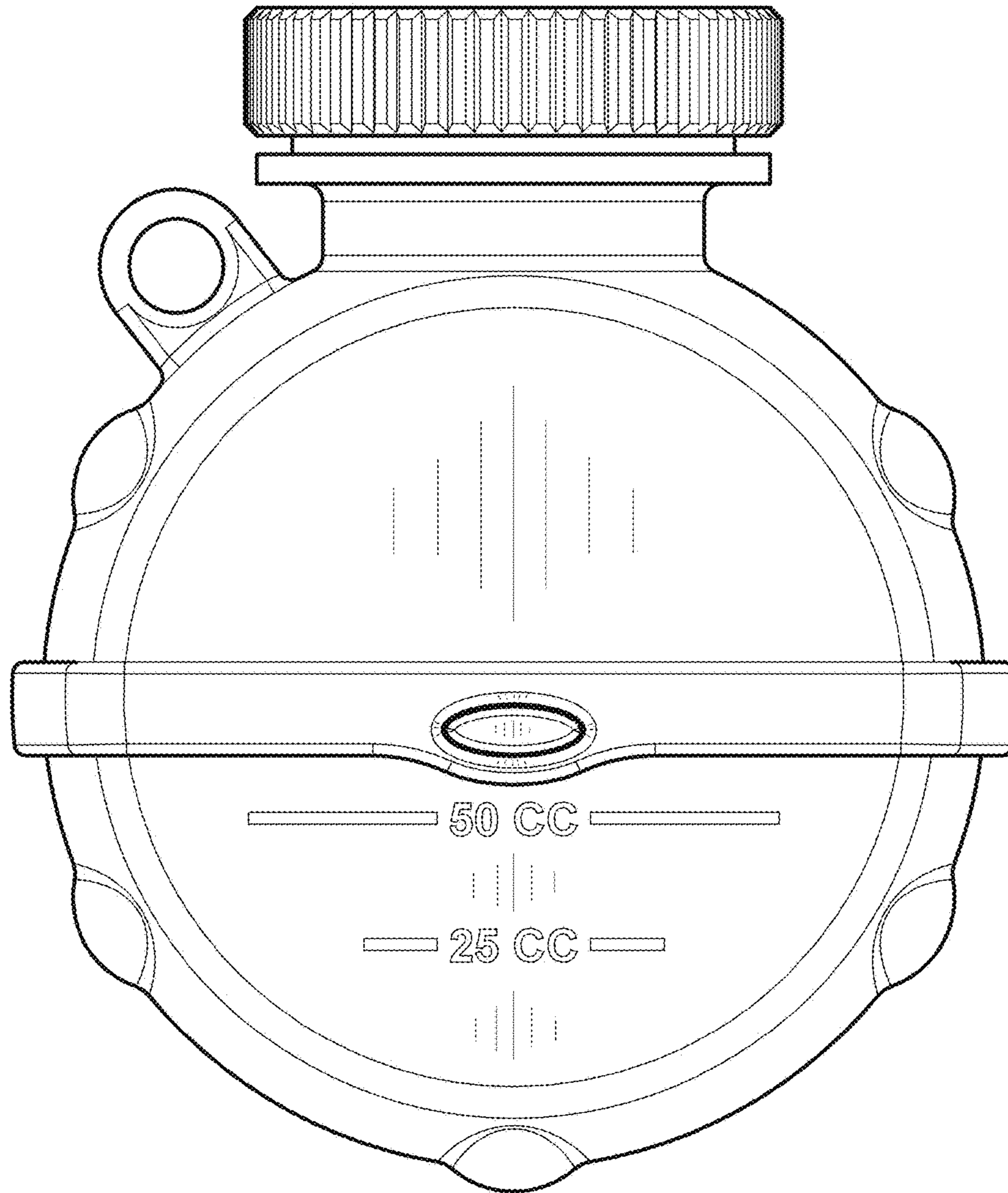


Figure 4

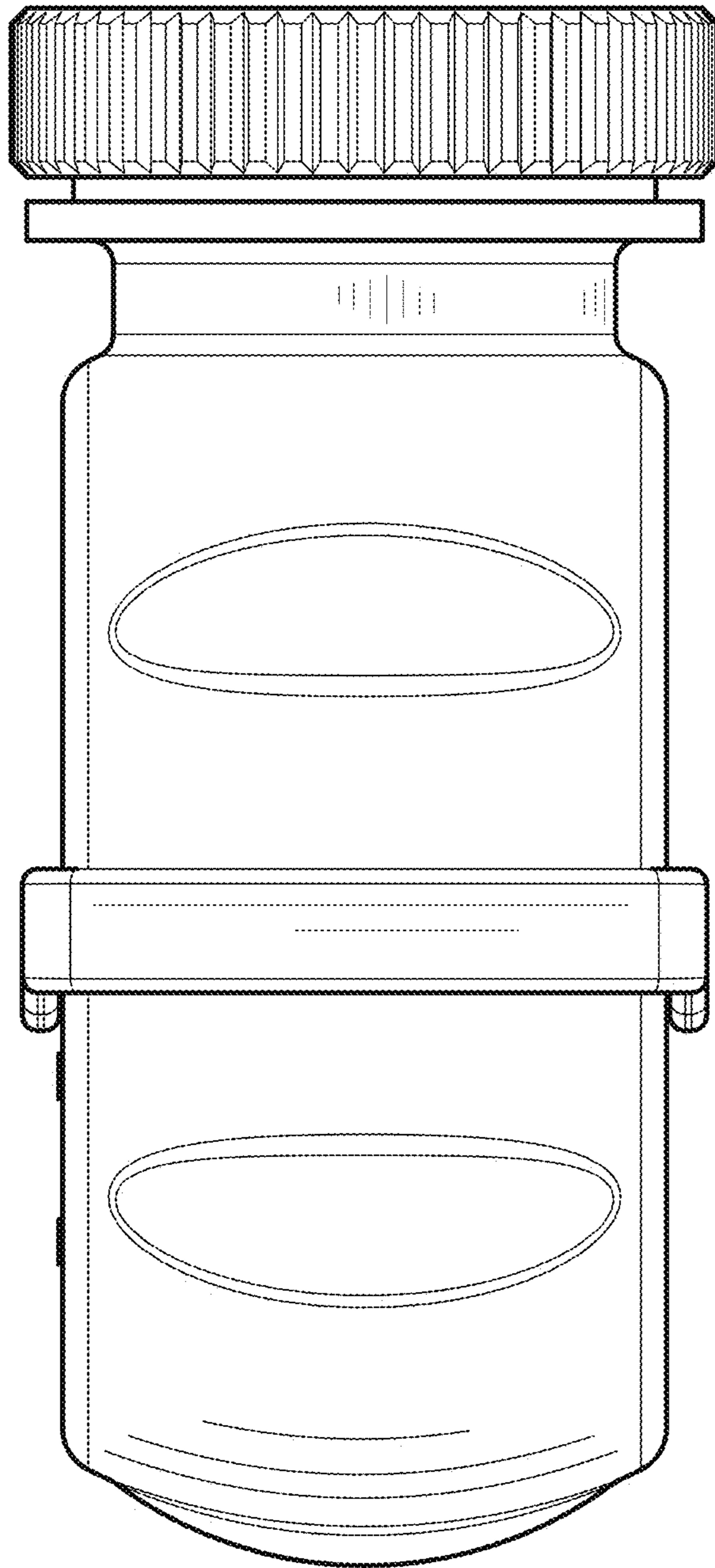


Figure 5

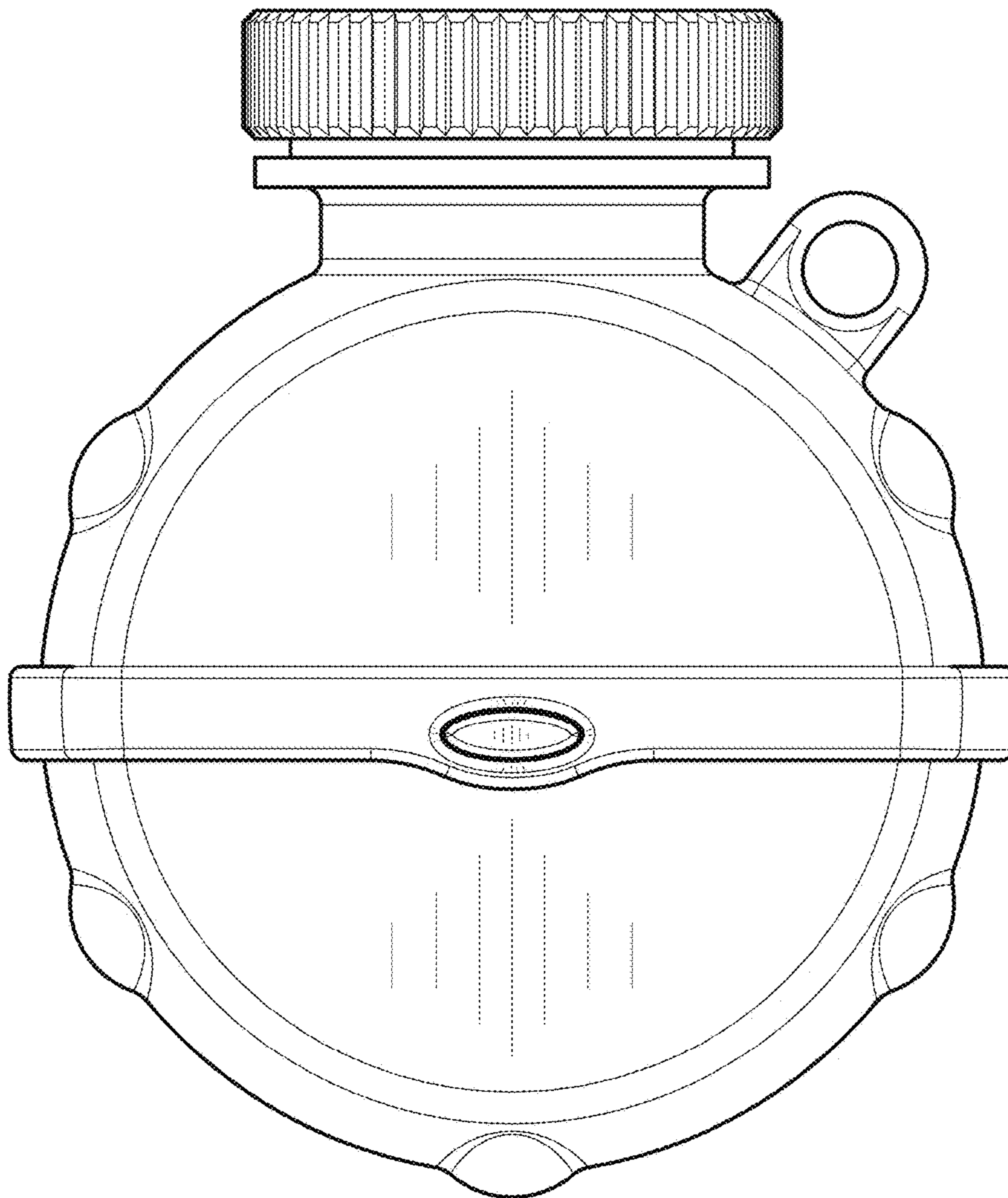


Figure 6

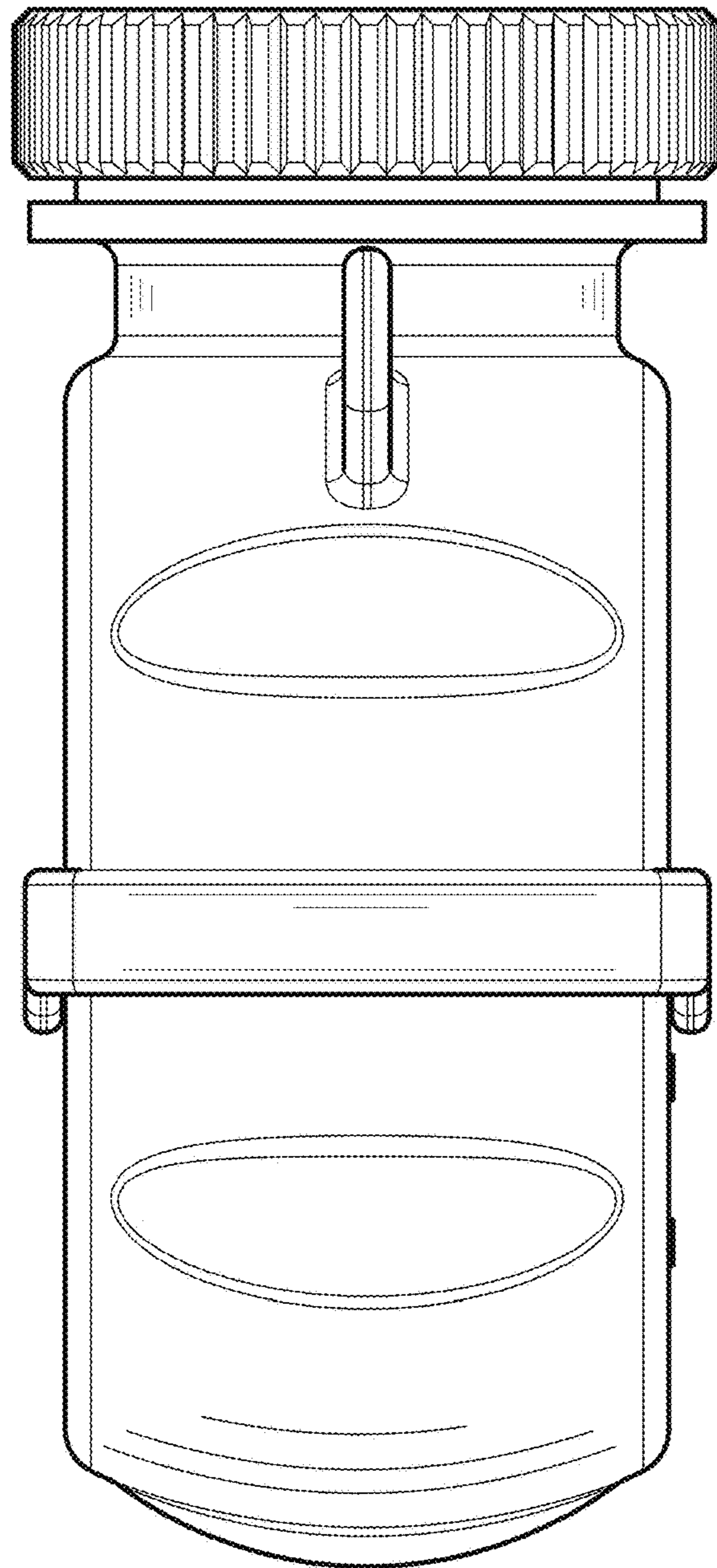


Figure 7

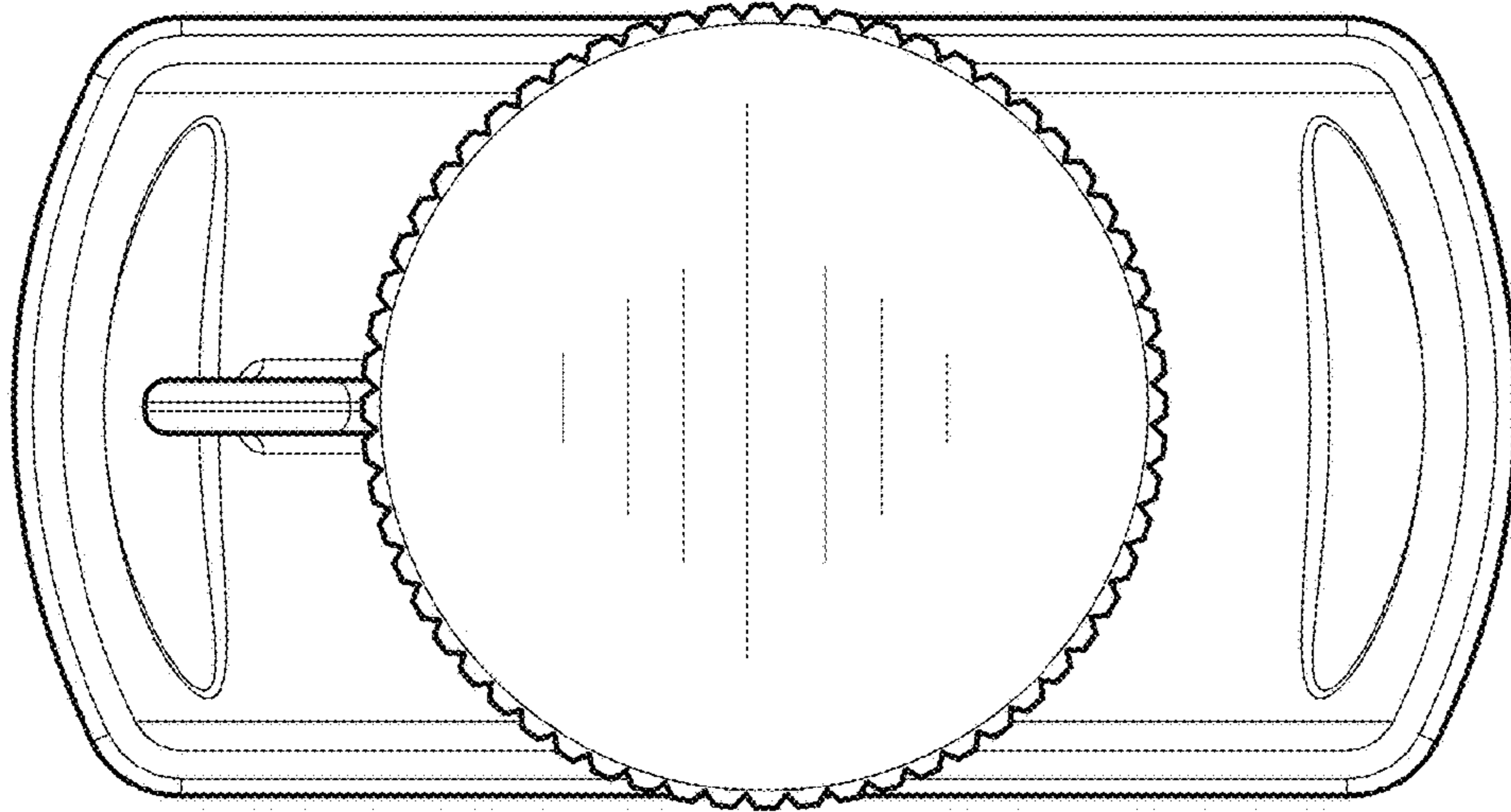


Figure 8

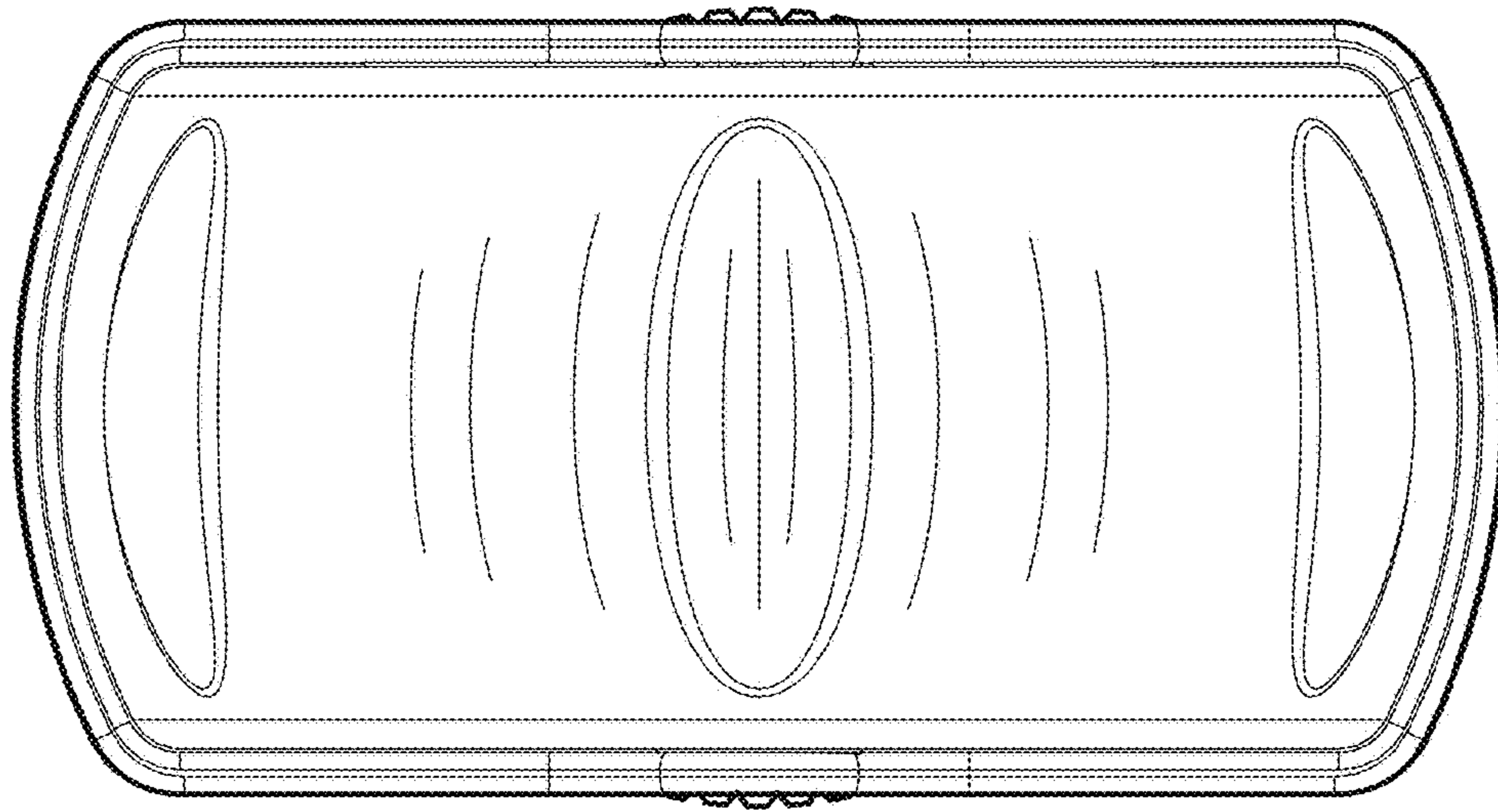


Figure 9