



US00D828755S

(12) **United States Design Patent** (10) **Patent No.:** **US D828,755 S**  
**Jacobs et al.** (45) **Date of Patent:** **\*\* Sep. 18, 2018**

(54) **CAP FOR A CANISTER**

(56) **References Cited**

(71) Applicants: **Jason Jacobs**, Gansevoort, NY (US);  
**Andy Dahlen**, Saratoga Springs, NY (US); **Jessica Abel**, Niskayuna, NY (US); **Lora Spizzirri**, Chicago, IL (US); **Karen Murrie**, Highland Park, IL (US); **Brody Boyer**, Chicago, IL (US); **Emily Berry**, Chicago, IL (US); **Vince Bowman**, Highland Park, NY (US); **Christian Kulujian**, Chicago, IL (US); **Nick Giese**, Altamont, NY (US); **Josh Hecker**, Gloversville, NY (US); **Jack Hotz**, West Bloomfield, MI (US)

U.S. PATENT DOCUMENTS

2,961,132 A \* 11/1960 Ankney ..... B65D 47/265  
222/480  
3,100,589 A \* 8/1963 Love, Jr. .... B65D 47/265  
222/480

(Continued)

*Primary Examiner* — Michael A. Pratt  
*Assistant Examiner* — Wendy L Arminio  
(74) *Attorney, Agent, or Firm* — Phillips Lytle LLP;  
David L. Principe

(72) Inventors: **Jason Jacobs**, Gansevoort, NY (US);  
**Andy Dahlen**, Saratoga Springs, NY (US); **Jessica Abel**, Niskayuna, NY (US); **Lora Spizzirri**, Chicago, IL (US); **Karen Murrie**, Highland Park, IL (US); **Brody Boyer**, Chicago, IL (US); **Emily Berry**, Chicago, IL (US); **Vince Bowman**, Highland Park, NY (US); **Christian Kulujian**, Chicago, IL (US); **Nick Giese**, Altamont, NY (US); **Josh Hecker**, Gloversville, NY (US); **Jack Hotz**, West Bloomfield, MI (US)

(57) **CLAIM**

The ornamental design for a cap for a canister, as shown and described.

**DESCRIPTION**

FIG. 1 is a top perspective view of the cap for a canister with both sides closed and showing our new design;  
FIG. 2 is a bottom perspective view of the cap for a canister with both sides closed;  
FIG. 3 is a front elevational view of the cap for a canister of FIG. 1;  
FIG. 4 is a right side elevational view thereof;  
FIG. 5 is a rear elevational view thereof;  
FIG. 6 is a left side elevational view thereof;  
FIG. 7 is a top plan view thereof;  
FIG. 8 is a bottom plan view thereof;  
FIG. 9 is a top perspective view of the cap for a canister with the “smiley face” side open;  
FIG. 10 is another top perspective view of the cap for a canister with the “smiley face” side open;  
FIG. 11 is a bottom perspective view of the cap for a canister with the “smiley face” side open;  
FIG. 12 is a front elevational view of the cap for a canister of FIG. 9;  
FIG. 13 is a right side elevation view of the cap for a canister shown in FIG. 9;  
FIG. 14 is a rear elevational view of the cap for a canister shown in FIG. 9;

(73) Assignee: **Hero AG**, Lenzburg (CH)

(\*\*) Term: **15 Years**

(21) Appl. No.: **29/591,245**

(22) Filed: **Jan. 18, 2017**

(51) **LOC (11) Cl.** ..... **09-07**

(52) **U.S. Cl.**  
USPC ..... **D9/449**

(58) **Field of Classification Search**  
USPC ..... D9/414, 415, 424, 425, 434, 435, 436,  
D9/443, 444–452, 454–456, 499, 529,

(Continued)

(Continued)

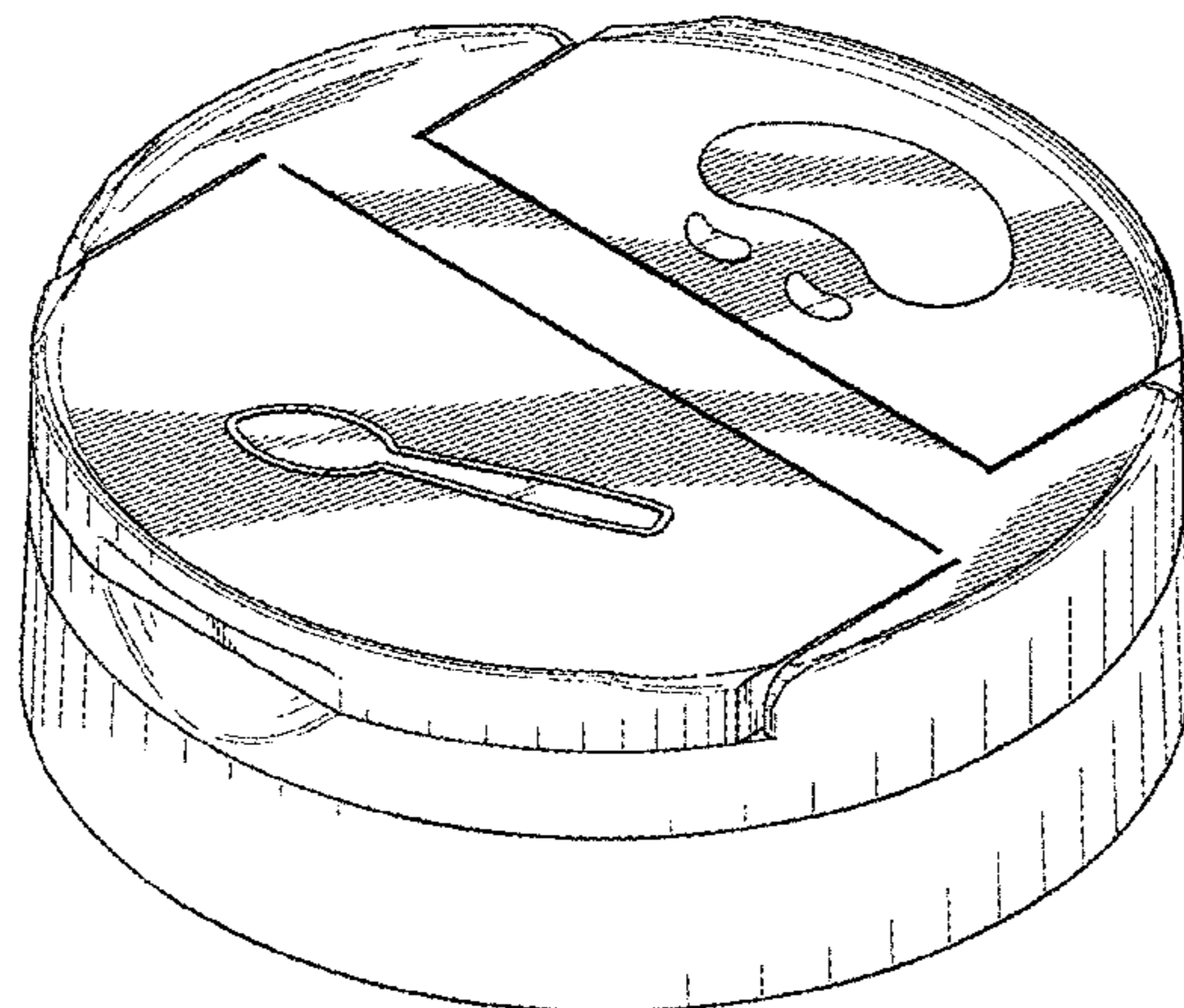


FIG. 15 is a left side elevational view of the cap for a canister shown in FIG. 9;  
 FIG. 16 is top plan view of the cap for a canister shown in FIG. 9;  
 FIG. 17 is a bottom plan view of the cap for a canister shown in FIG. 9;  
 FIG. 18 is a top perspective view of the cap for a canister with the “spoon” side open;  
 FIG. 19 is another top perspective view of the cap for a canister with the “spoon” side open;  
 FIG. 20 is a bottom perspective view of the cap for a canister of FIG. 18;  
 FIG. 21 is a front elevational view of the cap for a canister of FIG. 18;  
 FIG. 22 is right side elevational view of the cap for a canister of FIG. 18;  
 FIG. 23 is a rear elevational view of the cap for a canister of FIG. 18;  
 FIG. 24 is a left side elevational view of the cap for a canister of FIG. 18;  
 FIG. 25 is a top plan view of the cap for a canister of FIG. 18; and,  
 FIG. 26 is a bottom plan view of the cap for a canister of FIG. 18.  
 The broken lines in FIGS. 10 and 16 depict portions of the cap for a canister that form no part of the claimed design.

**1 Claim, 22 Drawing Sheets**

(58) **Field of Classification Search**

USPC ..... D9/682, 685, 686; D7/387, 391, 392, D7/392.1, 396.1, 396.2, 396.3, 396.4, D7/397, 398, 401.1, 507, 509–511, 538, D7/900; D3/202, 203.2; D28/91, 91.1  
 CPC .. A61J 1/00; A61J 1/1412; B65D 1/00; B65D 1/02; B65D 1/10; B65D 1/46; B65D 2585/56; B65D 2585/545; B65D 41/00; B65D 41/38; B65D 41/56; B65D 41/62;

B65D 47/00; B65D 47/06; B65D 47/08;  
 B65D 2543/00046; B65D 2543/00092;  
 B65D 2543/00296; B65D 5/46; B65D 2251/00

See application file for complete search history.

(56)

**References Cited**

U.S. PATENT DOCUMENTS

|              |      |         |                   |                          |
|--------------|------|---------|-------------------|--------------------------|
| 3,877,604    | A *  | 4/1975  | Brown .....       | B65D 17/4012<br>220/267  |
| 4,007,936    | A *  | 2/1977  | Hornsby, Jr. .... | A63F 7/044<br>215/228    |
| 4,299,339    | A *  | 11/1981 | Giroux .....      | B65D 47/265<br>215/313   |
| 4,541,541    | A *  | 9/1985  | Hickman .....     | B65D 55/02<br>220/253    |
| 4,598,837    | A *  | 7/1986  | Kreiseder .....   | B65D 47/265<br>220/214   |
| 4,792,054    | A *  | 12/1988 | Weidman .....     | B65D 47/265<br>220/253   |
| 4,969,572    | A *  | 11/1990 | vanKerkhoven ...  | B65D 47/265<br>220/253   |
| 5,048,730    | A *  | 9/1991  | Forsyth .....     | B65D 47/0847<br>215/235  |
| D350,697     | S *  | 9/1994  | Sidman .....      | D9/440                   |
| D509,426     | S *  | 9/2005  | Samz .....        | D9/435                   |
| D513,452     | S *  | 1/2006  | Parve .....       | D9/435                   |
| D522,860     | S *  | 6/2006  | LaFortune .....   | D9/449                   |
| D530,610     | S *  | 10/2006 | Samz .....        | D9/447                   |
| D539,647     | S *  | 4/2007  | Solowiejko .....  | D9/447                   |
| D552,990     | S *  | 10/2007 | Vogel .....       | D9/435                   |
| D603,702     | S *  | 11/2009 | Daggett .....     | D9/449                   |
| D603,703     | S *  | 11/2009 | Daggett .....     | B65D 43/161<br>D9/449    |
| D614,488     | S *  | 4/2010  | Kallenbach .....  | D9/449                   |
| D627,637     | S *  | 11/2010 | Kallenbach .....  | D9/441                   |
| D661,581     | S *  | 6/2012  | Kallenbach .....  | D9/449                   |
| D687,713     | S *  | 8/2013  | Kallenbach .....  | D7/319                   |
| D809,387     | S *  | 2/2018  | Tran .....        | D9/449                   |
| D809,388     | S *  | 2/2018  | Tran .....        | D9/449                   |
| 2006/0118556 | A1 * | 6/2006  | Solowiejko .....  | B65D 21/022<br>220/254.2 |

\* cited by examiner



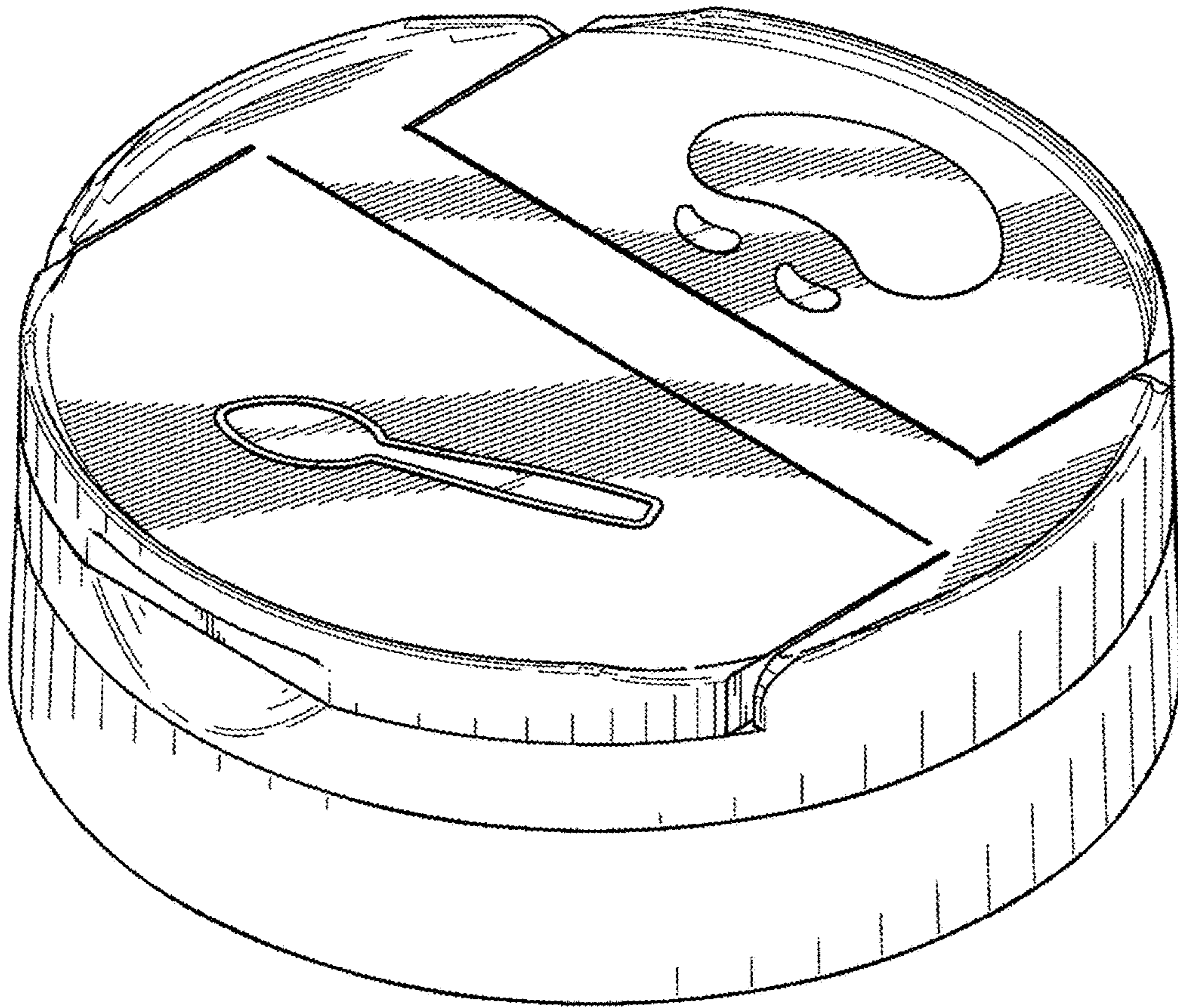


FIG. 1

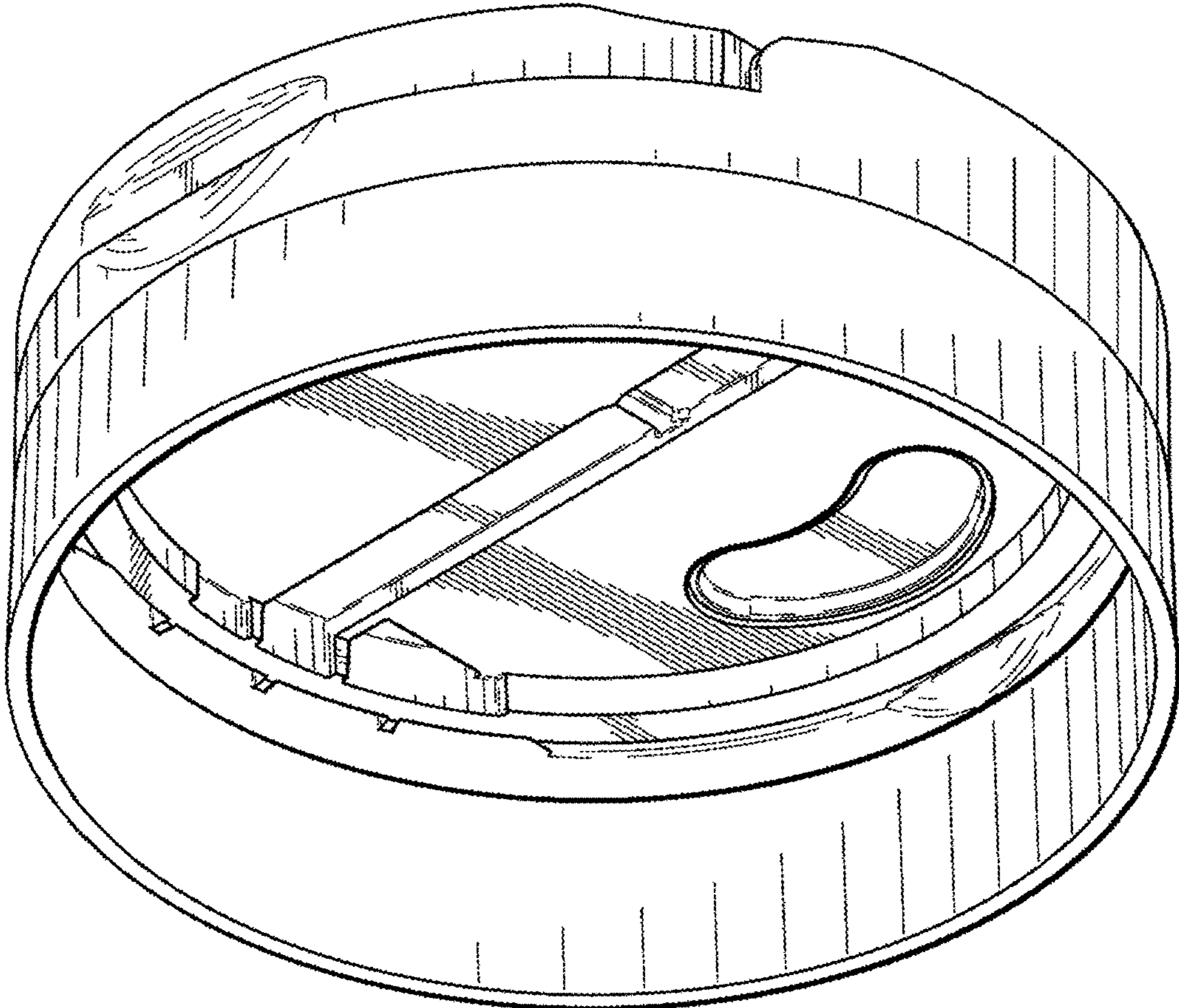


FIG. 2

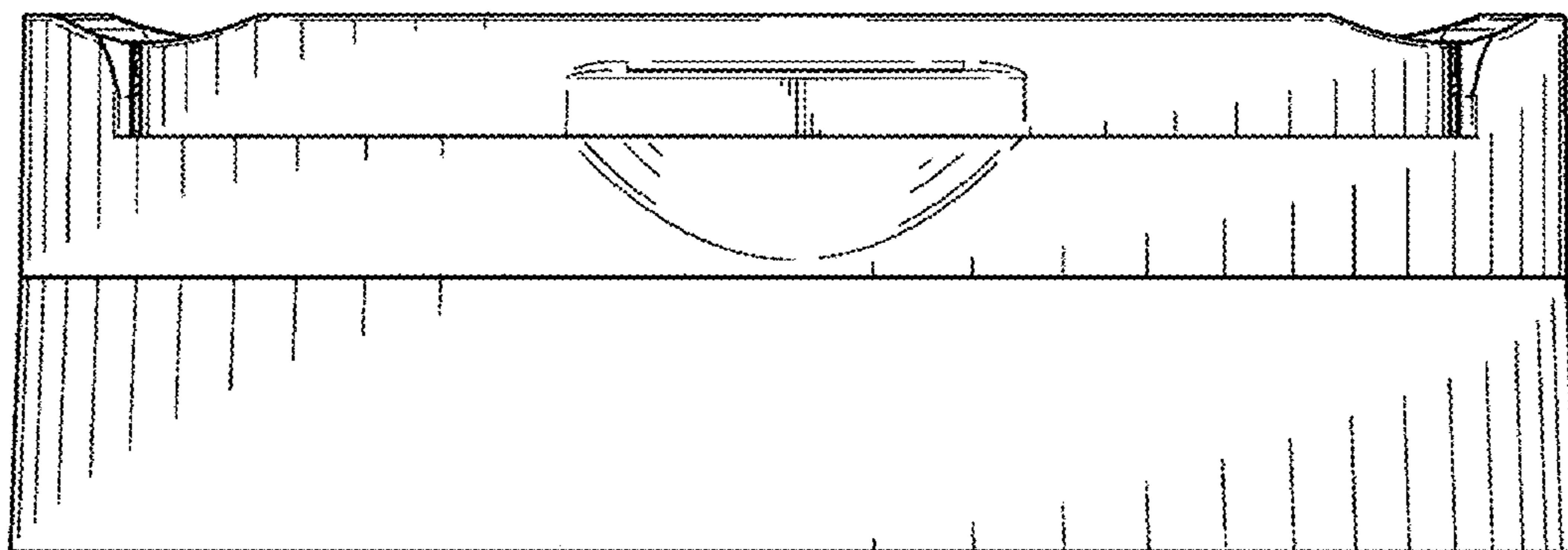


FIG. 3

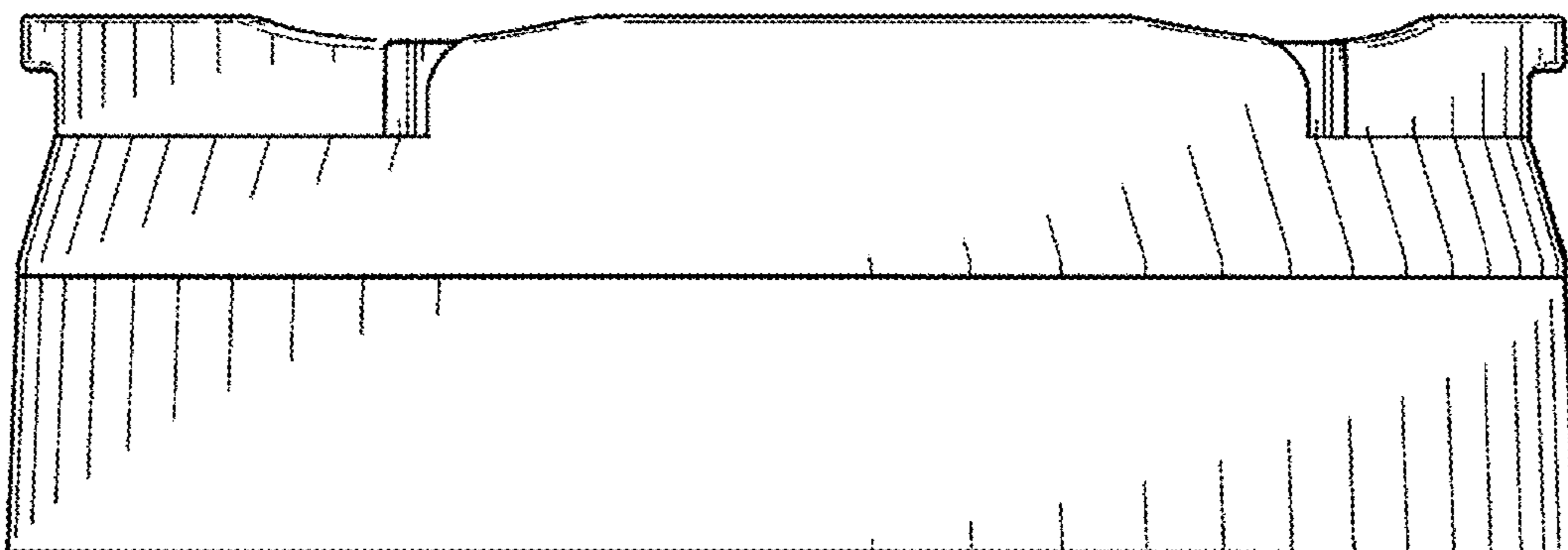


FIG. 4

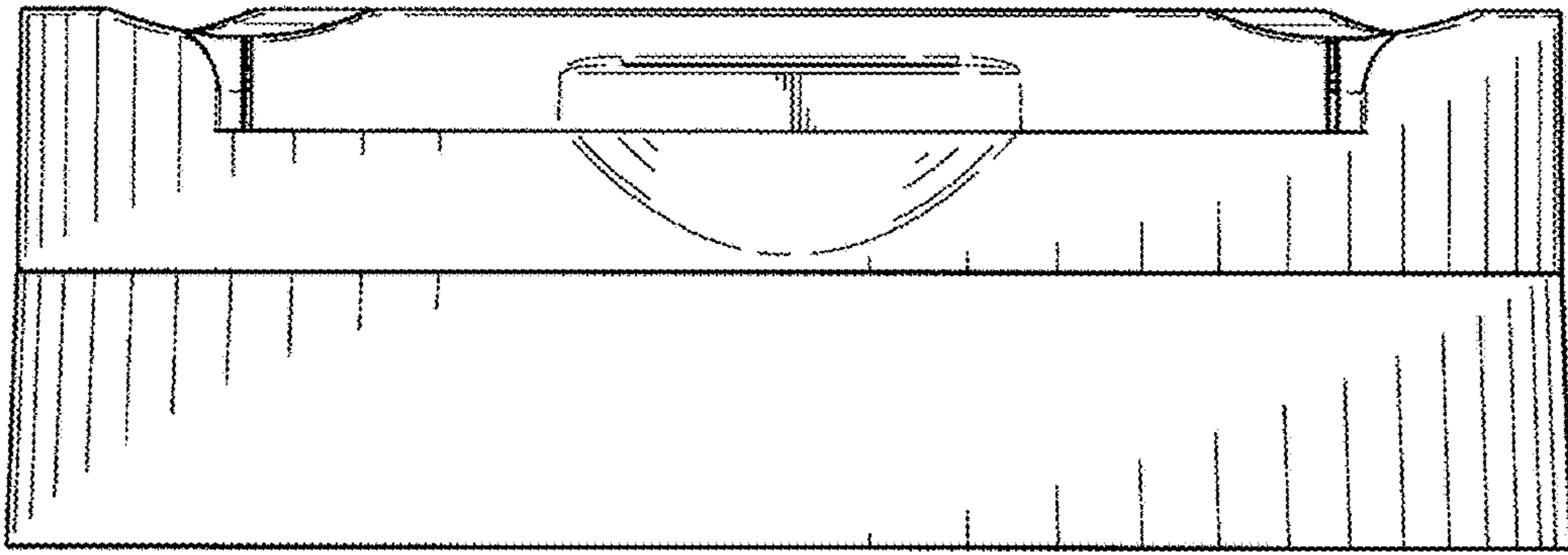


FIG. 5

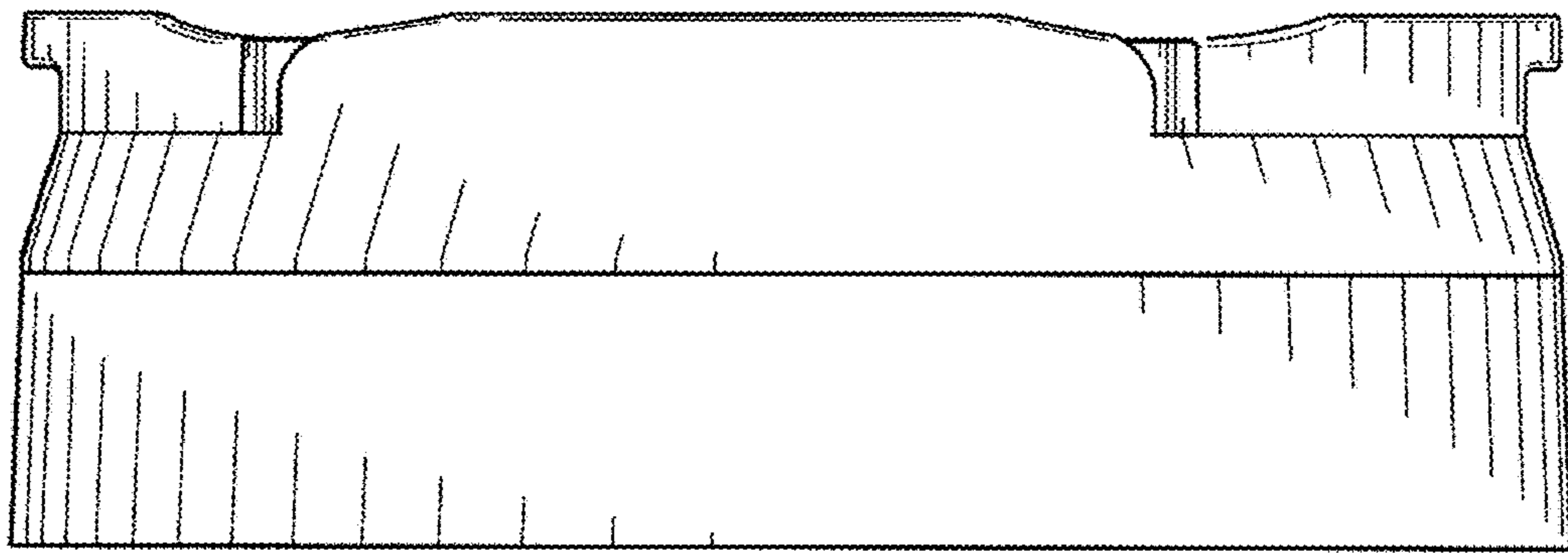


FIG. 6



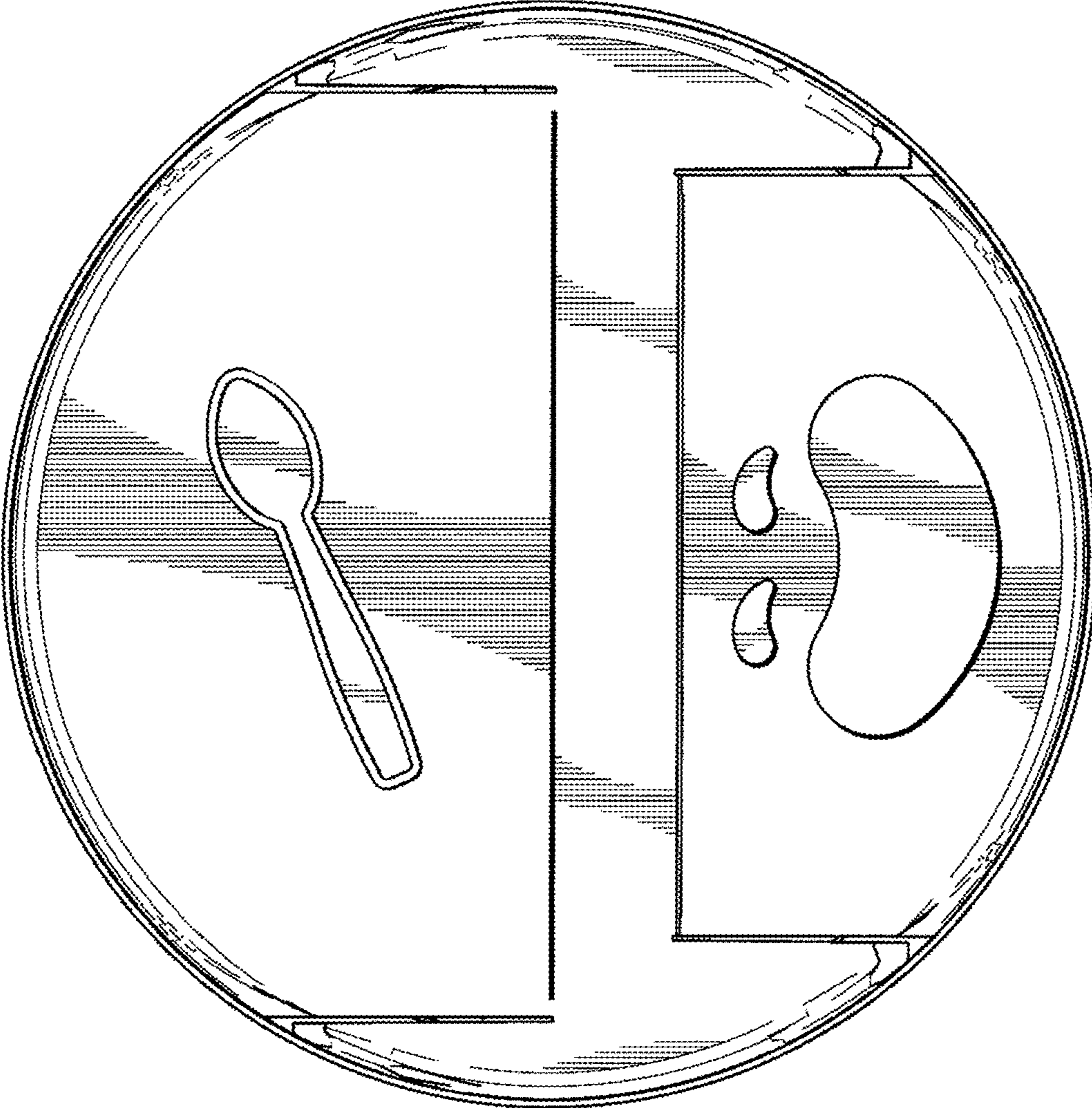


FIG. 7

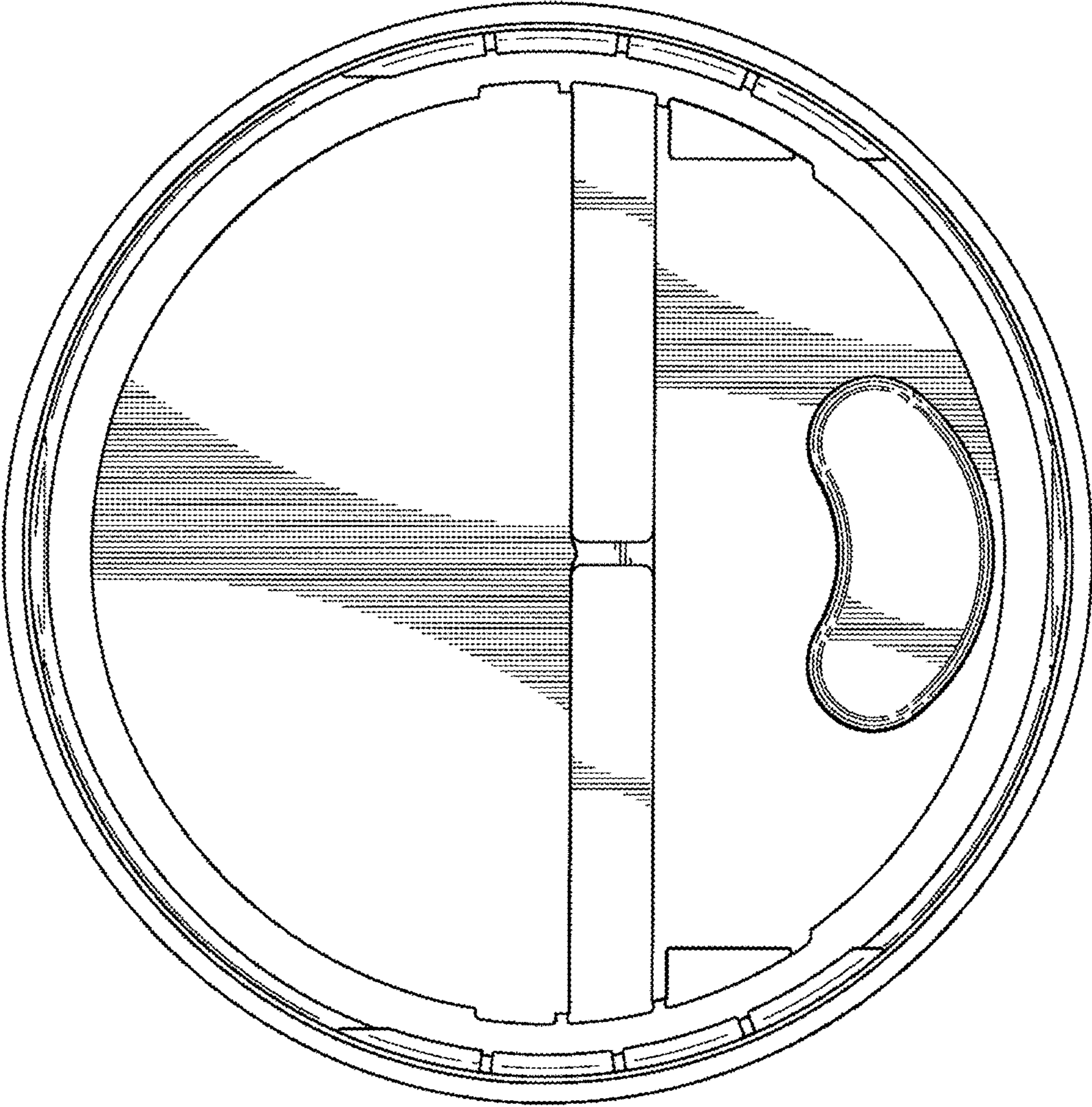


FIG. 8



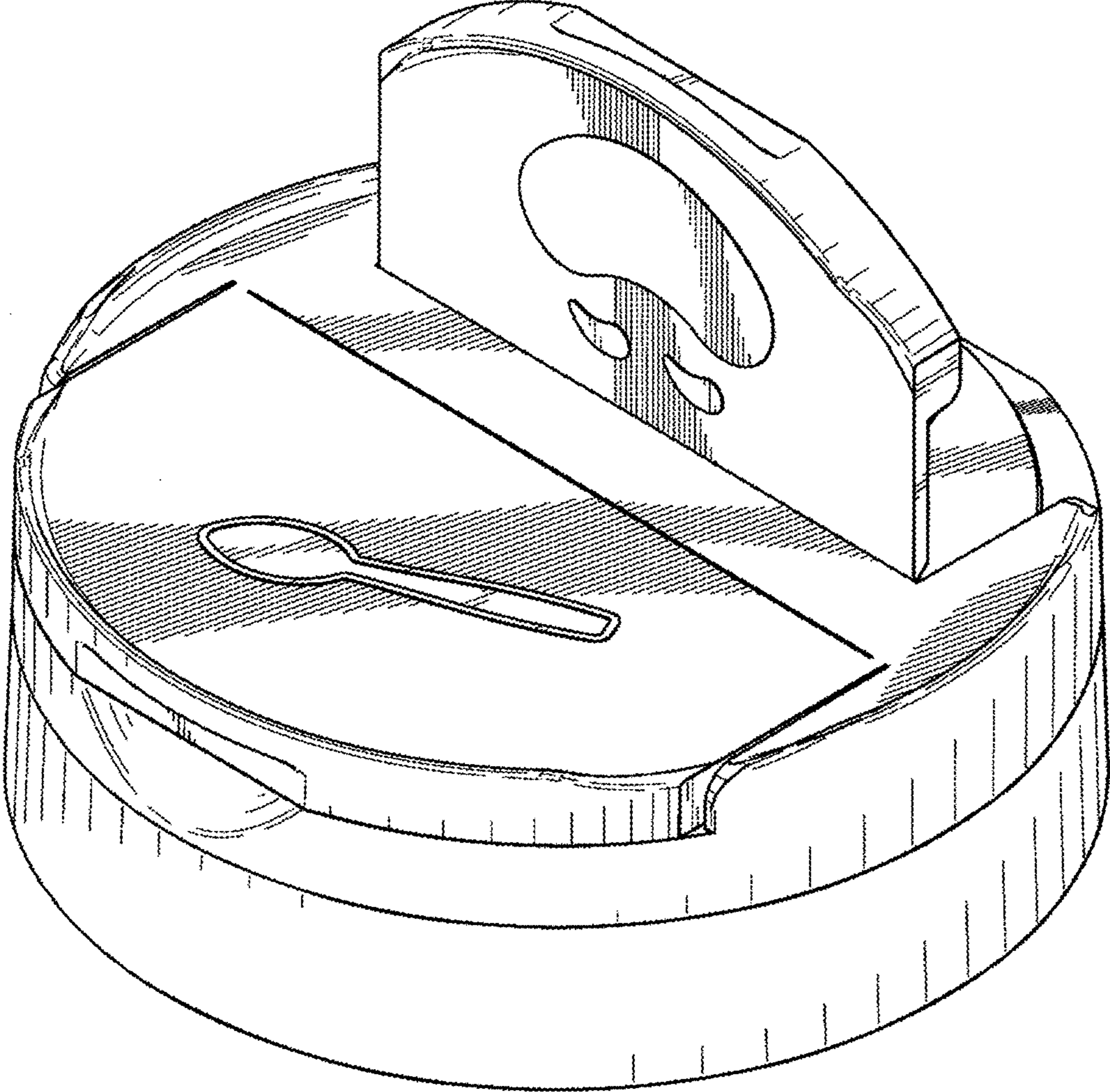


FIG. 9

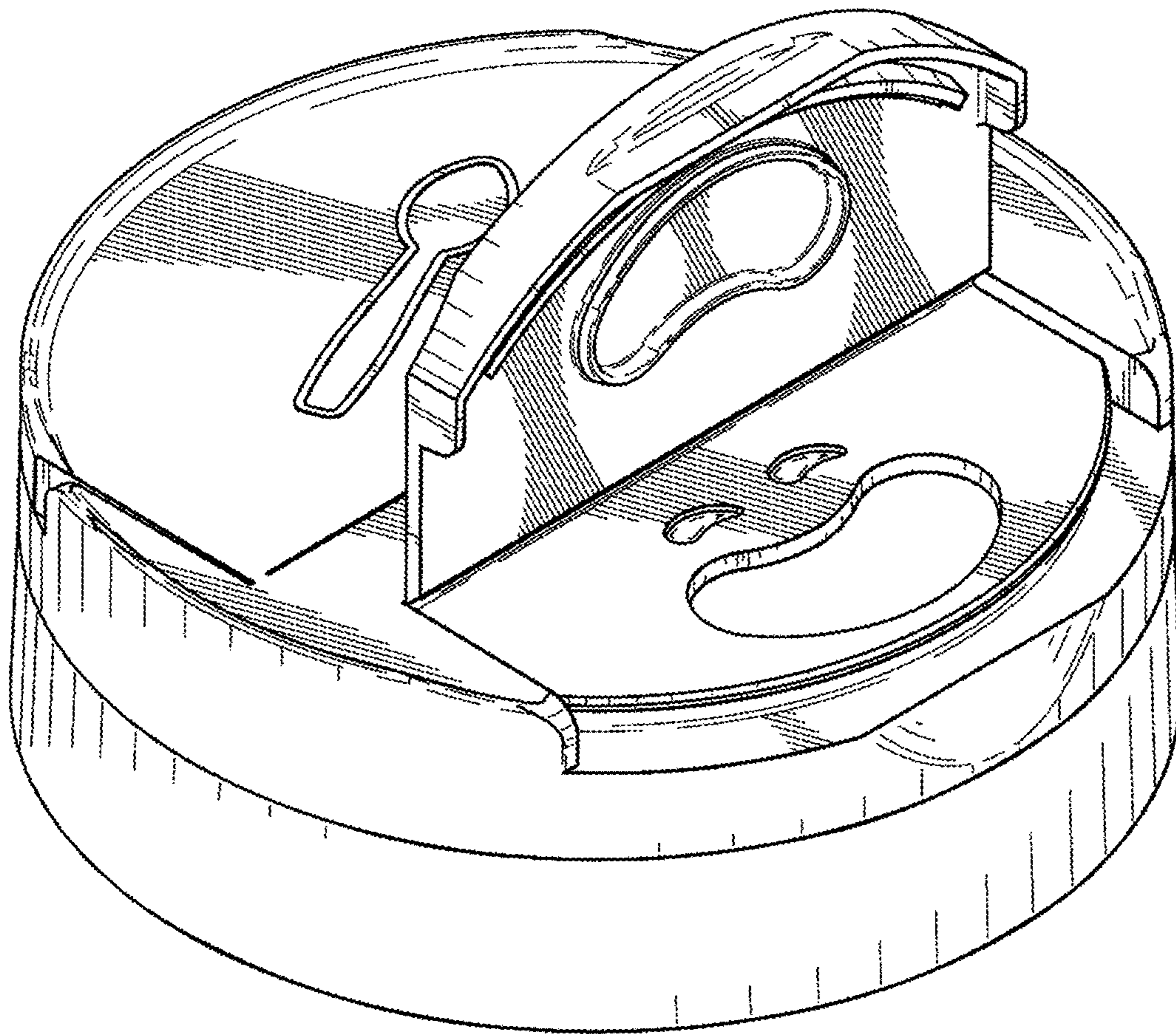


FIG. 10

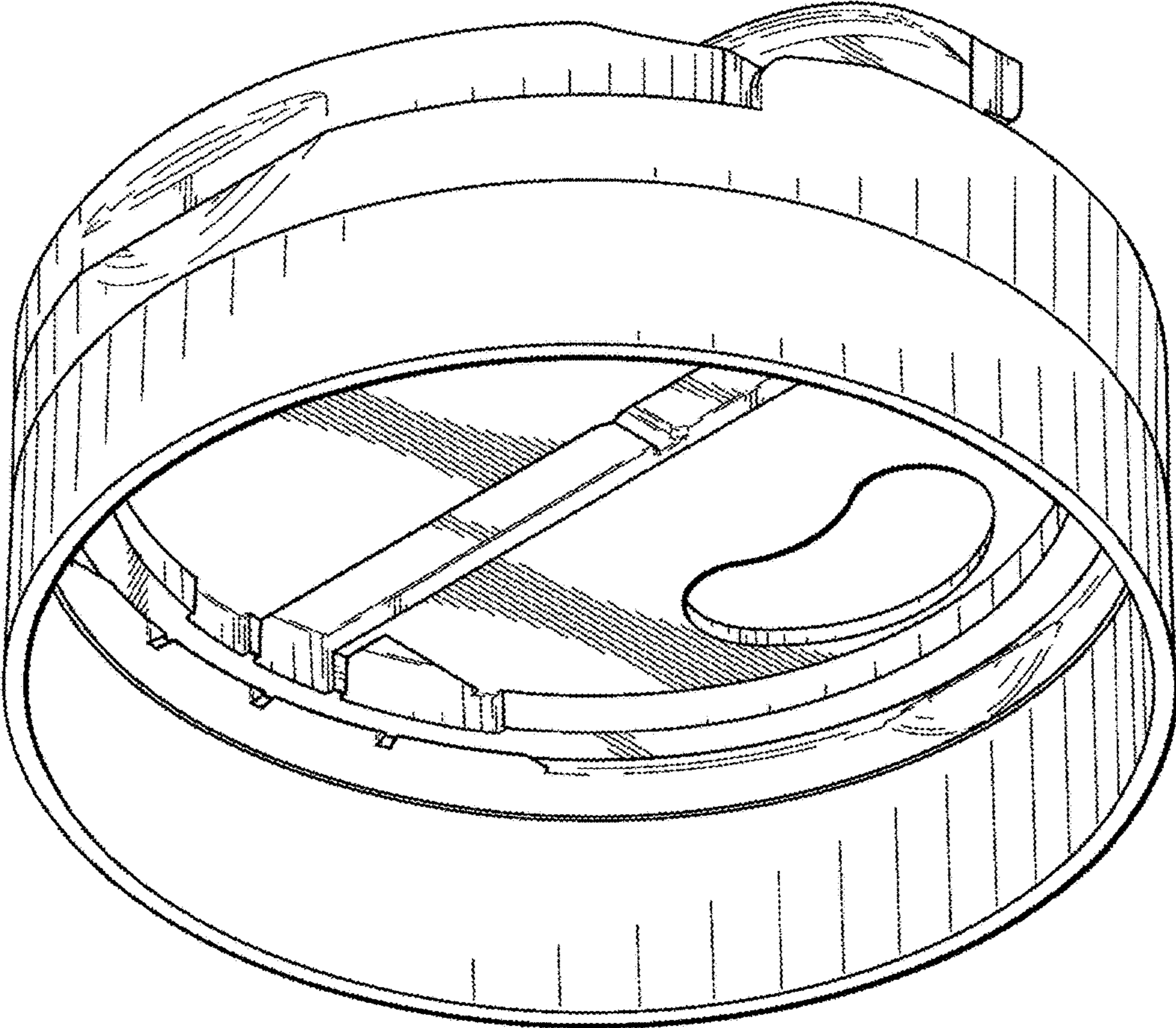


FIG. 11



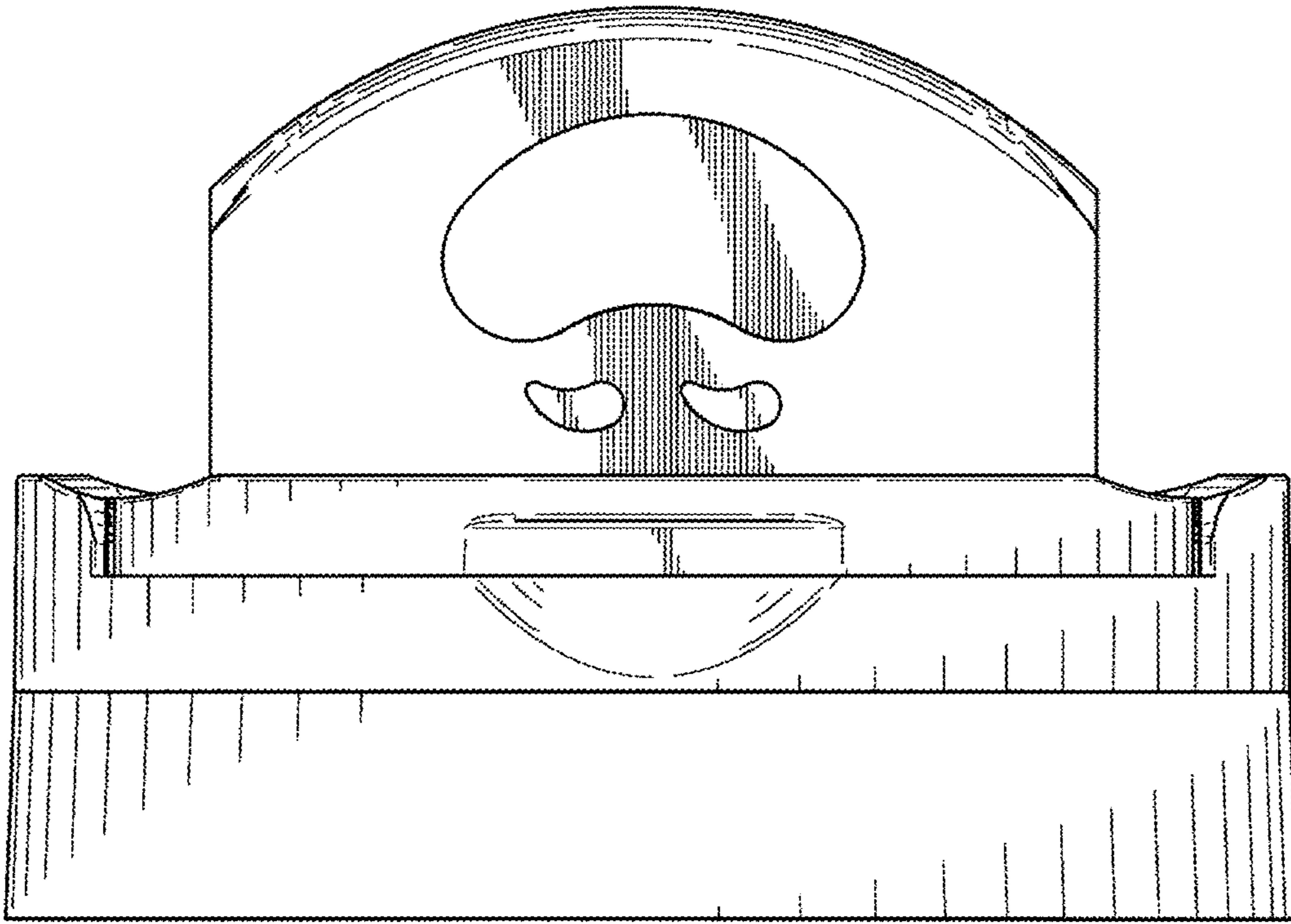


FIG. 12

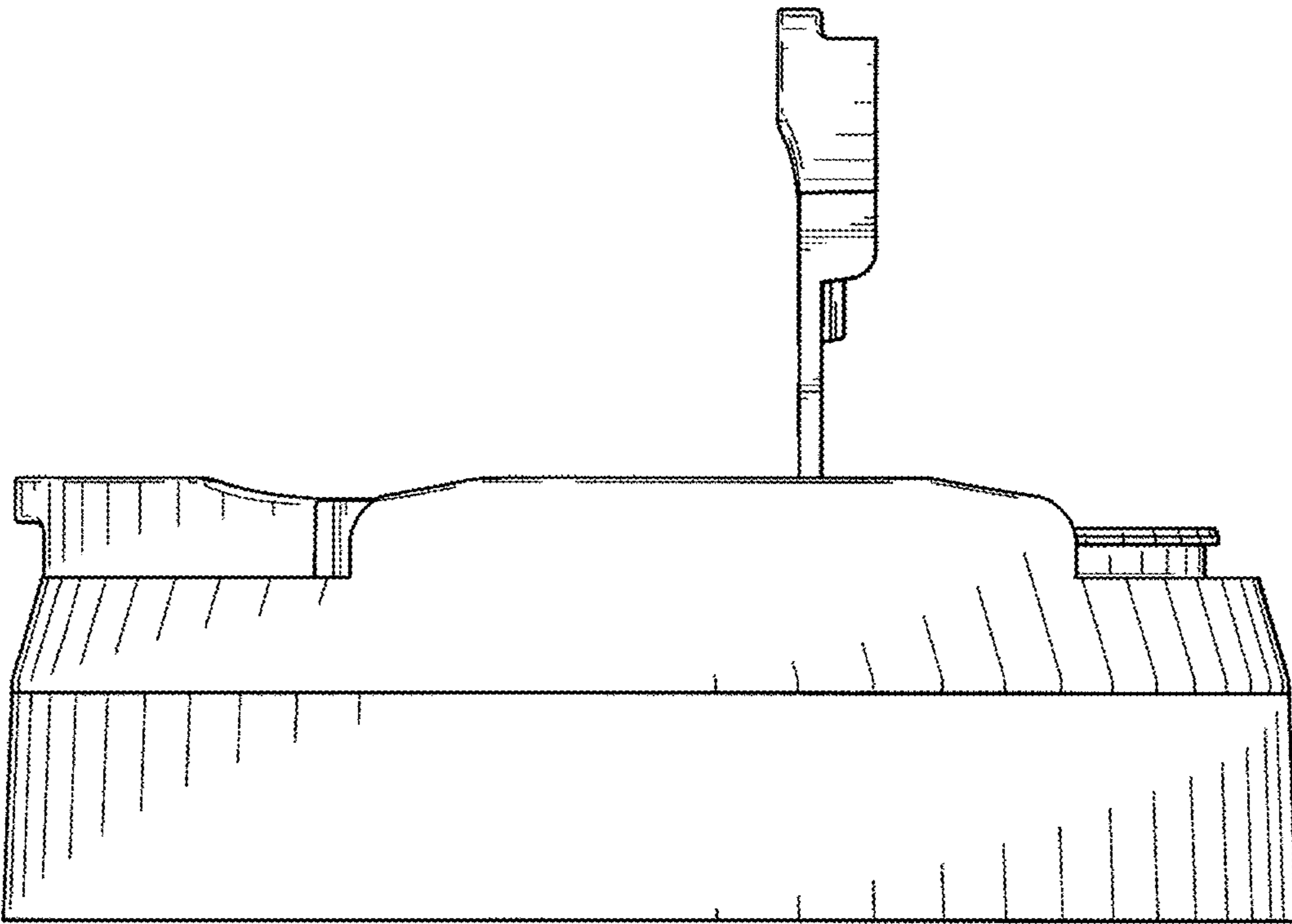


FIG. 13

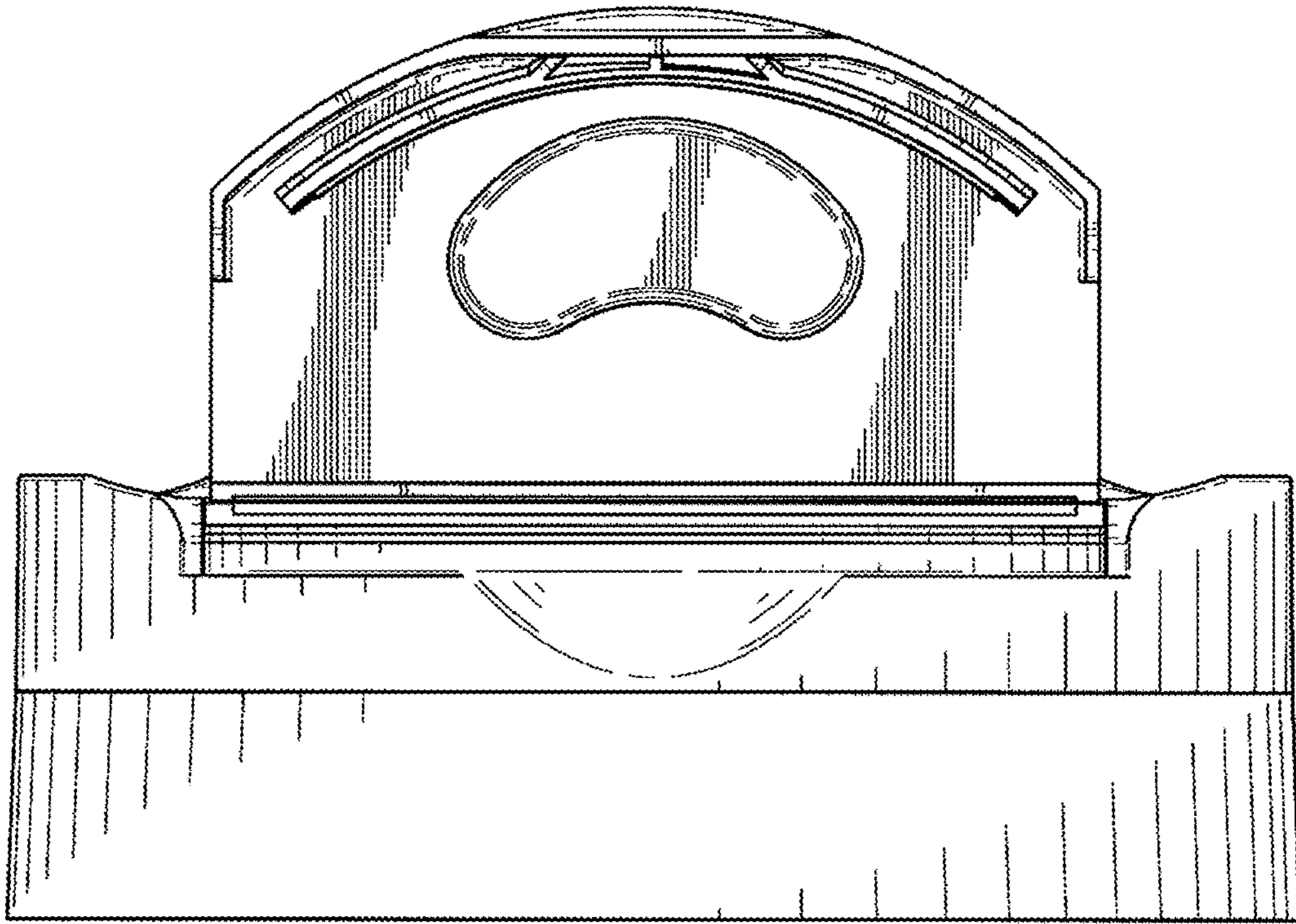


FIG. 14

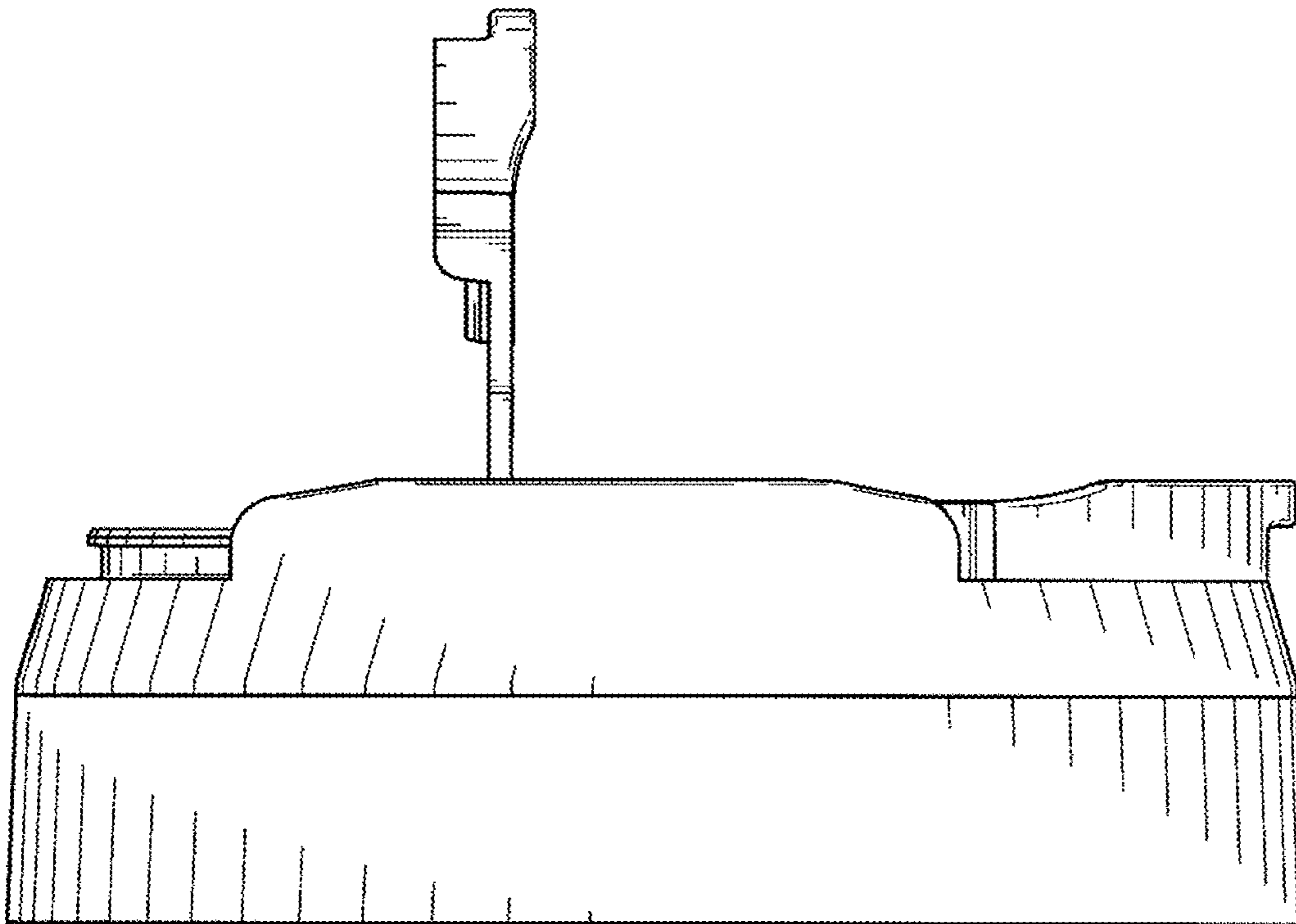


FIG. 15

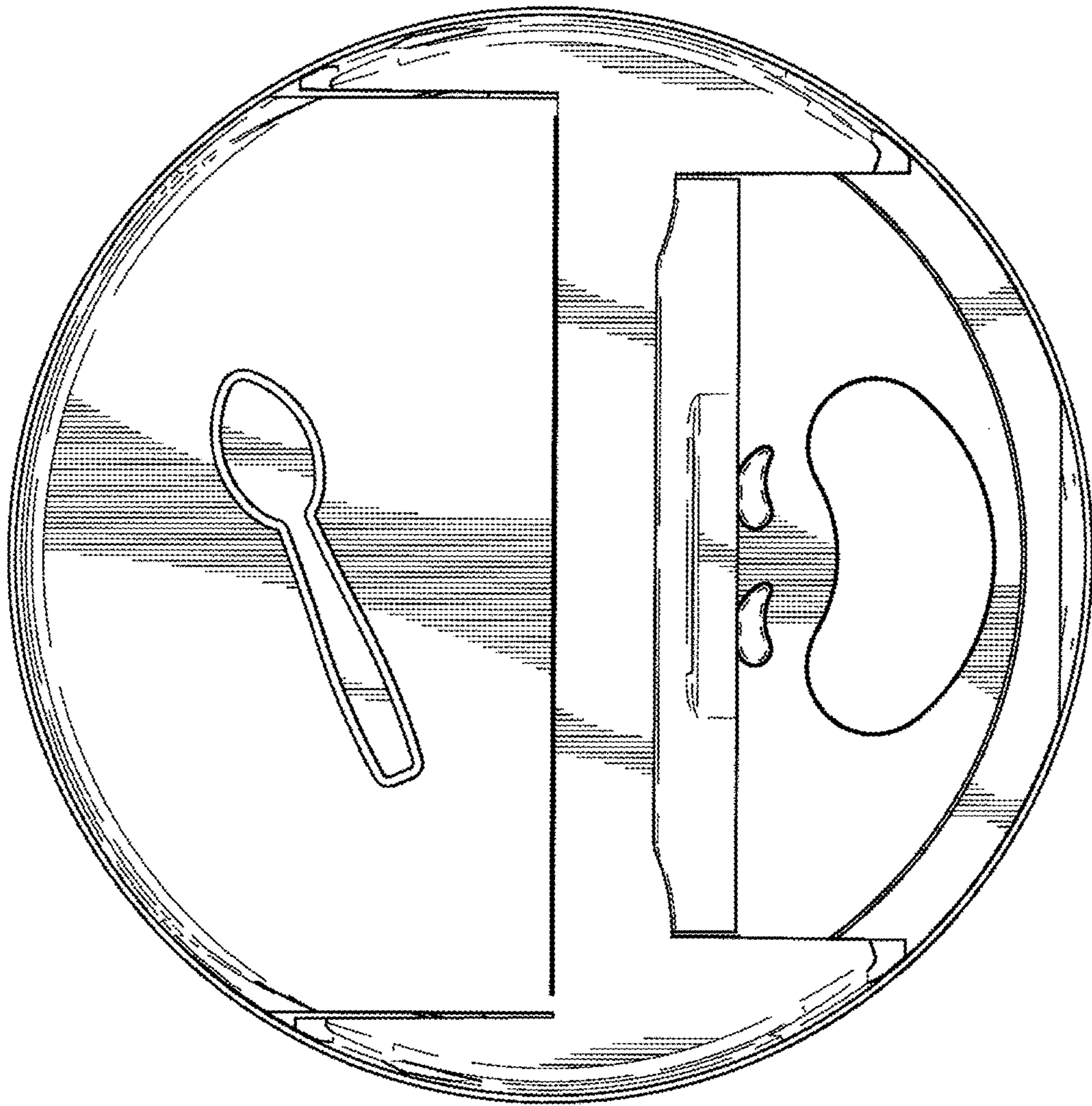


FIG. 16



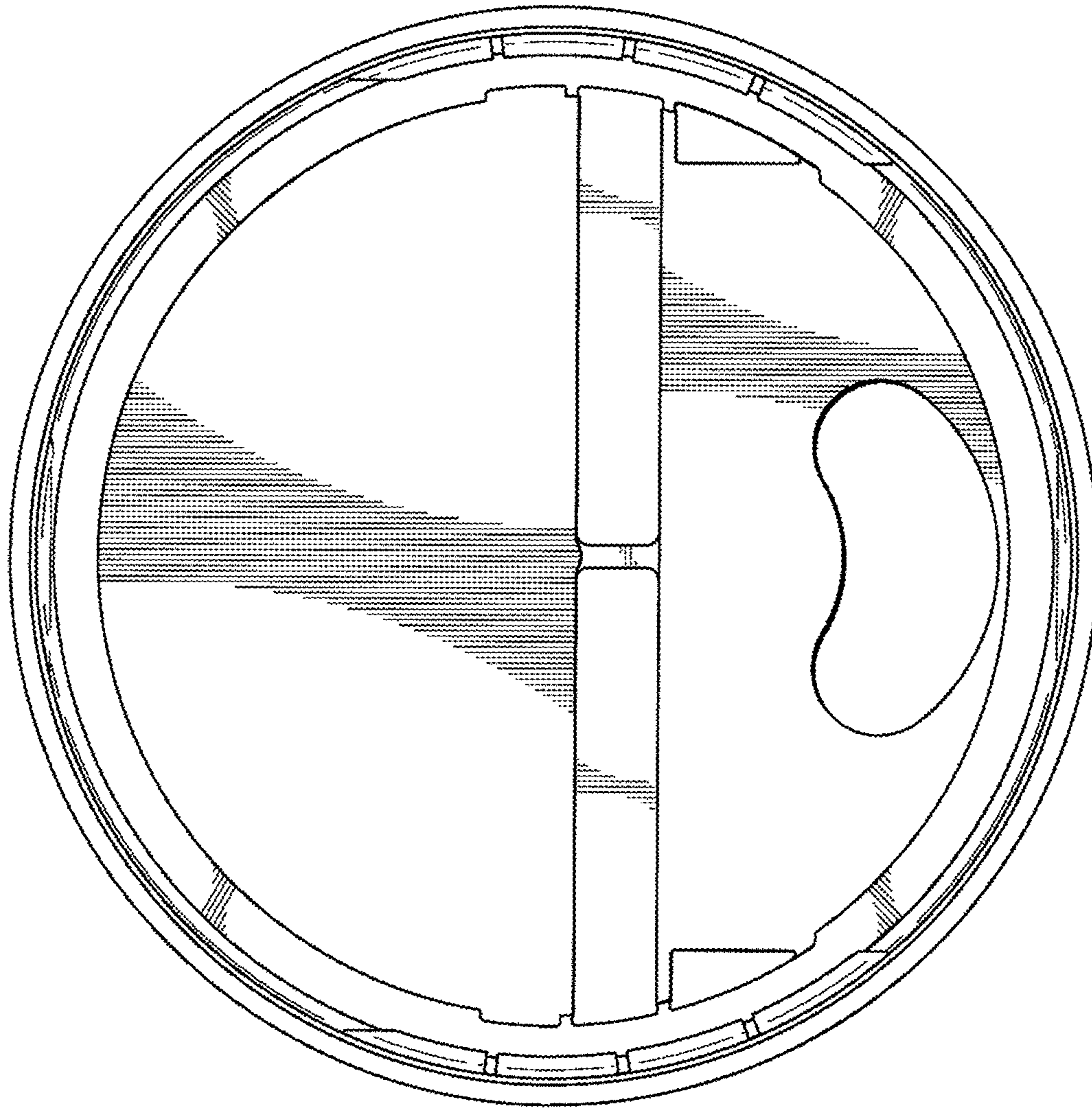


FIG. 17

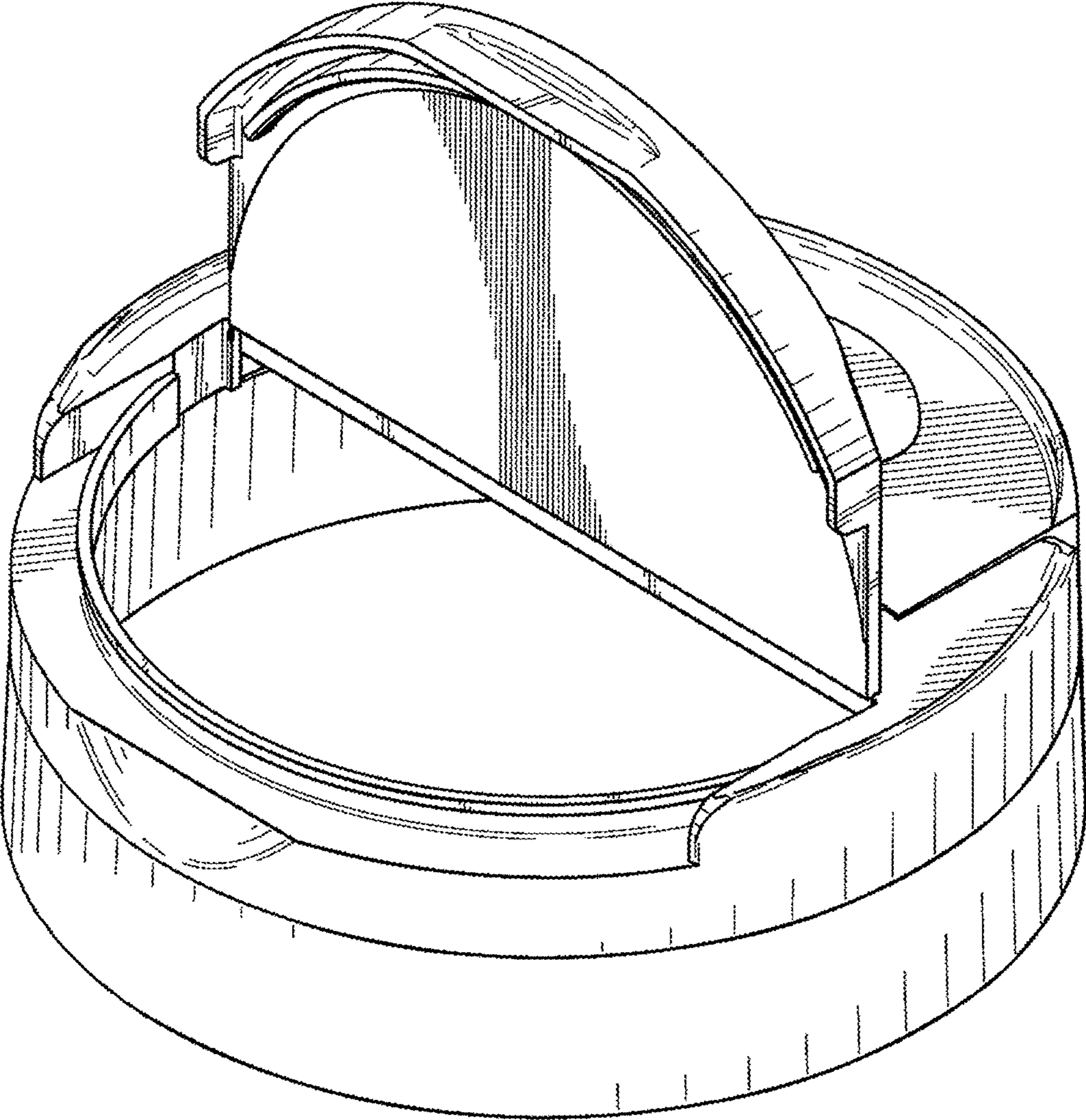


FIG. 18

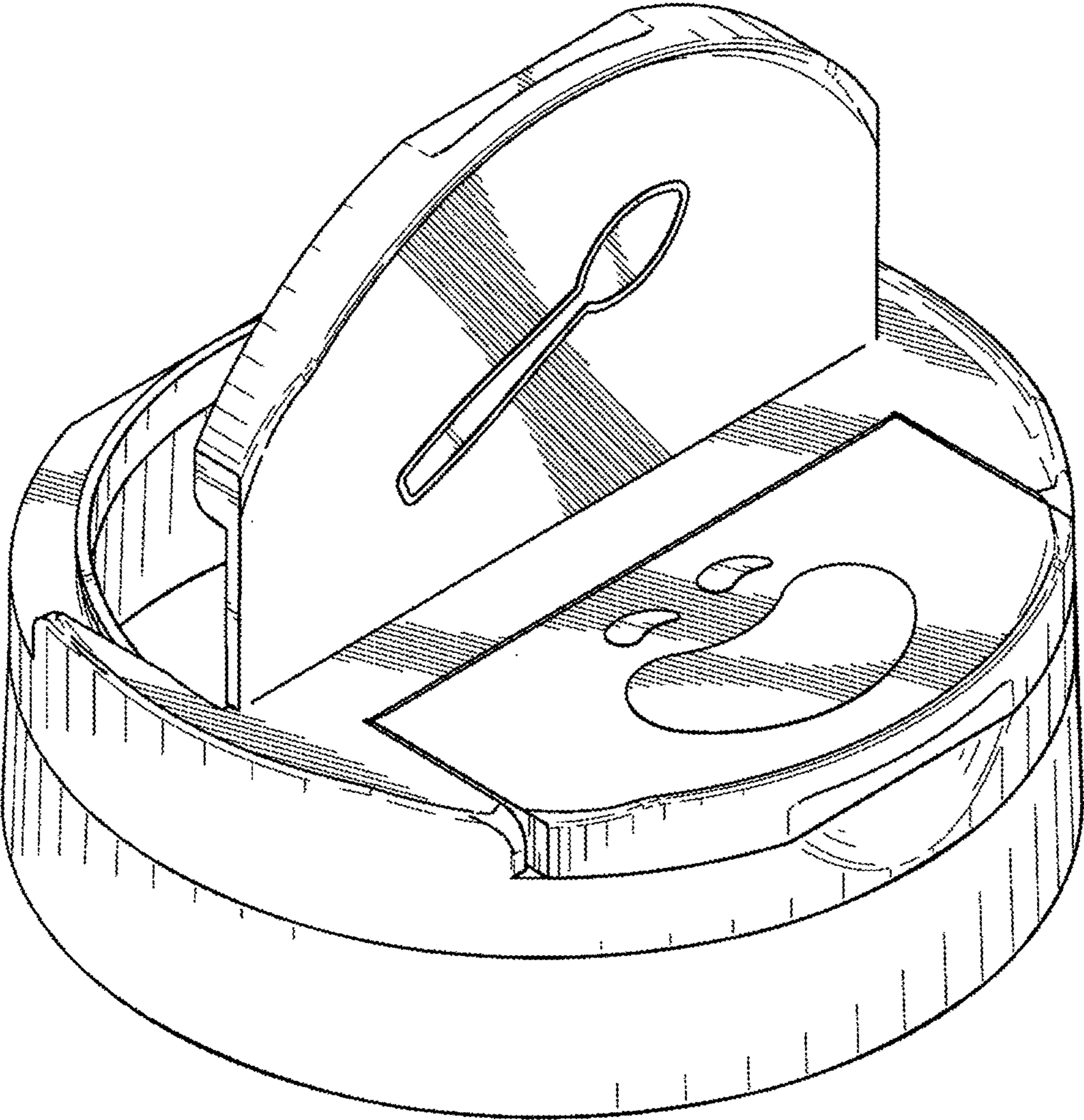


FIG. 19



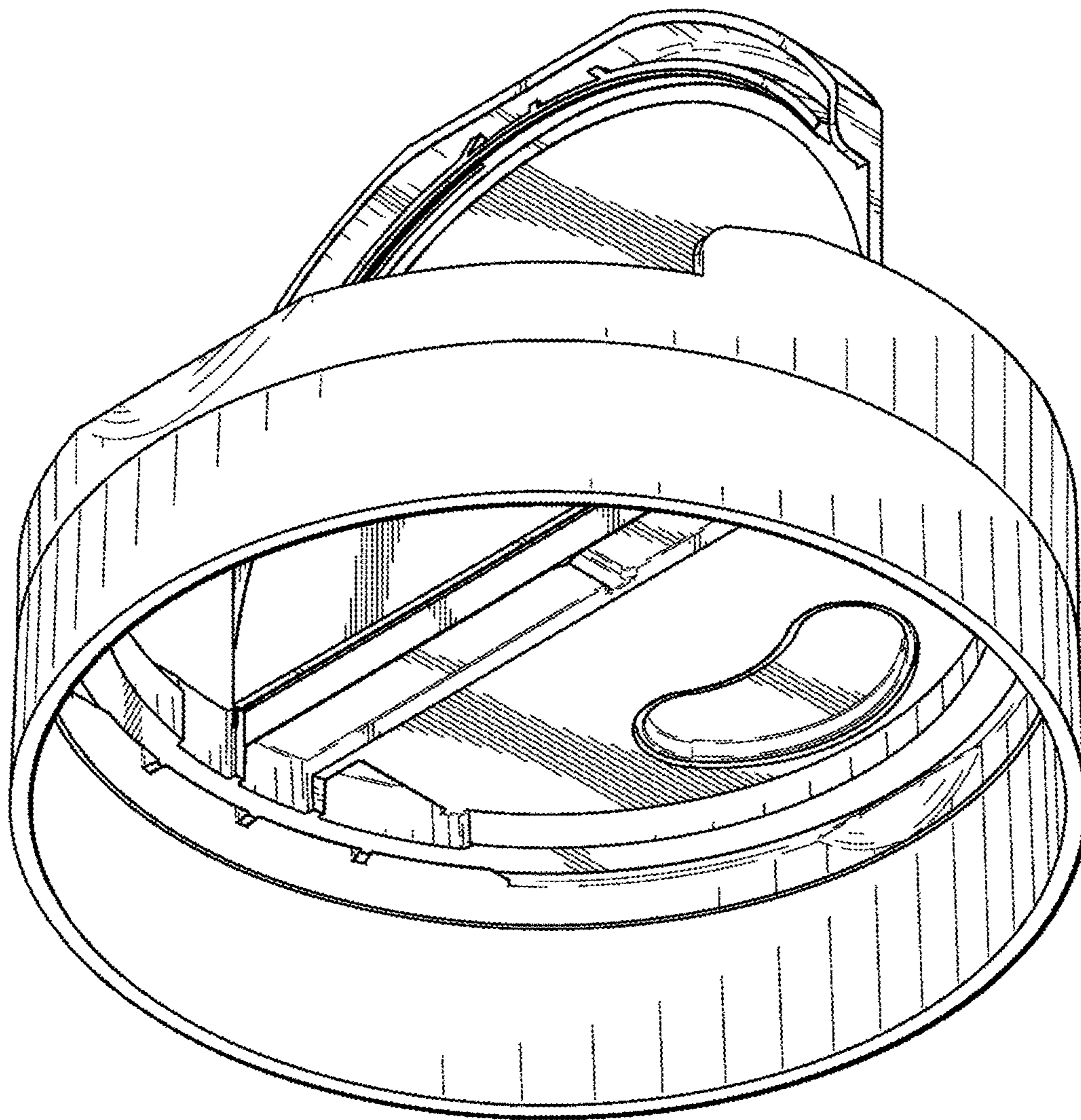


FIG. 20

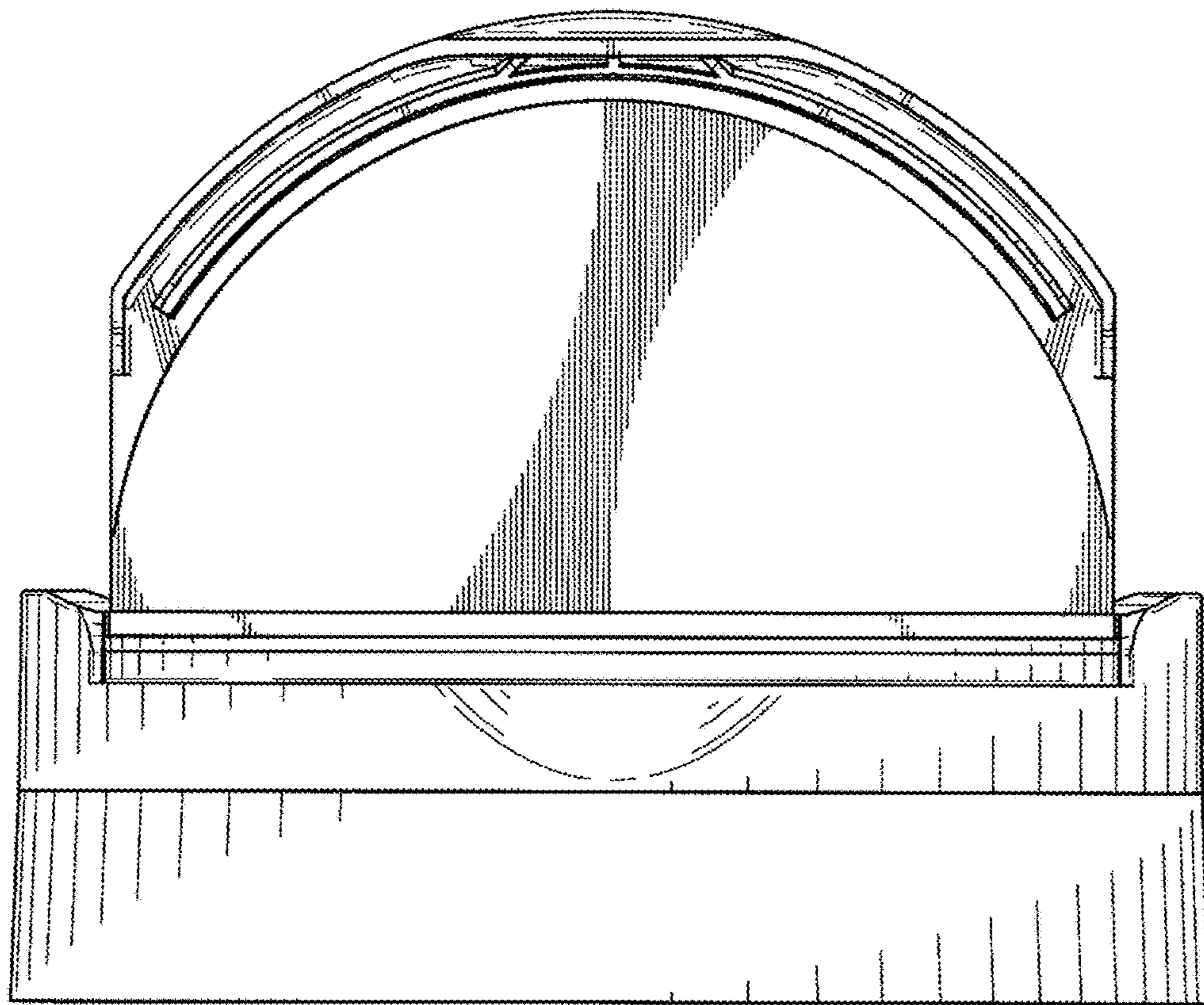


FIG. 21

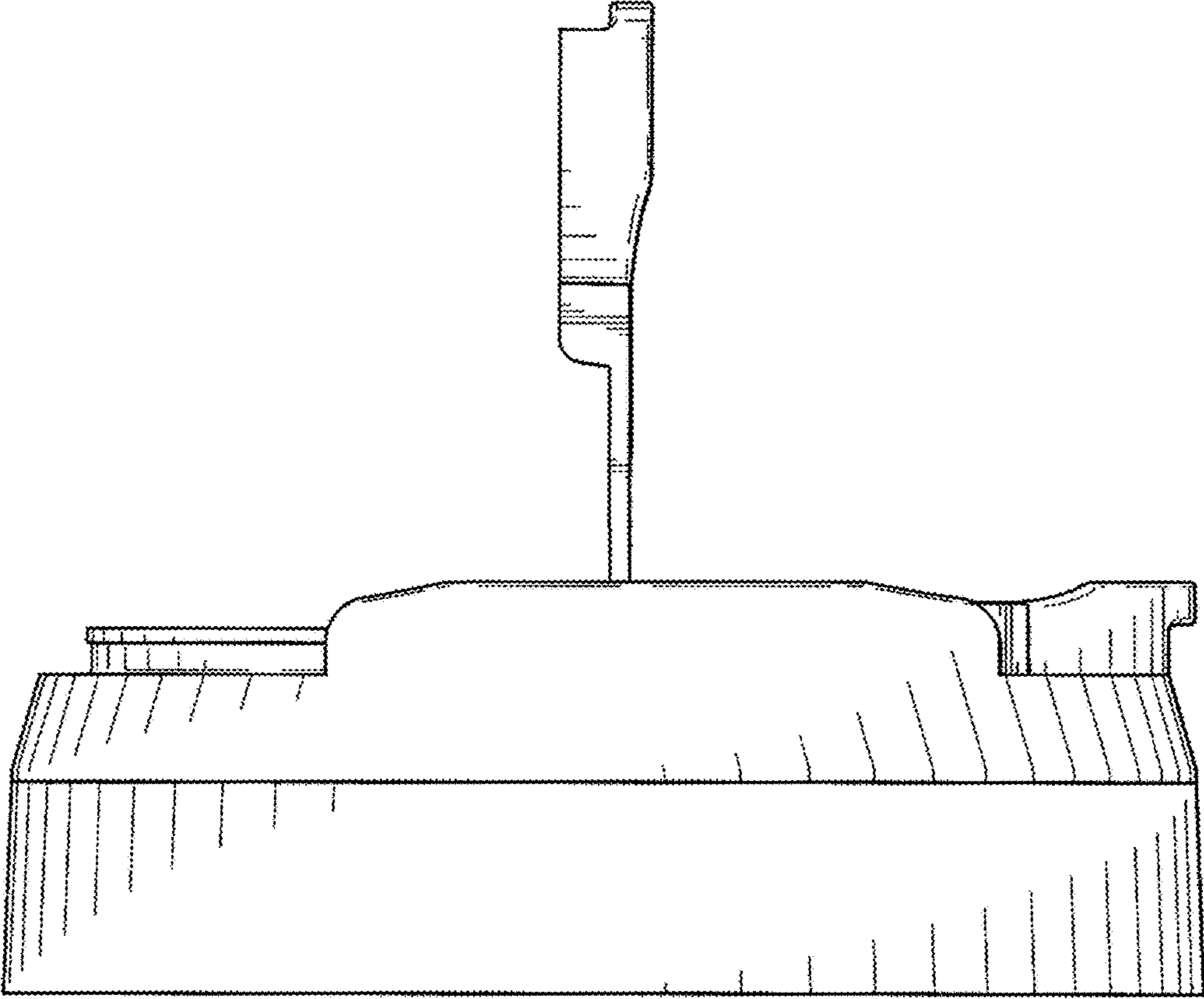


FIG. 22



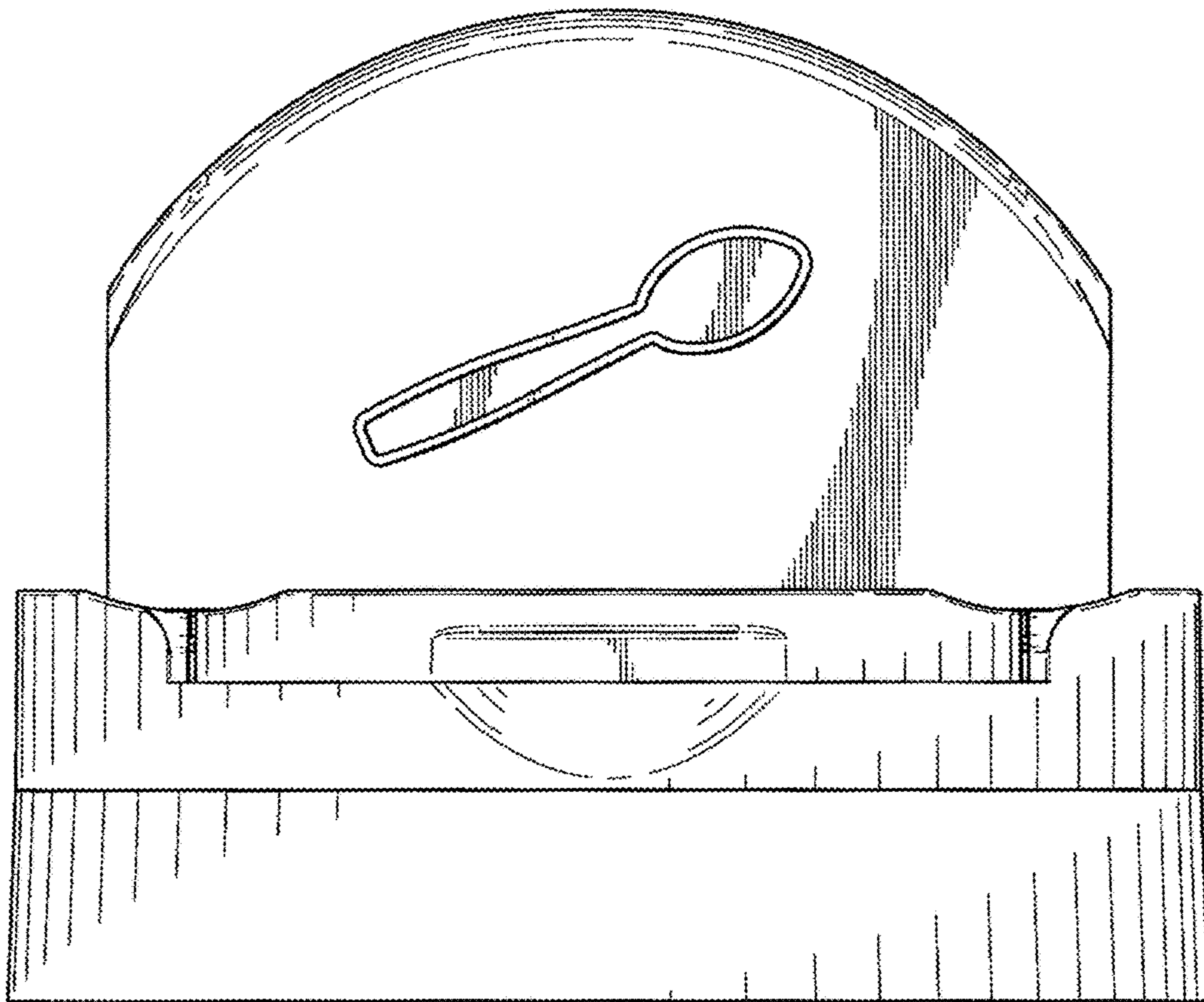


FIG. 23

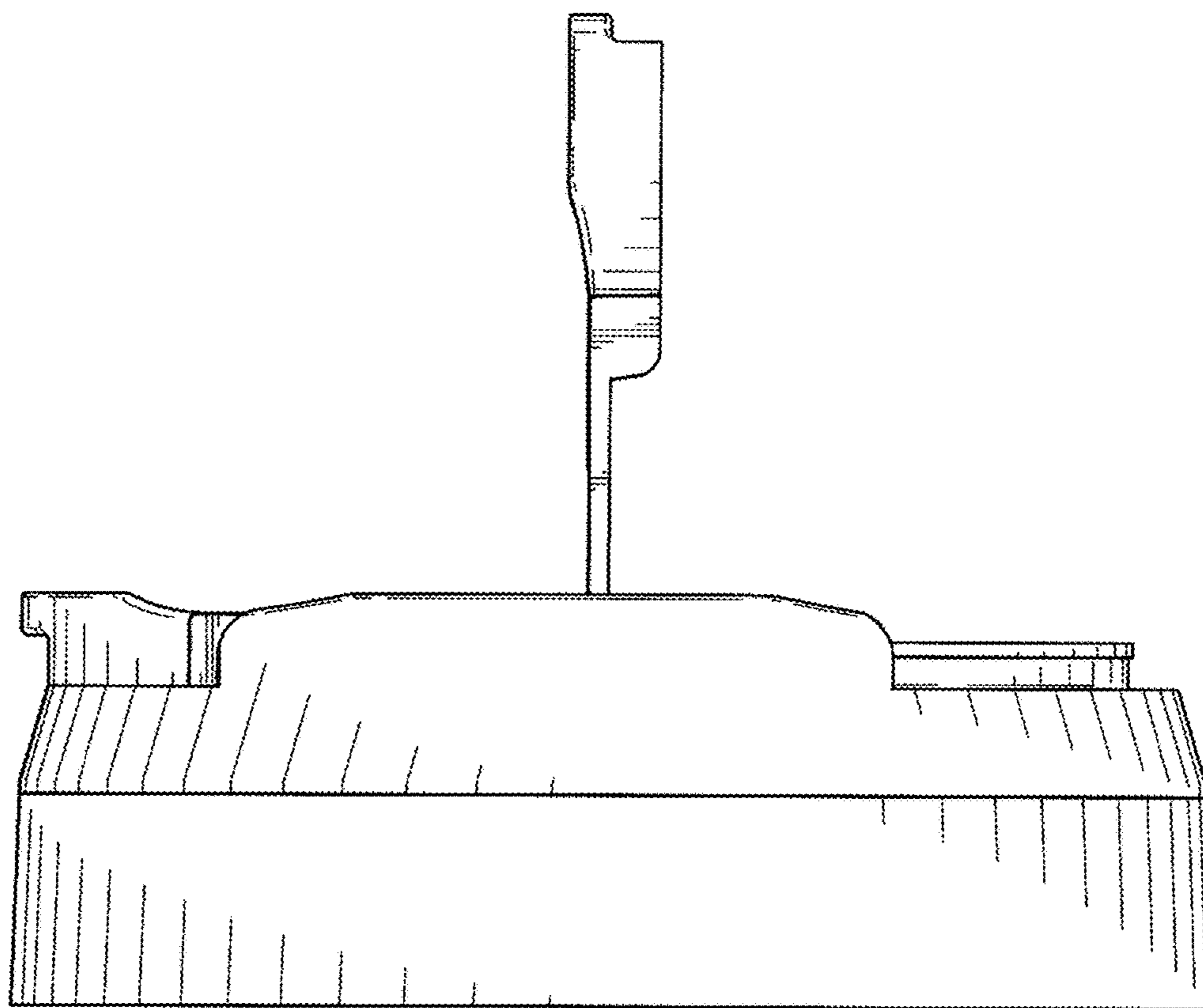


FIG. 24

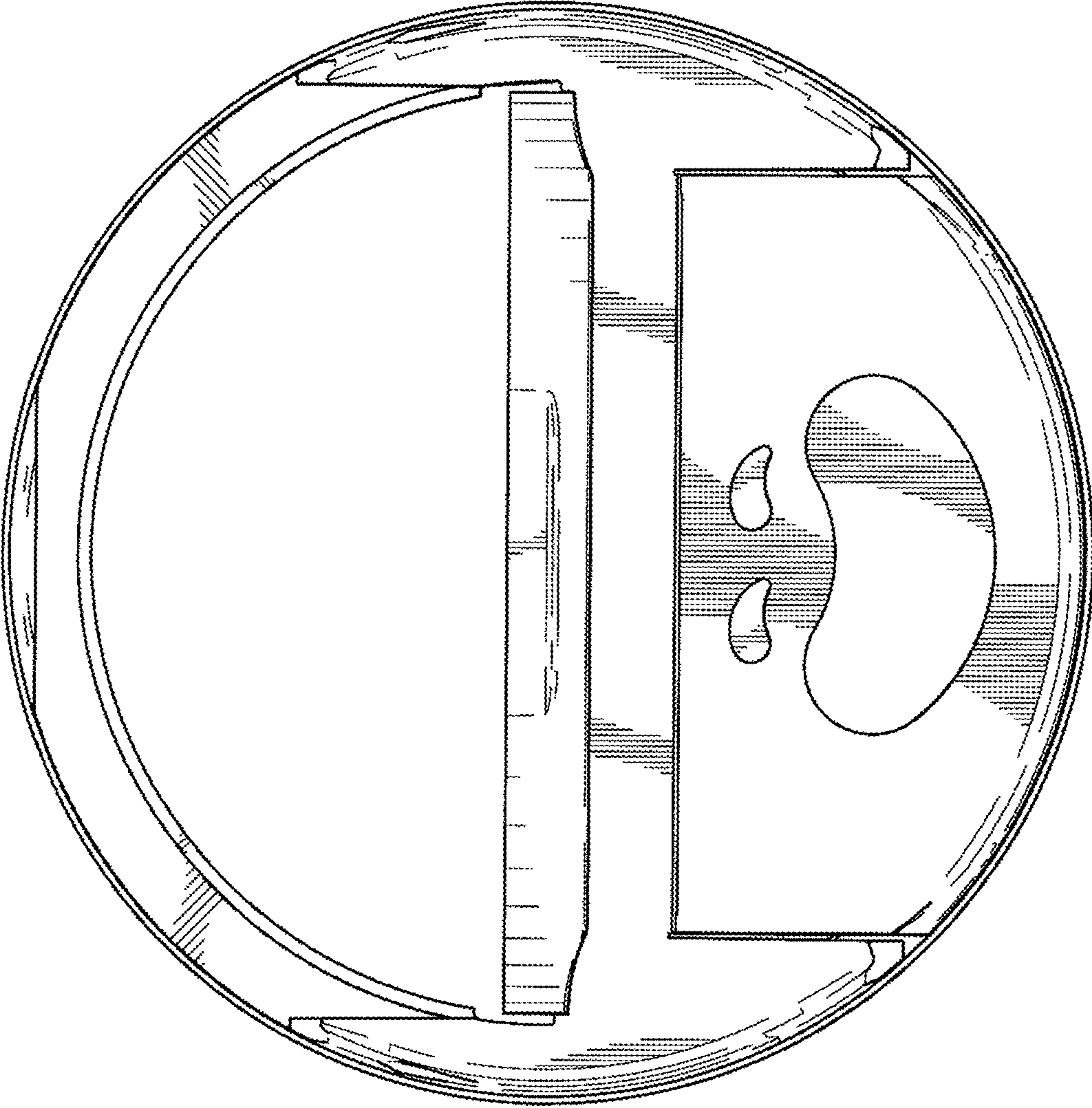


FIG. 25



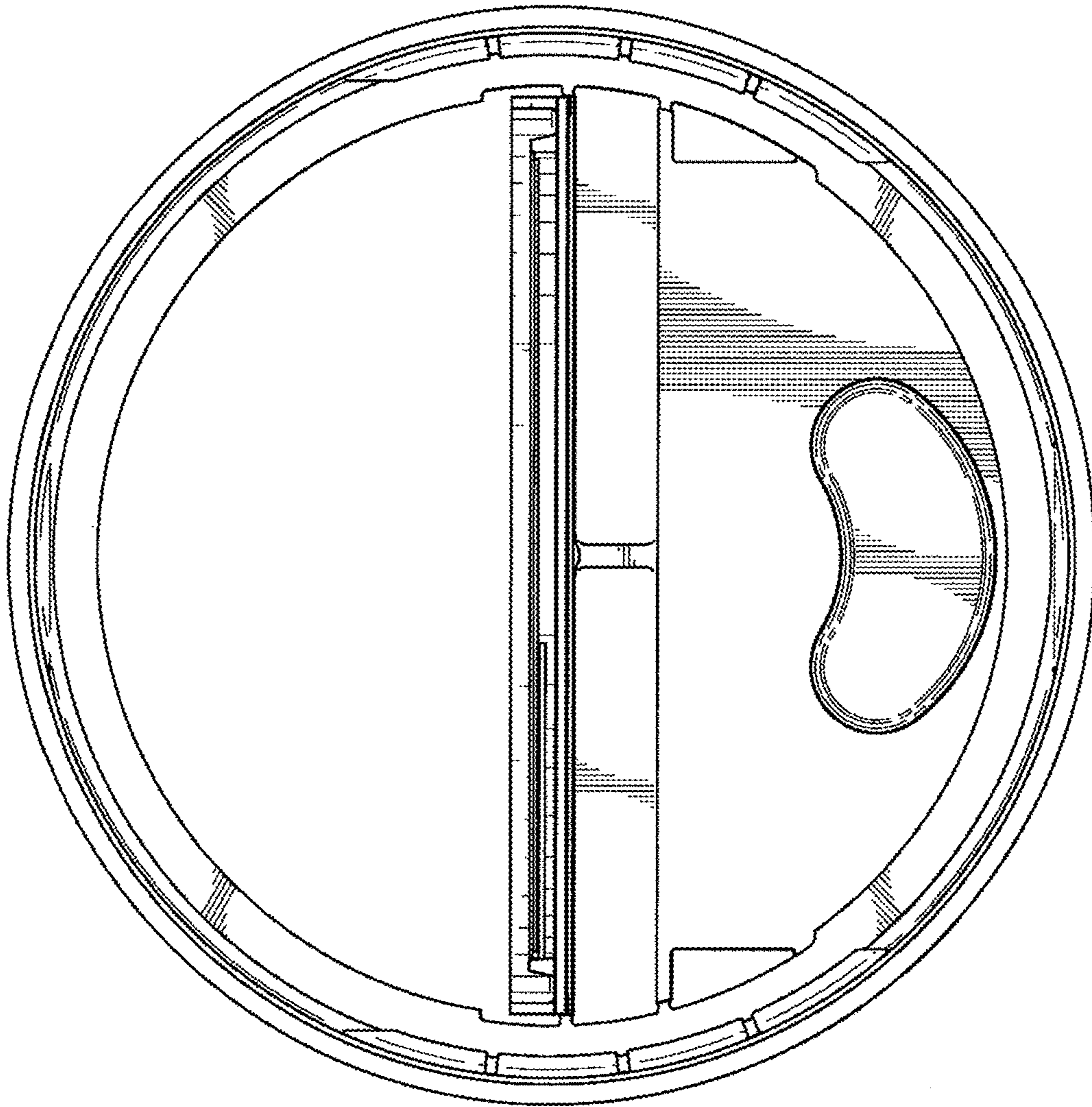


FIG. 26