



US00D828754S

(12) **United States Design Patent** (10) **Patent No.:** **US D828,754 S**
Liu (45) **Date of Patent:** **** Sep. 18, 2018**

(54) **SEALING LID FOR A CONTAINER**

(71) Applicant: **Free-Free Industrial Corp.**, Taipei (TW)

(72) Inventor: **Sheng-Yu Liu**, Taipei (TW)

(73) Assignee: **FREE-FREE INDUSTRIAL CORP.**, Taipei (TW)

(**) Term: **15 Years**

(21) Appl. No.: **29/570,065**

(22) Filed: **Jul. 5, 2016**

(30) **Foreign Application Priority Data**

Jan. 6, 2016 (TW) 105300034

(51) **LOC (11) Cl.** **09-07**

(52) **U.S. Cl.**
USPC **D9/439**; D9/443

(58) **Field of Classification Search**
USPC D7/387, 388, 396.2, 396.4, 396.6, 398, D7/403, 509, 510, 511, 391, 378, 412; D9/439, 415, 435, 440, 446-450, 452, D9/453, 454, 455-457, 499, 443, 436, D9/743, 744, 738, 761; D3/202, 203.2, D3/247, 294, 304, 318; D28/91.1
CPC .. A61J 1/00; A61J 1/1412; B65D 1/00; B65D 1/02; B65D 1/10; B65D 1/46; B65D 2585/56; B65D 41/00; B65D 41/56; B65D 41/62; B65D 47/06; B65D 47/08; B65D 2543/00046; B65D 2543/00092; B65D 2543/00296; B01F 13/047; B01F 15/00214; F16P 3/08

See application file for complete search history.

(56) **References Cited**

U.S. PATENT DOCUMENTS

D311,334 S * 10/1990 Flynn D7/629
D326,391 S * 5/1992 Verchere D34/7

D332,379 S * 1/1993 Murphy D7/391
D354,655 S * 1/1995 Daenen D7/391
5,617,968 A * 4/1997 Luburic B65D 43/0256
220/266
D403,582 S * 1/1999 Nask D9/435
D403,583 S * 1/1999 Nask D9/435
5,896,993 A * 4/1999 Nask B65D 21/0219
206/508
5,979,691 A * 11/1999 Von Holdt B65D 43/0256
220/266
D478,786 S * 8/2003 Kotsonis D7/629
6,869,114 B2 * 3/2005 Ueki E05C 19/022
292/341.17
D521,811 S * 5/2006 Yourist D7/615
D572,086 S * 7/2008 Matsumoto D7/614
D610,412 S * 2/2010 Matsumoto D7/629
D619,424 S * 7/2010 Yang D7/615
D622,591 S * 8/2010 Biesecker D9/435

(Continued)

Primary Examiner — Shannon W Morgan

(74) *Attorney, Agent, or Firm* — Husch Blackwell LLP

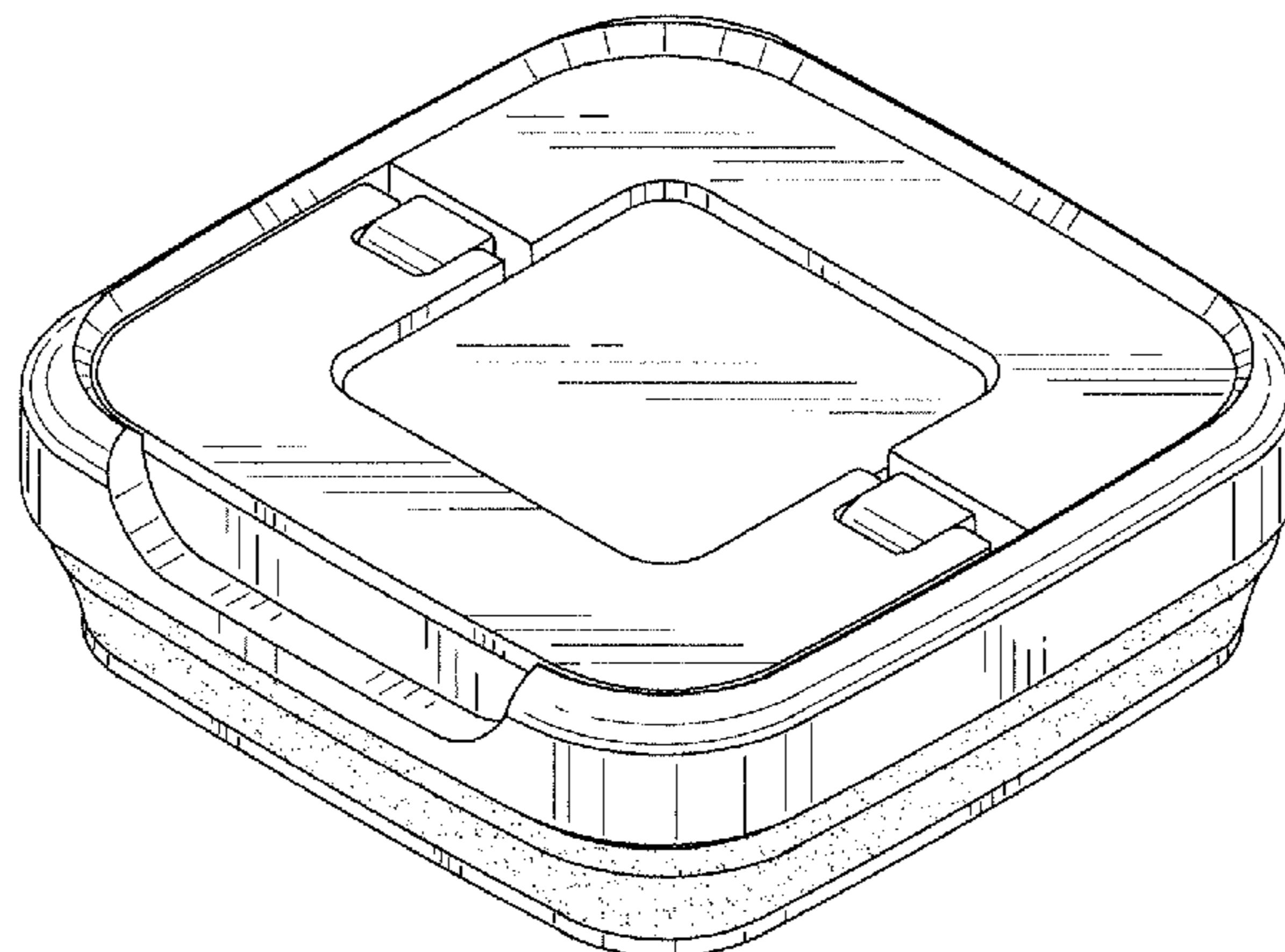
(57) **CLAIM**

The ornamental design for a sealing lid for a container, as shown and described.

DESCRIPTION

FIG. 1 is a perspective view of a sealing lid for a container showing my new design;
FIG. 2 is a front elevational view thereof;
FIG. 3 is a rear elevational view thereof;
FIG. 4 is a left side elevational view thereof;
FIG. 5 is a right side elevational view thereof;
FIG. 6 is a top plan view thereof; and,
FIG. 7 is a bottom plan view thereof.
Where included, the use of stippling and shading is provided to show contrast in materials.
The broken lines are for illustrating portions of the article which form no part of the claimed design.

1 Claim, 4 Drawing Sheets



(56)

References Cited

U.S. PATENT DOCUMENTS

D647,359	S *	10/2011	Audette	D7/378
8,186,527	B2 *	5/2012	Liu	B65D 39/12
					215/317
D757,541	S *	5/2016	Wu	D9/439
D759,434	S *	6/2016	Duvigneau	D7/615
D765,508	S *	9/2016	Wu	D9/439
D771,431	S *	11/2016	Affatato	D7/354
D773,931	S *	12/2016	Liu	D9/449
D786,674	S *	5/2017	Miller	D9/446
D807,692	S *	1/2018	Yao	D7/392.1
D813,032	S *	3/2018	Daley	D9/435
D817,701	S *	5/2018	Ho	D7/391
D820,083	S *	6/2018	Daley	D9/435
D820,103	S *	6/2018	Miller	D9/560
D820,104	S *	6/2018	Miller	D9/560
D820,105	S *	6/2018	Miller	D9/560
2013/0312218	A1 *	11/2013	Kim	B65D 45/20
					16/110.1
2016/0229585	A1 *	8/2016	Peregoy	B65D 21/0215
2016/0296899	A1 *	10/2016	Hoare	A47J 43/046
2017/0190479	A1 *	7/2017	Liu	B65D 45/025

* cited by examiner

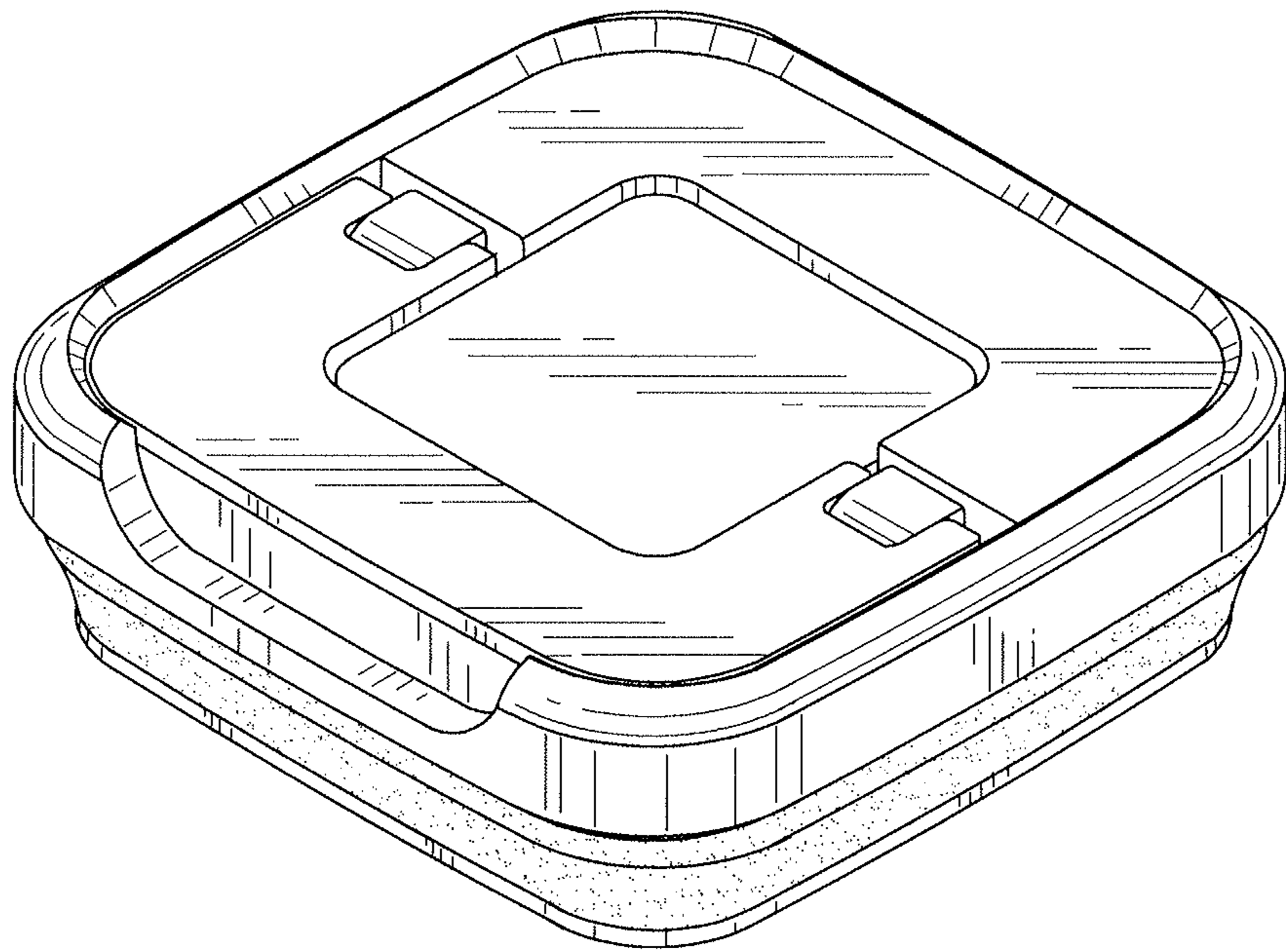


FIG.1

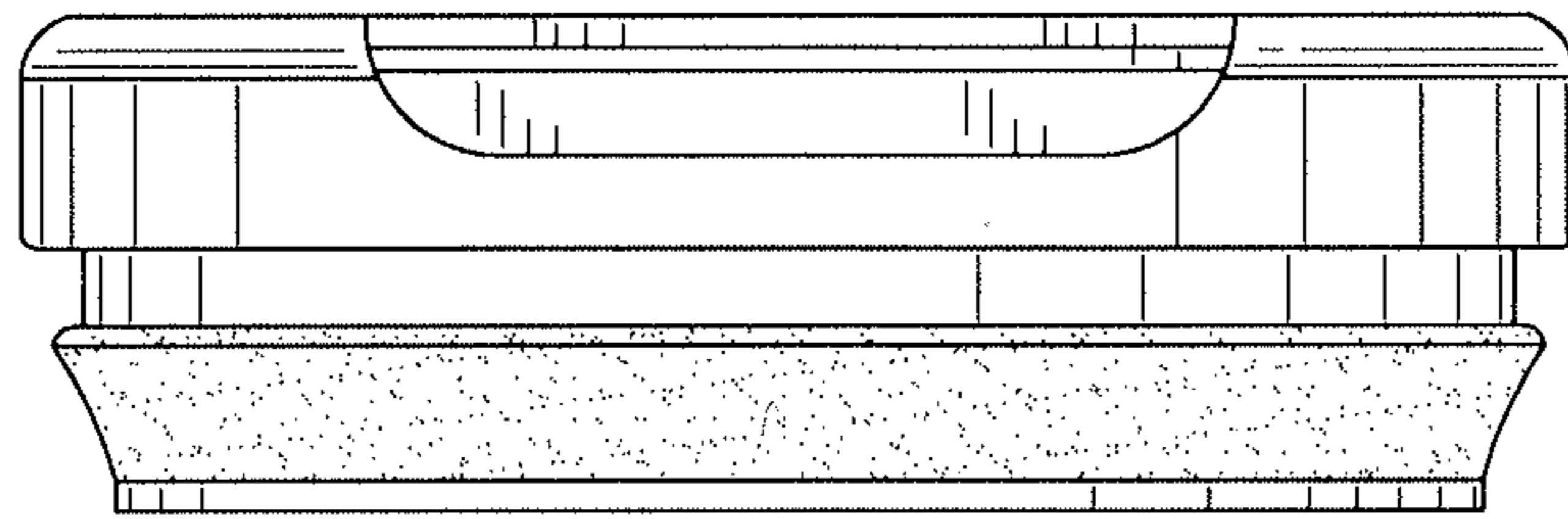


FIG. 2

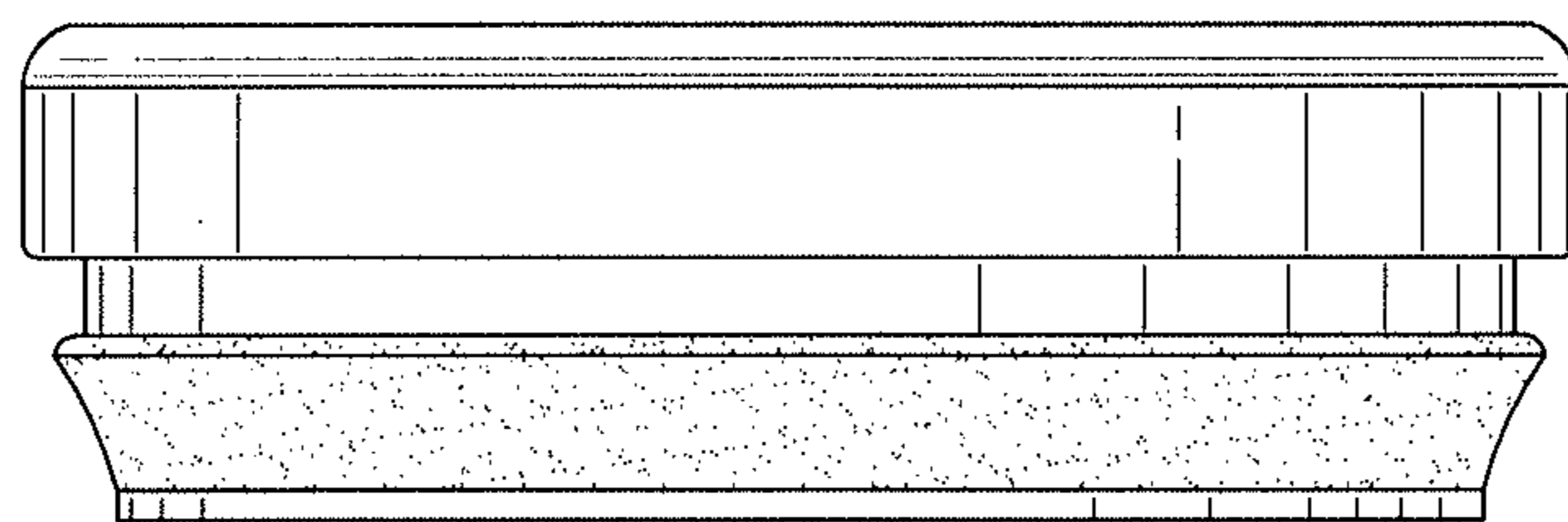


FIG. 3

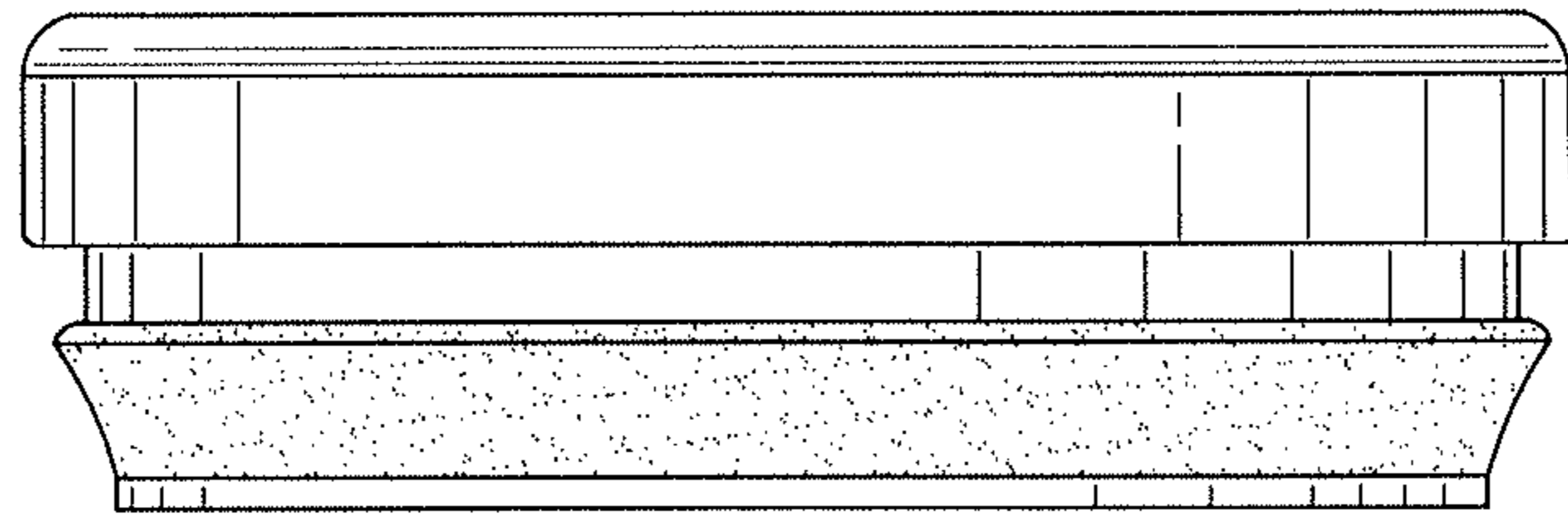


FIG. 4

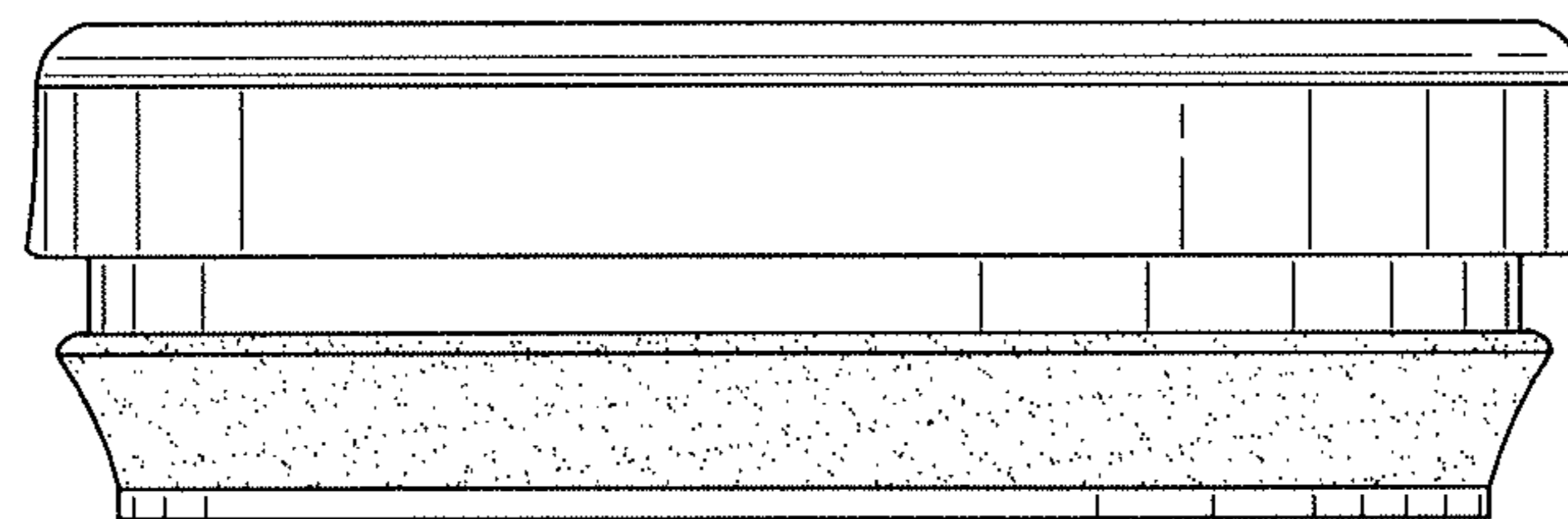


FIG. 5

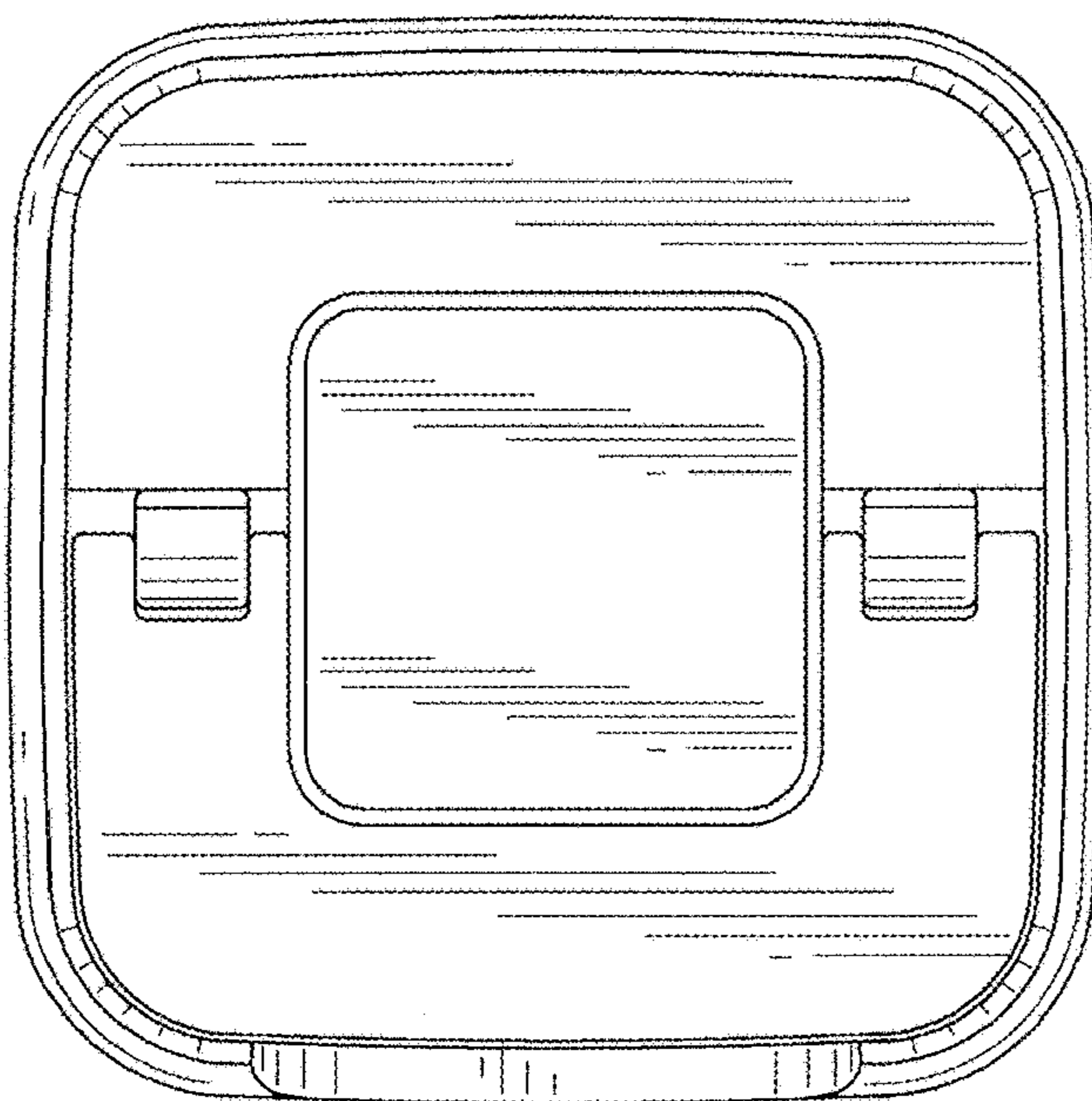


FIG. 6

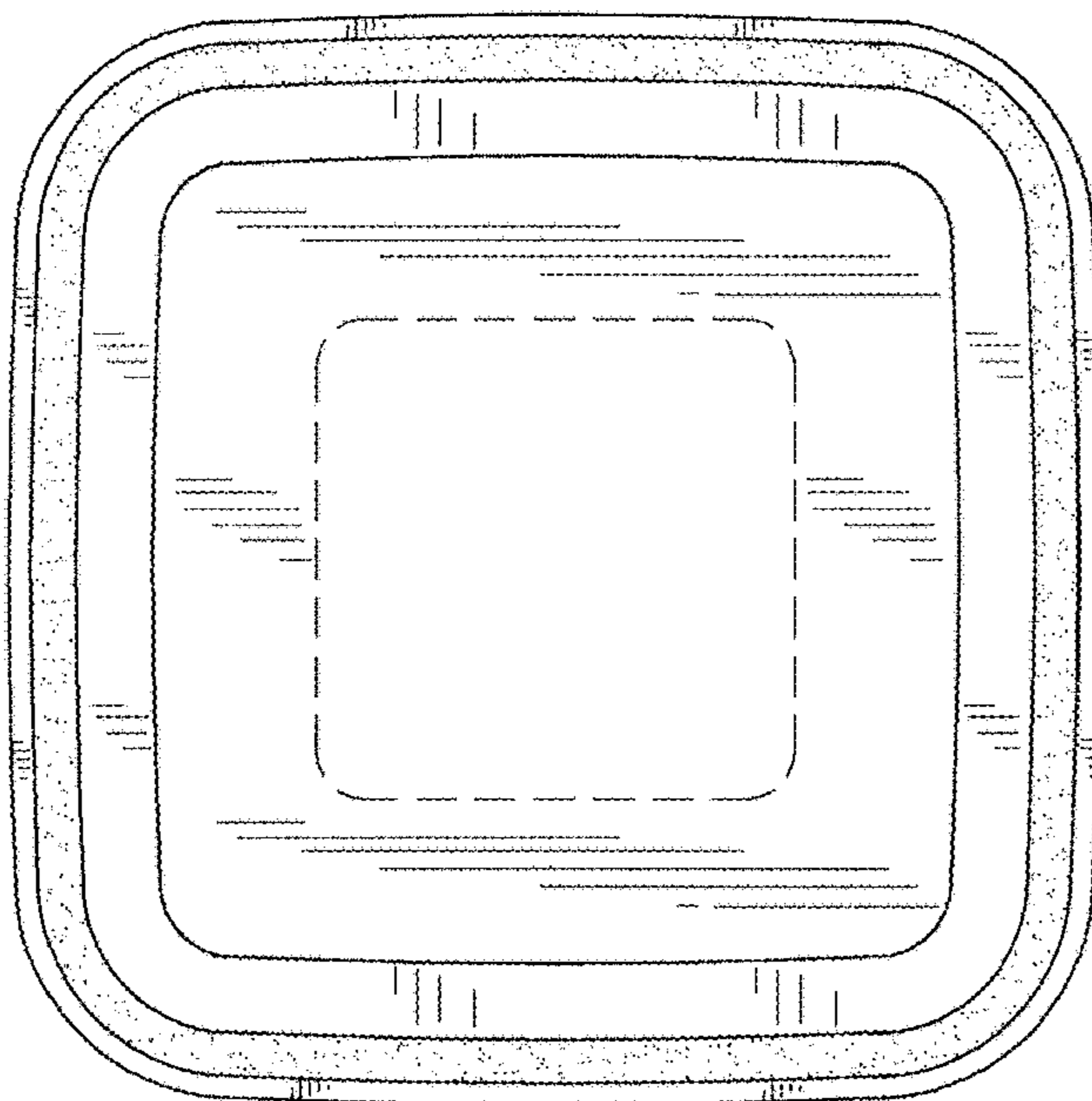


FIG. 7