



US00D828752S

(12) **United States Design Patent**
Ploeger

(10) **Patent No.:** **US D828,752 S**

(45) **Date of Patent:** **** Sep. 18, 2018**

(54) **ADAPTER FOR CONNECTING A FUNNEL TO FILLING PORT OF A VEHICLE CRANKCASE**

(71) Applicant: **Lisle Corporation**, Clarinda, IA (US)

(72) Inventor: **Randall J. Ploeger**, Clarinda, IA (US)

(73) Assignee: **Lisle Corporation**, Clarinda, IA (US)

(**) Term: **15 Years**

(21) Appl. No.: **29/595,792**

(22) Filed: **Mar. 2, 2017**

(51) **LOC (11) Cl.** **09-07**

(52) **U.S. Cl.**
USPC **D9/435; D15/152**

(58) **Field of Classification Search**
USPC D7/700; D8/382; D9/436, 447, 454,
D9/503, 536; D12/172, 197; D13/118,
D13/151, 133; D15/150, 151, 152, 199;
D23/260, 262, 259, 200; D24/129;
D26/24

CPC .. B67D 7/348; G02B 6/3878; F01M 11/0458;
F01M 11/04; F16N 2037/006

See application file for complete search history.

(56) **References Cited**

U.S. PATENT DOCUMENTS

- D244,027 S * 4/1977 Mooney D13/156
- 4,059,033 A * 11/1977 Johnson B67B 7/18
81/125
- 4,126,557 A * 11/1978 Hodgkins B01D 35/30
210/249
- 4,800,309 A * 1/1989 Lakin F16C 23/045
310/89
- 4,920,975 A * 5/1990 Fay A61B 10/0051
600/573
- D332,481 S * 1/1993 Petty D23/262
- 5,188,157 A * 2/1993 Lee B67C 11/02
141/330
- D369,850 S * 5/1996 Cammack D23/209

- D396,006 S * 7/1998 Harris D9/447
- D415,552 S * 10/1999 Malorni D23/200
- D439,663 S * 3/2001 Guala D24/129
- D513,180 S * 12/2005 Lindsey D9/447
- D543,947 S * 6/2007 Phung D13/151
- D554,067 S * 10/2007 Phung D13/151
- D594,395 S * 6/2009 Yoshii D12/197
- D601,964 S * 10/2009 Rupp D13/147
- D623,062 S * 9/2010 Gullickson D9/447
- D634,592 S * 3/2011 Bittner D7/700
- D659,100 S * 5/2012 Deiss D13/151
- D682,690 S * 5/2013 Bowes D9/439

(Continued)

OTHER PUBLICATIONS

Snap-On, Kit, Master Oil Funnel, 5 pc., Item OFKIT, <<https://store.snapon.com/Funnels-Spouts-Kit-Master-Oil-Funnel-5-pc-P812973.aspx>>, May 18, 2016.

(Continued)

Primary Examiner — Patricia A Palasik

(74) *Attorney, Agent, or Firm* — Banner & Witcoff, Ltd.

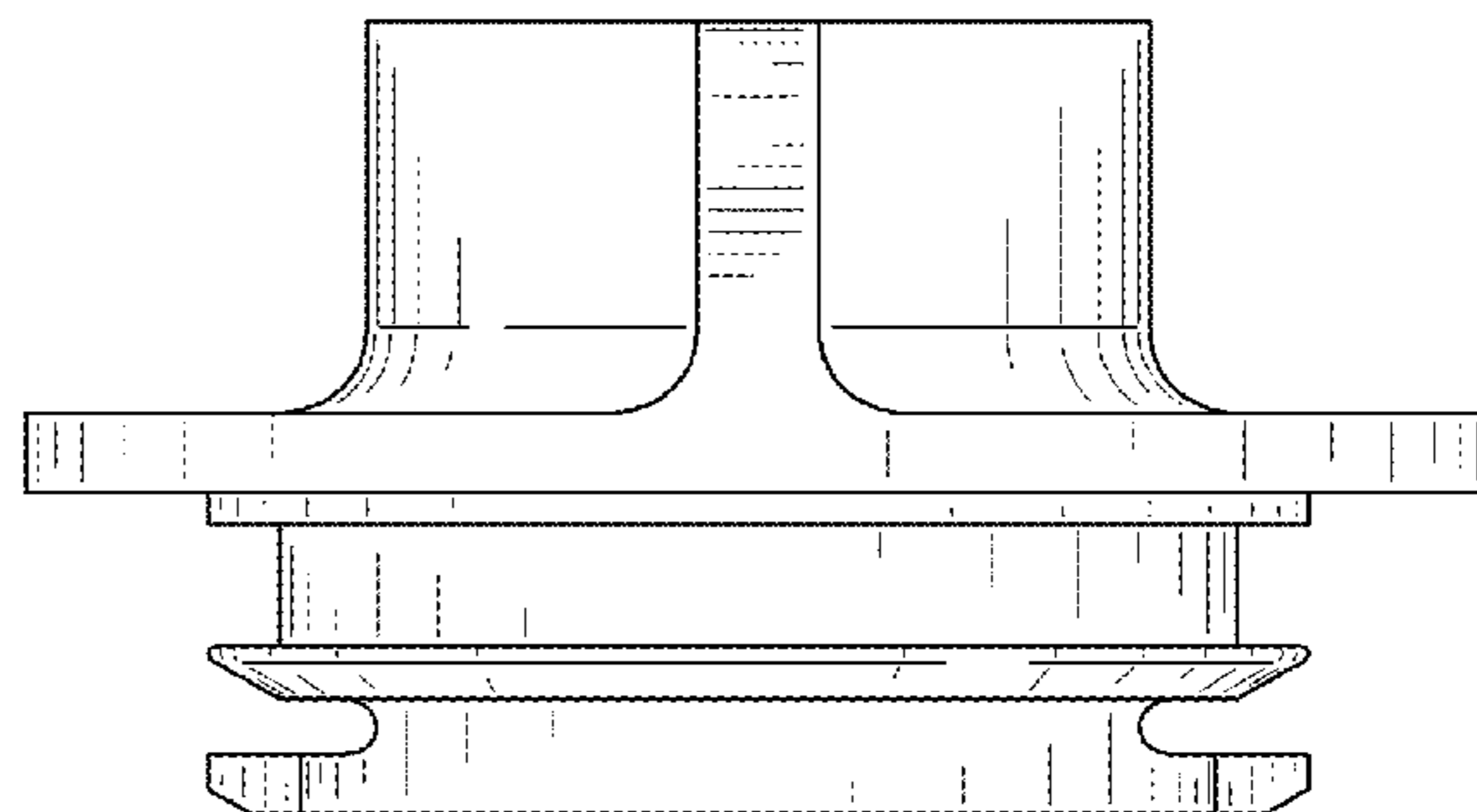
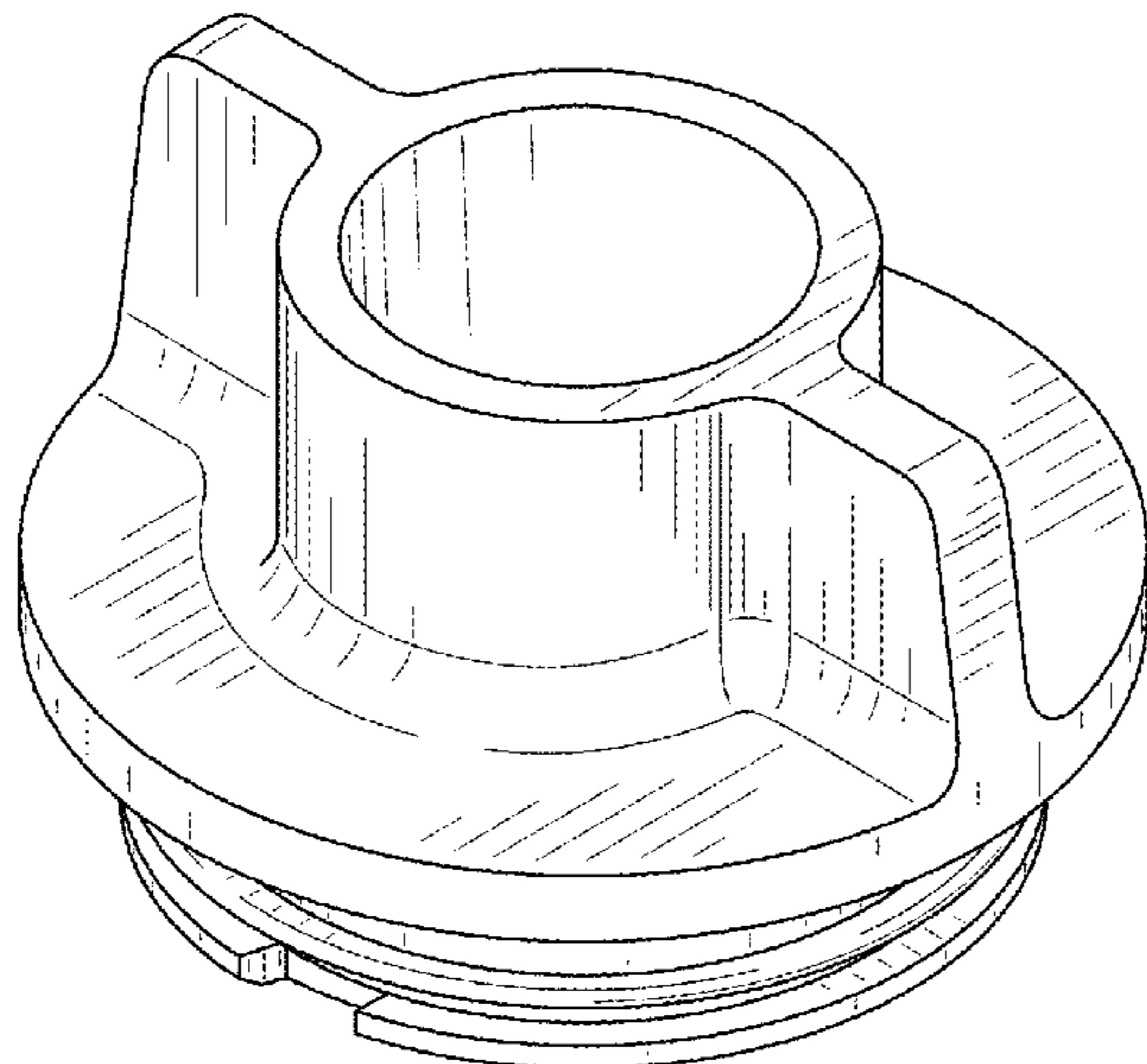
(57) **CLAIM**

The ornamental design for an adapter for connecting a funnel to filling port of a vehicle crankcase, as shown and described.

DESCRIPTION

FIG. 1 is a top, front, right perspective view of an adapter for connecting a funnel to filling port of a vehicle crankcase showing my new design;
FIG. 2 is a right side view thereof;
FIG. 3 is a left side view thereof;
FIG. 4 is a front view thereof;
FIG. 5 is a rear view thereof;
FIG. 6 is a top view thereof; and,
FIG. 7 is a bottom view thereof.

1 Claim, 4 Drawing Sheets



(56)

References Cited

U.S. PATENT DOCUMENTS

D712,014 S * 8/2014 Guest D23/262
D719,961 S * 12/2014 Xiang D14/447
D739,493 S * 9/2015 Wyne D23/200
D752,719 S * 3/2016 Lehmann D23/259
D756,760 S * 5/2016 Fay, II D15/17
9,416,698 B2 * 8/2016 Meeks F01M 11/0458
D770,266 S * 11/2016 Tar D8/382
D777,565 S * 1/2017 Yeh D8/382
D785,789 S * 5/2017 Turturro D24/129
2004/0084449 A1 * 5/2004 Howard F01M 11/04
220/86.2
2011/0100985 A1 * 5/2011 Tsiberidis B60K 13/04
220/86.2
2016/0070072 A1 * 3/2016 Penumatcha G02B 6/3817
385/59

OTHER PUBLICATIONS

CTA Manufacturing Corp., 10 pc. Oil Filling System with Universal Funnel, #7480, www.ctatools.com <ctatools.com>, 2015.

* cited by examiner

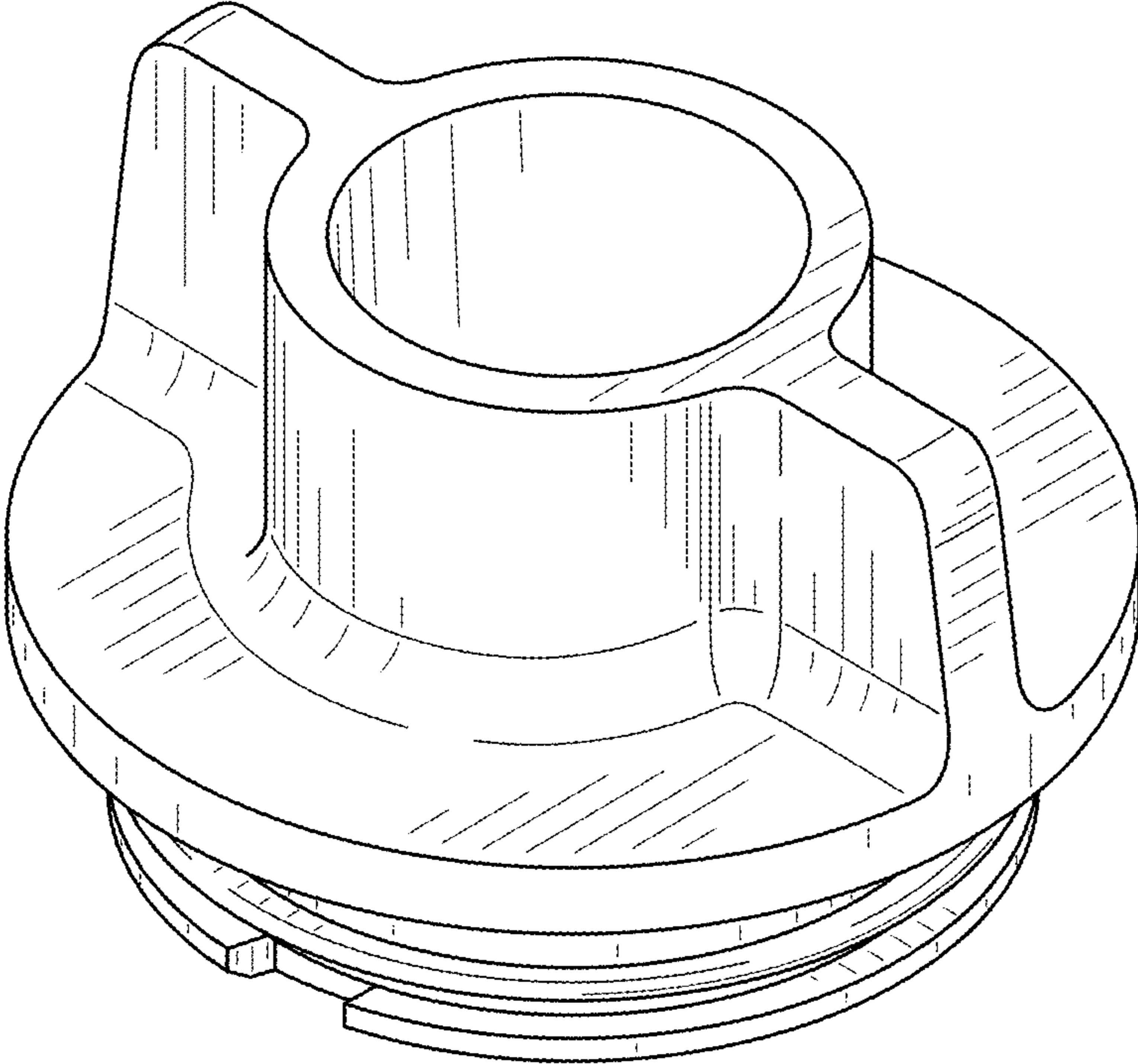


FIG. 1

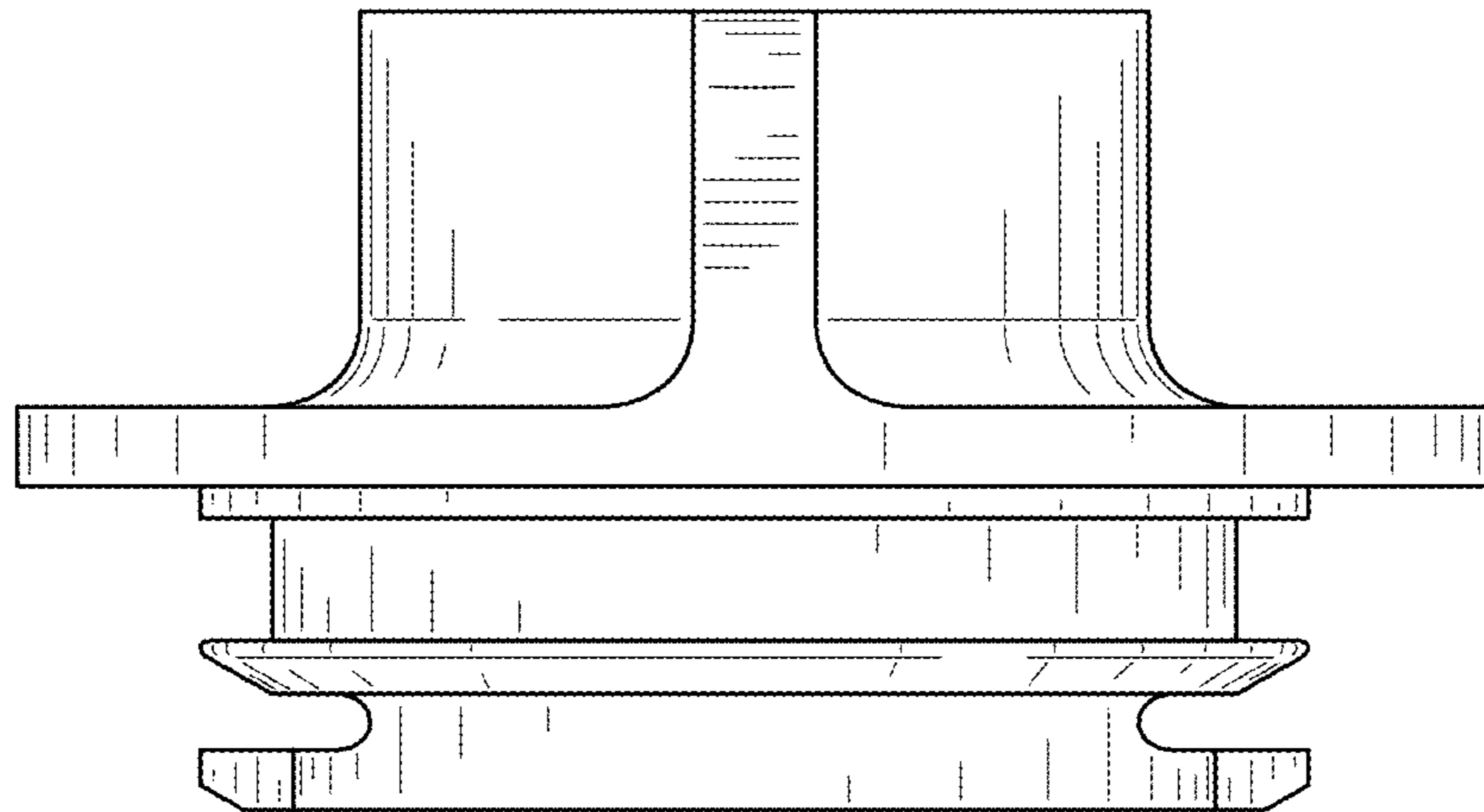


FIG. 2

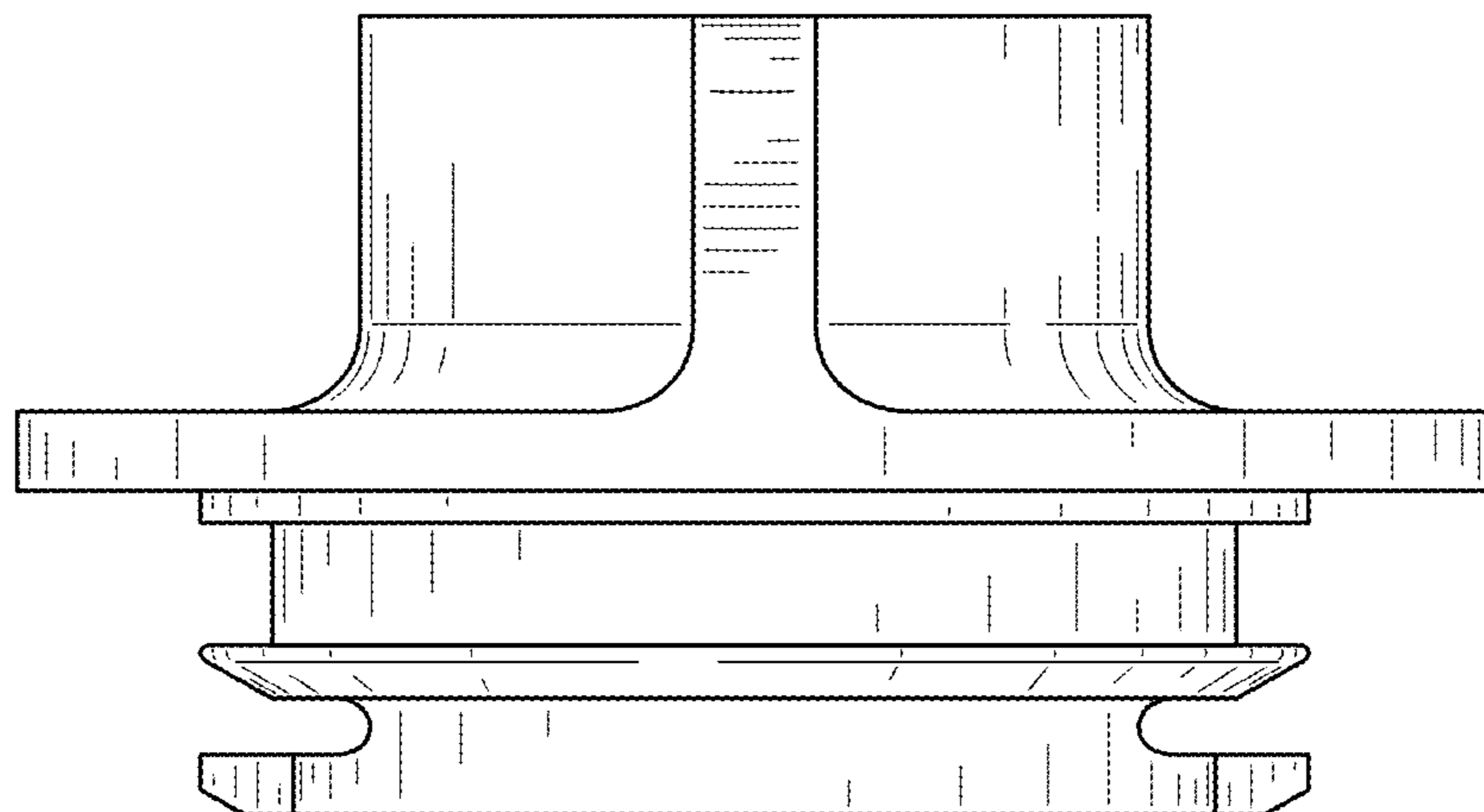


FIG. 3

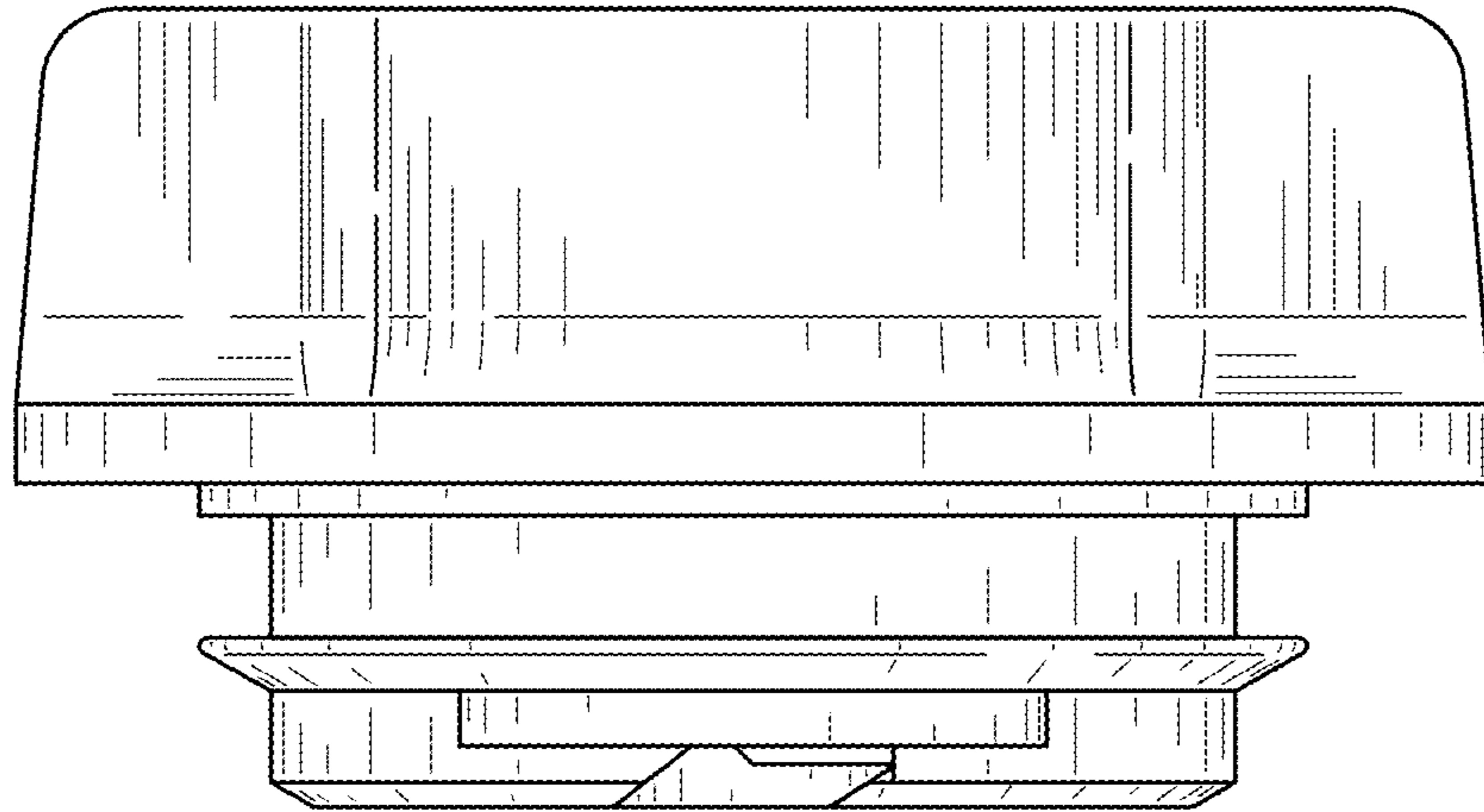


FIG. 4

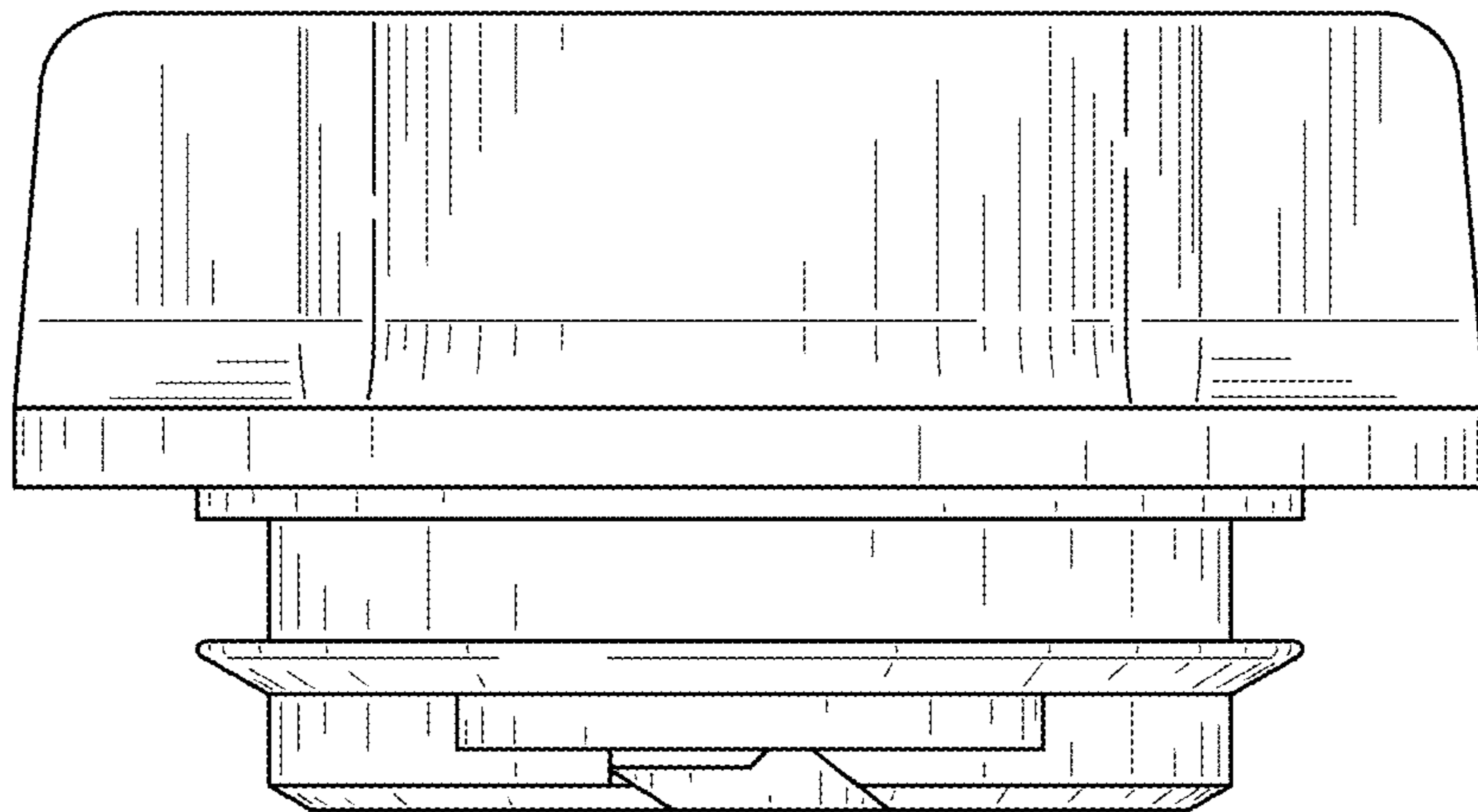


FIG. 5

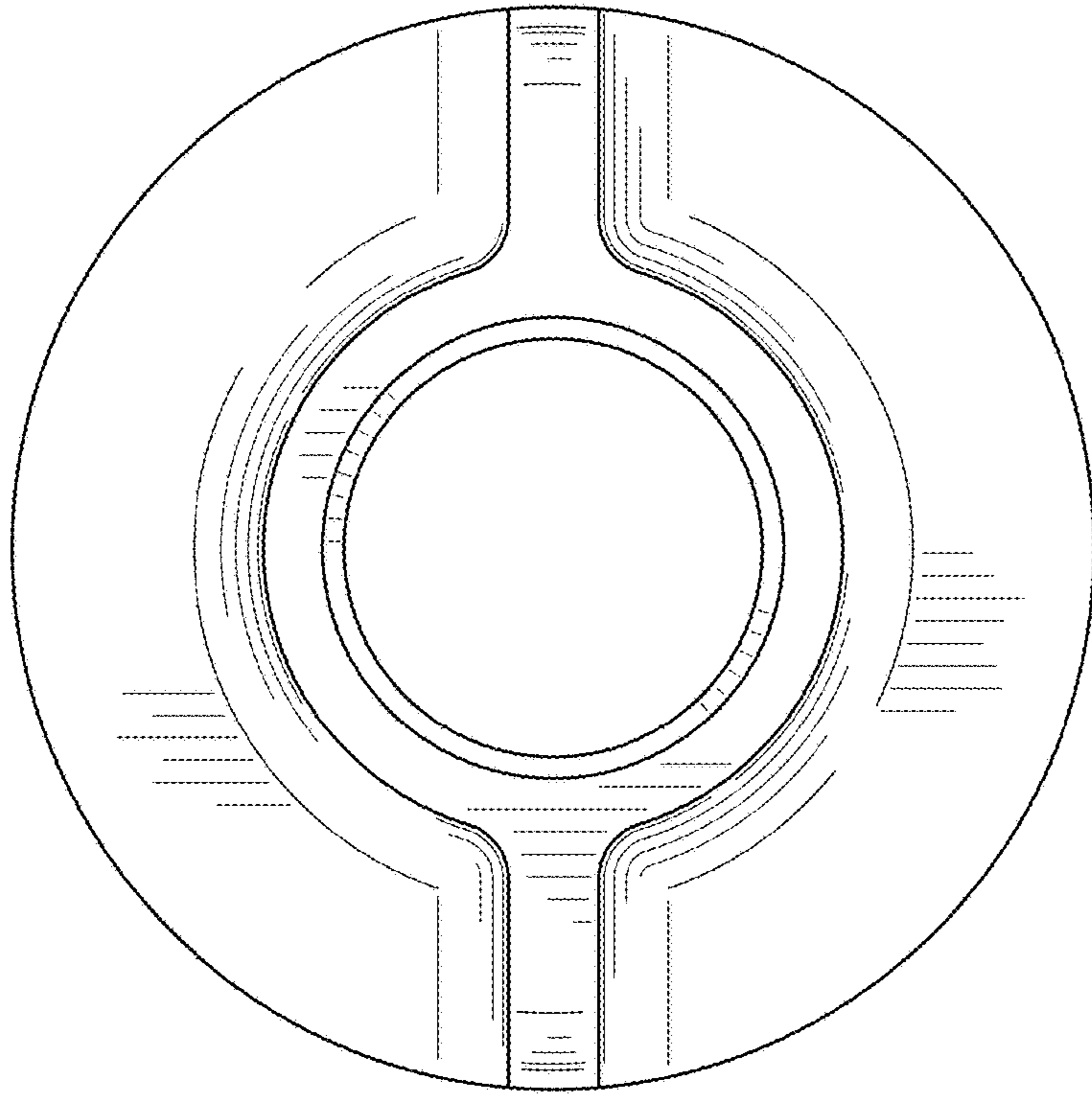


FIG. 6

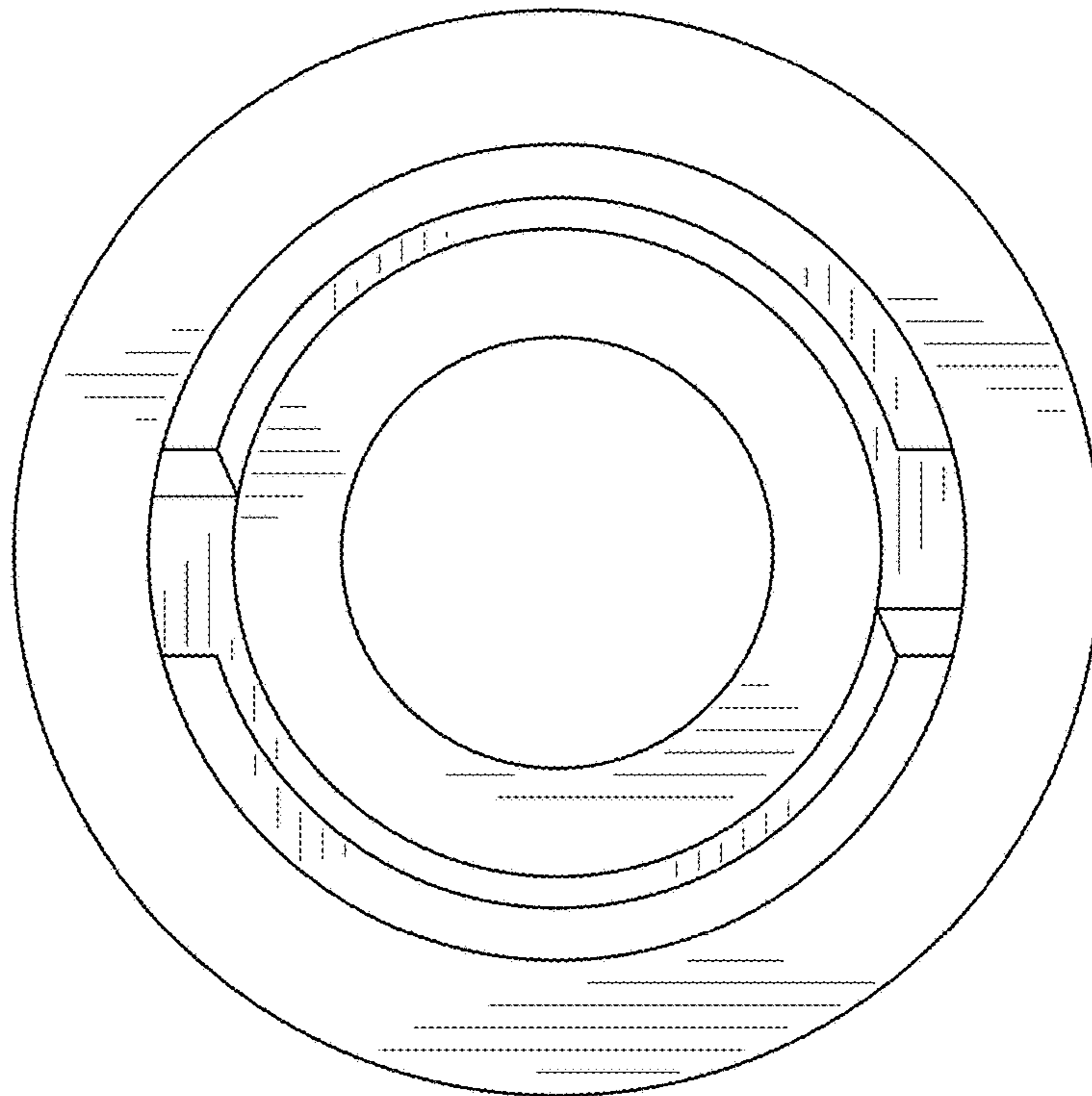


FIG. 7