



US00D828750S

(12) **United States Design Patent** (10) **Patent No.:** **US D828,750 S**
Alexander (45) **Date of Patent:** **** Sep. 18, 2018**

(54) **PACKAGE WITH SURFACE ORNAMENTATION**

(71) Applicant: **The Procter & Gamble Company**, Cincinnati, OH (US)

(72) Inventor: **Rob Alexander**, San Francisco, CA (US)

(73) Assignee: **The Procter & Gamble Company**, Cincinnati, OH (US)

(**) Term: **15 Years**

(21) Appl. No.: **29/569,928**

(22) Filed: **Jul. 1, 2016**

Related U.S. Application Data

(60) Continuation of application No. 29/538,744, filed on Sep. 8, 2015, now Pat. No. Des. 765,506, which is a division of application No. 29/483,870, filed on Mar. 4, 2014, now Pat. No. Des. 740,658.

(30) **Foreign Application Priority Data**

May 9, 2013 (WO) 759920801

(51) **LOC (11) Cl.** **09-07**

(52) **U.S. Cl.**
USPC **D9/434**

(58) **Field of Classification Search**
USPC D19/26, 27, 32, 34.1; D9/414-434, D9/444-445
CPC B65D 5/4204; B65D 15/08; B65D 1/34; B65D 83/0805; A45D 40/22
See application file for complete search history.

(56) **References Cited**

U.S. PATENT DOCUMENTS

D461,033 S 8/2002 Fairhurst et al.
D461,034 S 8/2002 Fairhurst et al.

D590,251 S 4/2009 Seol et al.
D590,253 S 4/2009 Seol et al.
D599,201 S 9/2009 Seol et al.
D600,548 S 9/2009 Seol et al.
D608,636 S 1/2010 Seol
D633,567 S 3/2011 Hill et al.
D633,568 S 3/2011 Hill et al.
D655,169 S 3/2012 Bohache
D678,764 S 3/2013 Powers
D686,067 S 7/2013 Macaulay et al.
8,851,292 B2 10/2014 Meyer et al.
D729,069 S 5/2015 Ajichi
D740,658 S 10/2015 Alexander

(Continued)

OTHER PUBLICATIONS

Pampers Easy Ups, dated Jun. 5, 2014, found online [Aug. 17, 2015] <http://mommyondemand.com/potty-training-pampers-easyups/>.

(Continued)

Primary Examiner — Brandon M Rosati
Assistant Examiner — Marissa J Cash
(74) *Attorney, Agent, or Firm* — Christian M. Best

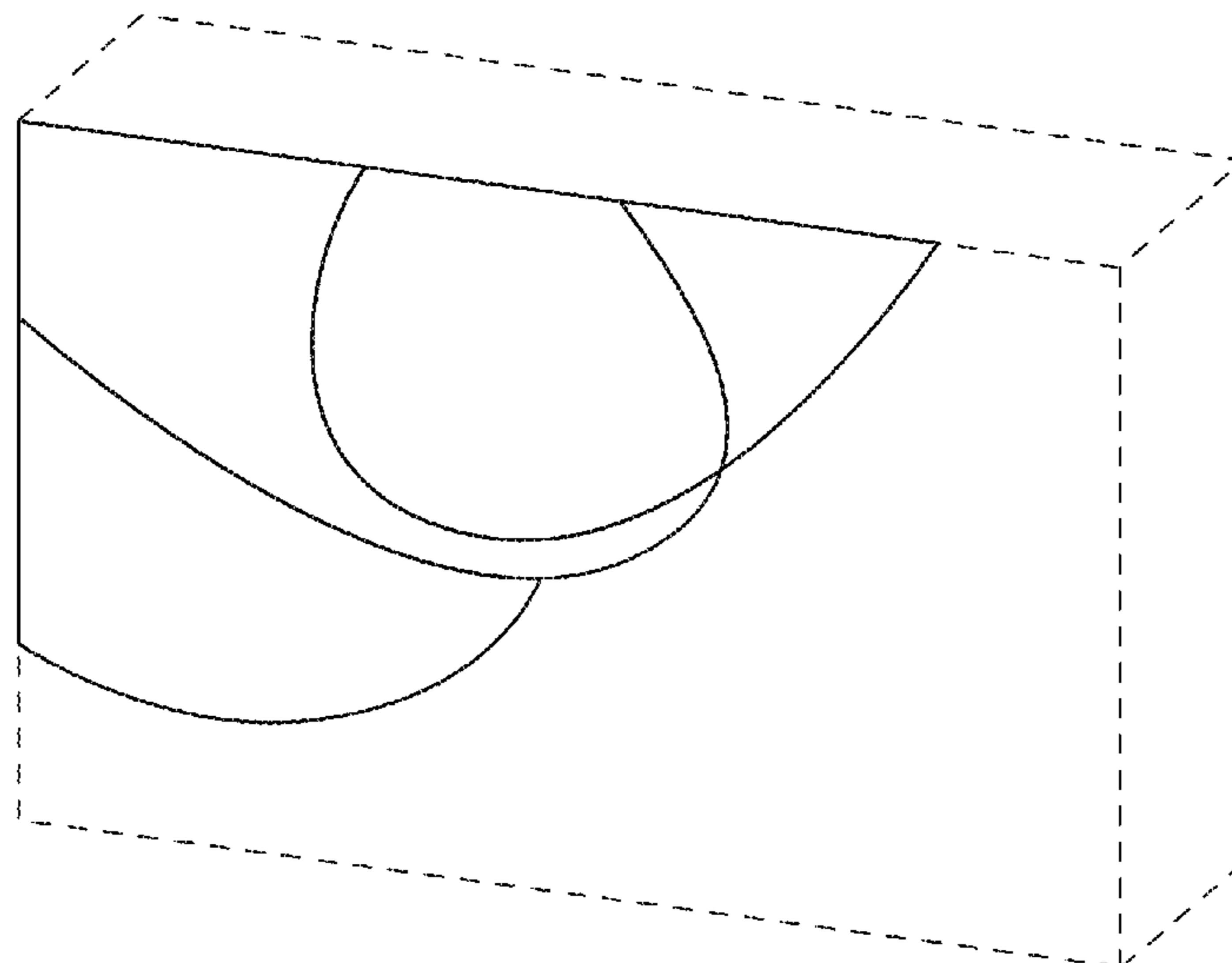
(57) **CLAIM**

The ornamental design for a package with surface ornamentation, as shown and described.

DESCRIPTION

FIG. 1 is a perspective view of a package with surface ornamentation embodying our new design as shown; FIG. 2 is a front view thereof; FIG. 3 is a right side view thereof; FIG. 4 is a back view thereof; FIG. 5 is a left side view thereof; FIG. 6 is a top view thereof; and, FIG. 7 is a bottom view thereof. The broken lines showing portions of the package depict environment and form no part of the claim.

1 Claim, 2 Drawing Sheets



(56)

References Cited

U.S. PATENT DOCUMENTS

D752,439	S	3/2016	Abel	
D764,290	S *	8/2016	Alexander	D9/434
D765,506	S *	9/2016	Alexander	D9/434
D783,397	S *	4/2017	Riffe	D9/434
D794,470	S *	8/2017	Della Bianca	D19/26
D796,314	S *	9/2017	Riffe	D9/414
D802,415	S *	11/2017	Wilcox	D9/432
2014/0083889	A1	3/2014	Ables	

OTHER PUBLICATIONS

Notice of Allowance and Examiner's Amendment for U.S. Appl.
No. 29/483,870.

Notice of Allowance and Examiner's Amendment for U.S. Appl.
No. 29/538,742.

Notice of Allowance and Examiner's Amendment for U.S. Appl.
No. 29/538,744.

* cited by examiner

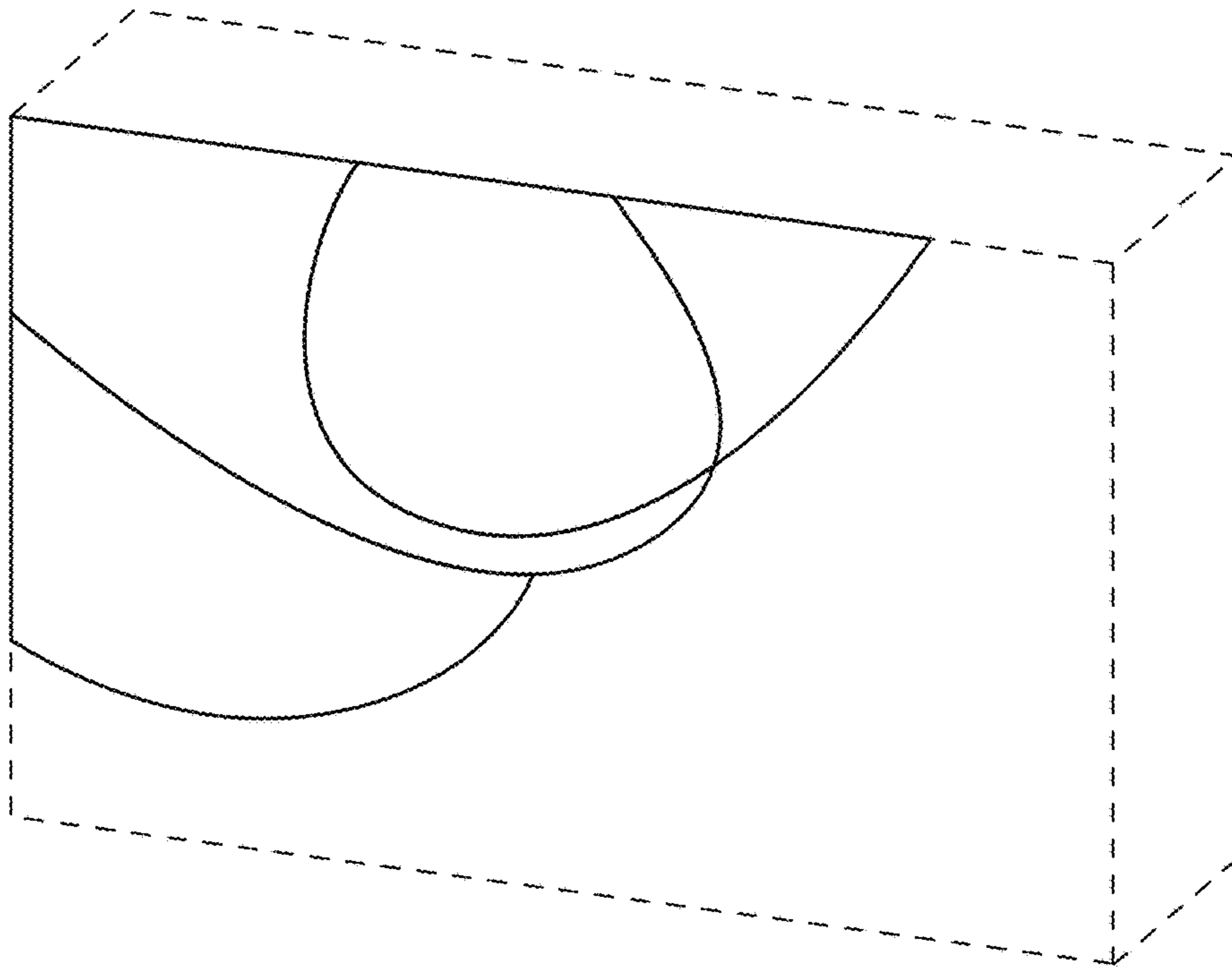


Fig. 1

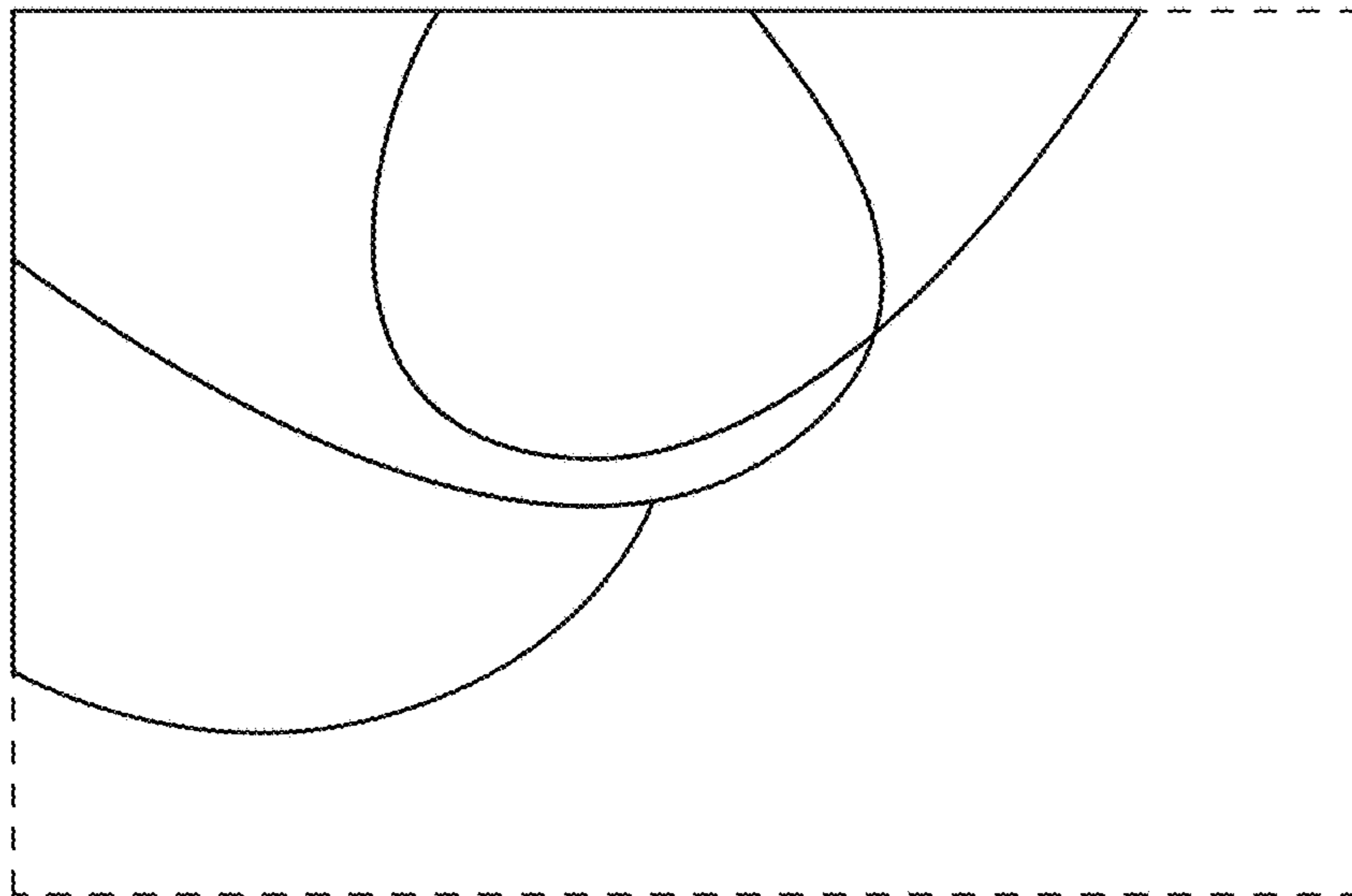


Fig. 2

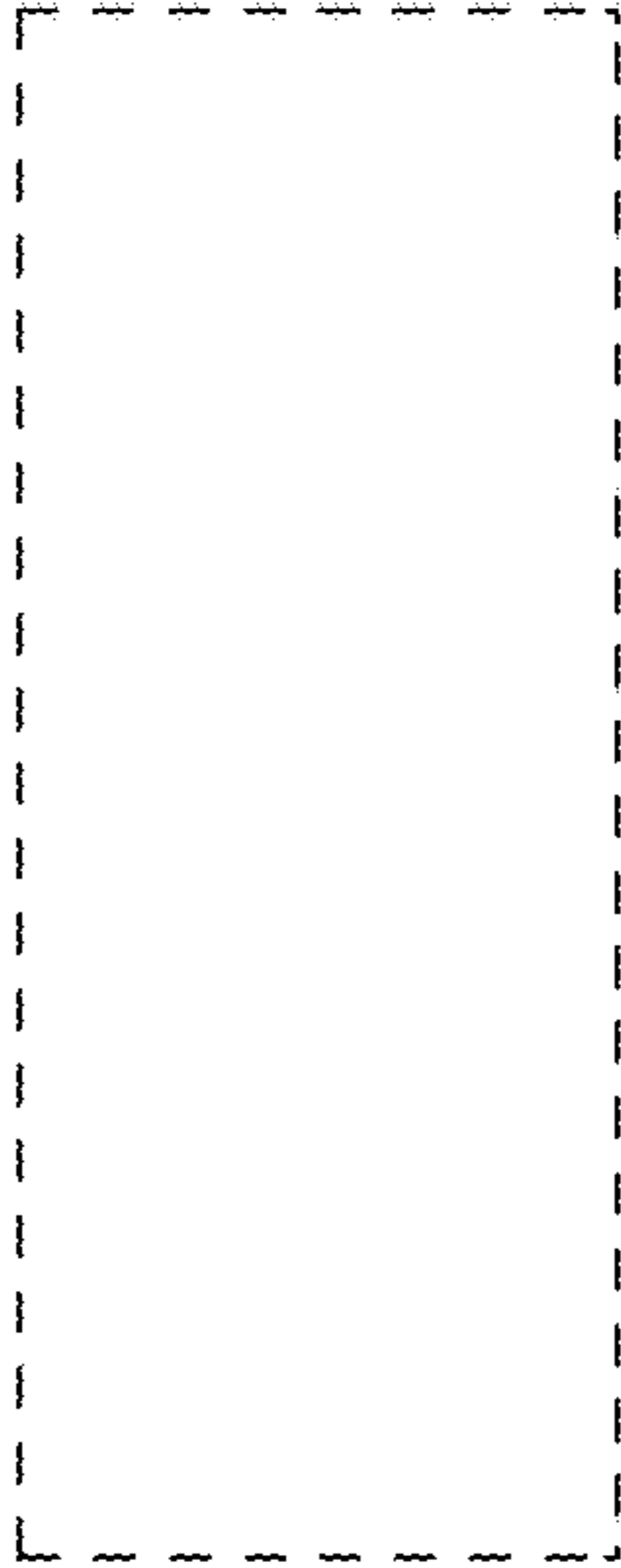


Fig. 3



Fig. 4

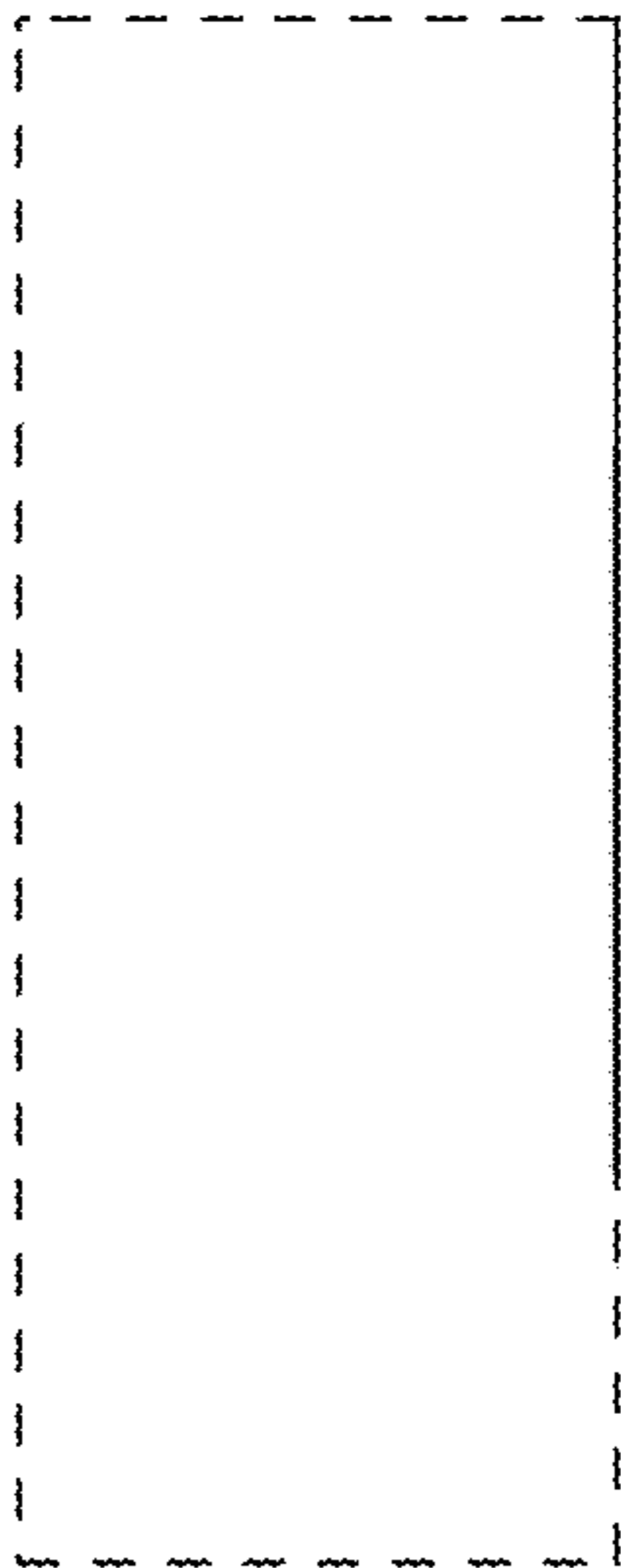


Fig. 5

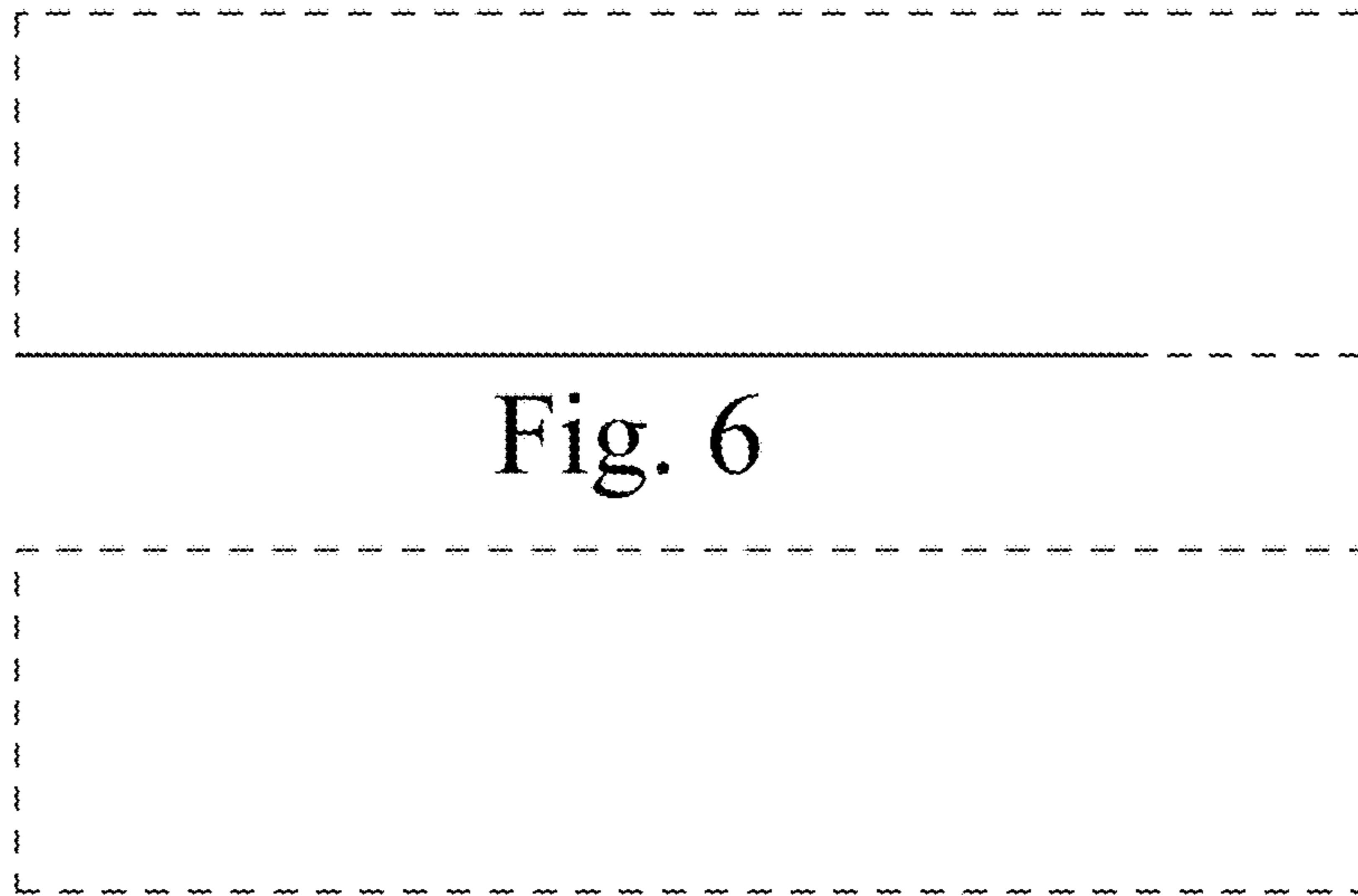


Fig. 6

Fig. 7