



US00D828749S

(12) **United States Design Patent**  
**Swegle et al.**

(10) **Patent No.:** **US D828,749 S**  
(45) **Date of Patent:** **\*\* Sep. 18, 2018**

(54) **PHARMACEUTICAL PACKAGING DEVICE**

(71) Applicant: **MEDPHARM HOLDINGS, LLC**,  
Denver, CO (US)

(72) Inventors: **Thomas Swegle**, Des Moines, IA (US);  
**Bounnak M. Thammavong**, Iowa City,  
IA (US)

(73) Assignee: **MEDPHARM HOLDINGS, LLC**,  
Denver, CO (US)

(\*\*) Term: **15 Years**

(21) Appl. No.: **29/623,326**

(22) Filed: **Oct. 24, 2017**

D398,444 S *	9/1998	Ricci	.....	D3/203.2
5,927,535 A *	7/1999	Goth	.....	B65D 50/046
				220/254.3
6,029,828 A *	2/2000	Robbins	.....	A47B 49/004
				108/157.1
D506,926 S *	7/2005	Halliday	.....	D9/416
D534,794 S *	1/2007	Åkeson	.....	D27/175
D632,957 S *	2/2011	Kirsch	.....	D24/145
D712,266 S *	9/2014	Romer	.....	D9/454
D760,077 S *	6/2016	Rye	.....	D9/436
D781,699 S *	3/2017	Pan	.....	D9/423
D790,334 S *	6/2017	Pan	.....	D9/423
D795,705 S *	8/2017	Huang	.....	D9/738
D806,567 S *	1/2018	Ammar	.....	D9/719
D810,567 S *	2/2018	Brovar	.....	D9/449
D815,546 S *	4/2018	Edwards	.....	D9/730
D816,994 S *	5/2018	Fischer	.....	D3/294
D821,826 S *	7/2018	Vasquez	.....	D7/629
D823,113 S *	7/2018	Lospinoso	.....	D9/438

(Continued)

**Related U.S. Application Data**

(63) Continuation of application No. 15/721,065, filed on  
Sep. 29, 2017.

(51) **LOC (11) Cl.** ..... **09-03**

(52) **U.S. Cl.**  
USPC ..... **D9/415**

(58) **Field of Classification Search**  
USPC ..... D9/414-418, 730, 449, 423, 719, 436,  
D9/738, 447, 454, 438; D8/98; D7/629;  
D24/145; D3/294, 203.2; D27/175;  
108/157.1; 220/254.3; 116/308  
CPC ..... B65D 21/022; B65D 50/046; A61J 7/04;  
A47B 49/004  
See application file for complete search history.

(56) **References Cited**

**U.S. PATENT DOCUMENTS**

3,227,127 A *	1/1966	Gayle	.....	A61J 7/04
				116/308
D294,467 S *	3/1988	Wirkus	.....	D8/98
D358,986 S *	6/1995	Heyl	.....	D9/417

*Primary Examiner* — Rhea Shields

(74) *Attorney, Agent, or Firm* — Nyemaster Goode P.C.

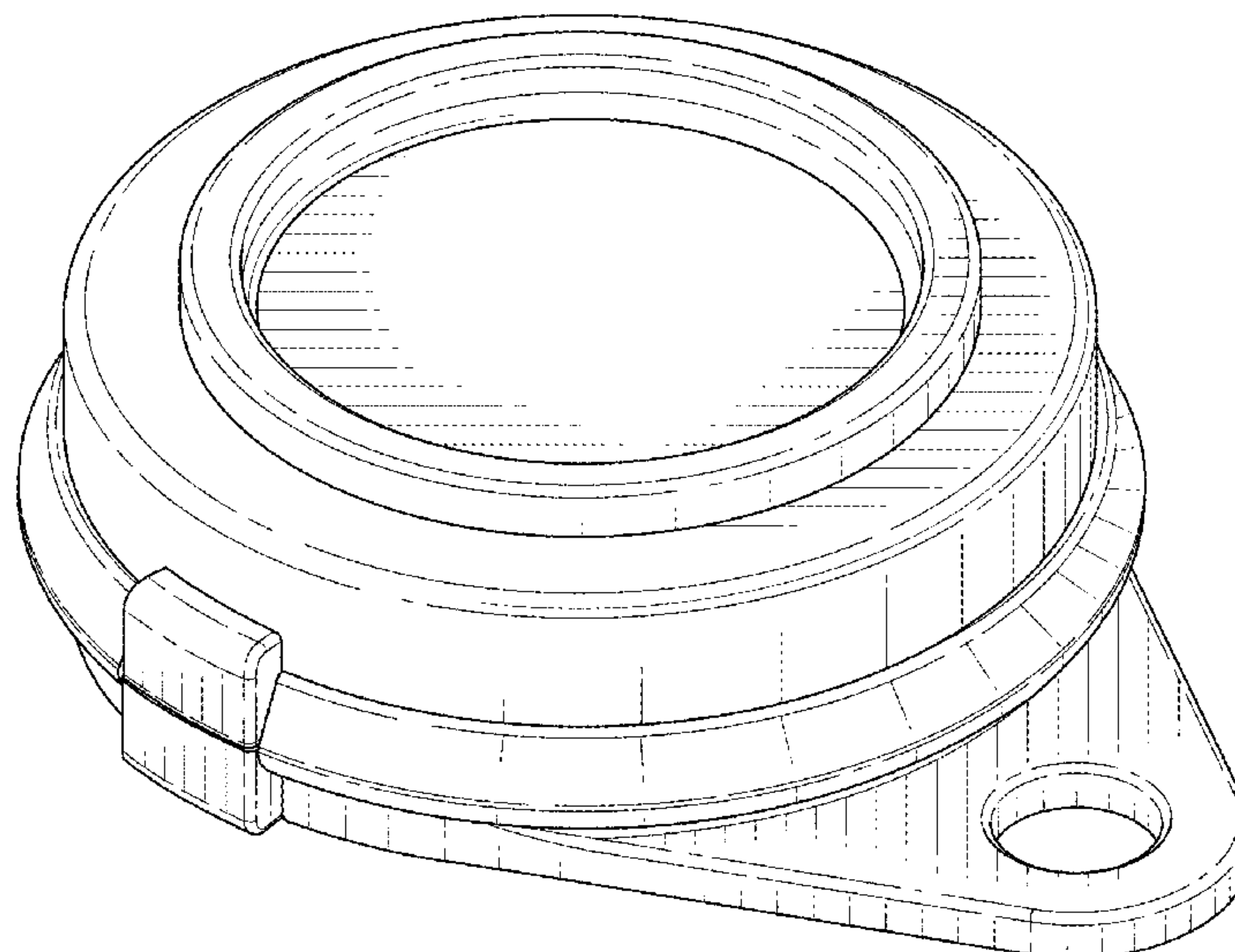
(57) **CLAIM**

The ornamental design for a pharmaceutical packaging  
device, as shown and described.

**DESCRIPTION**

FIG. 1 is a top perspective view of the pharmaceutical  
packaging device.  
FIG. 2 is a front view of the pharmaceutical packaging  
device.  
FIG. 3 is a rear view of the pharmaceutical packaging  
device.  
FIG. 4 is a side view of the pharmaceutical packaging  
device.  
FIG. 5 is a top view of the pharmaceutical packaging device;  
and,  
FIG. 6 is a bottom view of the pharmaceutical packaging  
device.

**1 Claim, 5 Drawing Sheets**



(56)

**References Cited**

U.S. PATENT DOCUMENTS

D823,115 S \* 7/2018 Walker ..... D9/447  
2018/0125751 A1\* 5/2018 Swegle ..... B65D 21/022

\* cited by examiner

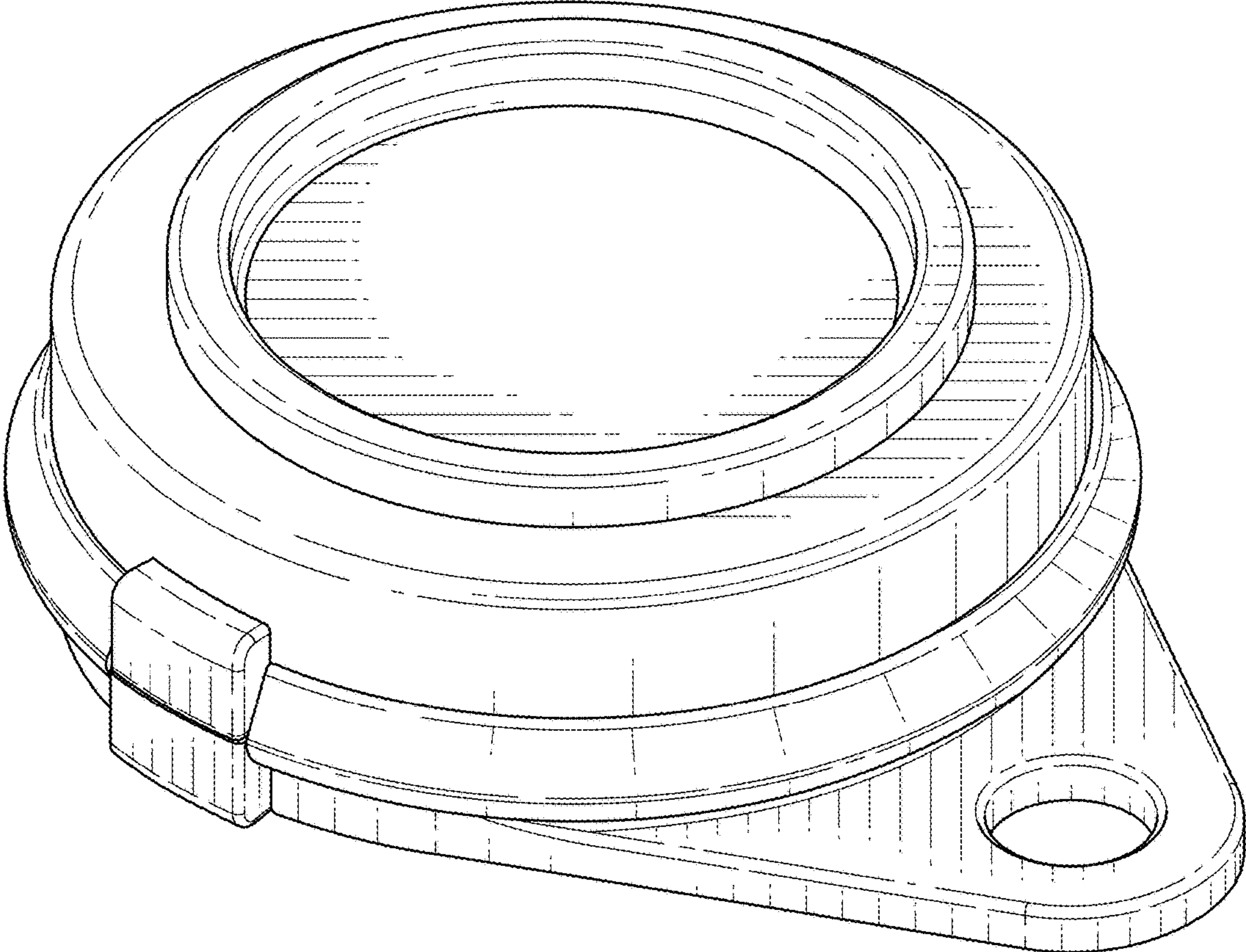


FIG. 1

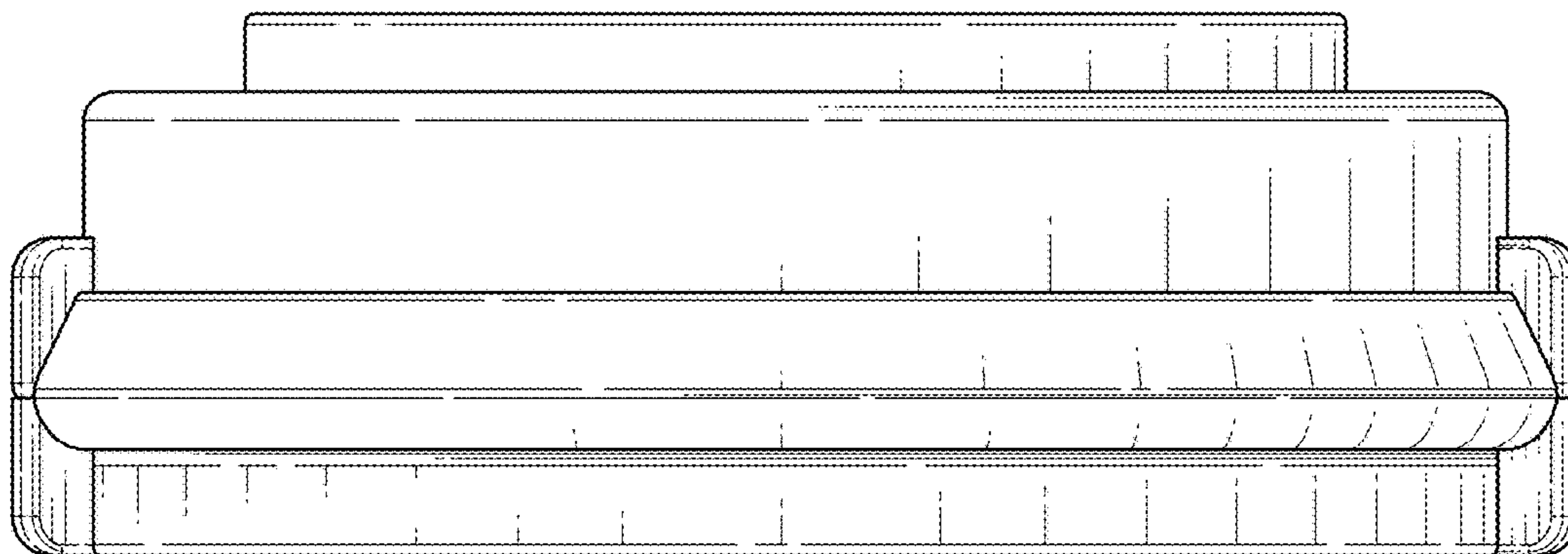


FIG. 2

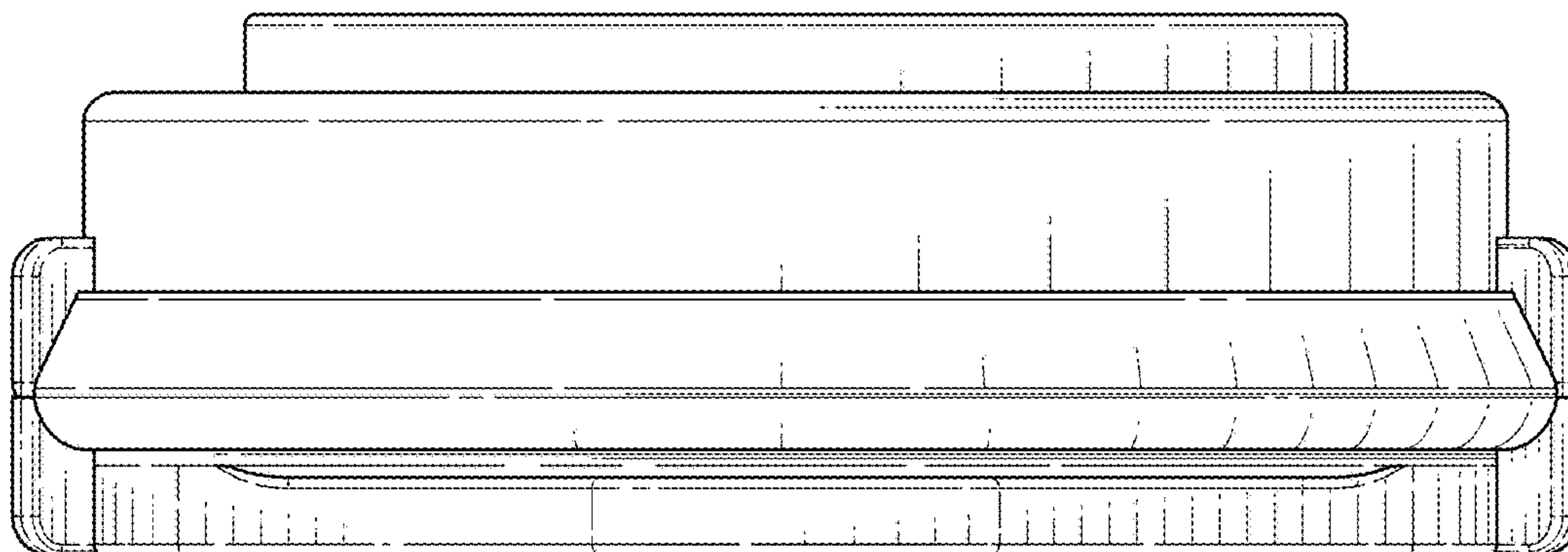


FIG. 3

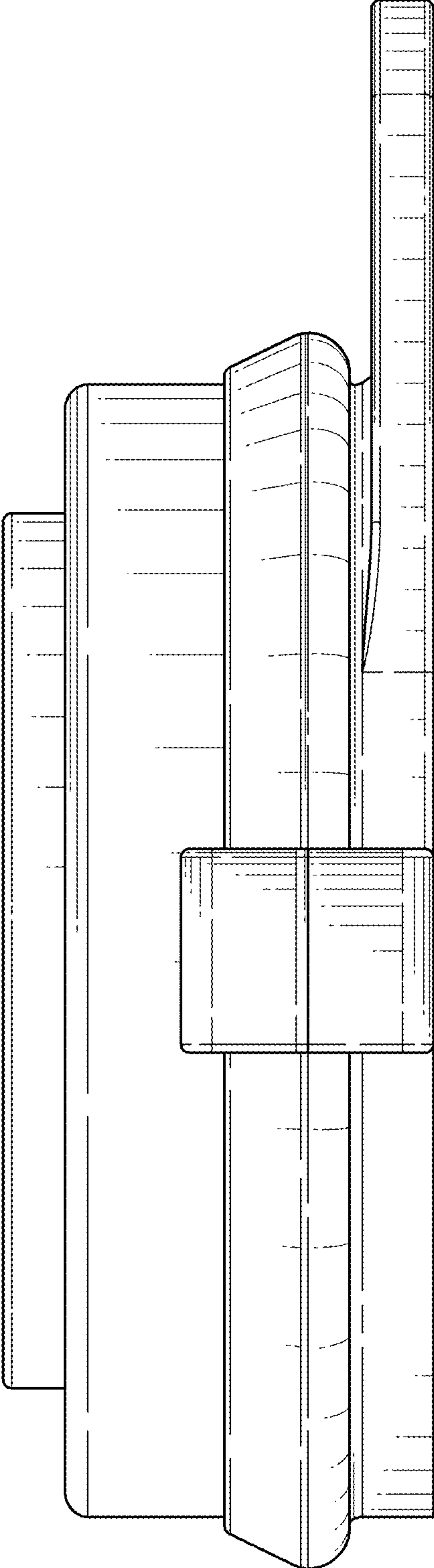


FIG. 4



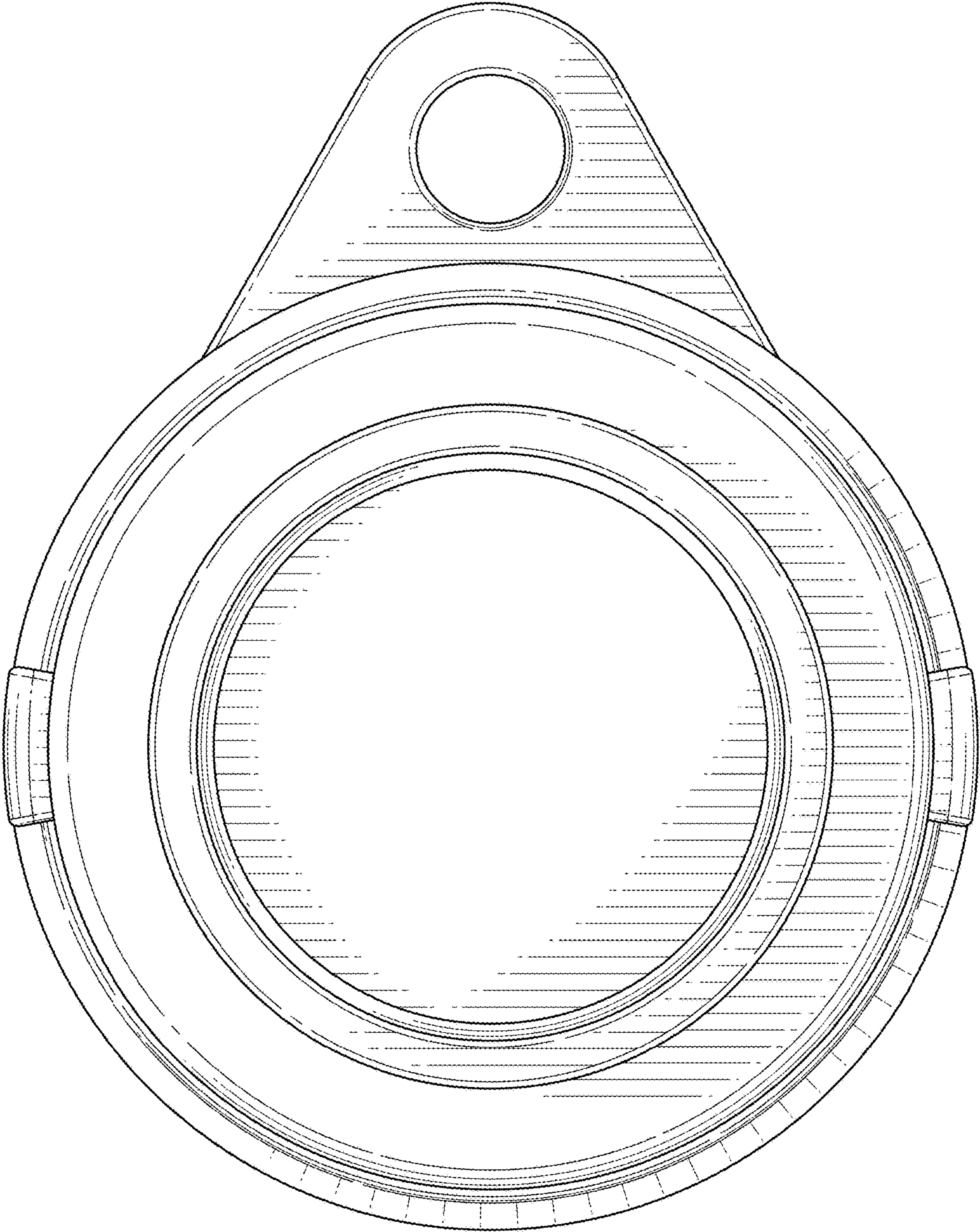


FIG. 5

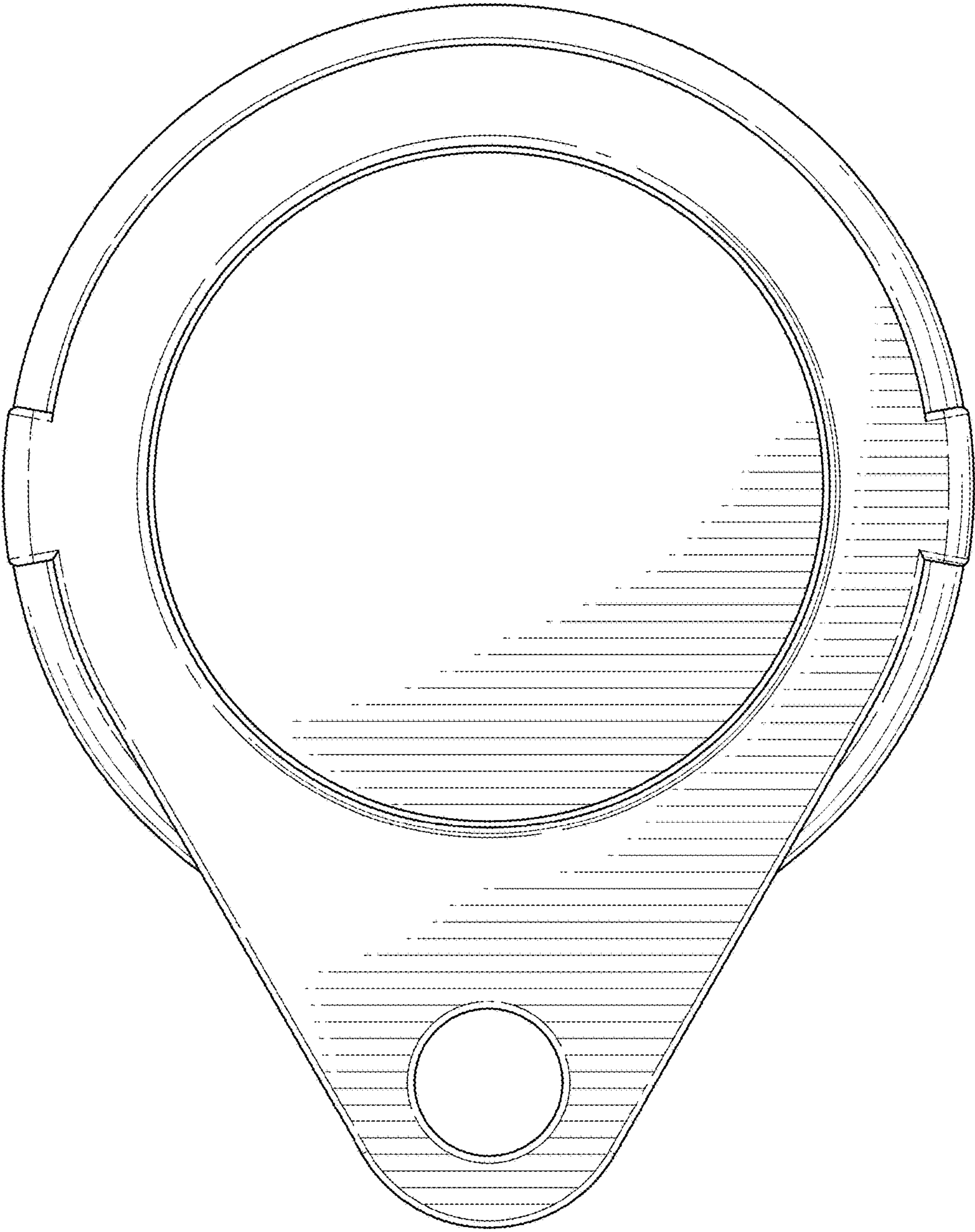


FIG. 6