



US00D828747S

(12) **United States Design Patent**
Barnes et al.

(10) **Patent No.:** **US D828,747 S**
(45) **Date of Patent:** **** Sep. 18, 2018**

(54) **EXTERNAL PILE GUIDE FOR DOCKS**

(71) Applicants: **Sean A. Barnes**, Mt. Pleasant, SC (US);
Neal Black, Goose Creek, SC (US)

(72) Inventors: **Sean A. Barnes**, Mt. Pleasant, SC (US);
Neal Black, Goose Creek, SC (US)

(**) Term: **15 Years**

(21) Appl. No.: **29/597,117**

(22) Filed: **Mar. 14, 2017**

(51) **LOC (11) Cl.** **08-08**

(52) **U.S. Cl.**
USPC **D8/382**

(58) **Field of Classification Search**
USPC D8/354, 356, 349, 355, 382, 385, 386,
D8/388; D25/133
CPC E01D 15/14; E02B 3/064; E02B 3/068;
E02B 3/28; B63C 1/02; B63B 35/34;
B63B 21/00; F16C 11/04
See application file for complete search history.

(56) **References Cited**

U.S. PATENT DOCUMENTS

| | | | | | |
|-----------|-----|---------|----------|-------|-------------|
| 2,269,589 | A * | 1/1942 | Kaufman | | B42D 15/022 |
| | | | | | 362/806 |
| 3,285,550 | A * | 11/1966 | Smith | | G08B 5/40 |
| | | | | | 248/174 |
| 4,148,258 | A * | 4/1979 | Powers | | F42B 4/20 |
| | | | | | 102/343 |
| 4,471,991 | A * | 9/1984 | Matthias | | B60J 1/2005 |
| | | | | | 180/68.6 |
| 4,604,962 | A * | 8/1986 | Guibault | | B63B 35/38 |
| | | | | | 114/218 |
| 4,905,131 | A * | 2/1990 | Gary | | F21S 4/10 |
| | | | | | 248/315 |
| D321,124 | S * | 10/1991 | Gary | | D8/373 |
| D321,125 | S * | 10/1991 | Gary | | D8/373 |

| | | | | | |
|-----------|-----|---------|------------------|-------|------------|
| D322,211 | S * | 12/1991 | Gary | | D8/373 |
| 5,094,422 | A * | 3/1992 | Tiffany | | F42B 4/20 |
| | | | | | 248/346.03 |
| 5,215,027 | A * | 6/1993 | Baxter | | B63B 35/34 |
| | | | | | 114/266 |
| D340,297 | S * | 10/1993 | Hanson | | D26/9 |
| 5,288,094 | A * | 2/1994 | Putnam | | B60D 1/62 |
| | | | | | 248/214 |
| D456,603 | S * | 5/2002 | Phetthaweebancha | | D3/215 |
| D465,188 | S * | 11/2002 | McCoy | | D12/223 |

(Continued)

Primary Examiner — Sandra S Snapp

Assistant Examiner — Ieisha N Price

(74) *Attorney, Agent, or Firm* — B. Craig Killough;
Barnwell Whaley Patterson & Helms

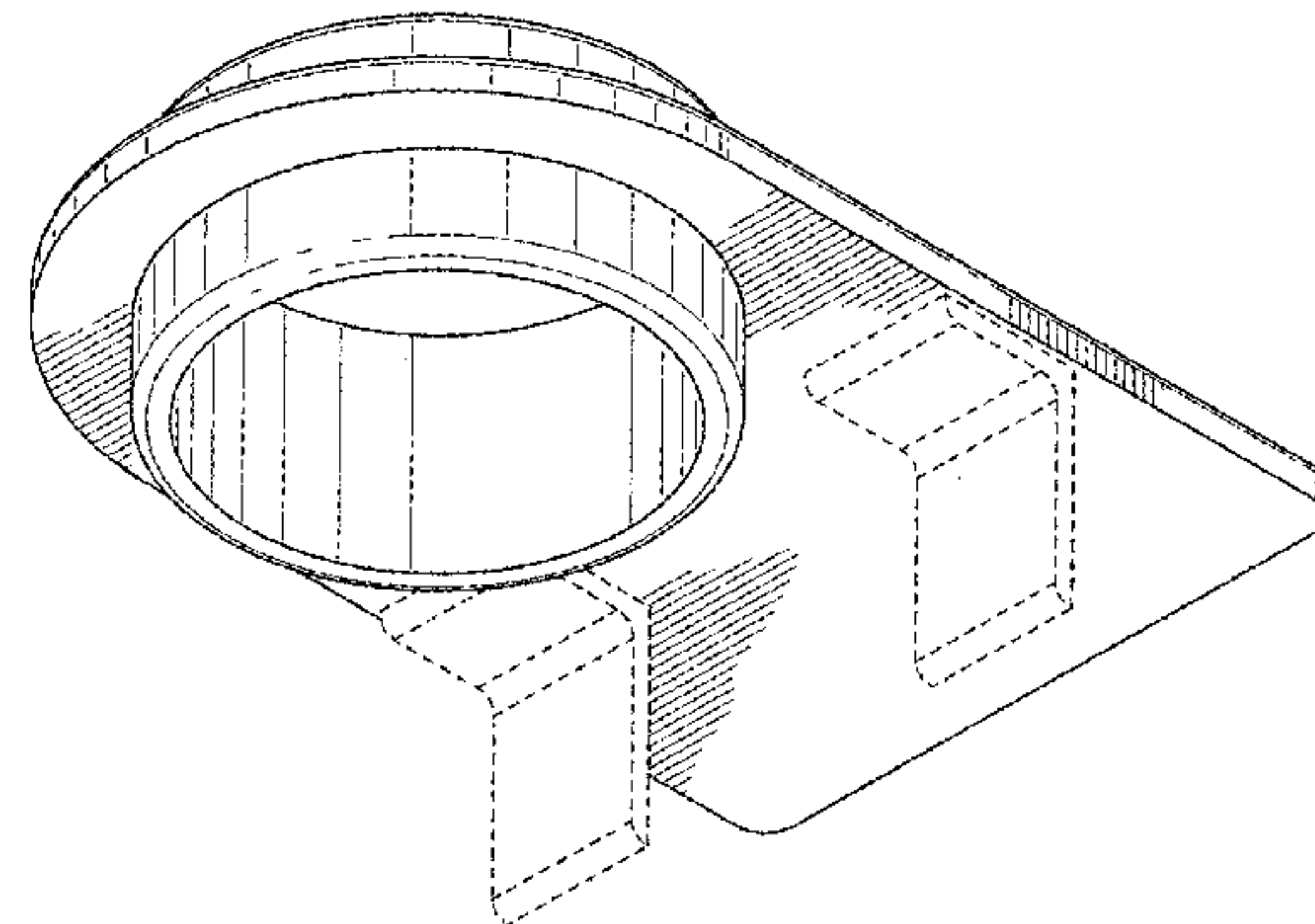
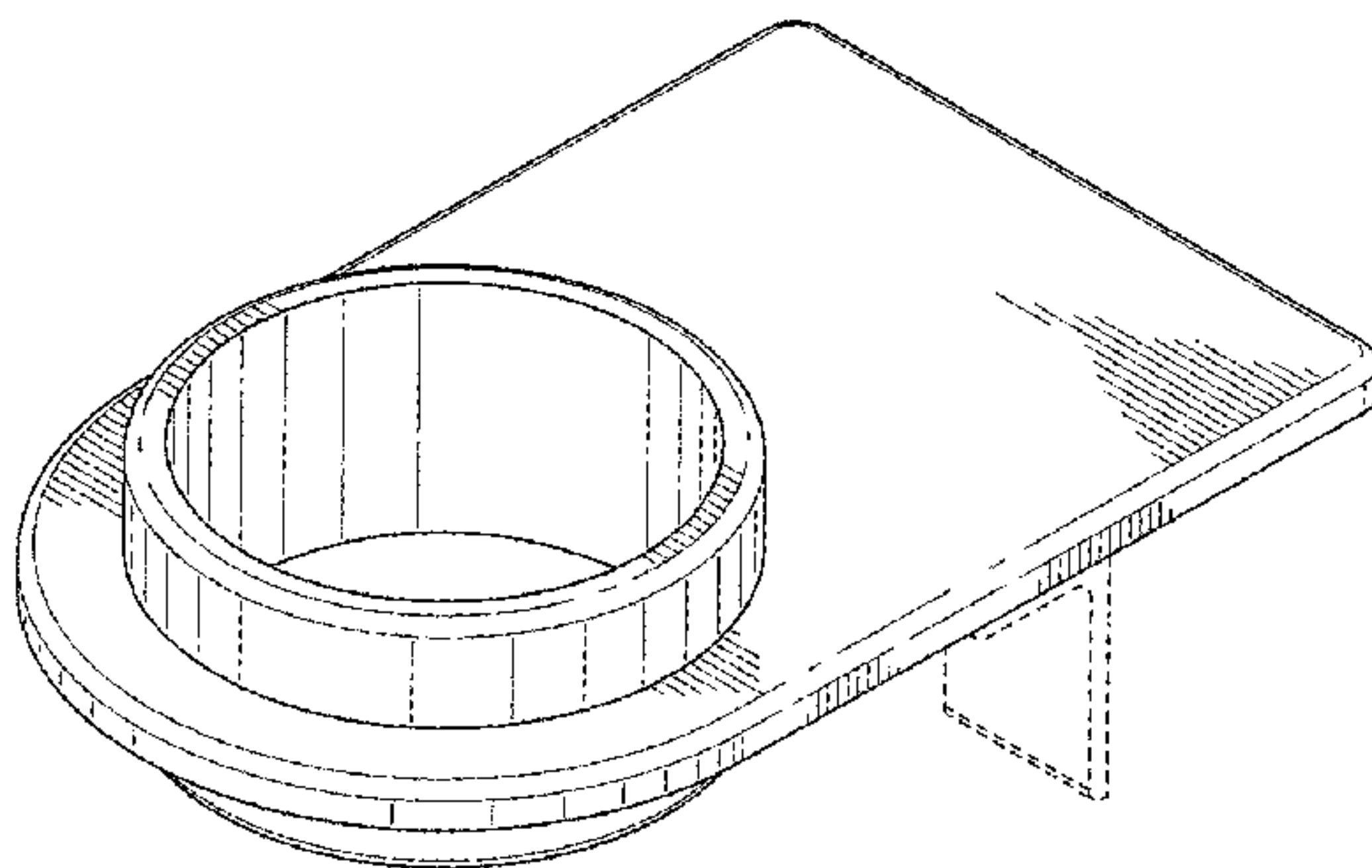
(57) **CLAIM**

The ornamental design for an external pile guide for docks, as shown and described.

DESCRIPTION

FIG. 1 is a top perspective view of an external pile guide for docks showing the new design;
 FIG. 2 is a bottom perspective view of the external pile guide for docks;
 FIG. 3 is a top plan view of the external pile guide for docks;
 FIG. 4 is a bottom plan view of the external pile guide for docks;
 FIG. 5 is a front elevation of the external pile guide for docks;
 FIG. 6 is a rear elevation of the external pile guide for docks;
 and,
 FIG. 7 is a right side view of the external pile guide for docks in relation to FIG. 5; the left side of the external pile guide for docks is a mirror image of FIG. 7.
 The broken lines showing of the L-shaped brackets illustrates the environment of the claimed design and forms no part thereof.

1 Claim, 5 Drawing Sheets



(56)

References Cited

U.S. PATENT DOCUMENTS

D506,668 S * 6/2005 Black D8/354
D604,381 S * 11/2009 Miller D22/107
D648,620 S * 11/2011 Wagner D8/396
D658,045 S * 4/2012 Tabler D8/382
D705,040 S * 5/2014 Konrad D8/354
D727,719 S * 4/2015 Ribeiro D8/382
2005/0204989 A1 * 9/2005 Ahern B63B 3/08
114/266
2010/0300345 A1 * 12/2010 La Violette B63B 3/08
114/263
2016/0040710 A1 * 2/2016 Schilling A61F 5/0102
24/453
2016/0281770 A1 * 9/2016 Vankoughnett B63B 35/34
2016/0347430 A1 * 12/2016 Allen B63C 1/02

* cited by examiner

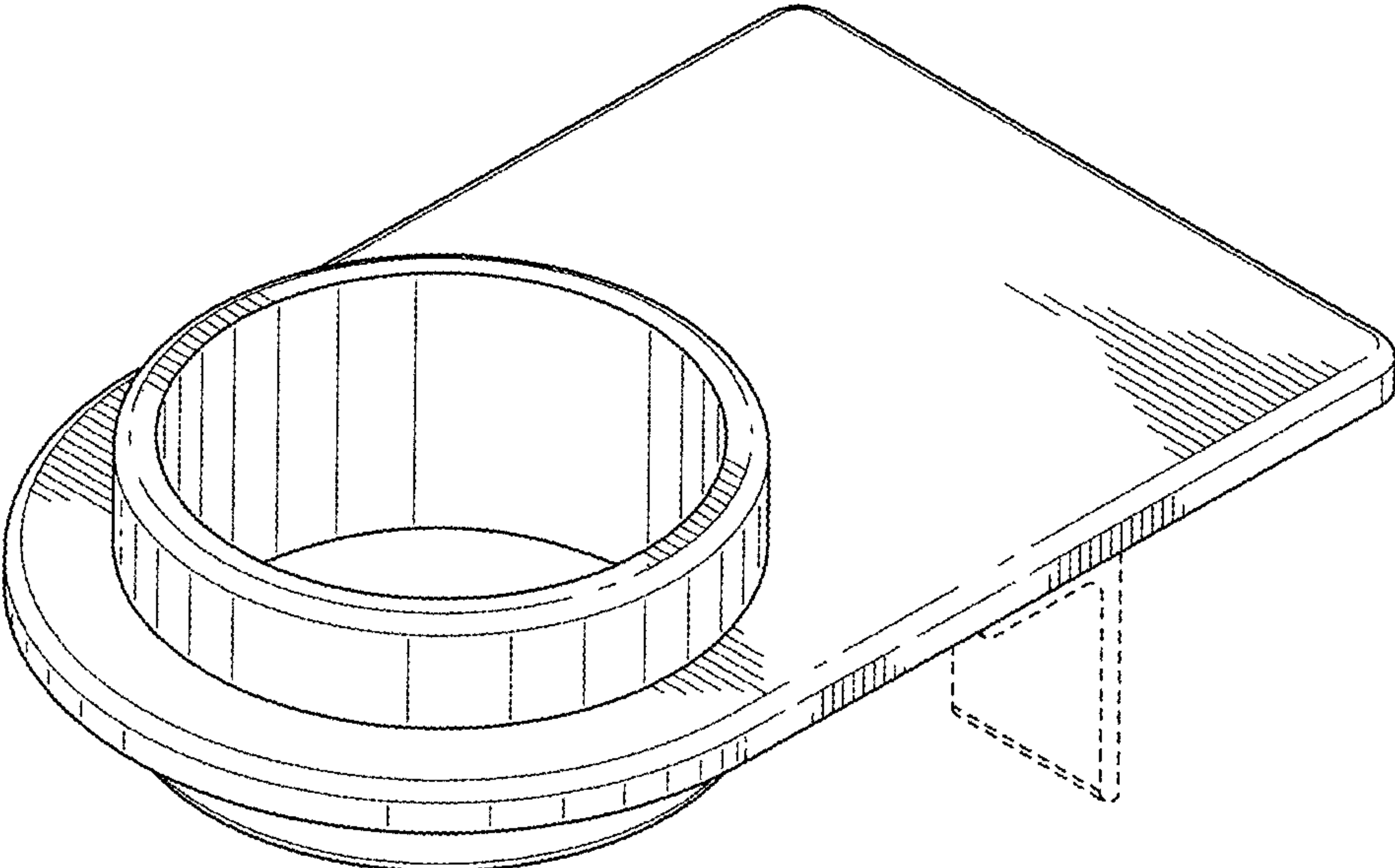


FIG. 1

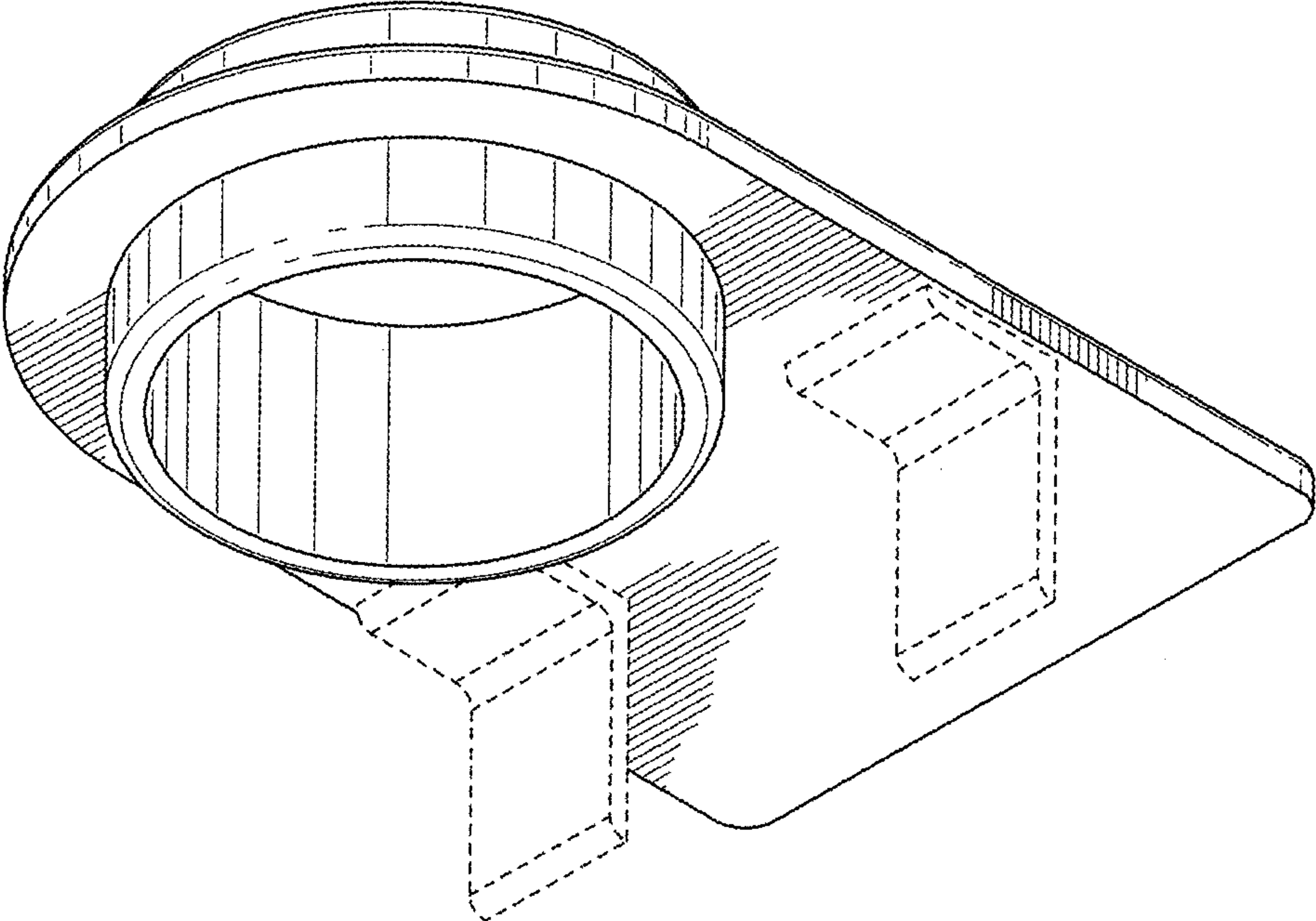


FIG. 2

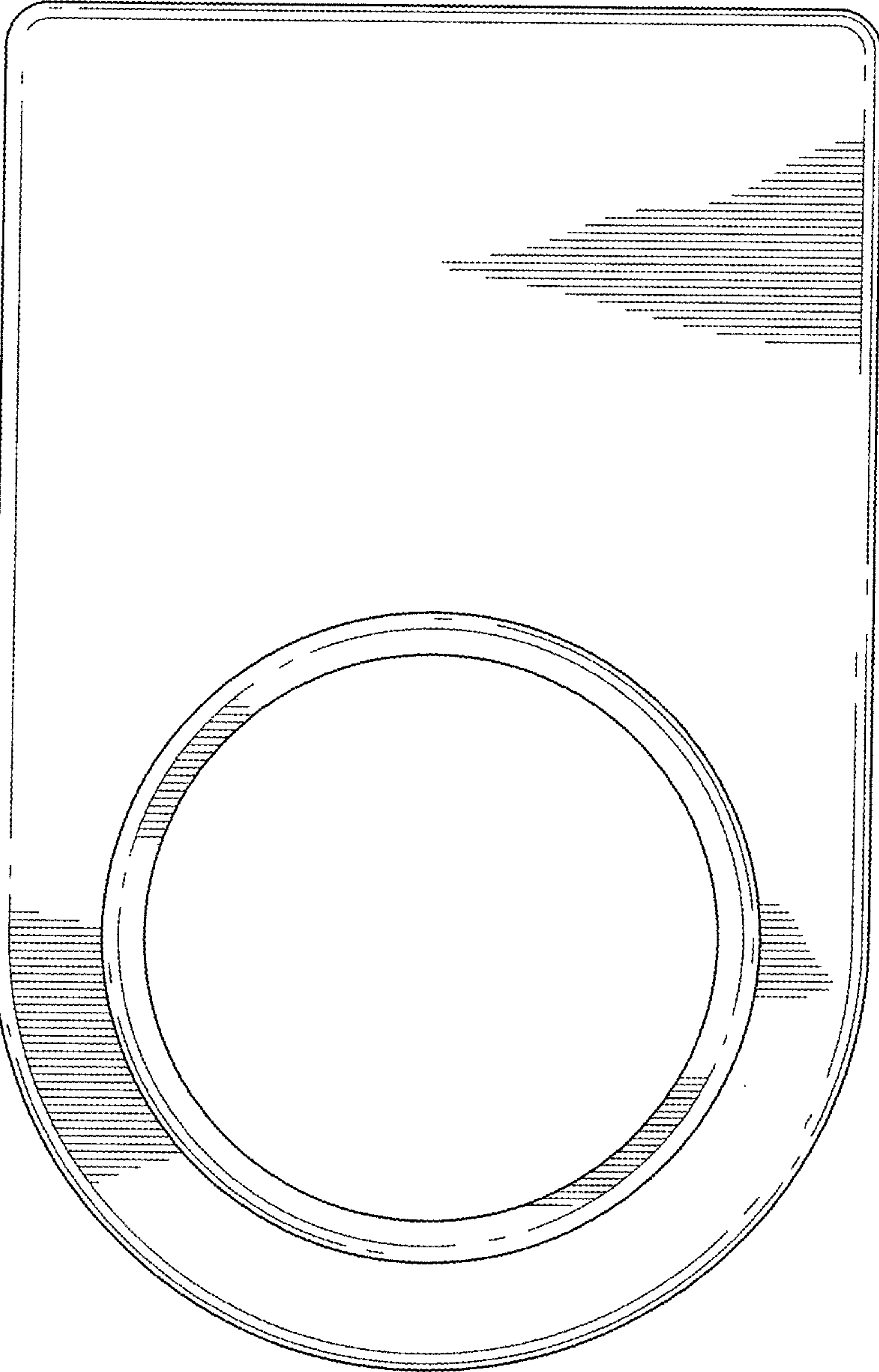


FIG.3

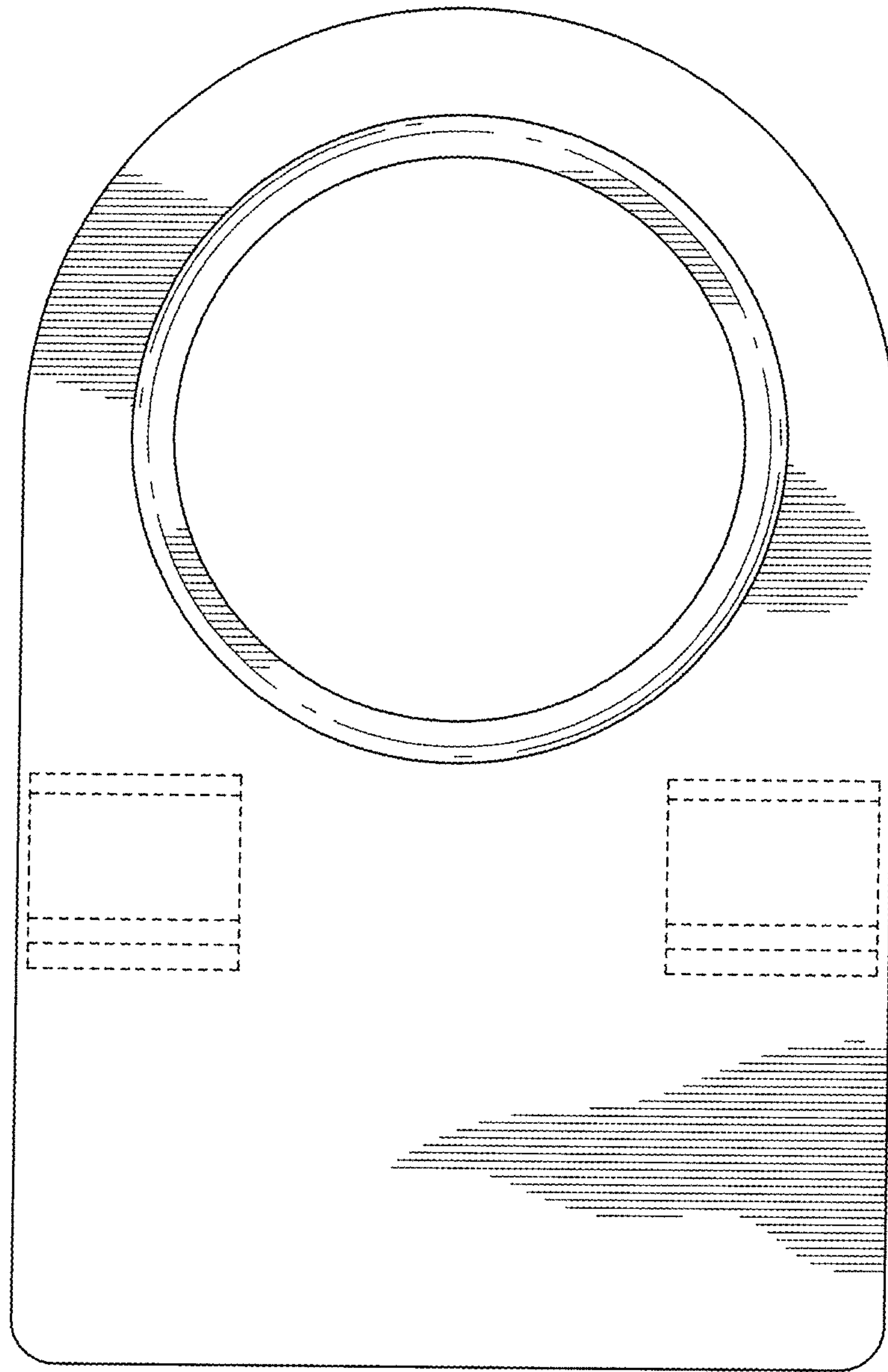


FIG.4

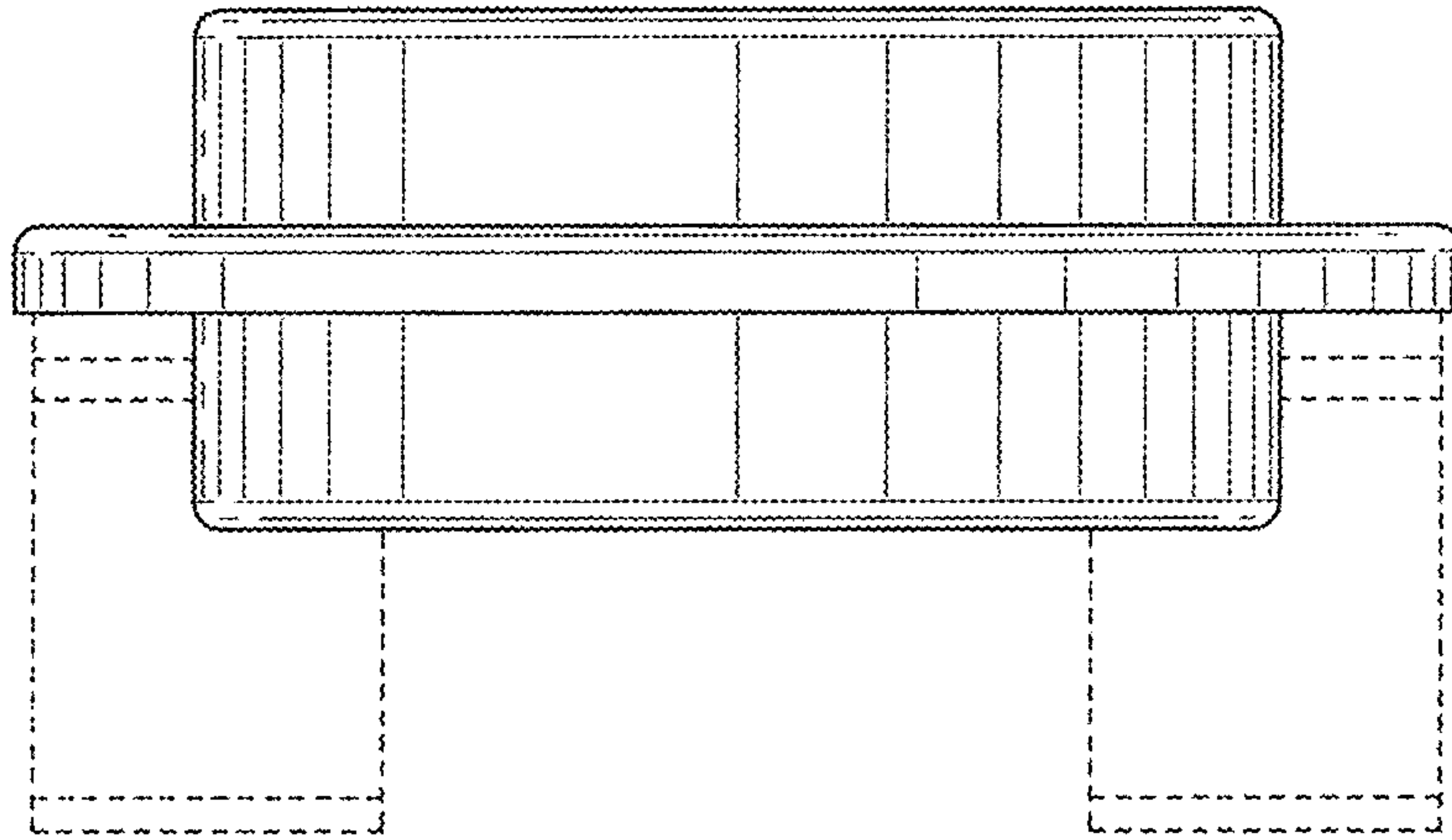


FIG. 5

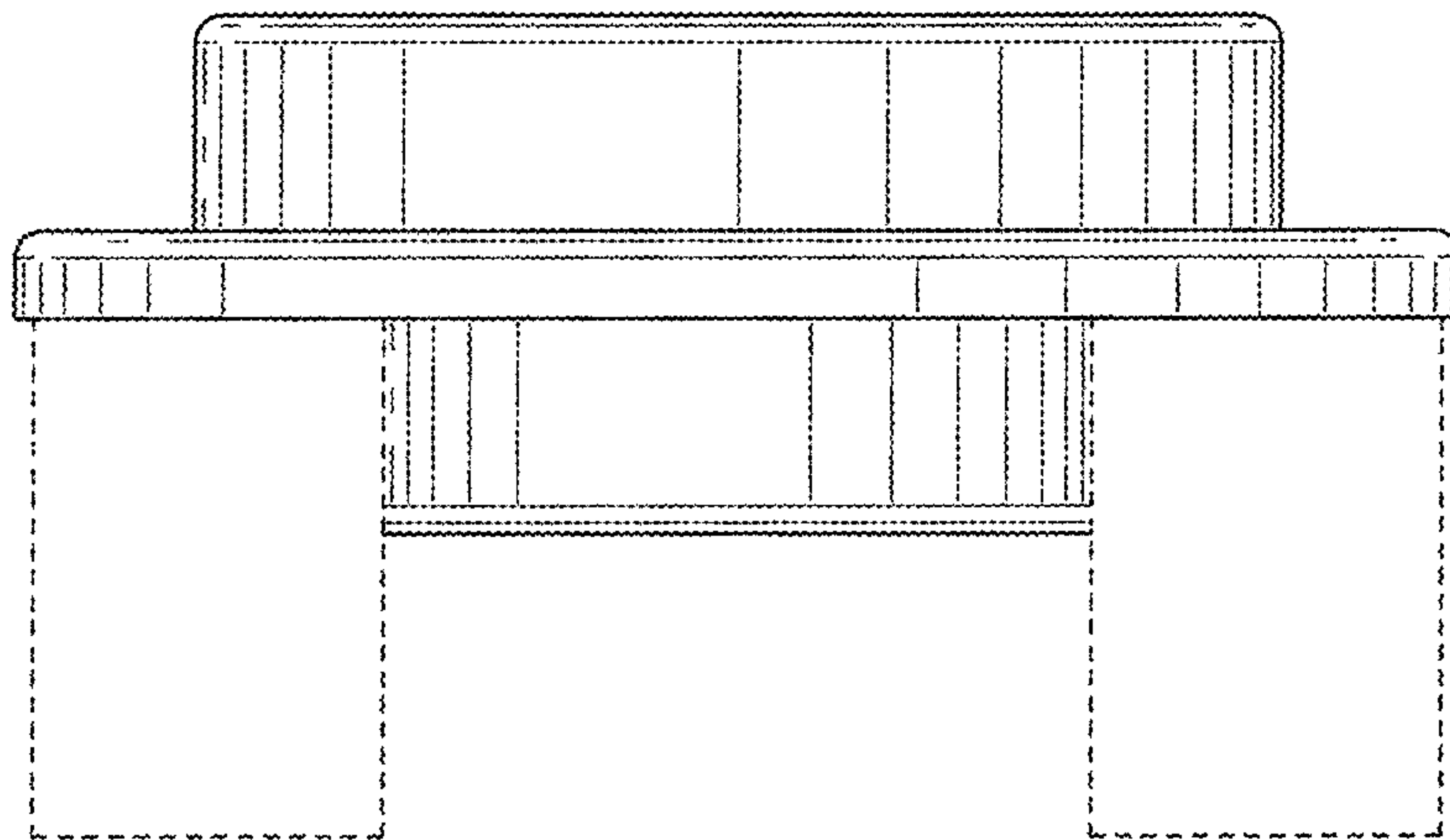


FIG. 6

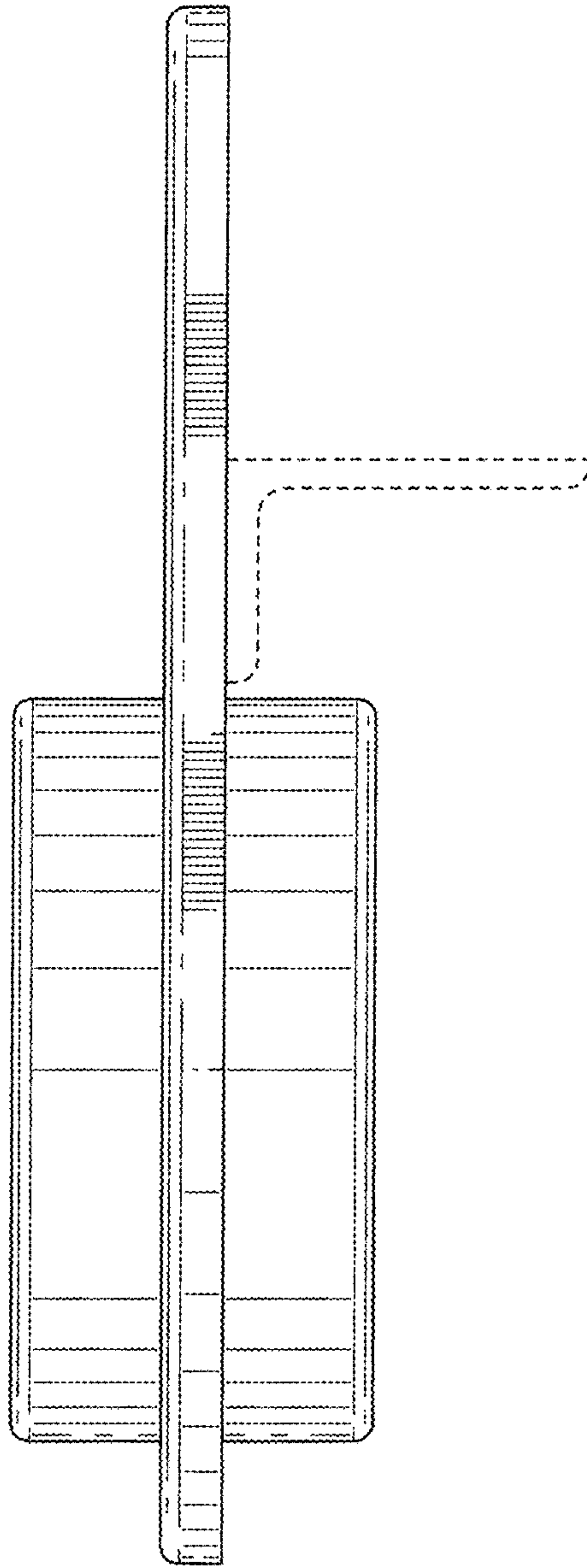


FIG. 7