



US00D828746S

(12) **United States Design Patent** (10) **Patent No.:** **US D828,746 S**
Barnes et al. (45) **Date of Patent:** **** Sep. 18, 2018**

(54) **EXTERNAL PILE GUIDE FOR DOCK CORNERS**
(71) Applicants: **Sean A. Barnes**, Mt. Pleasant, SC (US);
Neal Black, Goose Creek, SC (US)
(72) Inventors: **Sean A. Barnes**, Mt. Pleasant, SC (US);
Neal Black, Goose Creek, SC (US)
(**) Term: **15 Years**
(21) Appl. No.: **29/597,114**
(22) Filed: **Mar. 14, 2017**
(51) **LOC (11) Cl.** **08-08**
(52) **U.S. Cl.**
USPC **D8/382**
(58) **Field of Classification Search**
USPC D8/354, 356, 349, 355, 382, 385, 386,
D8/388; D25/133
CPC E01D 15/14; E02B 3/064; E02B 3/068;
E02B 3/28; B63C 1/02; B63B 35/34;
B63B 21/00; F16C 11/04
See application file for complete search history.

(56) **References Cited**
U.S. PATENT DOCUMENTS
D253,392 S * 11/1979 Baltare D8/354
D253,865 S * 1/1980 Hagglund D8/382
D258,194 S * 2/1981 Stanley D25/126
4,604,962 A * 8/1986 Guibault B63B 35/38
114/218
4,926,776 A * 5/1990 Corbett E02B 3/064
114/263
5,215,027 A * 6/1993 Baxter B63B 35/34
114/266
D465,188 S * 11/2002 McCoy D12/223
D506,668 S * 6/2005 Black D8/354
7,066,102 B1 * 6/2006 Tossavainen B63B 21/00
114/230.1
D579,321 S * 10/2008 Townley D8/354

D590,697 S * 4/2009 Townley D8/354
D600,535 S * 9/2009 Rix D8/354
D604,381 S * 11/2009 Miller D22/107
D632,544 S * 2/2011 Garcia, Jr. D12/223
D648,620 S * 11/2011 Wagner D8/396
D658,045 S * 4/2012 Tabler D8/382
D727,719 S * 4/2015 Ribeiro D8/382
D790,957 S * 7/2017 Verelli D8/356
2004/0018054 A1 * 1/2004 Rueckert B63C 1/02
405/7

(Continued)

Primary Examiner — Sandra S Snapp
Assistant Examiner — Ieisha N Price
(74) *Attorney, Agent, or Firm* — B. Craig Killough;
Barnwell, Whaley, Patterson & Helms

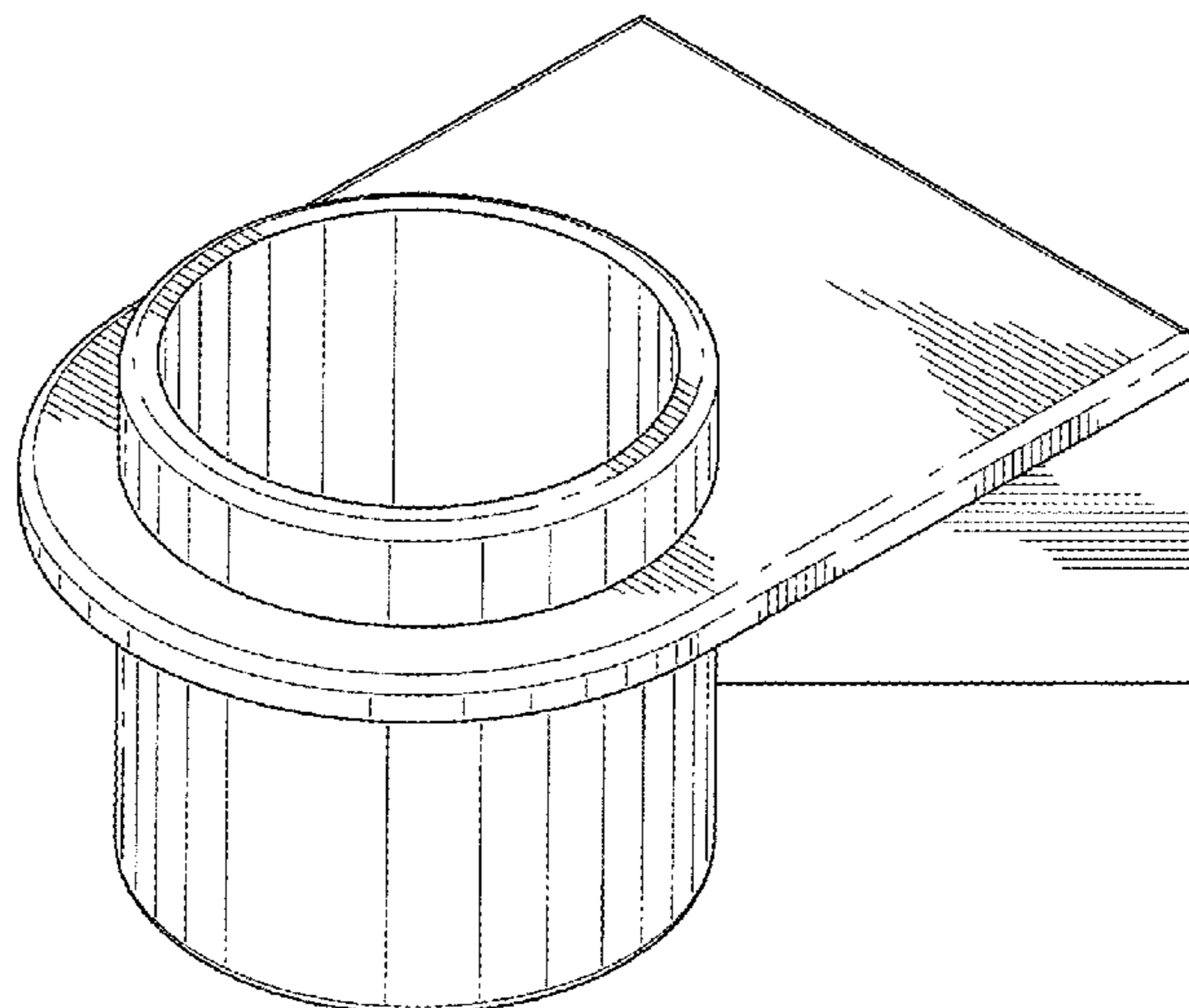
(57) **CLAIM**

The ornamental design for an external pile guide for dock corners, as shown and described.

DESCRIPTION

FIG. 1 is a top perspective view of an external pile guide for dock corners showing the new design;
FIG. 2 is a bottom perspective view of the external pile guide for dock corners;
FIG. 3 is a top plan view of the external pile guide for dock corners;
FIG. 4 is a bottom plan view of the external pile guide for dock corners;
FIG. 5 is a front elevation of the external pile guide for dock corners;
FIG. 6 is a rear elevation of the external pile guide for dock corners; and,
FIG. 7 is a right side view of the external pile guide for dock corners in relation to FIG. 5; the left side of the external pile guide for dock corners is a mirror image of FIG. 7.

1 Claim, 5 Drawing Sheets



(56)

References Cited

U.S. PATENT DOCUMENTS

2005/0204989 A1* 9/2005 Ahern B63B 3/08
114/266
2010/0300345 A1* 12/2010 La Violette B63B 3/08
114/263
2016/0040710 A1* 2/2016 Schilling A61F 5/0102
24/453
2016/0281770 A1* 9/2016 Vankoughnett B63B 35/34
2016/0347430 A1* 12/2016 Allen B63C 1/02

* cited by examiner

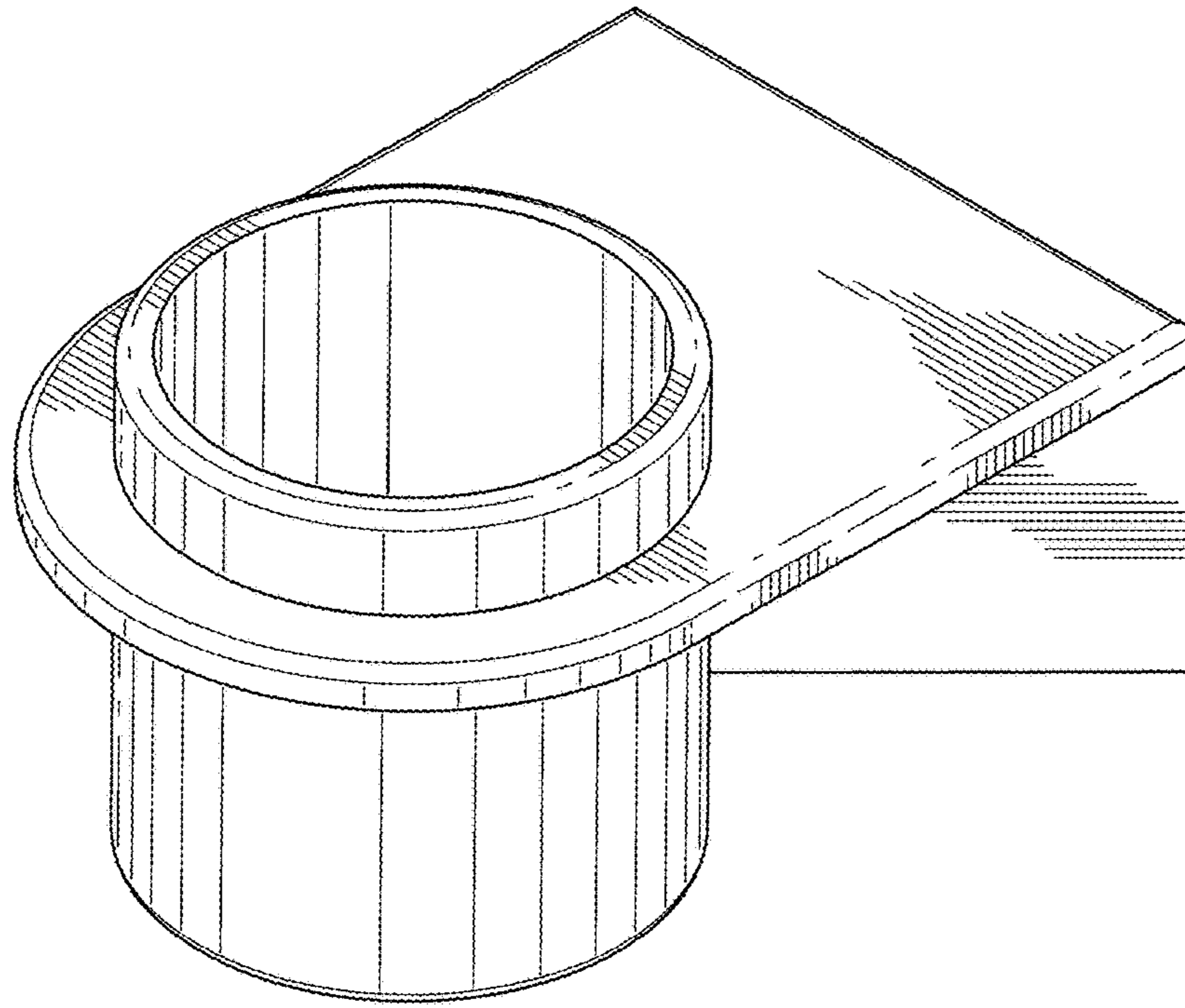


FIG. 1

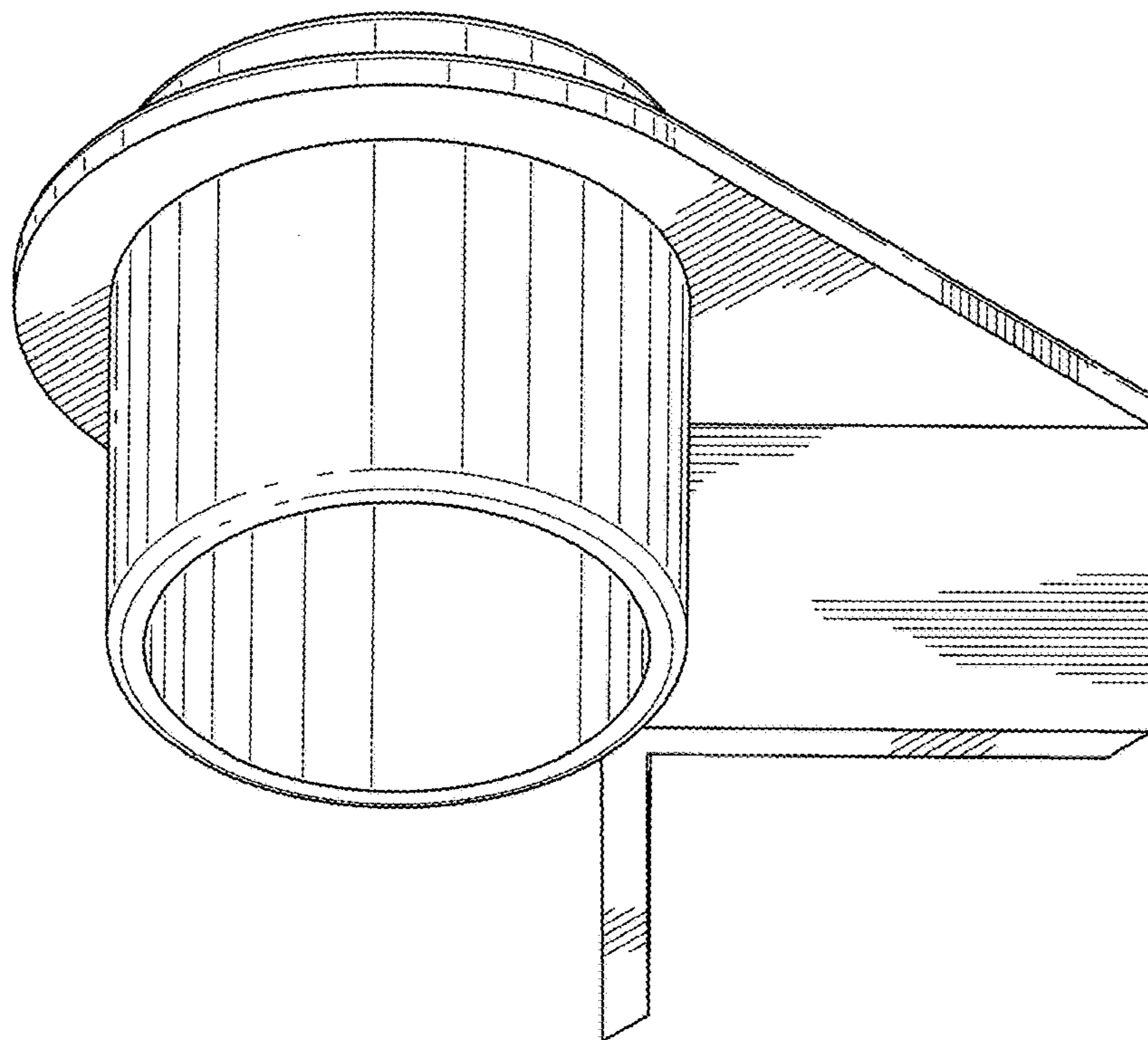


FIG. 2

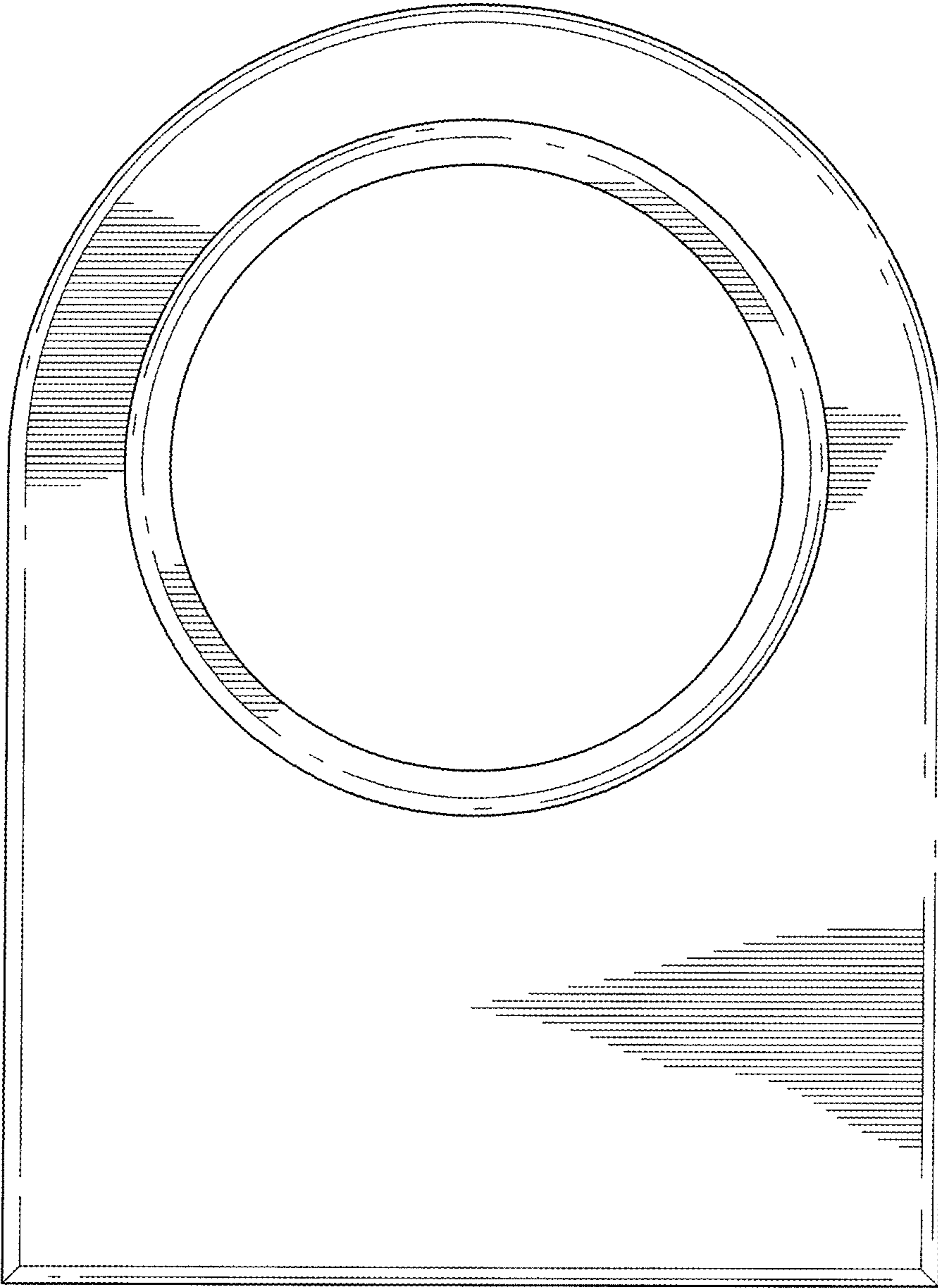


FIG.3

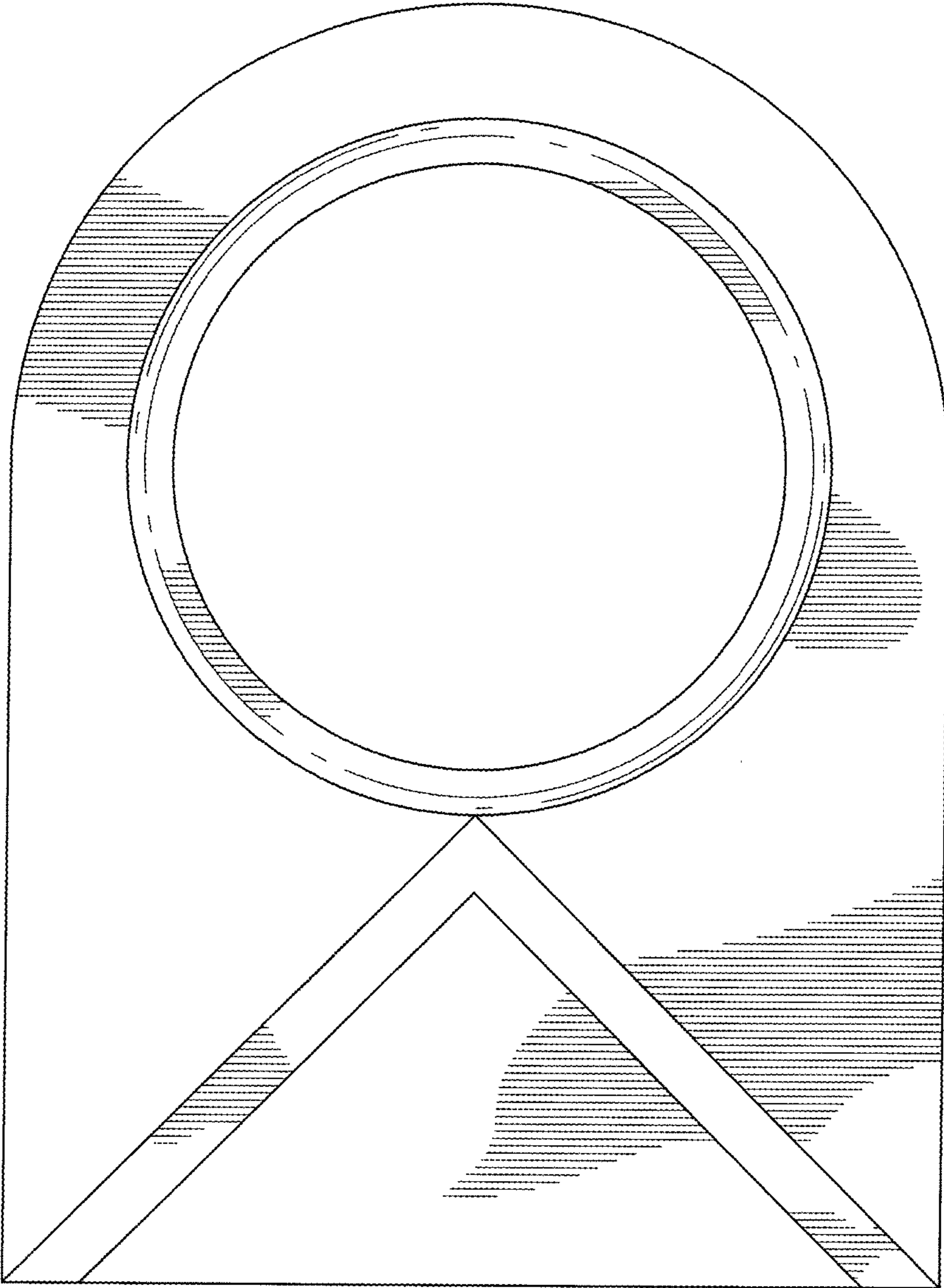


FIG.4

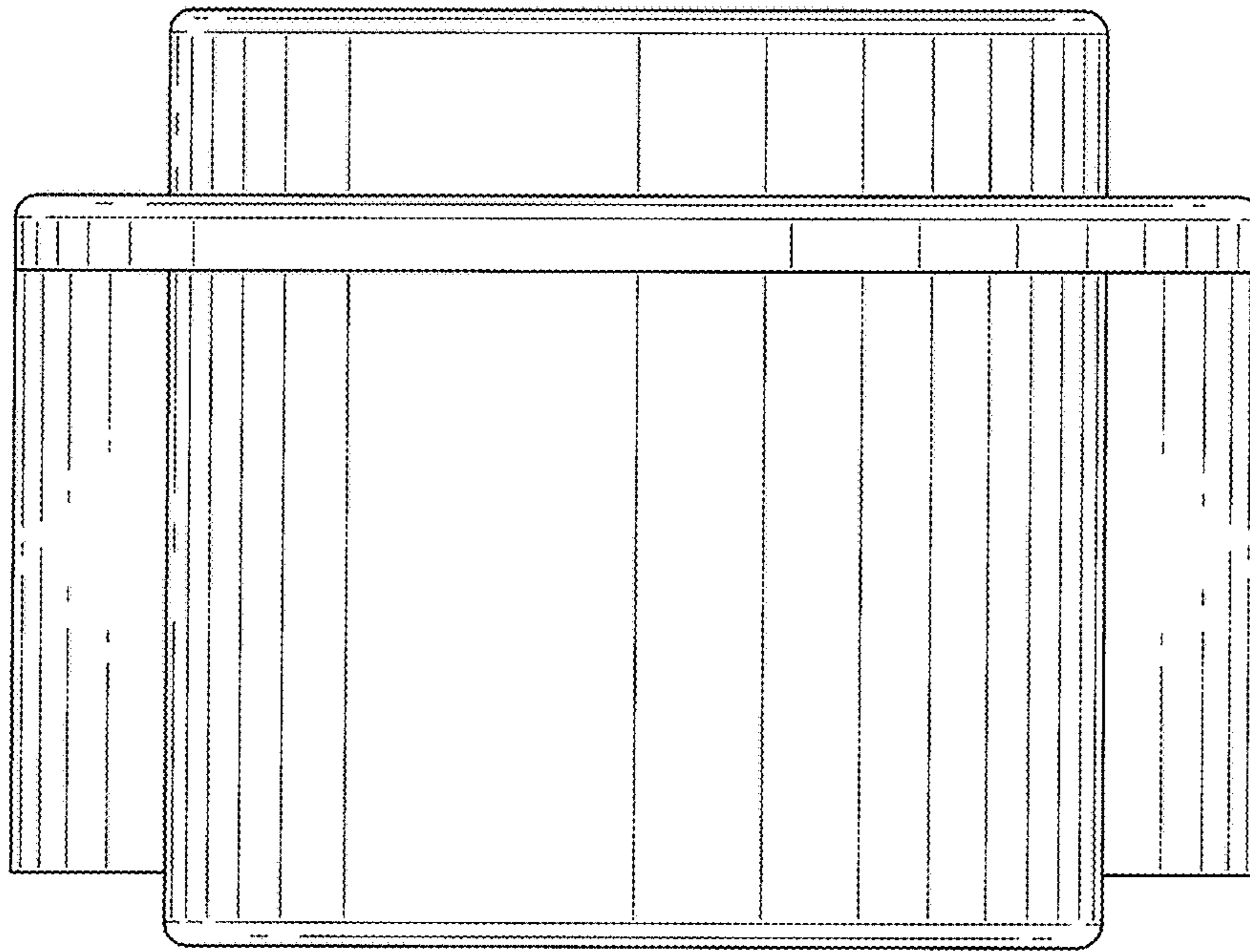


FIG. 5

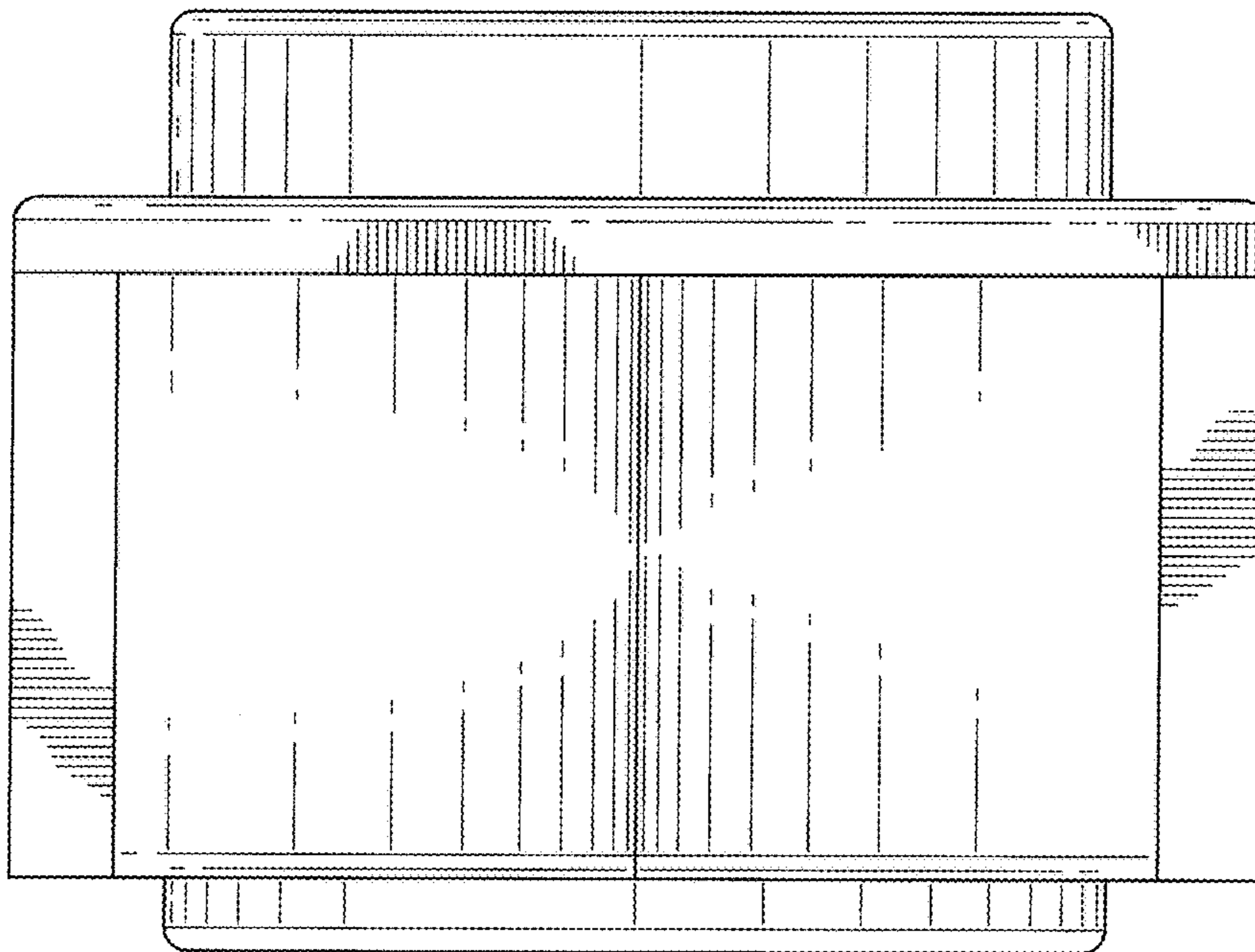


FIG. 6

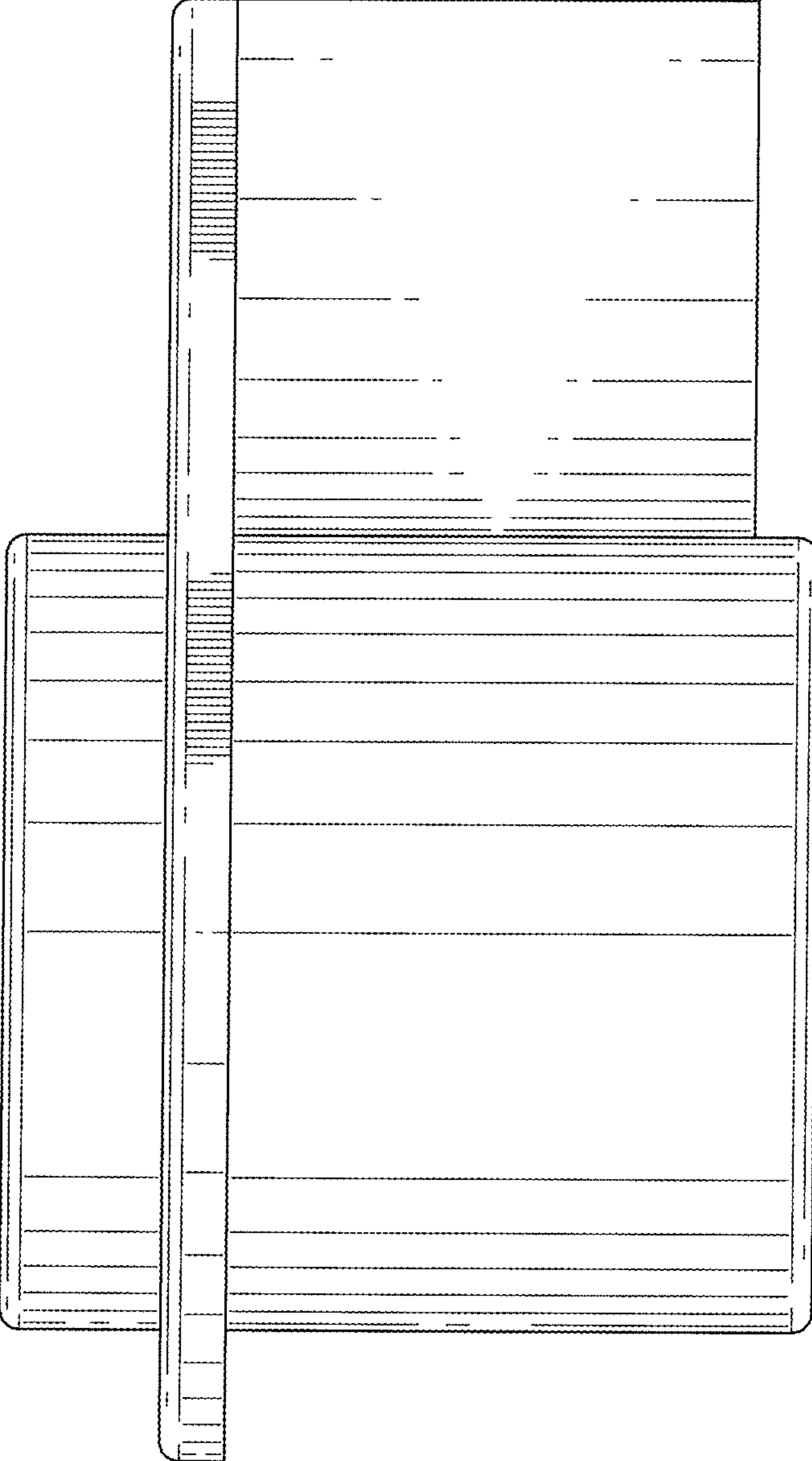


FIG. 7