

US00D828745S

(12) **United States Design Patent** (10) **Patent No.:** **US D828,745 S**
Vowels (45) **Date of Patent:** **** Sep. 18, 2018**

(54) **T-SLOT EXTENSION BAR**
(71) Applicant: **Clayton J. Vowels**, Crystal Lake, IL (US)
(72) Inventor: **Clayton J. Vowels**, Crystal Lake, IL (US)
(**) Term: **15 Years**
(21) Appl. No.: **29/588,901**
(22) Filed: **Dec. 23, 2016**
(51) **LOC (11) Cl.** **08-08**
(52) **U.S. Cl.**
USPC **D8/382**
(58) **Field of Classification Search**
USPC D8/349, 354, 355, 374, 382, 383, 371, D8/366, 499
CPC .. F16B 3/00; F16B 3/04; F16B 5/0685; F16B 5/0657; F16B 5/0664; F16B 7/025; F16B 7/187; F16B 12/20; F16B 12/24; F16B 12/36; F16B 12/32; F16B 21/09; F16B 2012/103; F16B 2012/403; F16B 45/00
See application file for complete search history.

(56) **References Cited**
U.S. PATENT DOCUMENTS
1,602,658 A * 10/1926 Germain F16B 12/24 403/381
4,112,988 A * 9/1978 Nelson B25B 23/101 24/16 PB
4,158,335 A * 6/1979 Belcastro A47B 87/002 108/64

D280,595 S * 9/1985 Wilk D8/349
D293,203 S * 12/1987 Hertensteiner 248/68.1
D313,547 S * 1/1991 Buckles D8/373
D336,284 S * 6/1993 Pruett D13/154
D365,746 S * 1/1996 Chudoba D25/124
D403,948 S * 1/1999 Pawsat D12/223
6,481,177 B1 * 11/2002 Wood F16B 7/187 403/189
D556,015 S * 11/2007 Muchnik D8/349
D566,526 S * 4/2008 Robbins, III D8/354
D721,945 S * 2/2015 Underkofler D8/382
D730,721 S * 6/2015 Degan D8/356
D747,954 S * 1/2016 Maeda D8/354
D785,442 S * 5/2017 Tseng D8/354
2014/0294498 A1 * 10/2014 Logan A47B 47/042 403/376

* cited by examiner

Primary Examiner — Sandra S Snapp
Assistant Examiner — Ieisha N Price
(74) *Attorney, Agent, or Firm* — Fraline J. Allgaier

(57) **CLAIM**

The ornamental design for a t-slot extension bar, as shown and described.

DESCRIPTION

FIG. 1 is a top perspective view of the t-slot extension bar. FIG. 2 is a right side perspective view thereof. FIG. 3 is a left side perspective view thereof. FIG. 4 is a bottom second perspective view thereof; and, FIG. 5 is an exploded perspective view thereof showing the various components of the t-slot extension bar in the dismantled state.

1 Claim, 5 Drawing Sheets

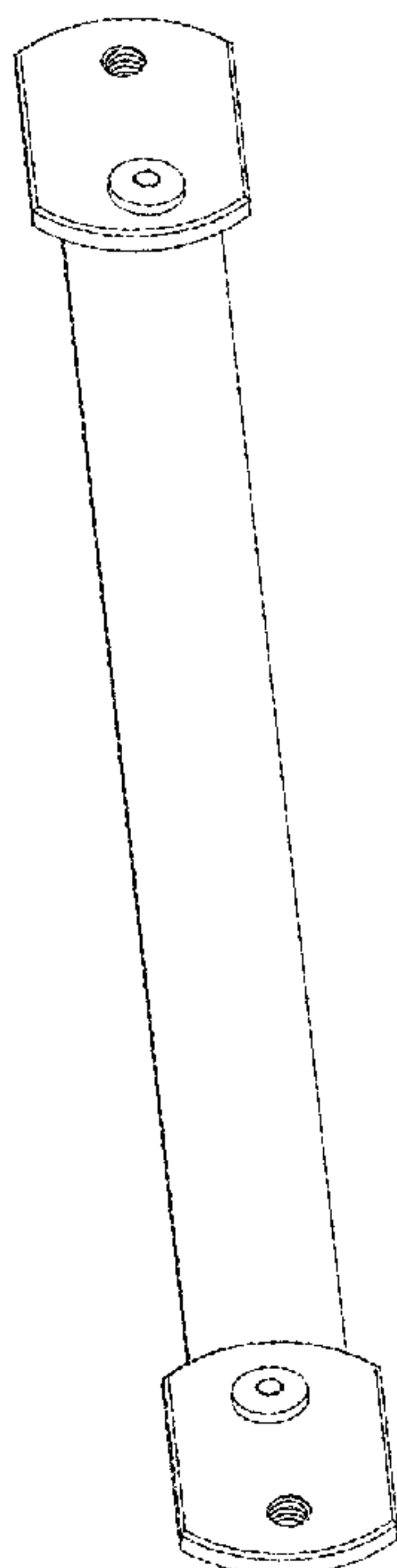


FIG. 1

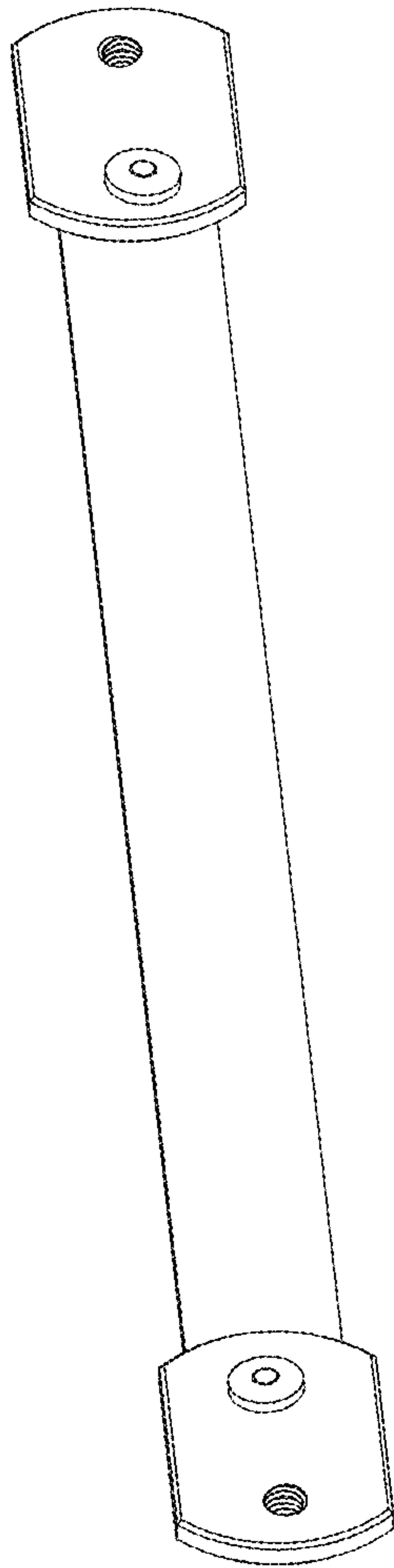


FIG. 2

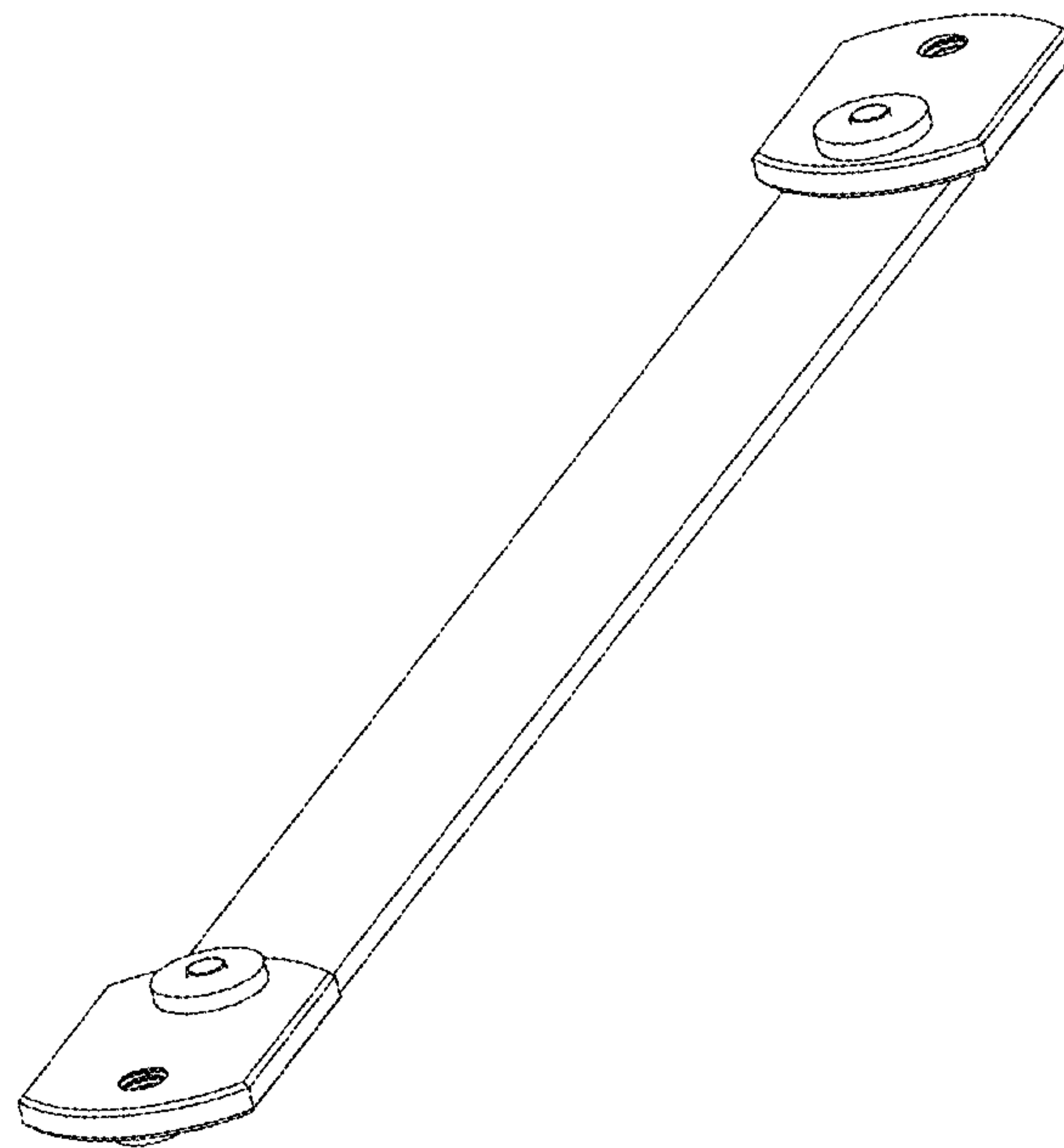


FIG. 3

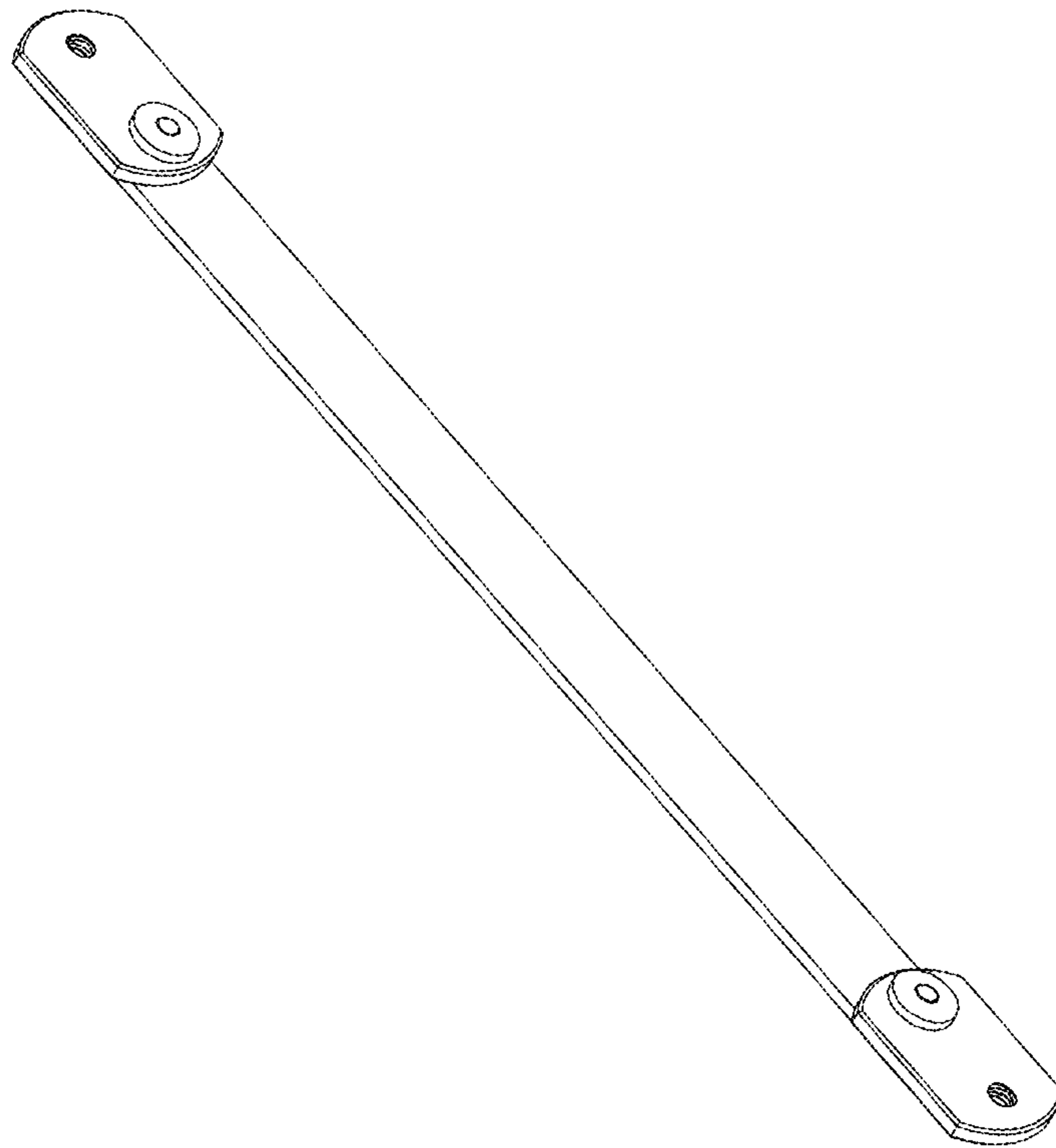


FIG. 4

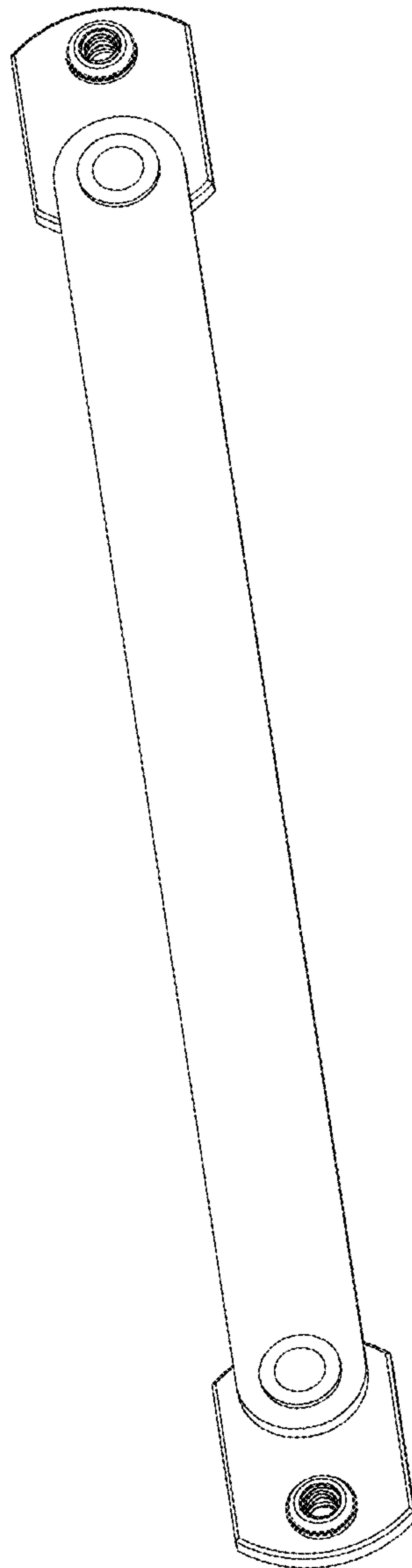


FIG. 5

