



US00D828744S

(12) **United States Design Patent**
Bright et al.

(10) **Patent No.:** **US D828,744 S**

(45) **Date of Patent:** **** Sep. 18, 2018**

- (54) **BRACKET**
- (71) Applicants: **Michael Bright**, Lititz, PA (US);
Howard Horner, Manheim, PA (US)
- (72) Inventors: **Michael Bright**, Lititz, PA (US);
Howard Horner, Manheim, PA (US)
- (73) Assignee: **A&M Hardware, Inc.**, Mount Joy, PA (US)

- 4,339,106 A * 7/1982 Navarro E04G 17/12
249/219.1
- 4,846,437 A * 7/1989 Fitzgerald E01C 19/502
249/3
- D313,163 S * 12/1990 Pace D8/373
- D327,002 S * 6/1992 Breen D8/373
- 7,182,309 B1 * 2/2007 Olsen E01C 19/506
249/2
- D805,880 S * 12/2017 Bright D8/381
- D815,305 S * 4/2018 Alvarado D25/68

(**) Term: **15 Years**

* cited by examiner

(21) Appl. No.: **29/614,892**

Primary Examiner — Lakiya G Rogers

Assistant Examiner — Harold E Blackwell, II

(22) Filed: **Aug. 24, 2017**

(74) *Attorney, Agent, or Firm* — Steve O'Donnell

(51) **LOC (11) Cl.** **08-05**

(52) **U.S. Cl.**

USPC **D8/381**

(58) **Field of Classification Search**

USPC D8/384, 380–382, 349, 353, 371, 373;
D25/78, 98, 77

CPC E04G 17/12; E04G 17/14; E04G 17/00

See application file for complete search history.

(56) **References Cited**

U.S. PATENT DOCUMENTS

- 467,490 A * 1/1892 Anderson E04B 2/30
52/564
- 4,029,288 A * 6/1977 Murphy E04G 13/00
249/216

(57) **CLAIM**

The ornamental design for a bracket, as shown and described.

DESCRIPTION

FIG. 1 is a perspective view of our design.

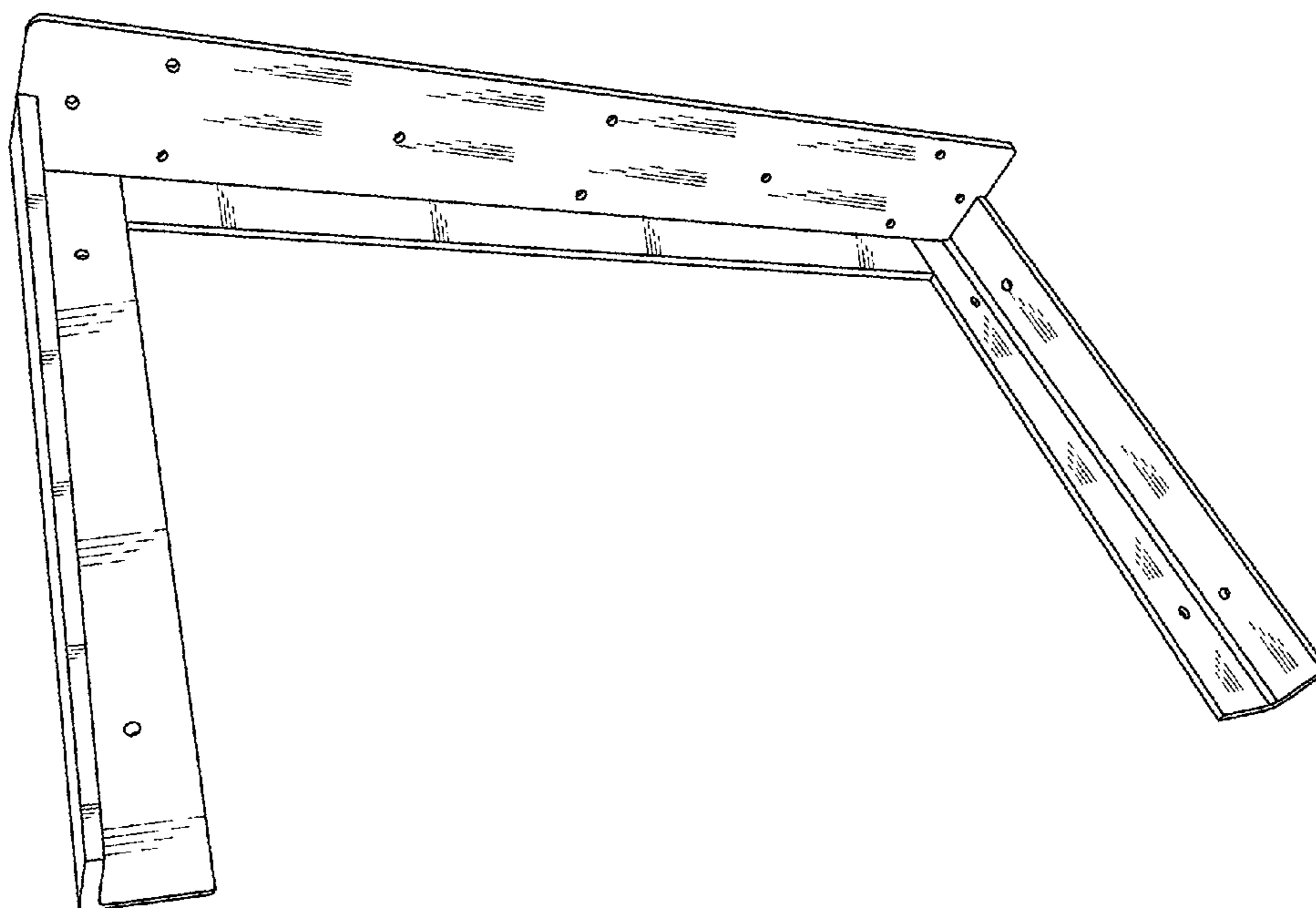
FIG. 2 is another perspective view of our design.

FIG. 3 is a perspective view of our design from the side; and,

FIG. 4 is a perspective view of our design from the side with

the design flipped on its horizontal axis relative to the view of FIG. 3.

1 Claim, 4 Drawing Sheets



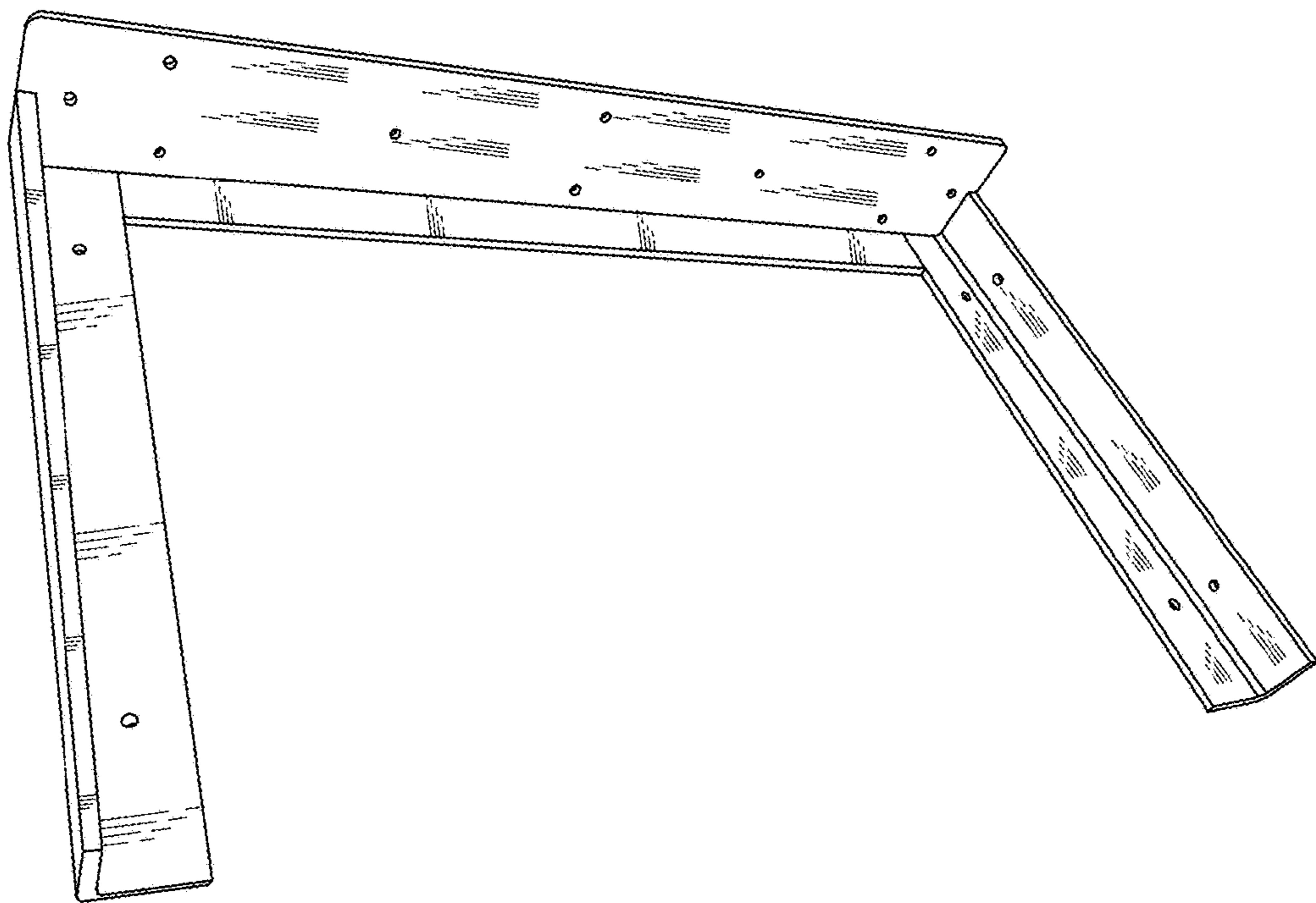


FIG. 1

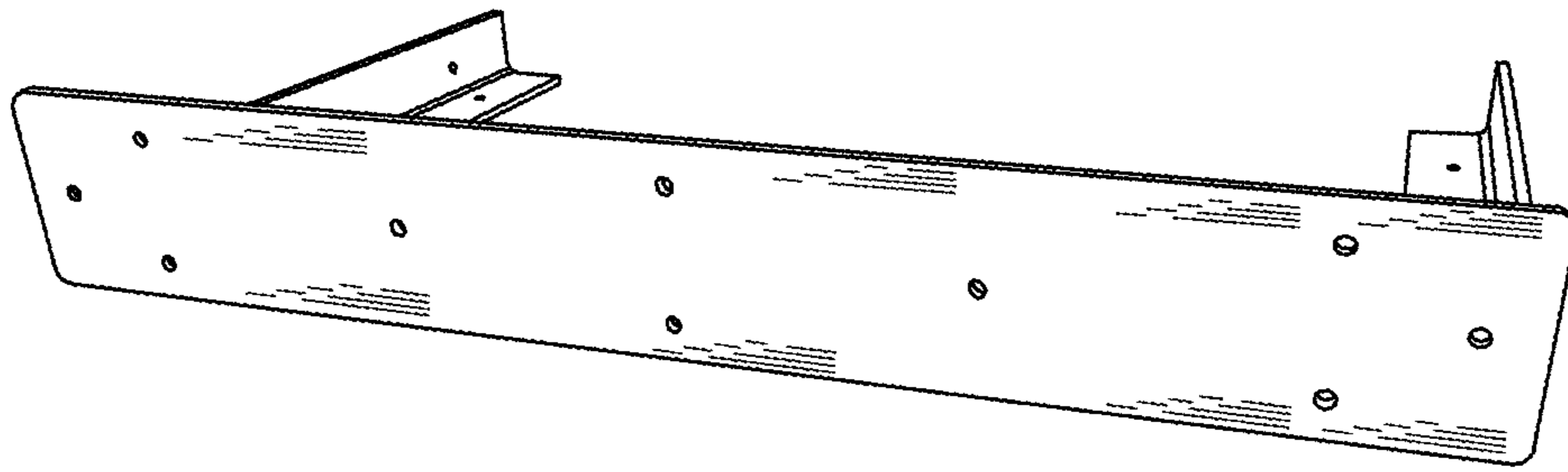


FIG. 2

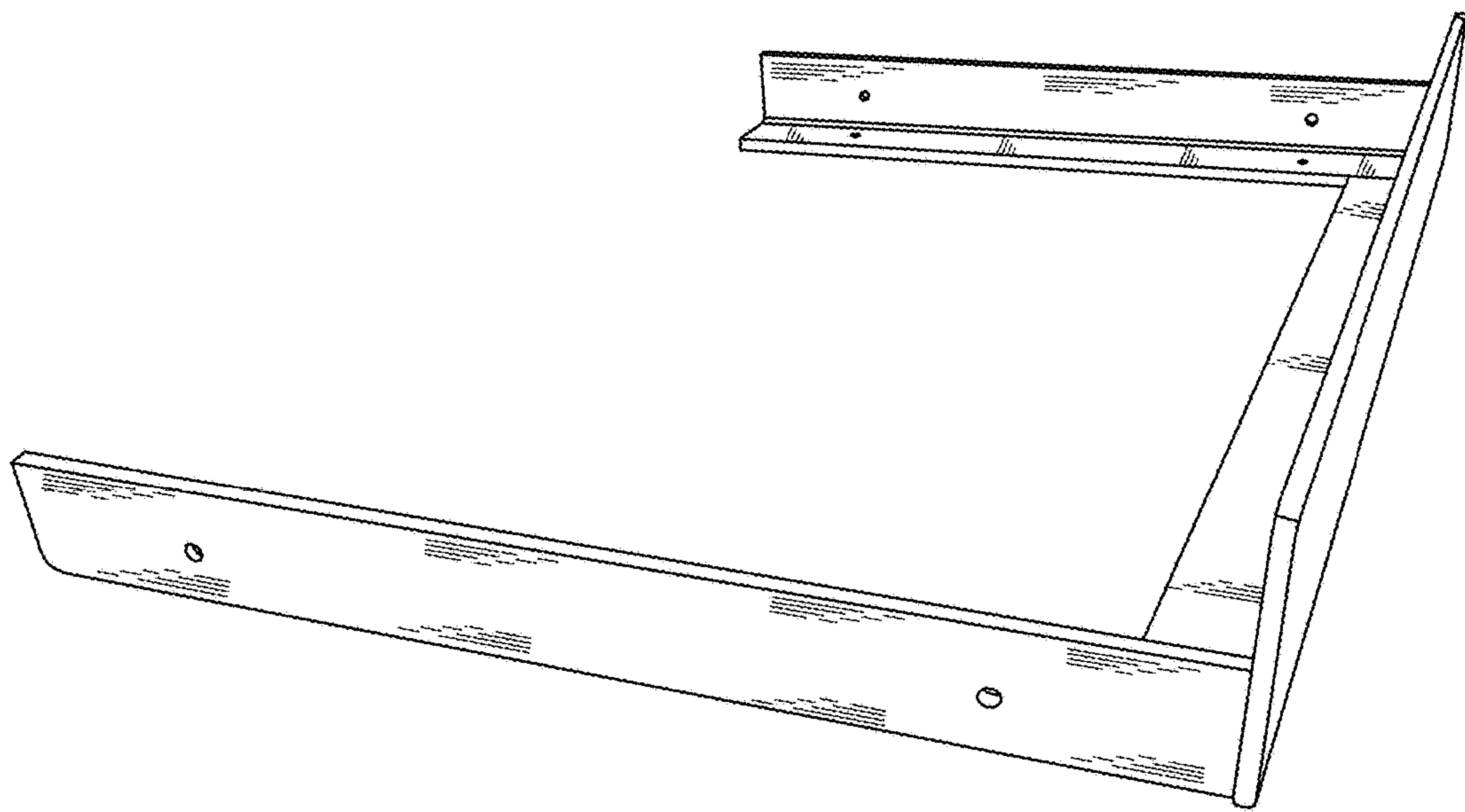


FIG. 3

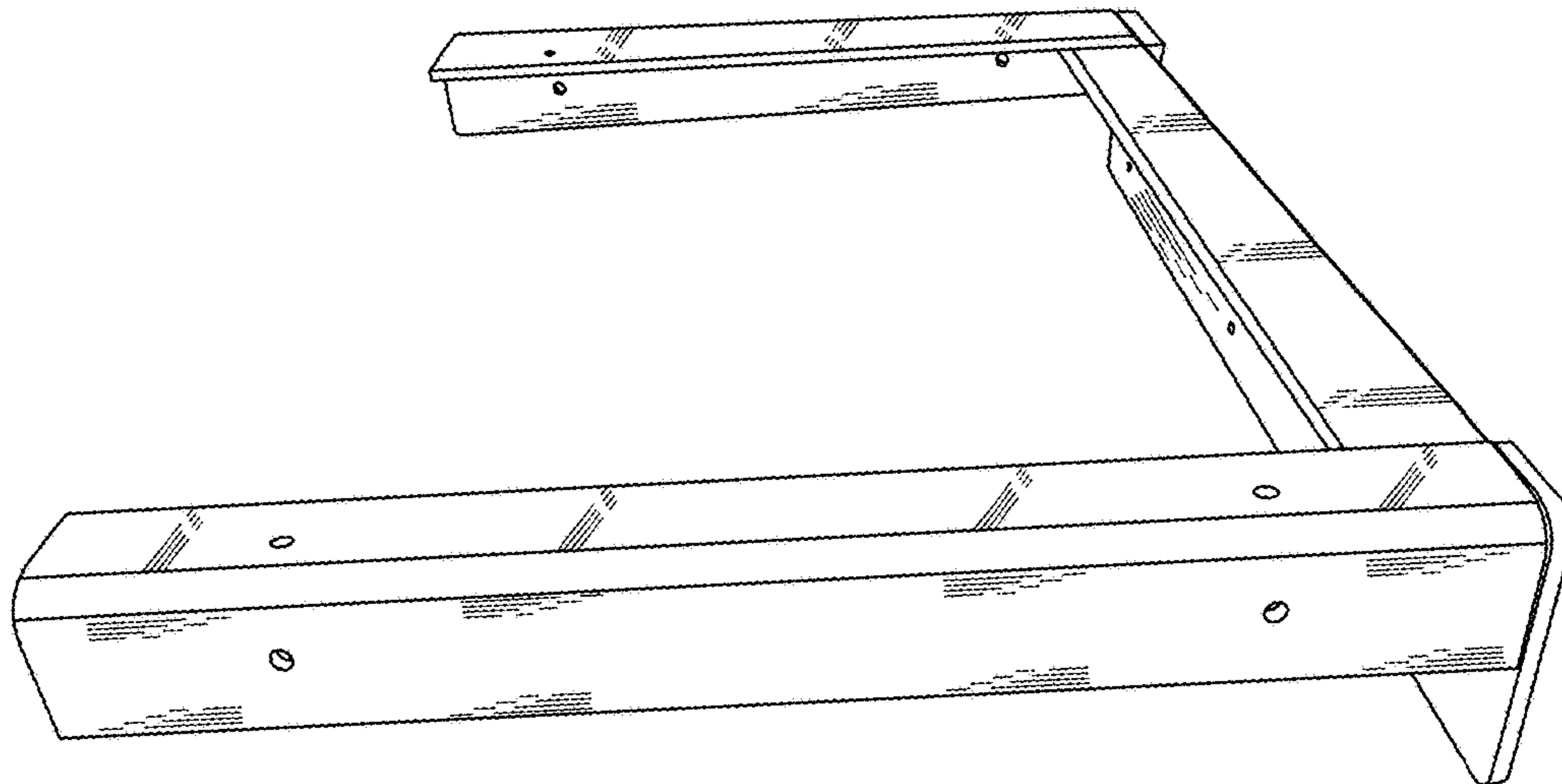


FIG. 4