



US00D828743S

(12) **United States Design Patent**
Bright et al.

(10) **Patent No.:** **US D828,743 S**

(45) **Date of Patent:** **** Sep. 18, 2018**

(54) **BRACKET**

(71) Applicant: **A&M Hardware, Inc.**, Mount Joy, PA (US)

(72) Inventors: **Michael Bright**, Lititz, PA (US);
Howard Horner, Manheim, PA (US)

(73) Assignee: **A&M Hardware, Inc.**, Mount Joy, PA (US)

(**) Term: **15 Years**

(21) Appl. No.: **29/631,044**

(22) Filed: **Dec. 27, 2017**

(51) **LOC (11) Cl.** **08-05**

(52) **U.S. Cl.**
USPC **D8/380**

(58) **Field of Classification Search**
USPC D8/384, 380-382, 349, 353, 371, 373
CPC A47B 96/061; A47B 57/562; A47B 73/00;
A47B 81/007
See application file for complete search history.

(56) **References Cited**

U.S. PATENT DOCUMENTS

6,311,851 B1 * 11/2001 Knudsen, Sr. A01G 5/04
211/13.1
6,513,776 B1 * 2/2003 Bissett B05B 13/02
173/171

D565,390 S * 4/2008 Sipe D8/356
D568,727 S * 5/2008 Walker D8/380
D573,008 S * 7/2008 Sipe D8/356
9,307,700 B1 * 4/2016 Schmitt G09F 17/00
D769,698 S * 10/2016 Oltrogge D8/349
D784,633 S * 4/2017 Kangas D32/3
D789,179 S * 6/2017 Minkovich D8/354
9,736,992 B1 * 8/2017 Barry A01G 5/04
D805,880 S * 12/2017 Bright D8/381
D808,576 S * 1/2018 Clarke D26/138
D814,905 S * 4/2018 Ralph D8/349
D815,313 S * 4/2018 Ralph D25/199
D815,314 S * 4/2018 Ralph D25/199
2003/0137832 A1 * 7/2003 Little A47G 7/045
362/183

* cited by examiner

Primary Examiner — Lakiya G Rogers

Assistant Examiner — Harold E Blackwell, II

(74) *Attorney, Agent, or Firm* — Steve O'Donnell

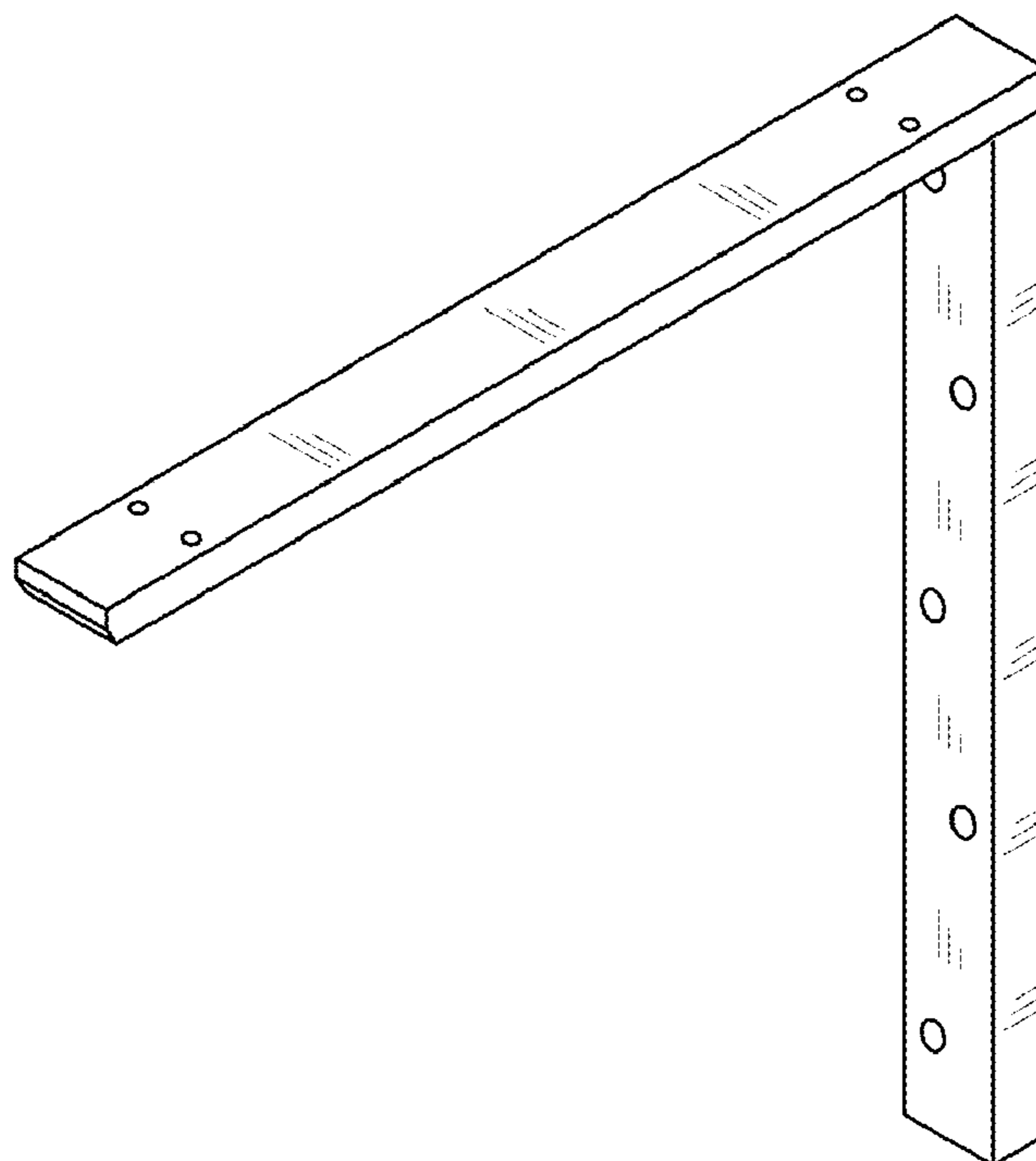
(57) **CLAIM**

The ornamental design for a bracket, as shown and described.

DESCRIPTION

FIG. 1 is a first perspective view of our design.
FIG. 2 is a second perspective view of our design; and,
FIG. 3 is a side view of our design.

1 Claim, 3 Drawing Sheets



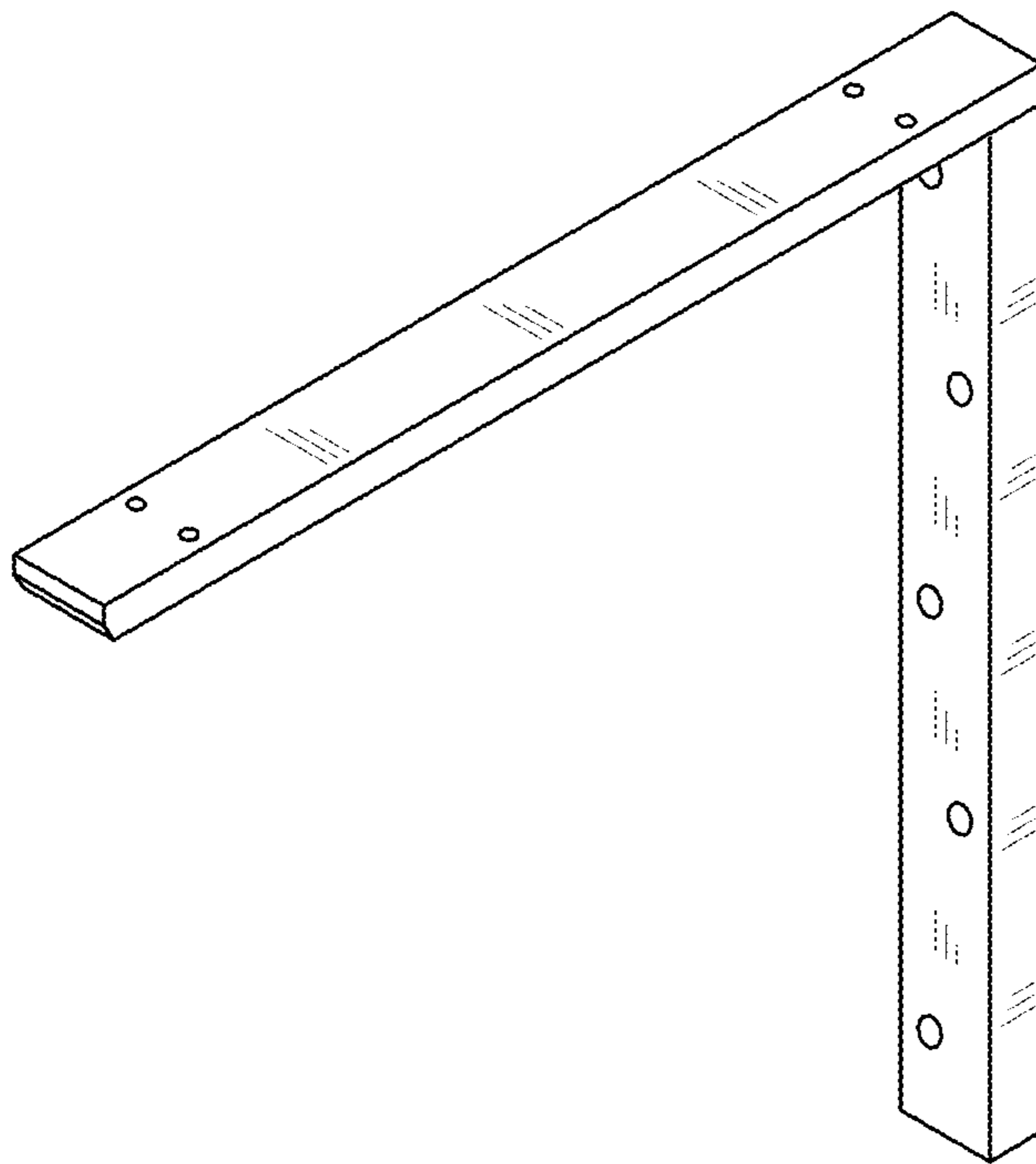


Fig. 1

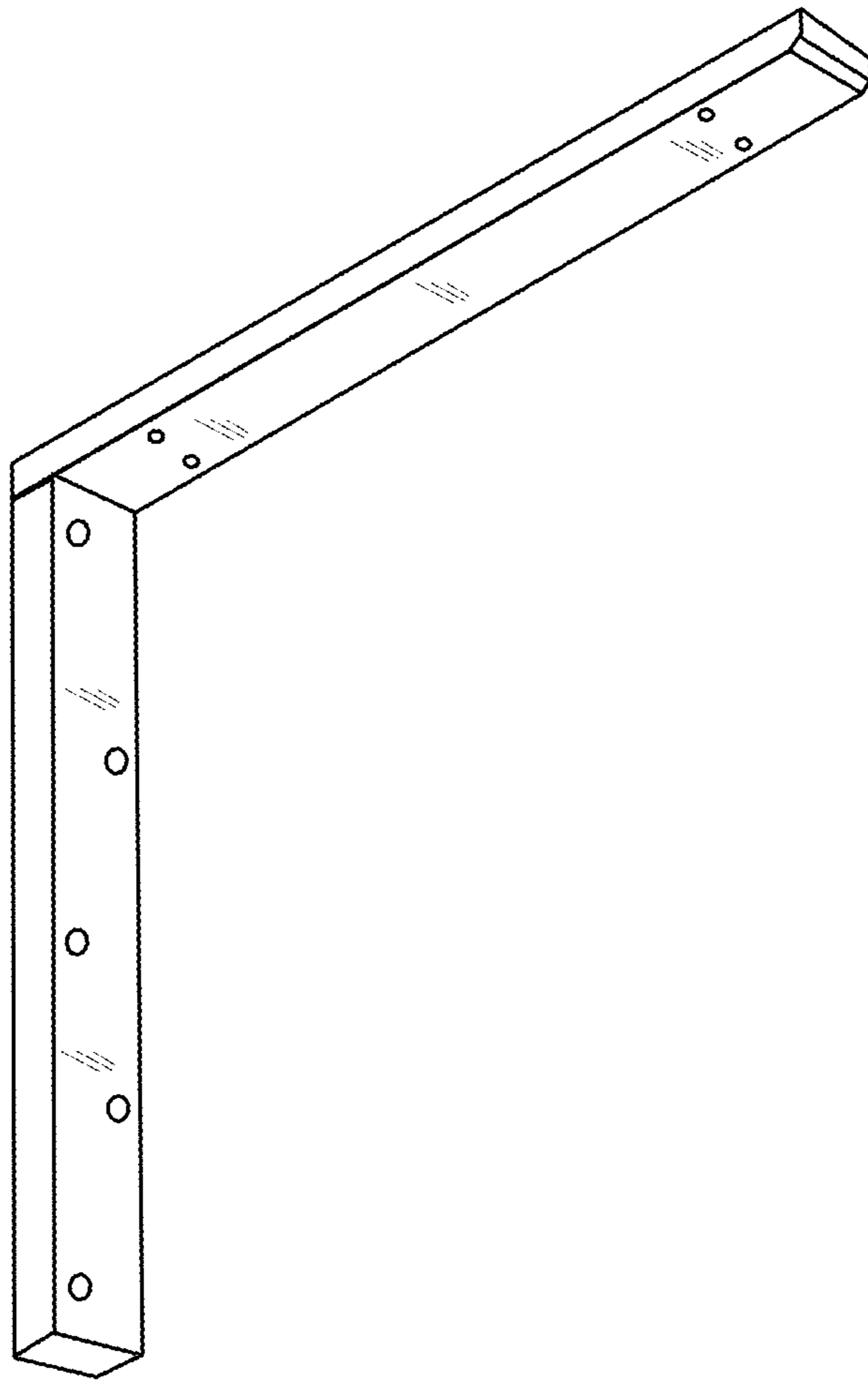


Fig. 2

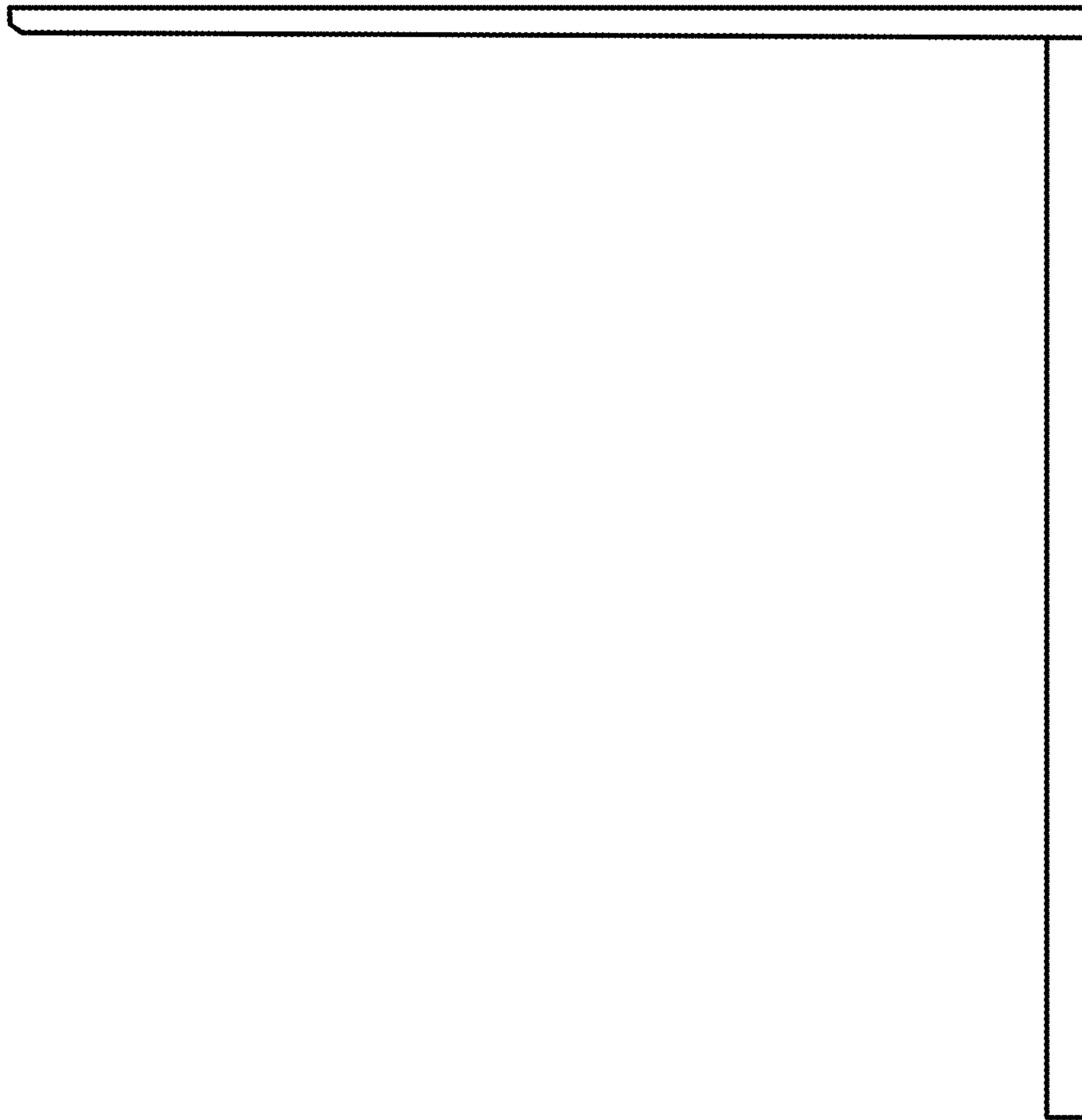


Fig. 3