



US00D828742S

(12) **United States Design Patent**
Reisender

(10) **Patent No.:** **US D828,742 S**

(45) **Date of Patent:** **** Sep. 18, 2018**

(54) **HIGH SECURITY ANTI-SPLASH SYSTEM CUFFING BOX**

(71) Applicant: **David Paul Reisender**, Ellenville, NY (US)

(72) Inventor: **David Paul Reisender**, Ellenville, NY (US)

(**) Term: **15 Years**

(21) Appl. No.: **29/604,509**

(22) Filed: **May 18, 2017**

(51) **LOC (11) Cl.** **08-07**

(52) **U.S. Cl.**
USPC **D8/343**; D8/330; D99/28

(58) **Field of Classification Search**
USPC D8/330, 331, 343, 346, 349, 400, 499; D9/721, 418, 414, 432; 70/69, 77, 184, 70/431, 1.5, 57.1, 51, 54, 57, 63, 168, 70/169, 278, 279.1; 211/13.1, 86.01; 312/205, 242, 245, 409, 265.5, 410; 109/45-51, 58, 59 R, 64; 220/8, 528, 220/529, 628, 629, 476
CPC . B65D 1/22; B65D 1/26; B65D 55/02; B65D 55/14; E05B 65/00; E05B 65/006; E05B 65/0075; E05G 1/02; E05G 1/005; E05G 1/04

See application file for complete search history.

(56) **References Cited**

U.S. PATENT DOCUMENTS

- 1,394,981 A * 10/1921 Henderson B65D 55/14 217/56
- 3,166,364 A * 1/1965 Shorin, Jr. E05G 1/005 109/54
- 3,433,185 A * 3/1969 Roberts E05G 1/005 109/55
- D345,282 S * 3/1994 Henninger D7/393
- D349,913 S * 8/1994 Morris D16/203

- 5,624,071 A * 4/1997 Sosan A47G 29/20 232/1 B
- 5,850,967 A * 12/1998 White A47G 29/1209 232/17
- 6,736,311 B2 * 5/2004 Hagglund G07D 11/0009 235/10
- D511,035 S * 10/2005 Perella D99/28
- 8,117,973 B1 * 2/2012 Frank E05G 1/005 109/47
- 8,413,821 B2 * 4/2013 Johnson A47F 3/002 211/40
- 8,959,963 B2 * 2/2015 Stoll B65D 55/02 206/1.5
- D752,314 S * 3/2016 Nachtman D99/28

* cited by examiner

Primary Examiner — Elizabeth J Oswecki

(74) *Attorney, Agent, or Firm* — Dunlap Bennett & Ludwig PLLC

(57) **CLAIM**

The ornamental design for a high security anti-splash system cuffing box, as shown and described.

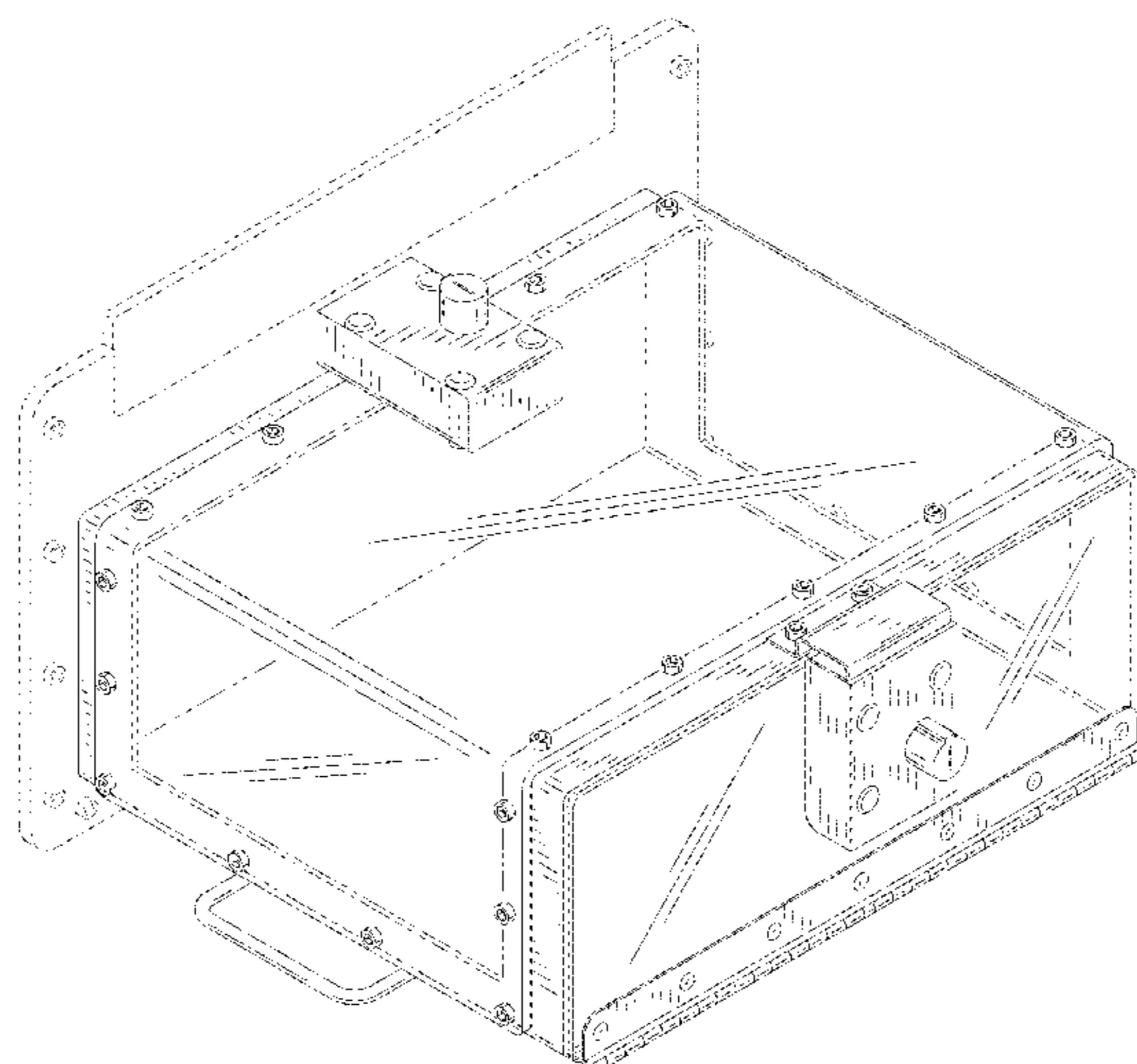
DESCRIPTION

FIG. 1 is a perspective view of a high security anti-splash system cuffing box, showing my new design; FIG. 2 is a front elevation view thereof; FIG. 3 is a left side elevation view thereof, the right side elevation being a mirror image thereof; FIG. 4 is a top plan view thereof; and, FIG. 5 is a bottom plan view thereof.

The broken lines of even length depict environmental subject matter that forms no part of the claimed design, while the dash-dot-dot-dash lines shown in the drawings depict portions of the high security anti-splash system cuffing box visible through transparent material and forms no part of the claimed design.

No rear elevation view is shown as it is not visible during use, flat and unornamental, and so forms no part of the claimed design.

1 Claim, 4 Drawing Sheets



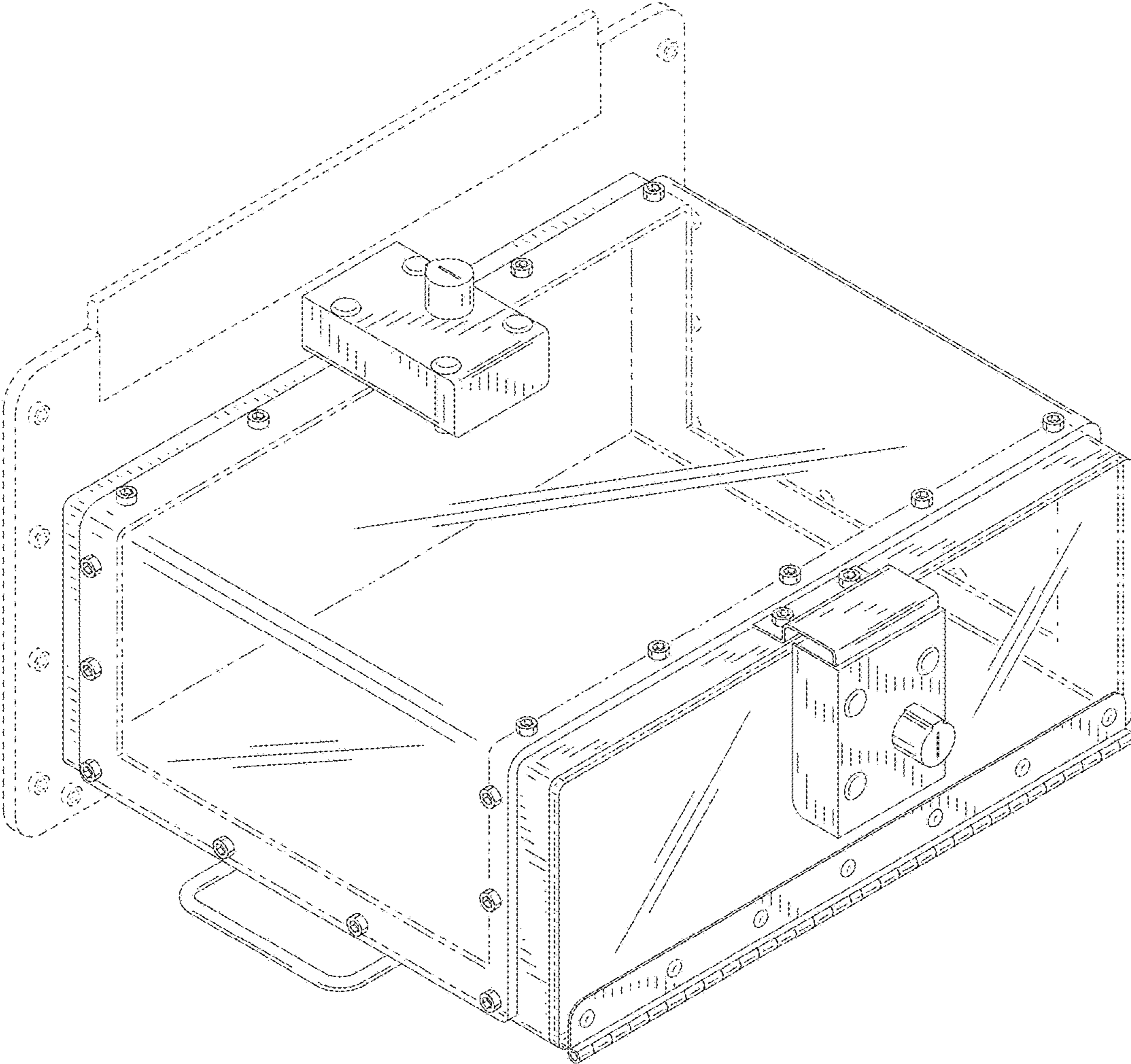


FIG.1

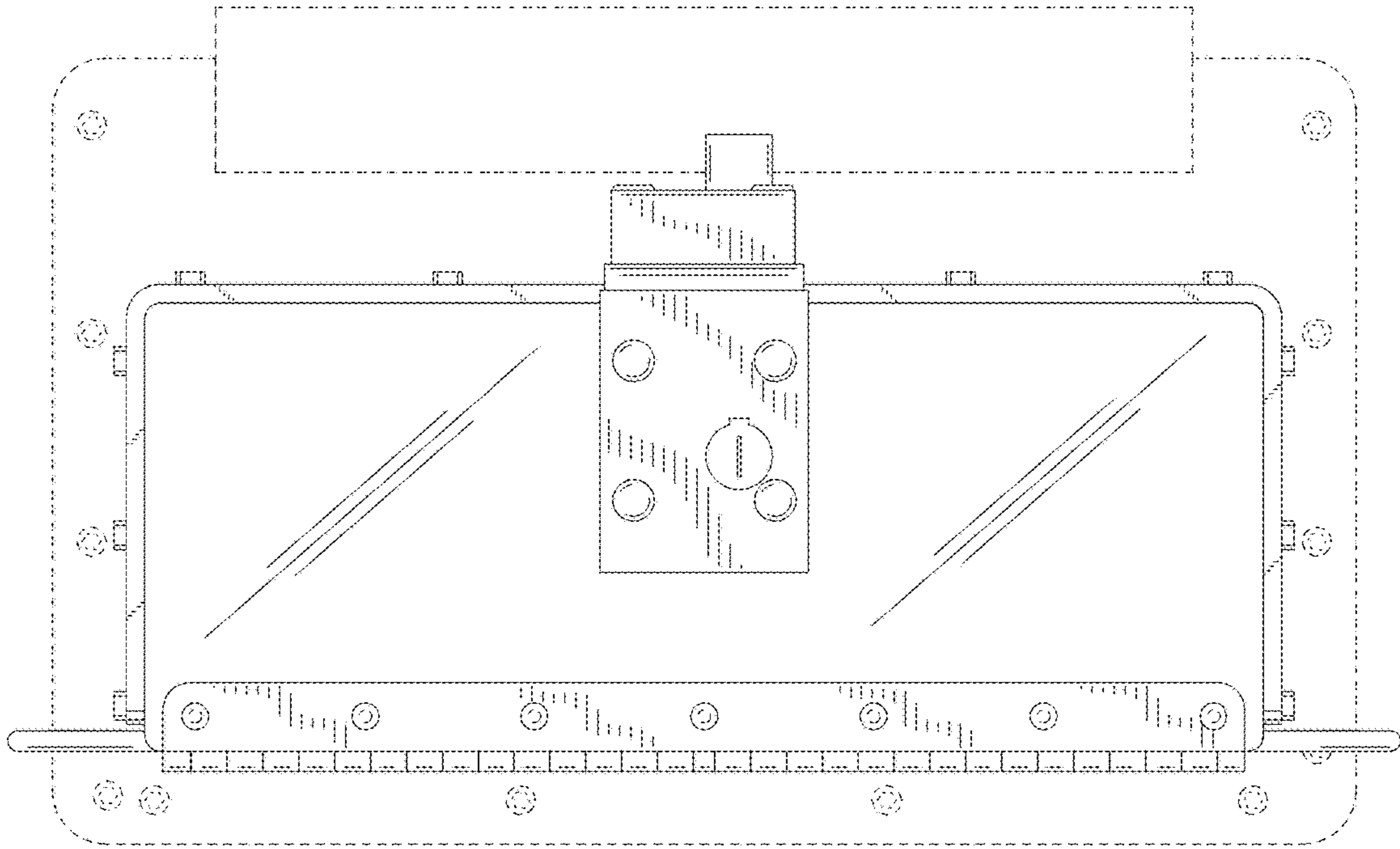


FIG. 2

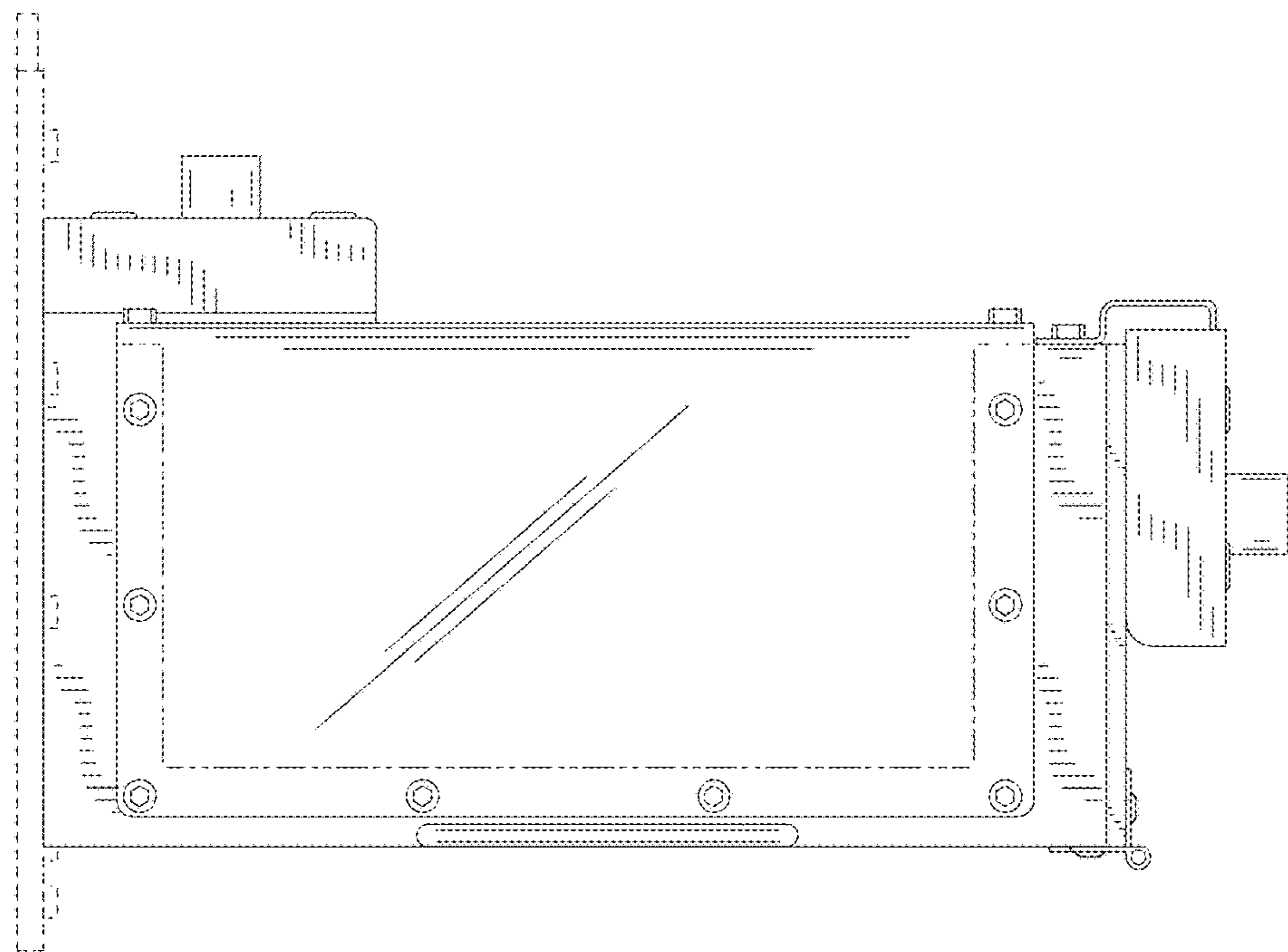


FIG. 3

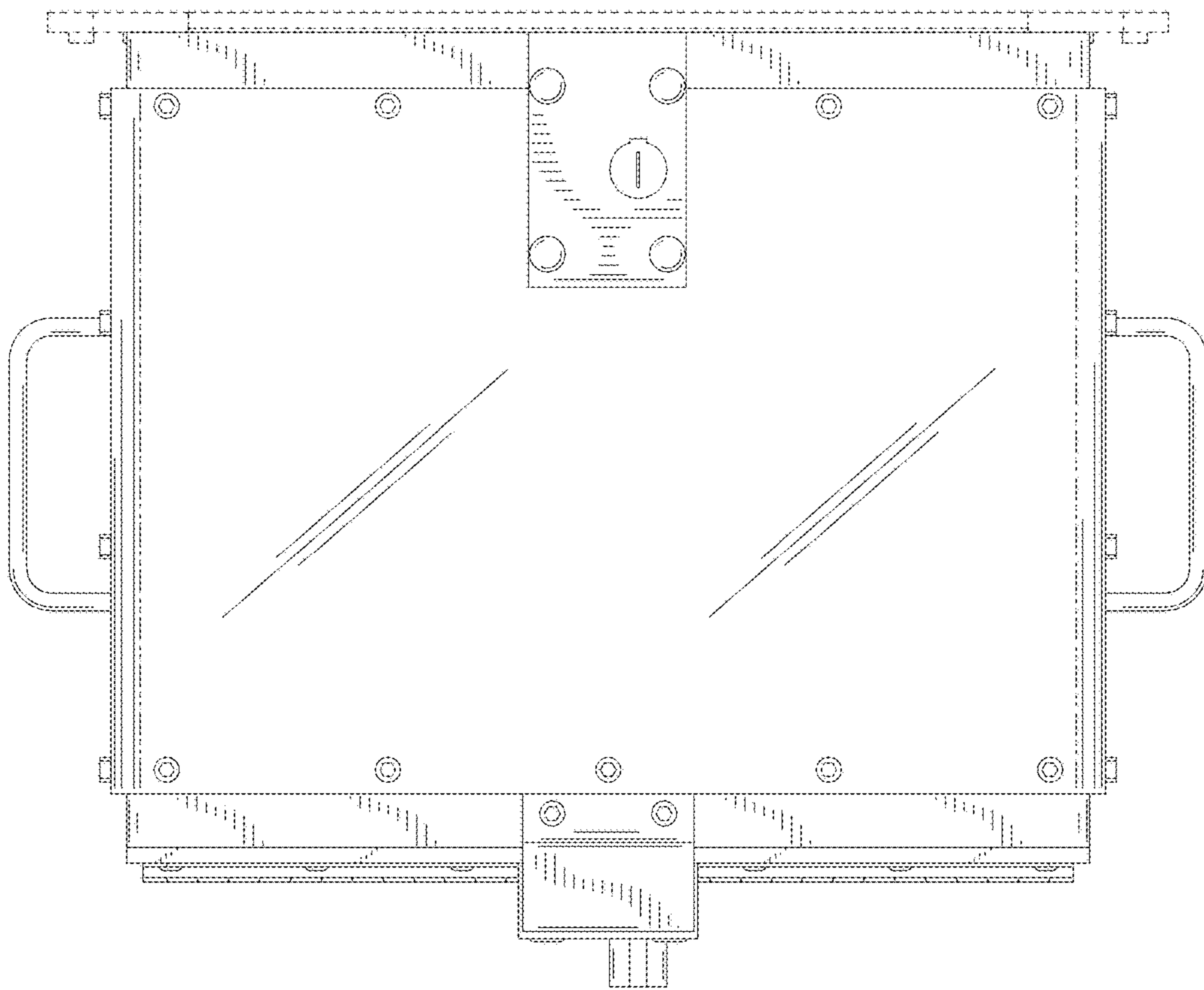


FIG.4

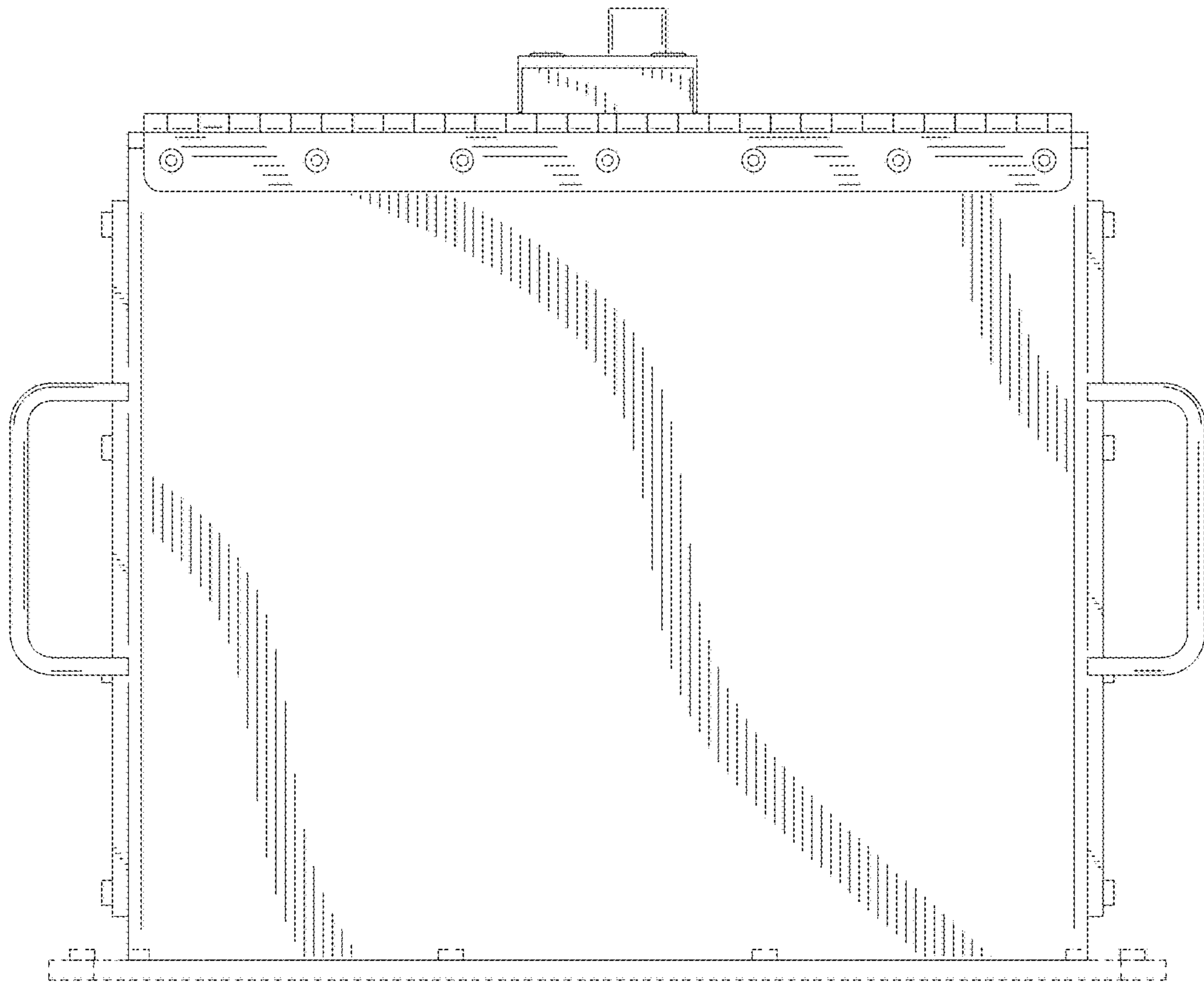


FIG.5