



US00D828739S

(12) **United States Design Patent** (10) **Patent No.:** **US D828,739 S**
Scherer (45) **Date of Patent:** **** Sep. 18, 2018**

- (54) **TOOL ORGANIZER**
- (71) Applicant: **Jason Ryan Scherer**, Danville, CA
(US)
- (72) Inventor: **Jason Ryan Scherer**, Danville, CA
(US)
- (**) Term: **15 Years**
- (21) Appl. No.: **29/627,452**
- (22) Filed: **Nov. 27, 2017**
- (51) **LOC (11) Cl.** **08-05**
- (52) **U.S. Cl.**
USPC **D8/71**
- (58) **Field of Classification Search**
USPC D6/323, 553, 569; D15/140; D8/71, 373
CPC Y10S 81/00; Y10S 81/01; Y10S 81/03
See application file for complete search history.

(56) **References Cited**

U.S. PATENT DOCUMENTS

1,620,199 A * 3/1927 Felicety D06F 57/127
211/204

D228,588 S * 10/1973 Gruden D8/71

D259,311 S * 5/1981 Nordlund D6/569

D259,313 S * 5/1981 Nordlund D6/569

4,508,229 A * 4/1985 Yost, Jr. A63C 11/028
211/4

4,976,450 A 12/1990 Ellefson

5,050,733 A * 9/1991 Brennan B25H 3/06
206/373

5,526,941 A * 6/1996 Ford A47F 5/0869
211/103

D377,310 S * 1/1997 Crump, Jr. D8/373

D377,593 S * 1/1997 Telfer D8/71

D386,817 S * 11/1997 Chesney D28/38

5,755,342 A * 5/1998 Hoffman A47B 81/005
211/204

D417,958 S * 12/1999 West D3/315

D425,723 S * 5/2000 Hurt D6/675.2

6,059,108 A * 5/2000 Schiltz, Jr. B25H 3/06
206/373

6,641,455 B2 * 11/2003 Chan A63H 33/3072
446/297

6,681,940 B1 1/2004 Cash et al.

6,837,383 B1 1/2005 McElhaney, Jr.

D537,653 S * 3/2007 Liu D8/71

D541,612 S * 5/2007 Lin D3/905

7,210,689 B2 5/2007 Guirlinger

7,584,973 B2 9/2009 Brager

7,798,336 B2 * 9/2010 Shiao B25H 3/04
211/70.6

7,967,355 B2 * 6/2011 Lin B25H 3/025
206/372

(Continued)

Primary Examiner — Lakiya G Rogers
Assistant Examiner — Harold E Blackwell, II
 (74) *Attorney, Agent, or Firm* — Adams Law Office;
 Sharon Adams

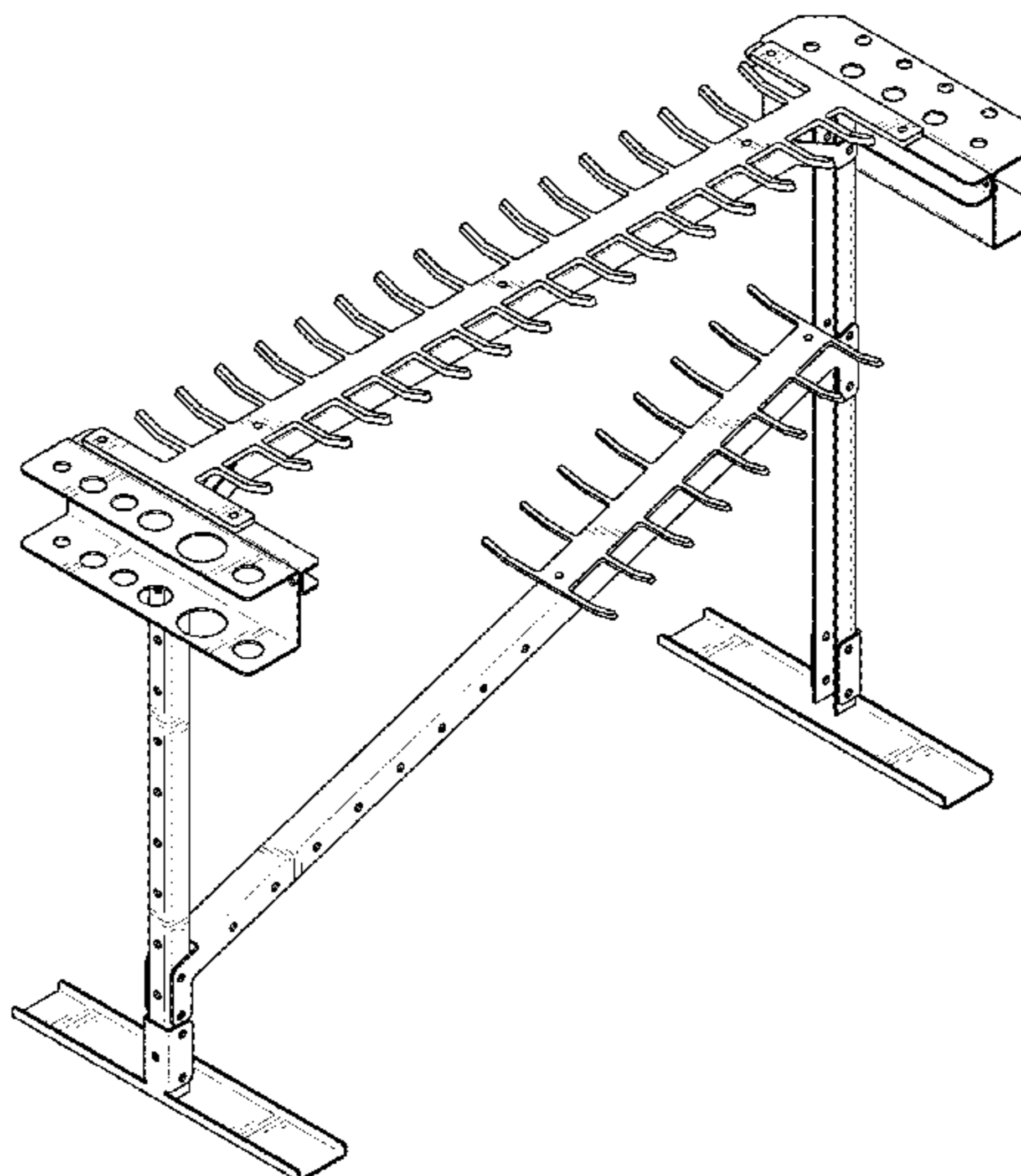
(57) **CLAIM**

The ornamental design for a tool organizer, as shown and described.

DESCRIPTION

FIG. 1 is a perspective view of the tool organizer.
 FIG. 2 is a front elevational view thereof.
 FIG. 3 is a top plan view thereof.
 FIG. 4 is side elevational view, the opposite side elevational view being a mirror image thereof.
 FIG. 5 is bottom plan view thereof; and,
 FIG. 6 is a perspective view thereof, with the environmental surroundings illustrated with broken lines.
 The broken line showing in FIG. 6 is for the purpose of illustrating the environmental surroundings, and forms no part of the claimed design. The superimposed broken lines showing may obscure parts of the solid line disclosure, however FIG. 1-5 show the claimed subject matter.

1 Claim, 4 Drawing Sheets



(56)

References Cited

U.S. PATENT DOCUMENTS

8,038,019 B2 * 10/2011 Wagner A47F 5/137
211/60.1
8,127,945 B2 3/2012 Nguy et al.
8,448,959 B1 * 5/2013 Pohot B25H 3/02
280/47.131
8,544,653 B2 * 10/2013 Kao B25H 3/04
206/485
D714,062 S * 9/2014 Chen D3/313
D725,406 S * 3/2015 Olszewski D6/567
9,358,680 B1 * 6/2016 Krueger B25H 3/00
D817,166 S * 5/2018 Wolfer D8/395
D818,358 S * 5/2018 Wolfer D8/395
2008/0023420 A1 1/2008 Kao
2011/0174752 A1 7/2011 Liao

* cited by examiner

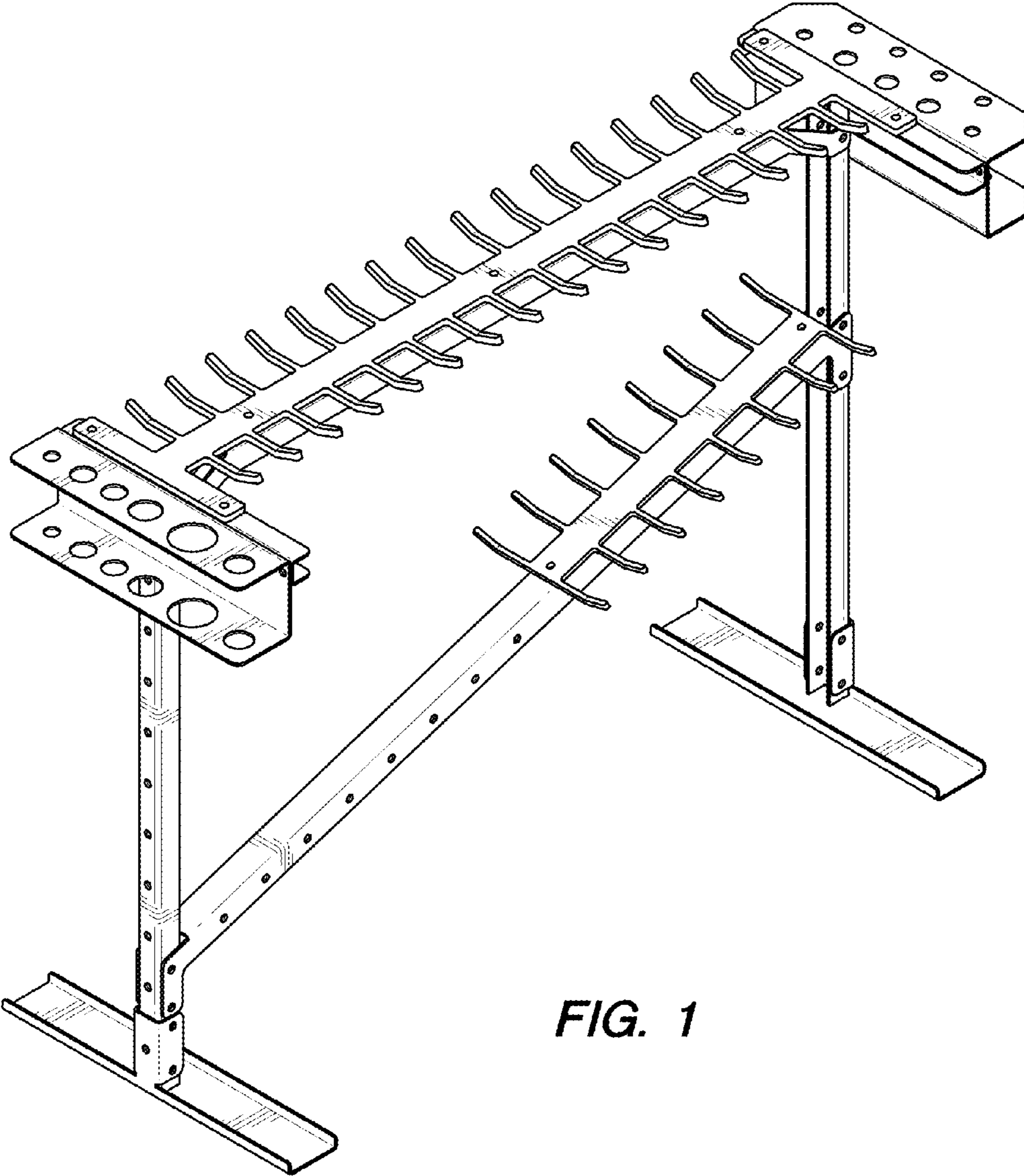


FIG. 1

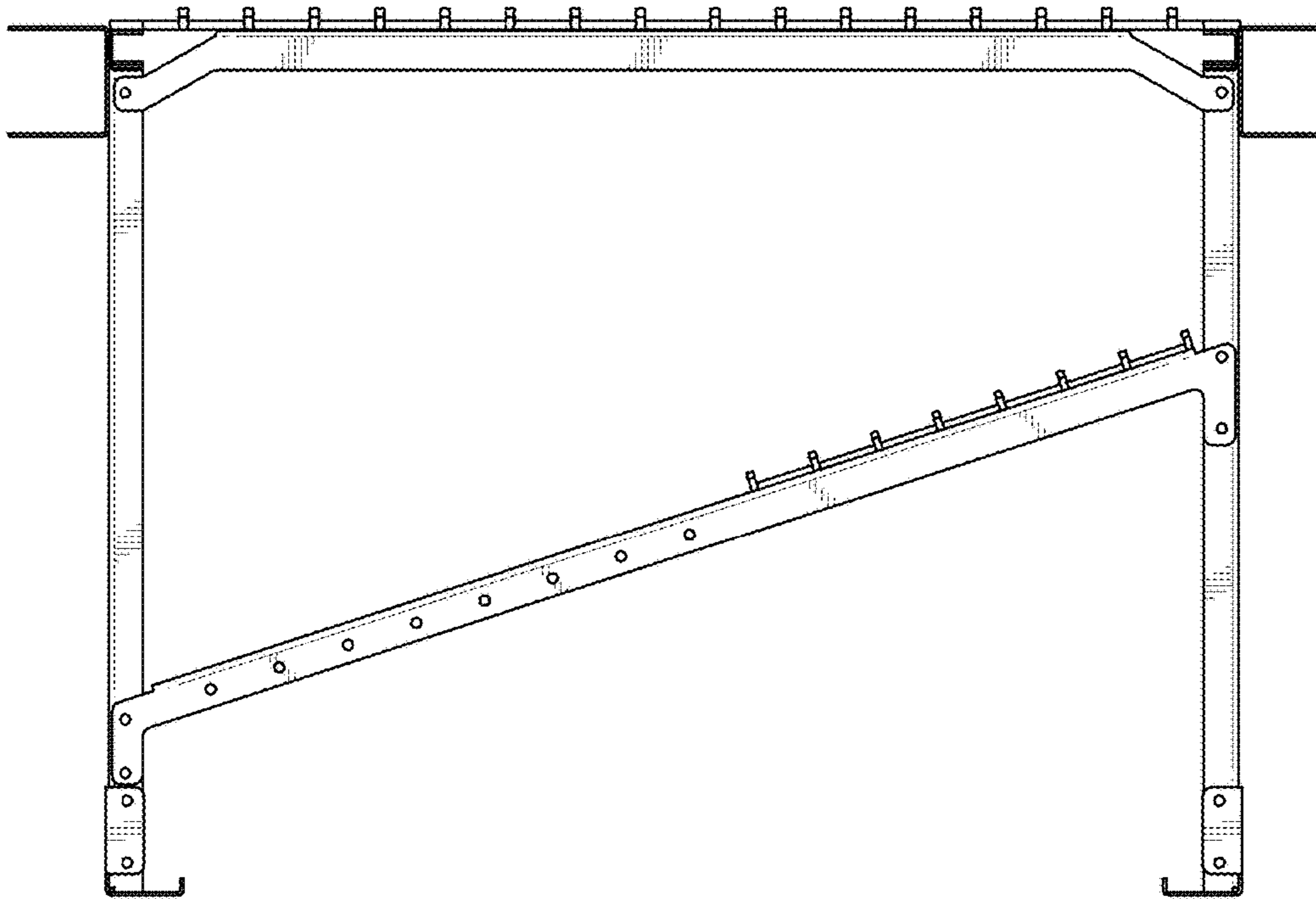


FIG. 2

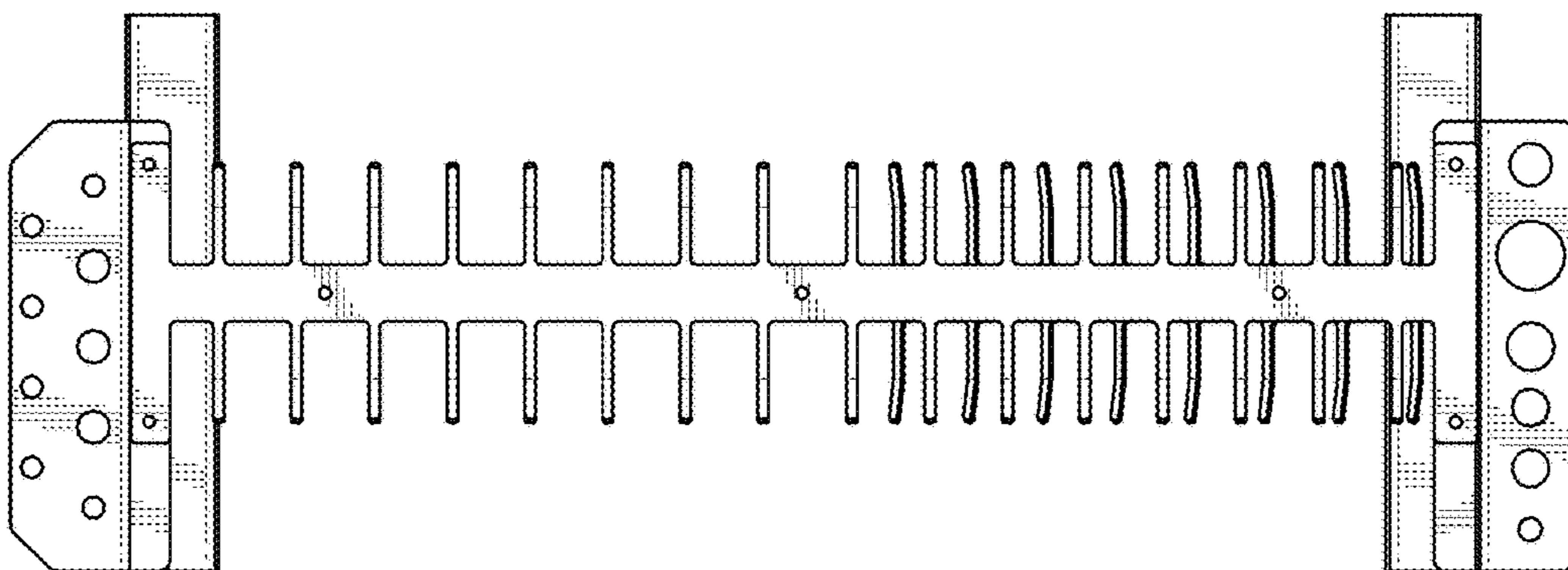


FIG. 3

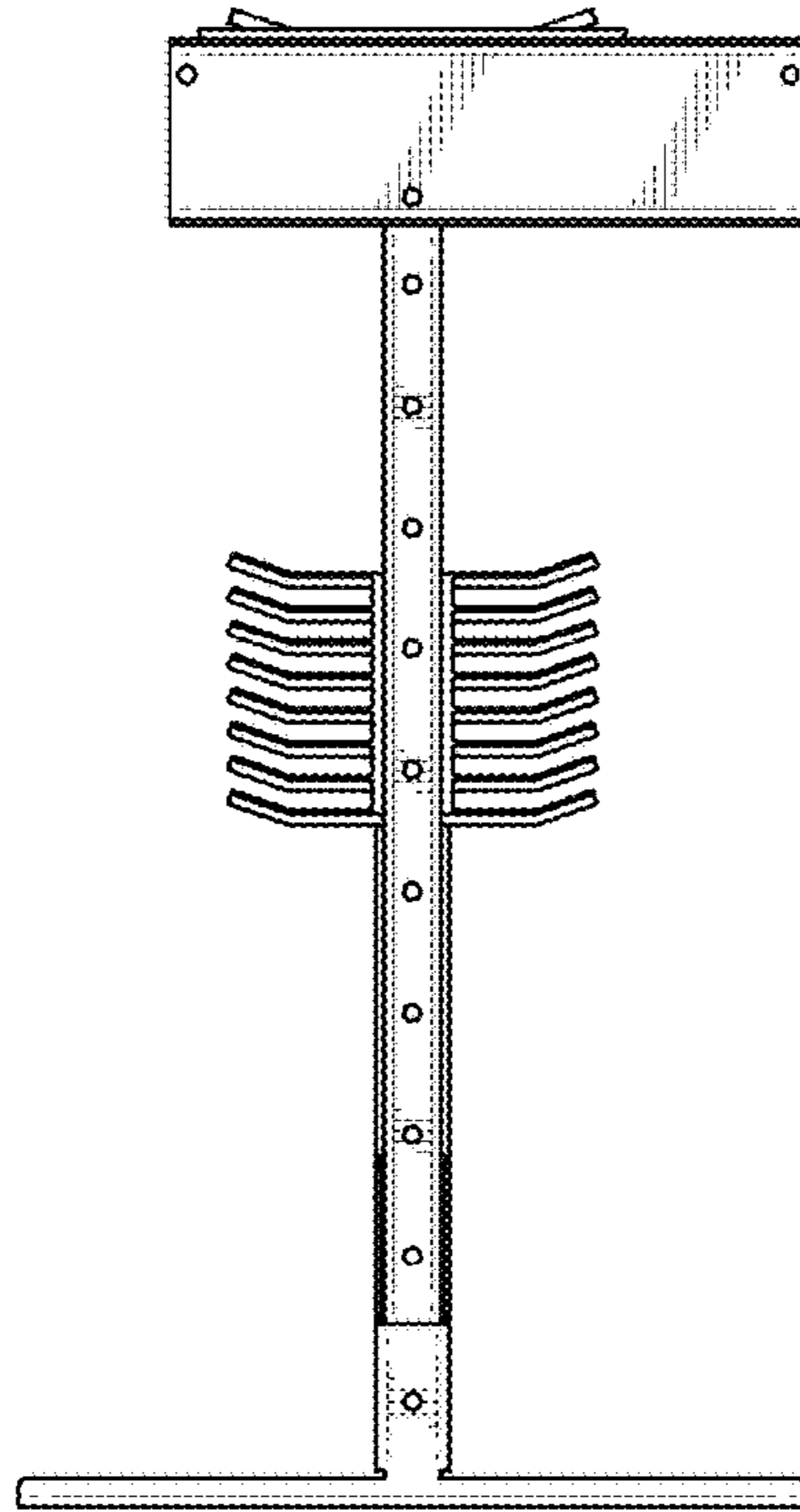


FIG. 4

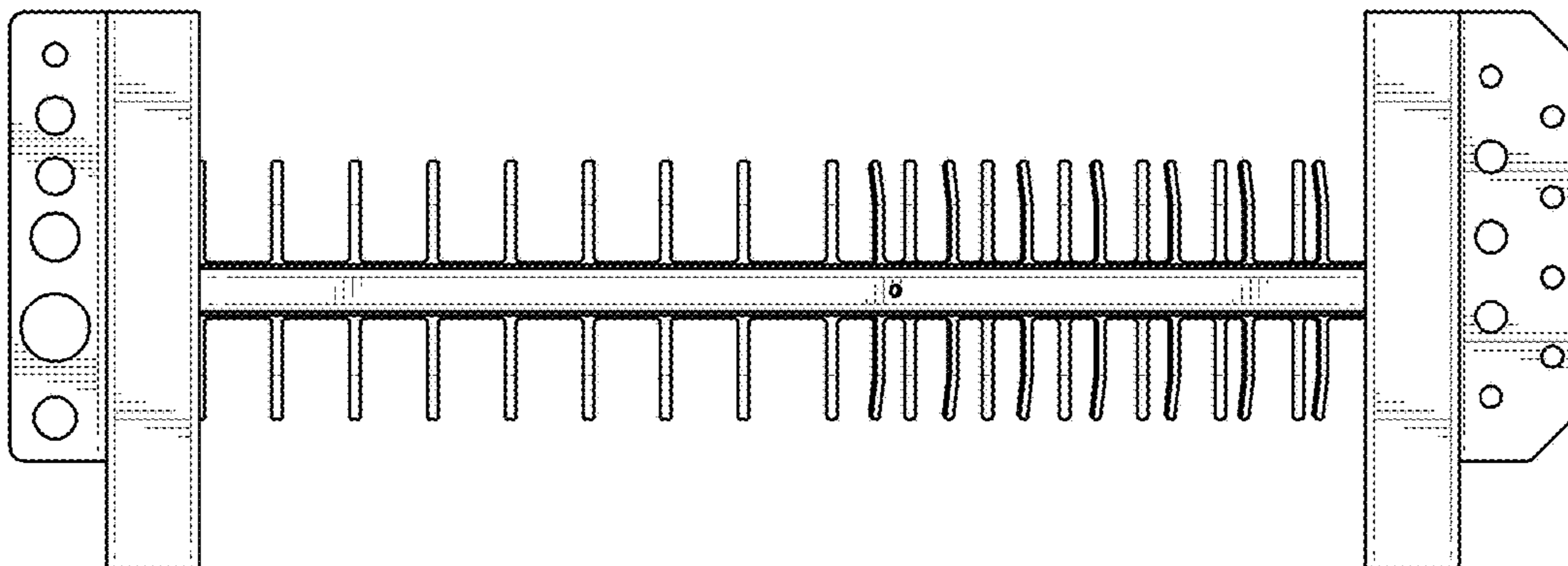


FIG. 5

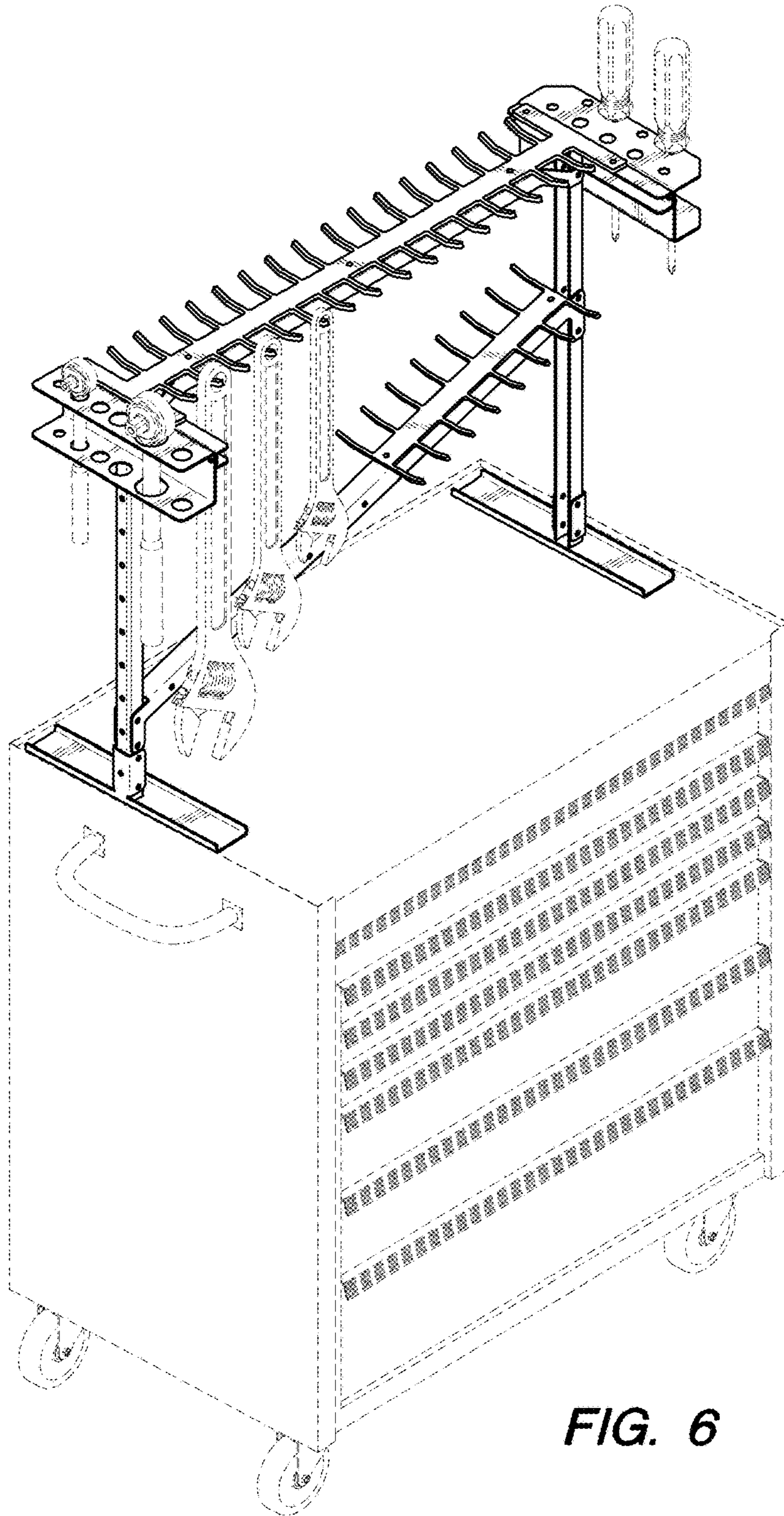


FIG. 6