



US00D828738S

(12) **United States Design Patent**
Constantine

(10) **Patent No.:** **US D828,738 S**

(45) **Date of Patent:** **** Sep. 18, 2018**

(54) **PLIERS**

(71) Applicant: **ACME UNITED CORPORATION,**
Fairfield, CT (US)

(72) Inventor: **Richard S. Constantine,** Monroe, CT
(US)

(73) Assignee: **ACME UNITED CORPORATION,**
Fairfield, CT (US)

(**) Term: **15 Years**

(21) Appl. No.: **29/624,099**

(22) Filed: **Oct. 30, 2017**

(51) **LOC (11) Cl.** **08-05**

(52) **U.S. Cl.**
USPC **D8/52**

(58) **Field of Classification Search**
USPC D8/4, 5, 51-58
CPC .. B25B 7/123; B25B 7/12; B25B 7/10; B25B
7/02; B25B 7/14; B25B 7/16; B25B 7/04
See application file for complete search history.

(56) **References Cited**

U.S. PATENT DOCUMENTS

D213,848 S * 4/1969 Hindenburg D8/56
D327,826 S * 7/1992 Neff D8/52

D486,716 S * 2/2004 Levine D8/107
7,451,673 B1 * 11/2008 Petersen B25B 7/08
81/305
D597,811 S * 8/2009 Yu D8/52
D653,093 S * 1/2012 Hedrick D8/52
D706,104 S * 6/2014 Mooney D8/54
D760,050 S * 6/2016 Liao D8/52
D768,451 S * 10/2016 Persson D8/52

* cited by examiner

Primary Examiner — Deanna L Pratt

(74) *Attorney, Agent, or Firm* — Bond Schoeneck &
King, PLLC; George McGuire

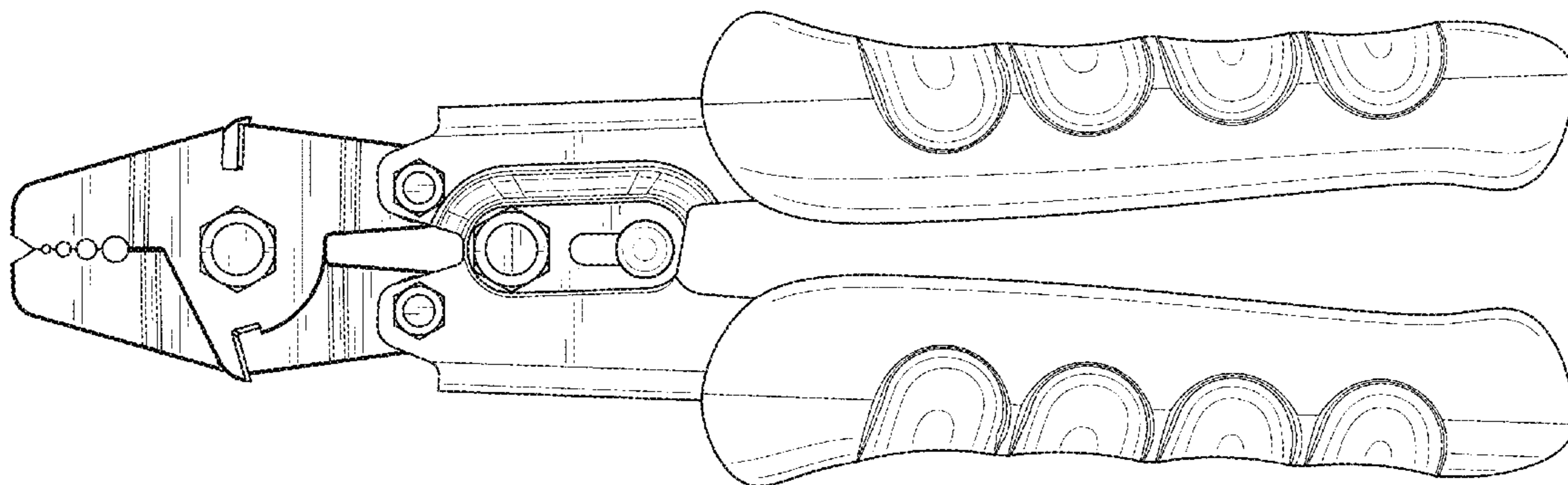
(57) **CLAIM**

The ornamental design for pliers, as shown and described.

DESCRIPTION

FIG. 1 is a first perspective view of a new and ornamental design for pliers;
FIG. 2 is a front elevation view thereof;
FIG. 3 is a rear elevation view thereof;
FIG. 4 is a top plan view thereof;
FIG. 5 is a bottom plan view thereof;
FIG. 6 is a first side elevation view thereof; and,
FIG. 7 is a second side elevation view thereof.

1 Claim, 5 Drawing Sheets



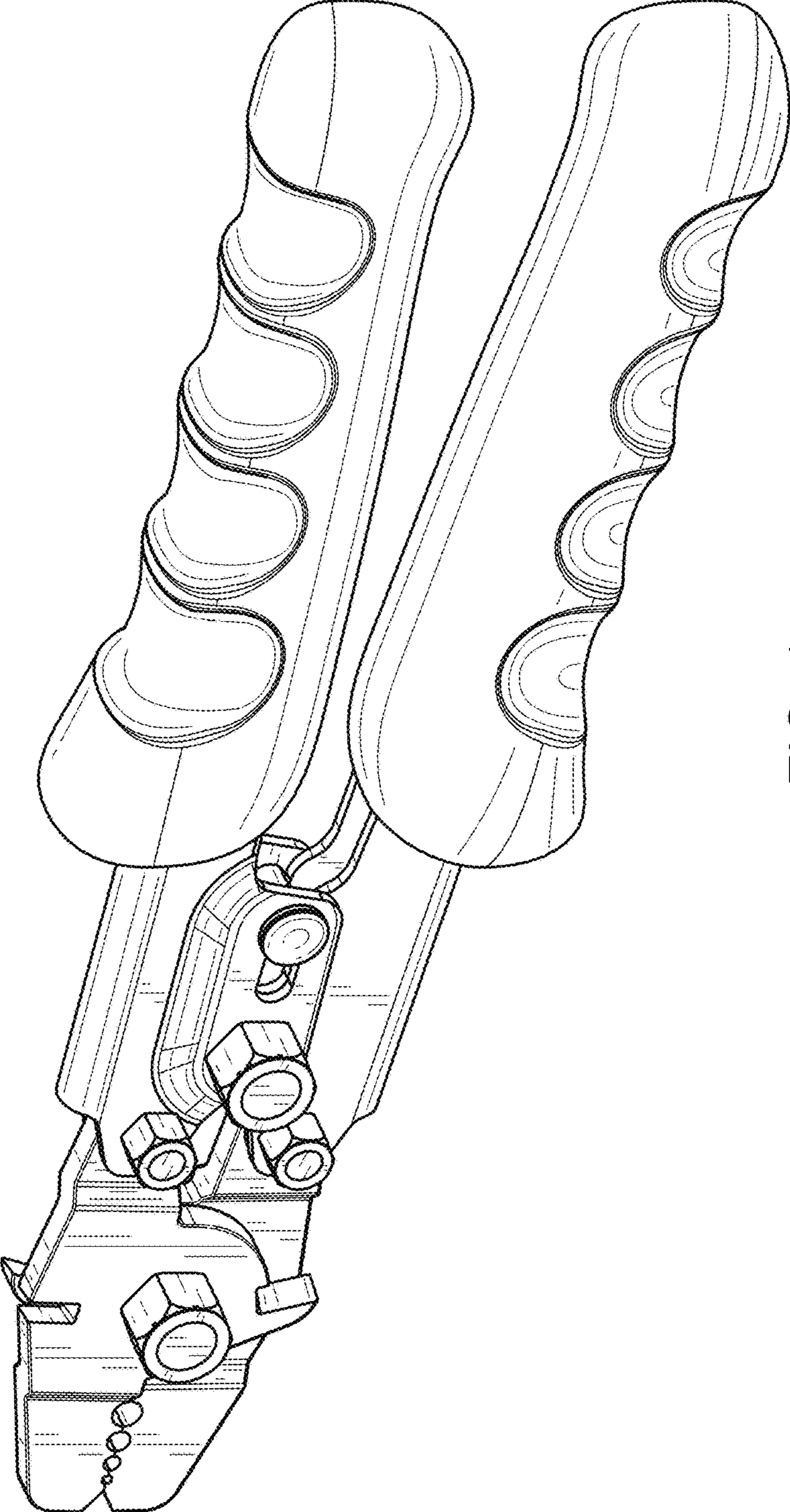


FIG. 1

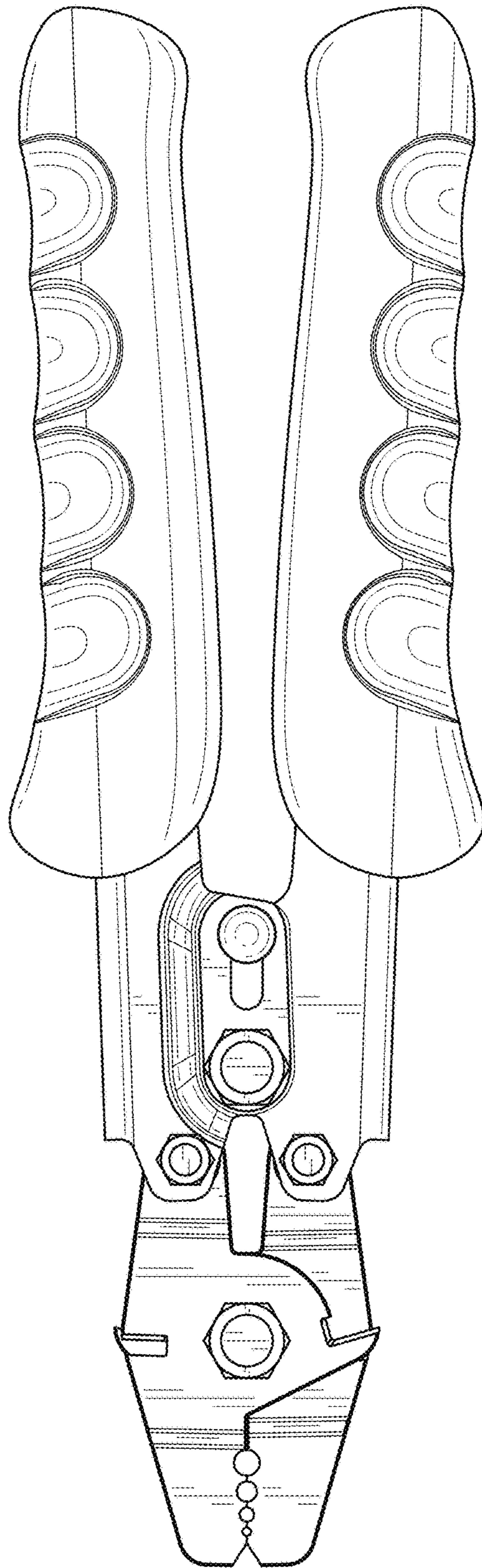


FIG. 2

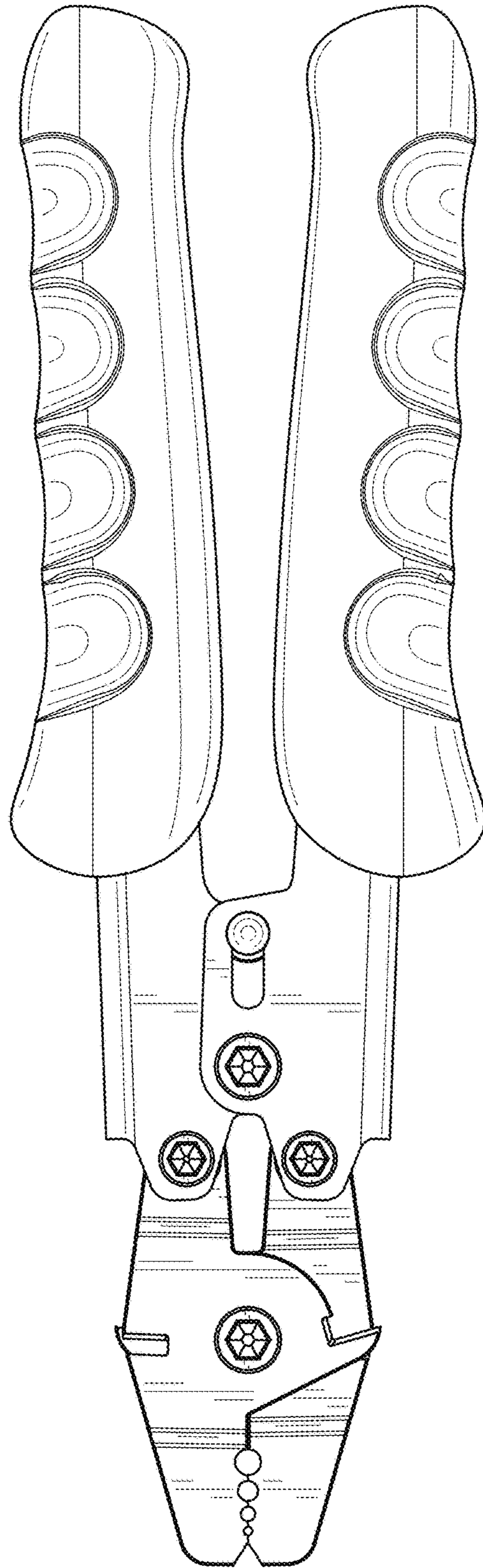


FIG. 3

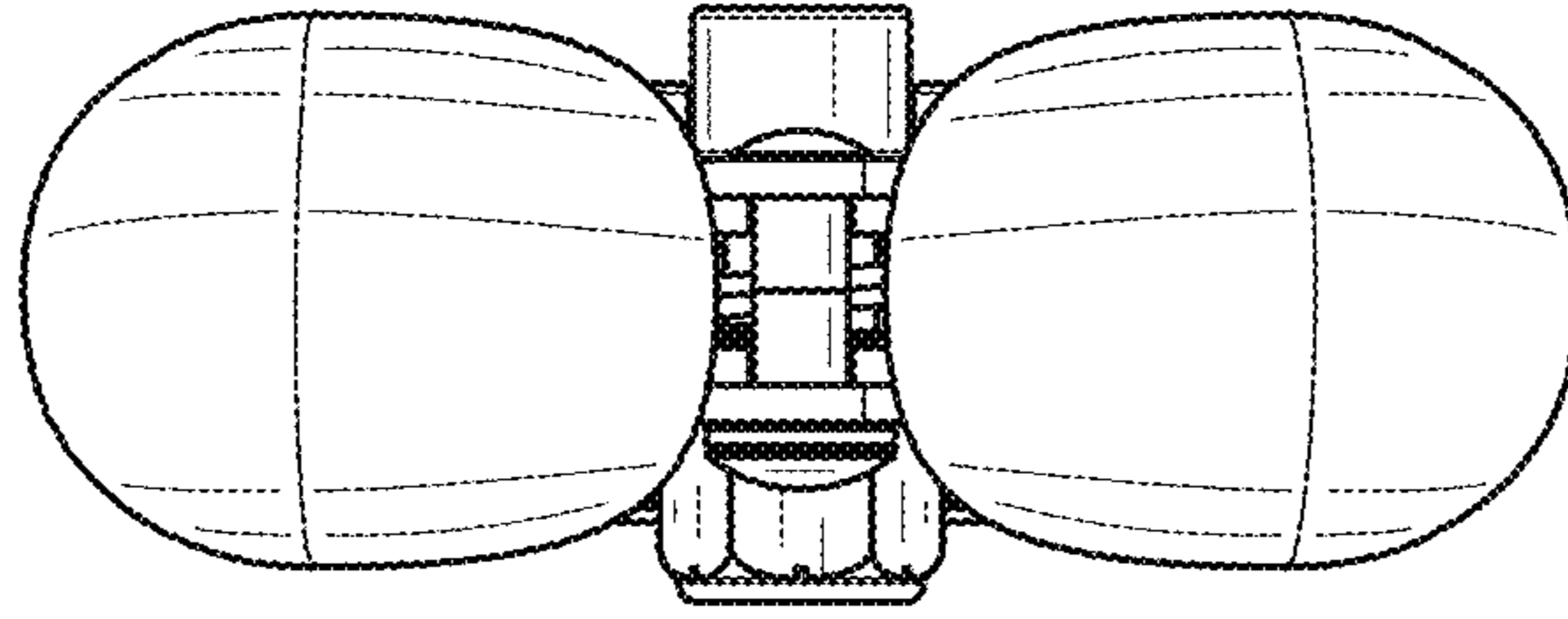


FIG. 5

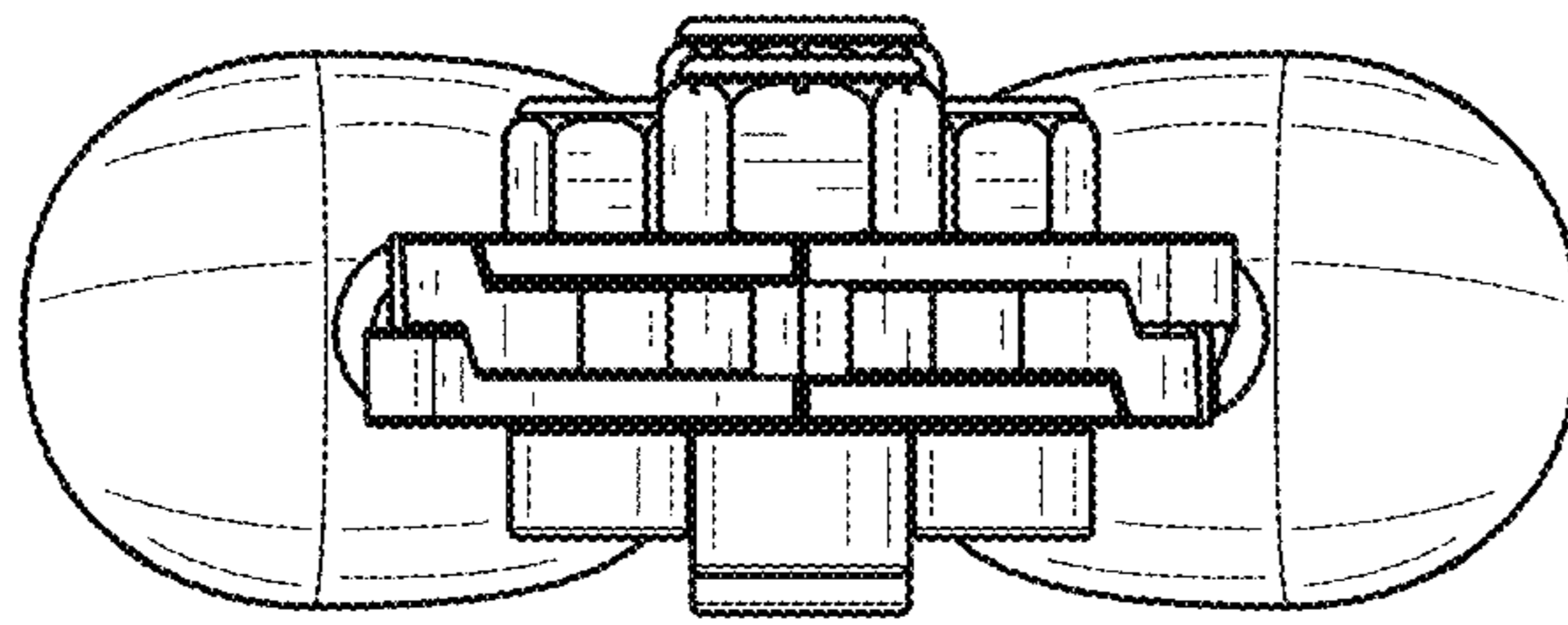


FIG. 4

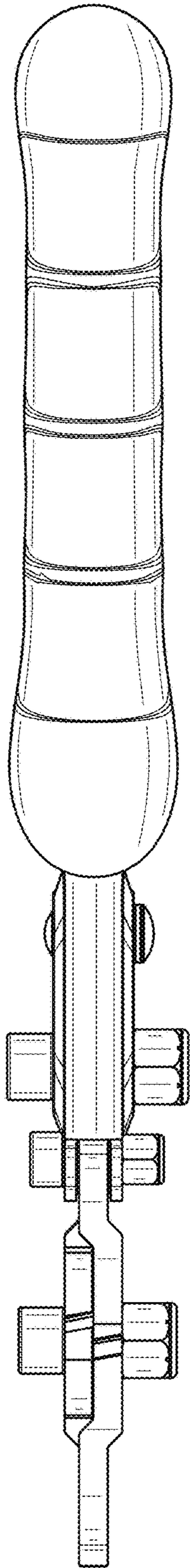


FIG. 6

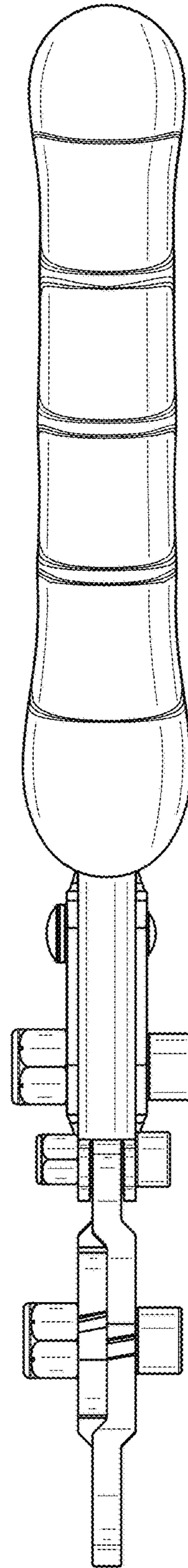


FIG. 7