



US00D828737S

(12) **United States Design Patent**
Constantine

(10) **Patent No.:** **US D828,737 S**

(45) **Date of Patent:** **** Sep. 18, 2018**

(54) **PLIERS**

(71) Applicant: **ACME UNITED CORPORATION**,
Fairfield, CT (US)

(72) Inventor: **Richard S. Constantine**, Monroe, CT
(US)

(73) Assignee: **ACME UNITED CORPORATION**,
Fairfield, CT (US)

(**) Term: **15 Years**

(21) Appl. No.: **29/623,736**

(22) Filed: **Oct. 26, 2017**

(51) **LOC (11) Cl.** **08-05**

(52) **U.S. Cl.**
USPC **D8/52**

(58) **Field of Classification Search**
USPC D8/4, 5, 51-58
CPC .. B25B 7/123; B25B 7/12; B25B 7/10; B25B
7/02; B25B 7/14; B25B 7/16; B25B 7/04
See application file for complete search history.

(56) **References Cited**

U.S. PATENT DOCUMENTS

D177,537 S * 4/1956 Schinske D8/58
D352,436 S * 11/1994 Abel D8/52

D449,501 S * 10/2001 Lamond D8/52
D477,508 S * 7/2003 Brady D8/52
D486,716 S * 2/2004 Levine D8/107
D597,811 S * 8/2009 Yu D8/52
D680,398 S * 4/2013 Ritter D8/52
D706,104 S * 6/2014 Mooney D8/54
D722,851 S * 2/2015 Constantine D8/52
D767,958 S * 10/2016 Corbett D8/52
D801,771 S * 11/2017 Wu D8/52

* cited by examiner

Primary Examiner — Deanna L Pratt

(74) *Attorney, Agent, or Firm* — Bond Schoeneck &
King, PLLC; George McGuire

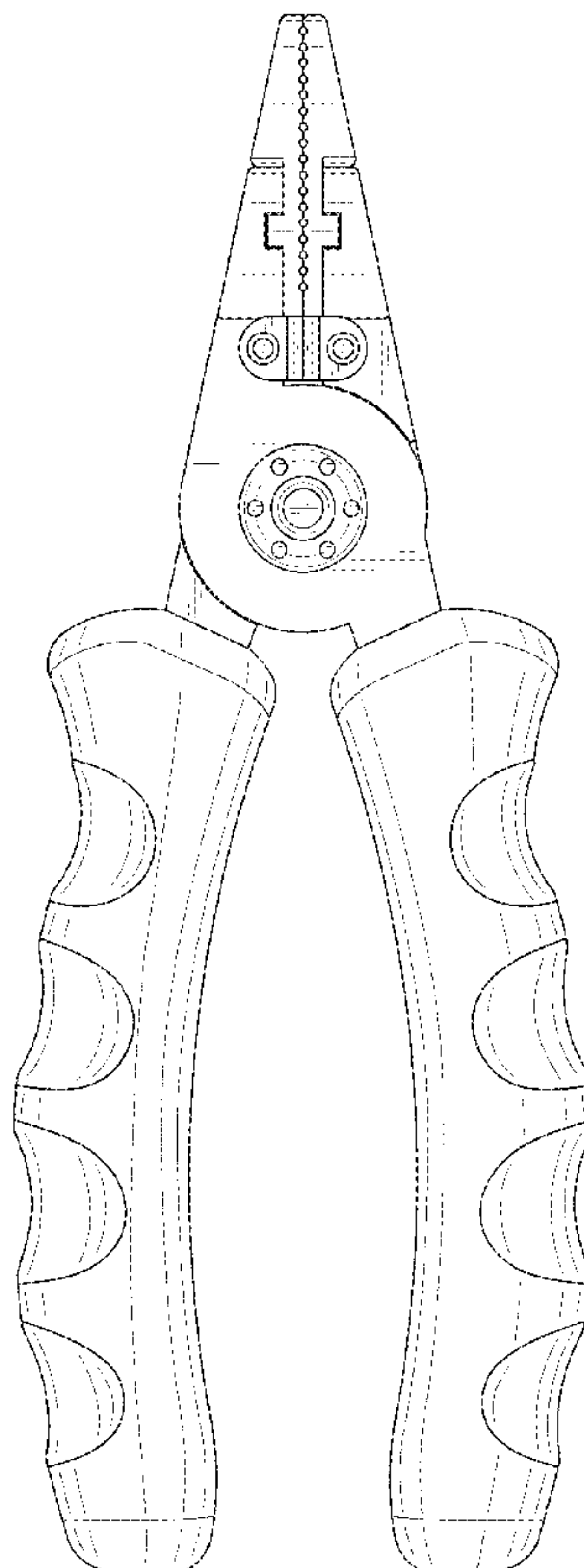
(57) **CLAIM**

The ornamental design for pliers, as shown and described.

DESCRIPTION

FIG. 1 is a perspective view of a new and ornamental design for pliers;
FIG. 2 is a front elevation view thereof;
FIG. 3 is a rear elevation view thereof;
FIG. 4 is a first side elevation view thereof;
FIG. 5 is a second side elevation view thereof;
FIG. 6 is a top plan view thereof; and,
FIG. 7 is a bottom plan view thereof.

1 Claim, 5 Drawing Sheets



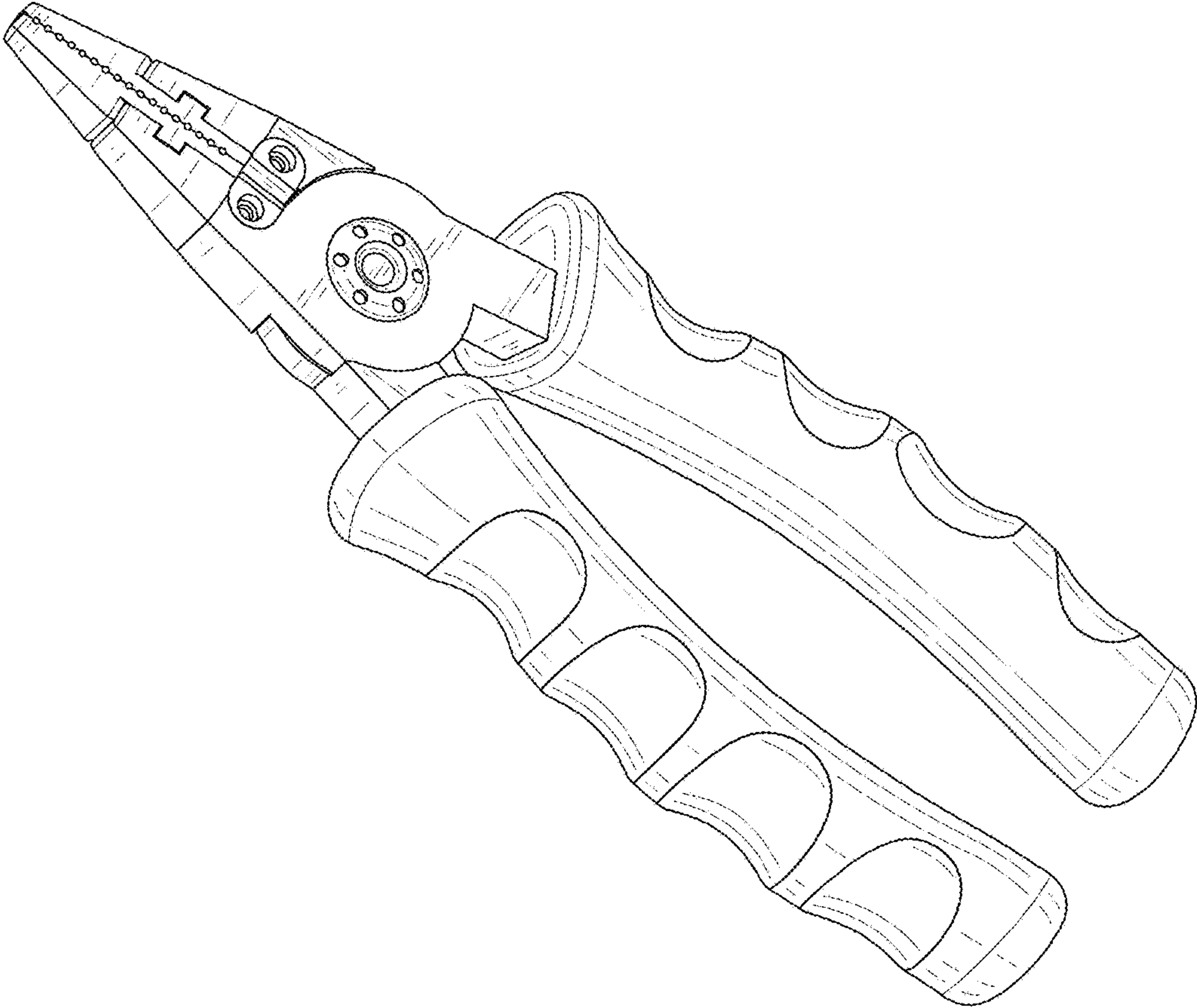


FIG. 1

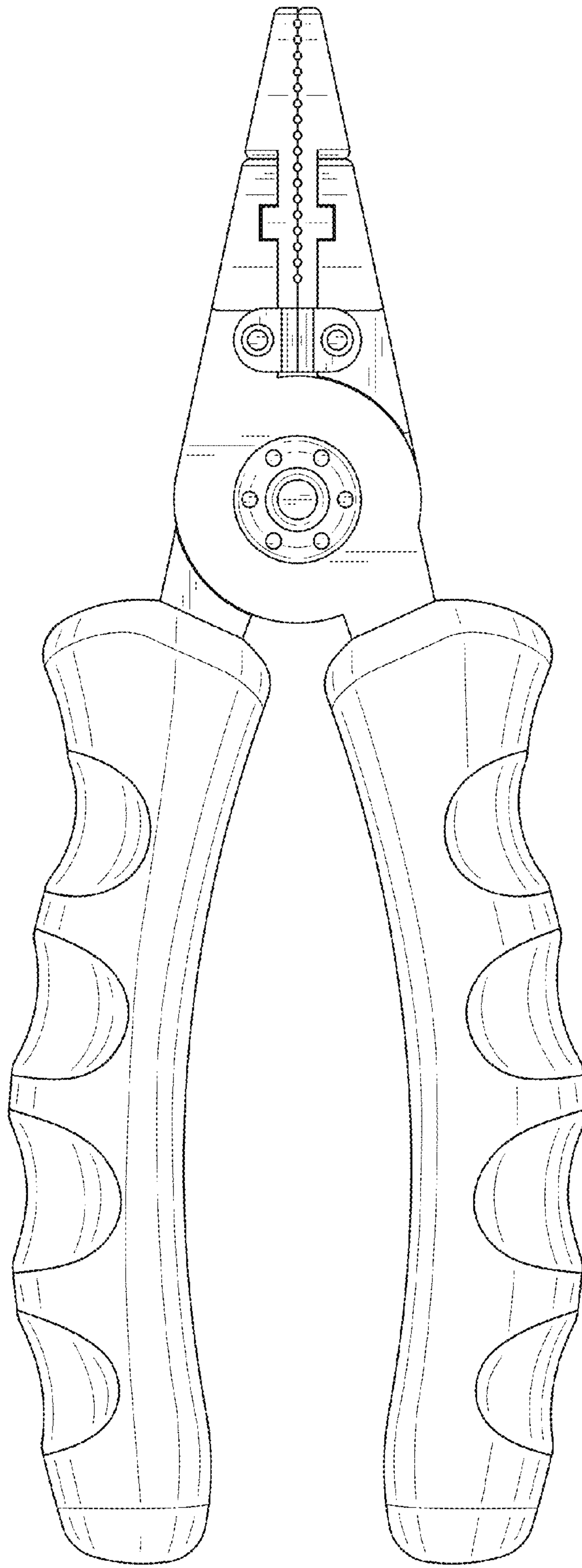


FIG. 2

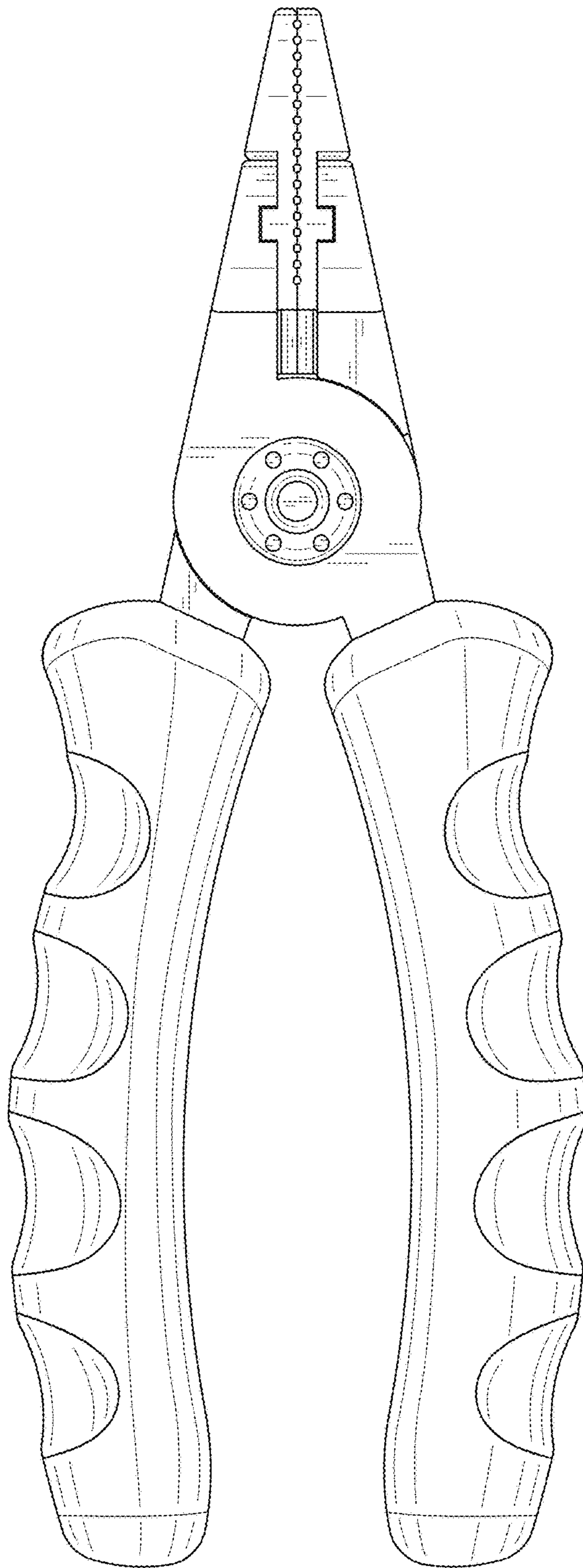


FIG. 3

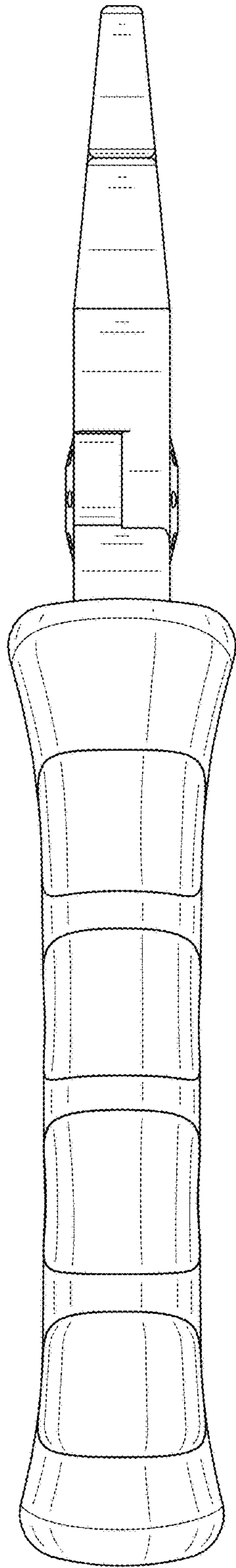


FIG. 4

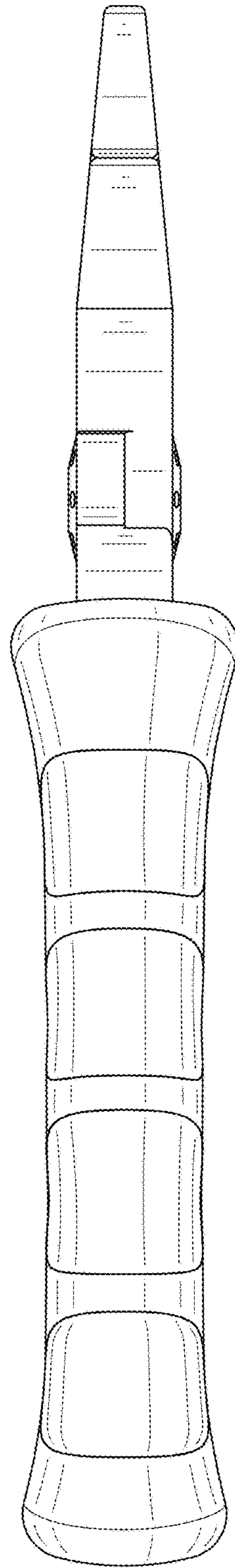


FIG. 5

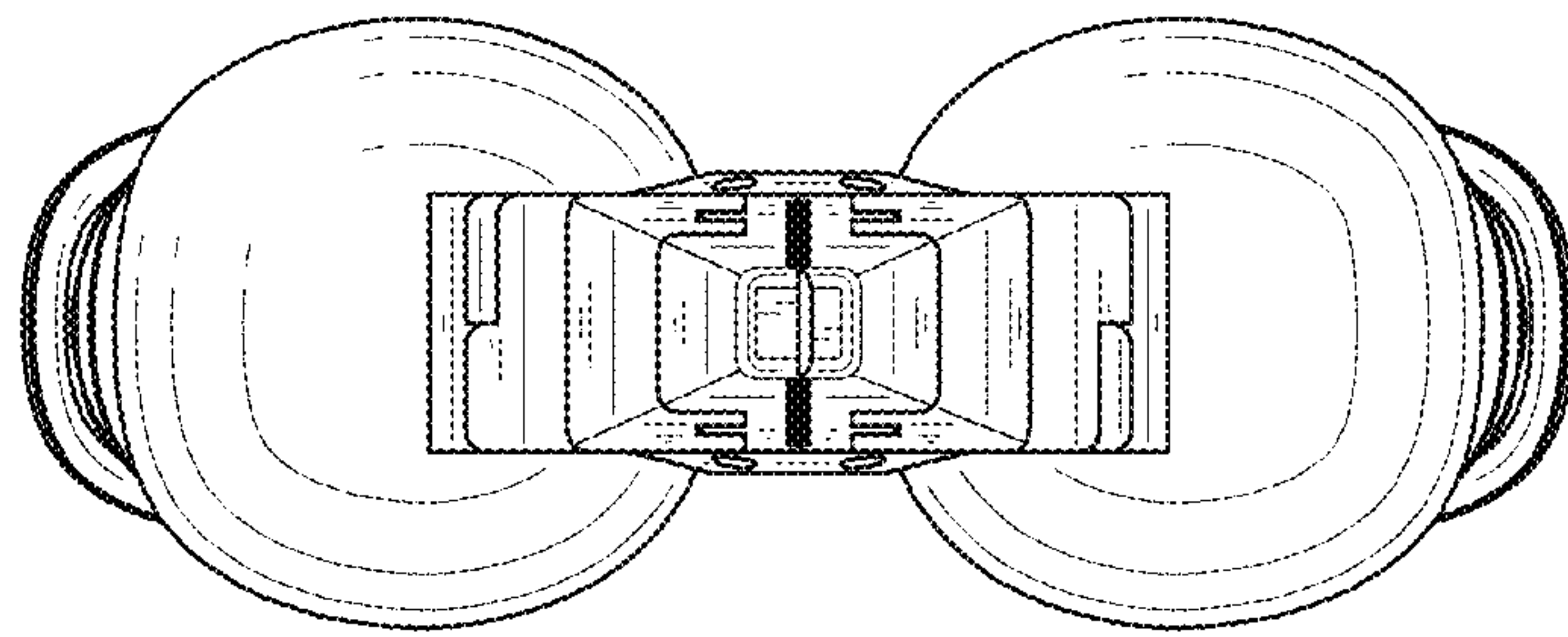


FIG. 6

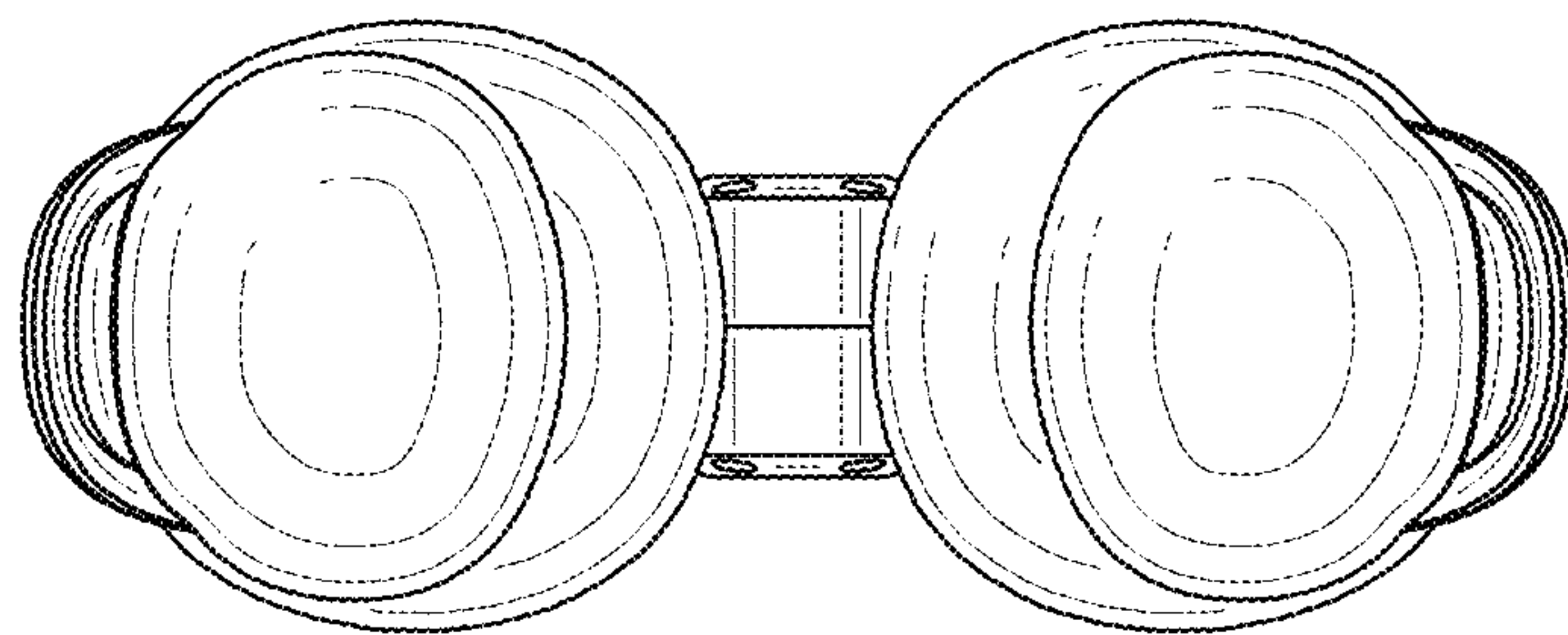


FIG. 7