



US00D828736S

(12) **United States Design Patent**
Irago

(10) **Patent No.:** **US D828,736 S**

(45) **Date of Patent:** **** Sep. 18, 2018**

(54) **STAPLER**

(71) Applicant: **MAX CO., LTD.**, Tokyo (JP)

(72) Inventor: **Tomohiro Irago**, Tokyo (JP)

(73) Assignee: **MAX CO., LTD.**, Tokyo (JP)

(**) Term: **15 Years**

(21) Appl. No.: **29/610,402**

(22) Filed: **Jul. 12, 2017**

(30) **Foreign Application Priority Data**

Jan. 13, 2017 (JP) 2017-000390

(51) **LOC (11) Cl.** **19-02**

(52) **U.S. Cl.**
USPC **D8/50**

(58) **Field of Classification Search**
USPC D8/48, 49, 50, 61, 68, 69, 70; D19/72,
D19/73, 65, 69; D21/532; D24/145;
7/158, 160; 227/4, 5, 6, 7, 8, 120, 127,
227/128, 131, 132, 134, 144, 156, 175.1;
606/139, 143, 153, 219
CPC B25C 5/0242; B25C 5/0285; B25C 5/11;
B27F 5/17; B26F 1/36
See application file for complete search history.

(56) **References Cited**

U.S. PATENT DOCUMENTS

D572,549 S * 7/2008 Sudmalis D8/50
D579,295 S * 10/2008 Cunningham D8/49

D589,314 S * 3/2009 Irago D8/50
D600,086 S * 9/2009 Marks D8/50
D617,164 S * 6/2010 Leung D8/50
D617,165 S * 6/2010 Leung D8/50
D622,571 S * 8/2010 Arleekul D8/50
D679,562 S * 4/2013 Smith D8/50
D724,915 S * 3/2015 Lin D8/50
D740,632 S * 10/2015 Monteleone D8/50
D785,424 S * 5/2017 Kapoor D8/50

* cited by examiner

Primary Examiner — Austin Murphy

(74) *Attorney, Agent, or Firm* — Drinker Biddle & Reath LLP

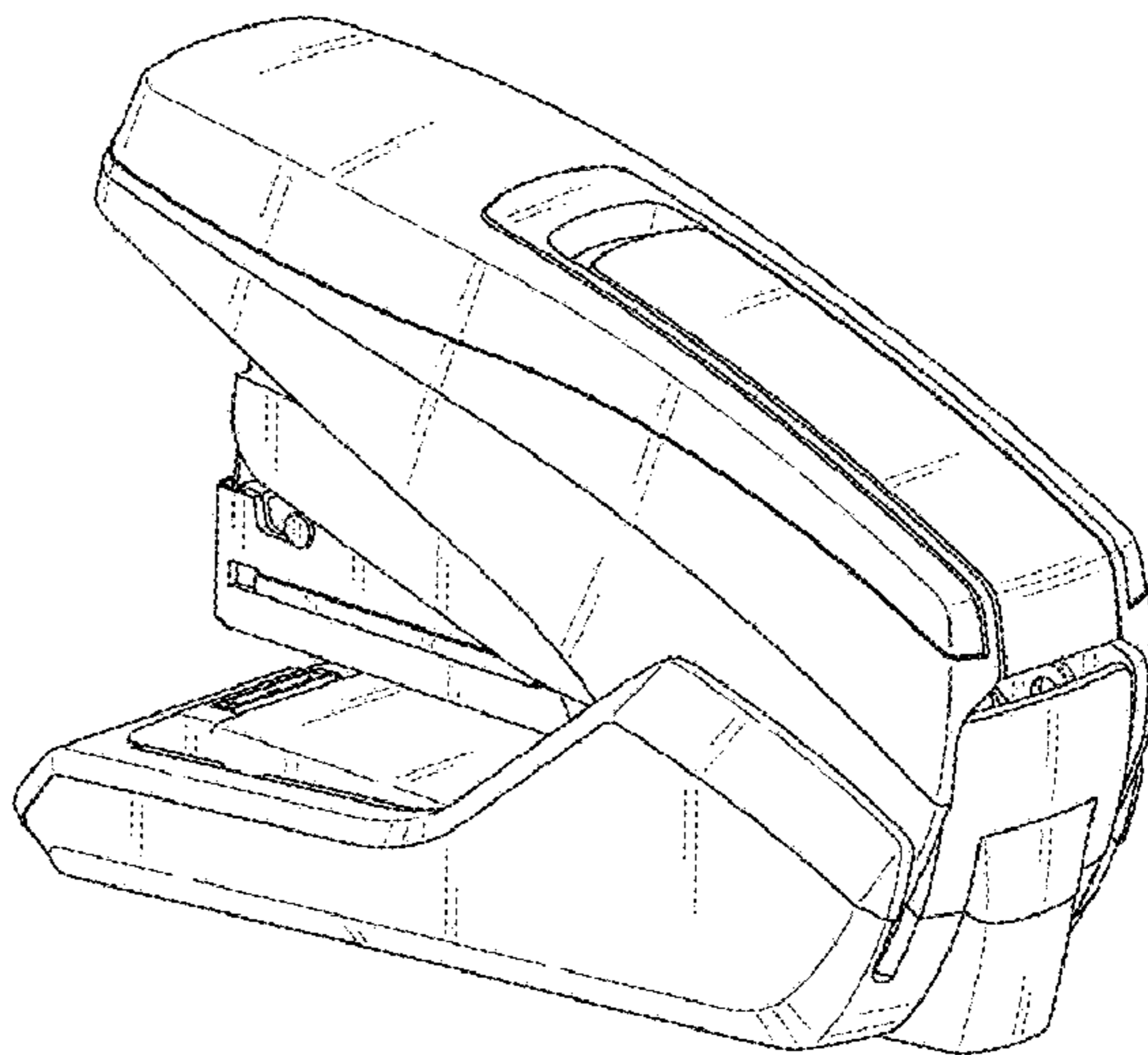
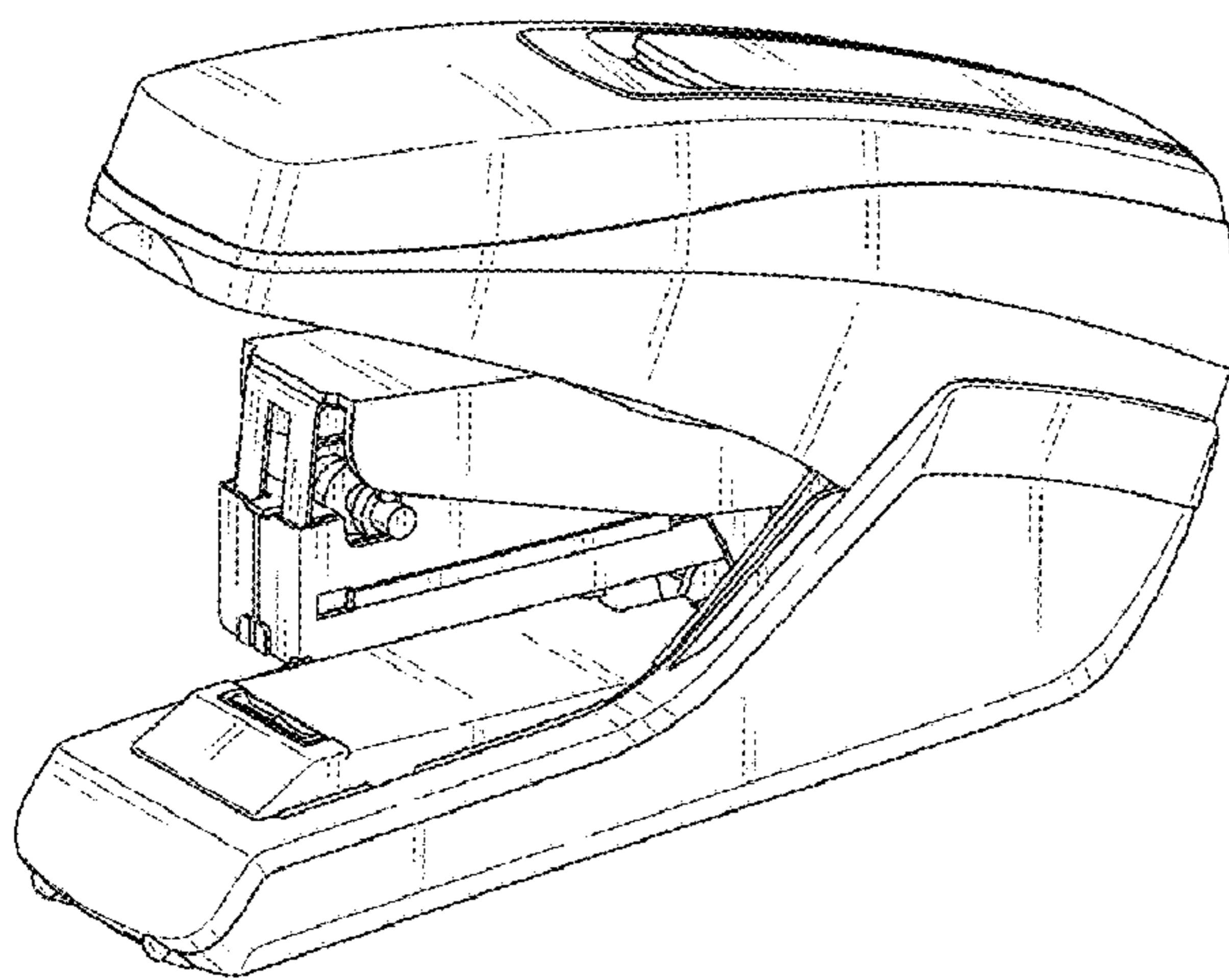
(57) **CLAIM**

The ornamental design for a stapler, as shown and described.

DESCRIPTION

FIG. 1 is a perspective view of front, top and left side view of a stapler showing my new design;
FIG. 2 is a perspective view of rear, top and right side view thereof;
FIG. 3 is a front view thereof;
FIG. 4 is a rear view thereof;
FIG. 5 is a left side view thereof;
FIG. 6 is a right side view thereof;
FIG. 7 is a top view thereof;
FIG. 8 is a bottom view thereof; and,
FIG. 9 is a perspective view showing a state that a staple-housing portion is open.
The broken line showing of a stapler is for the purpose of illustrating portion of the stapler and forms no part of the claimed design.

1 Claim, 5 Drawing Sheets



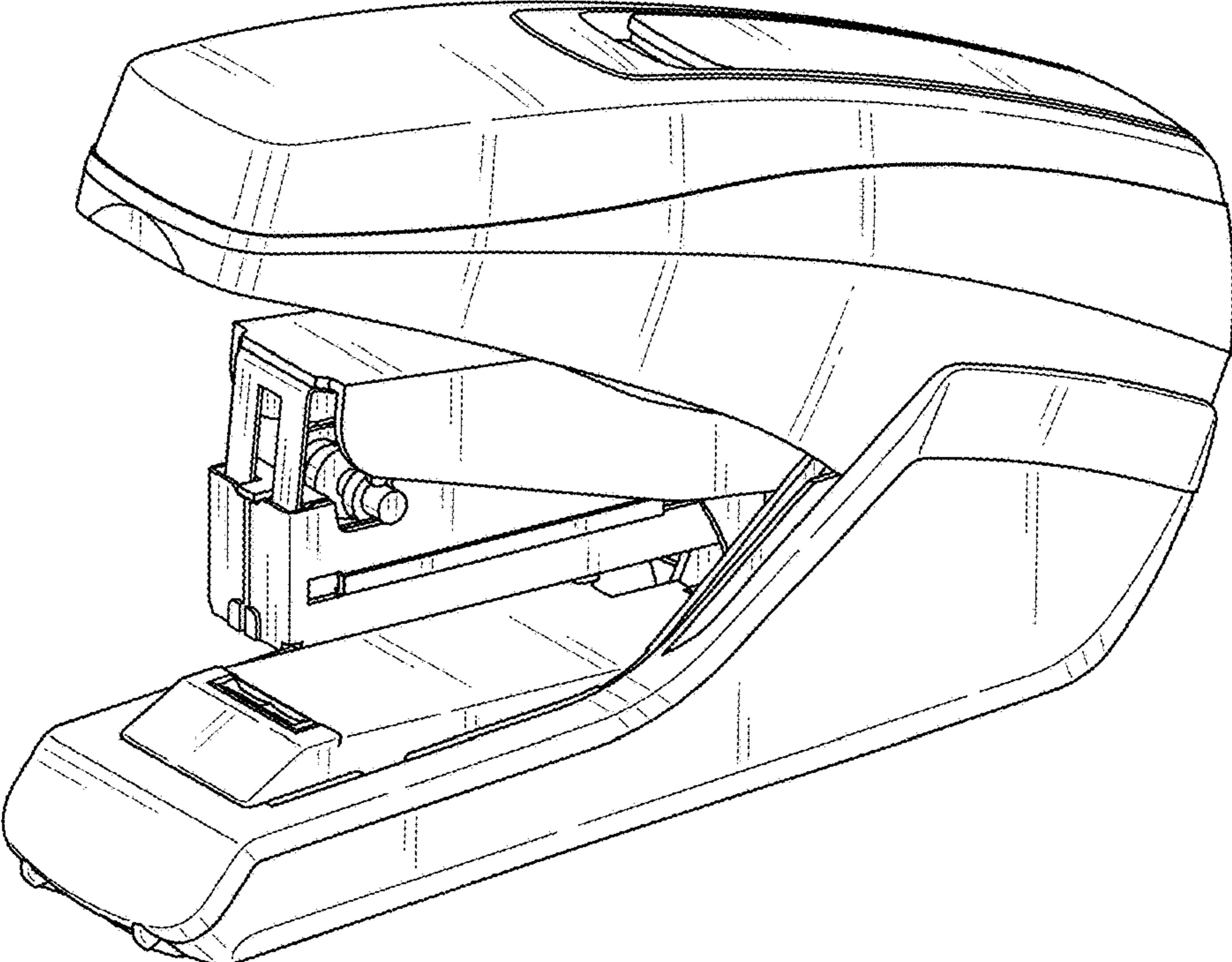


FIG. 1

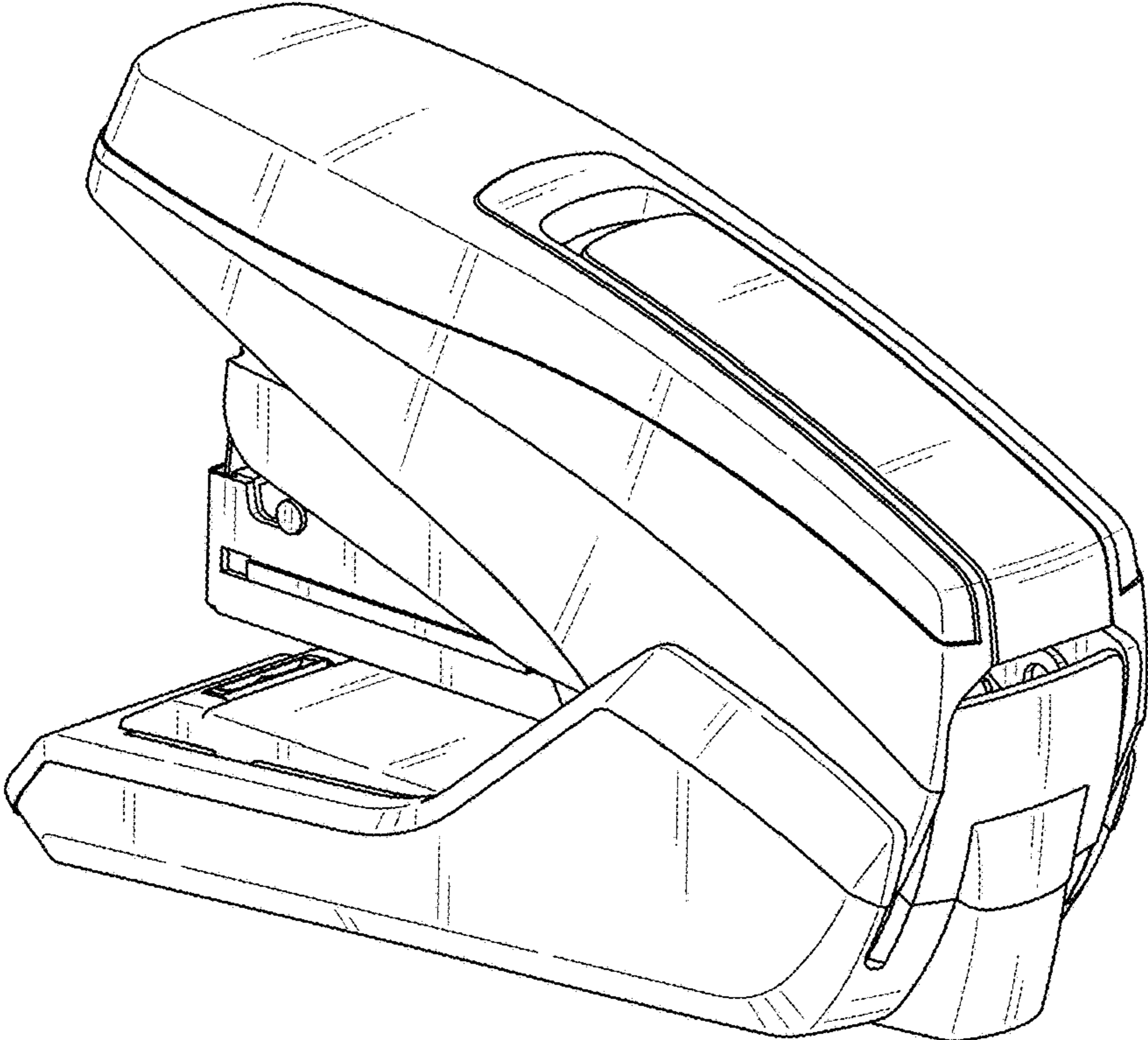


FIG. 2

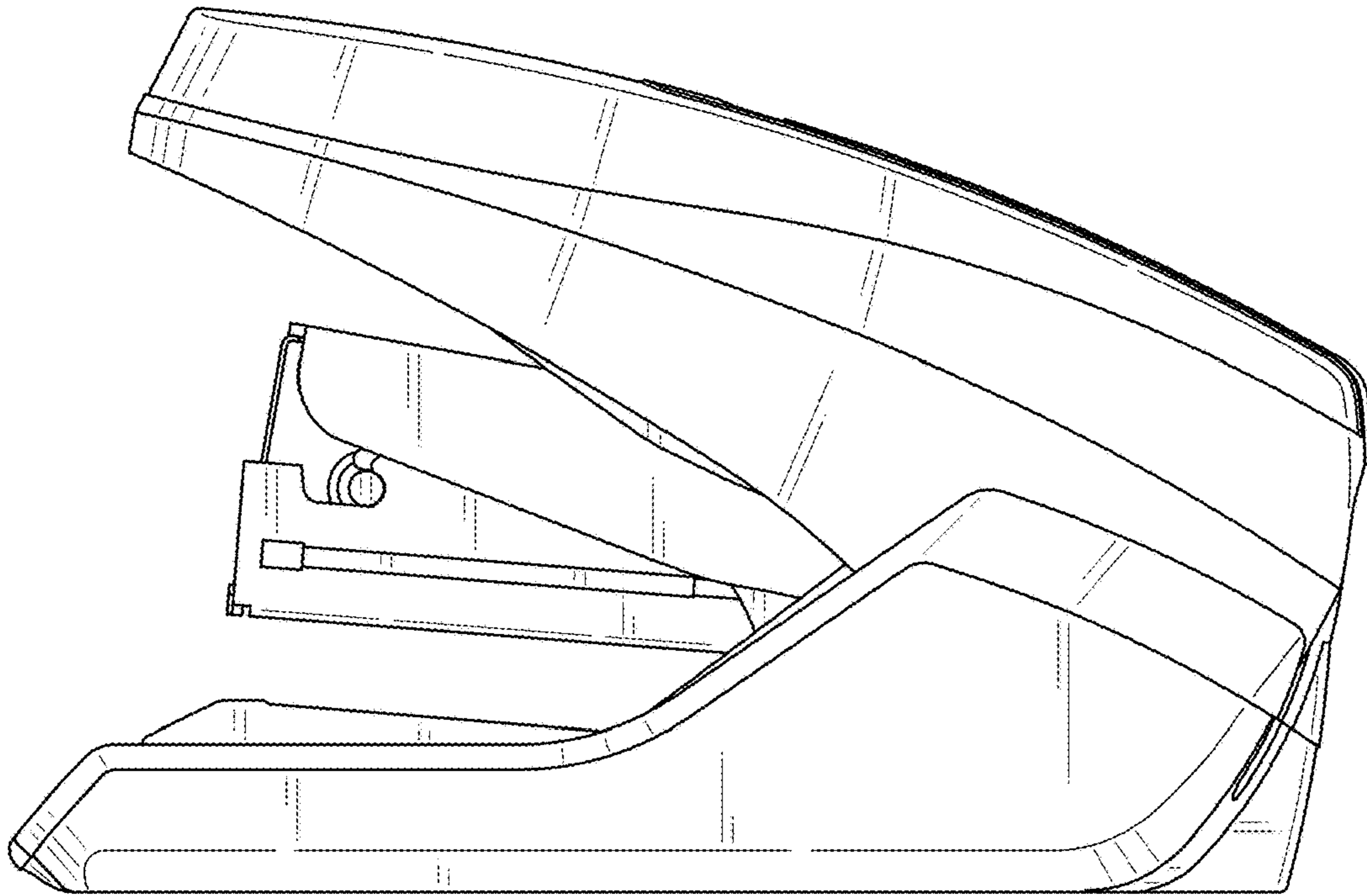


FIG. 3

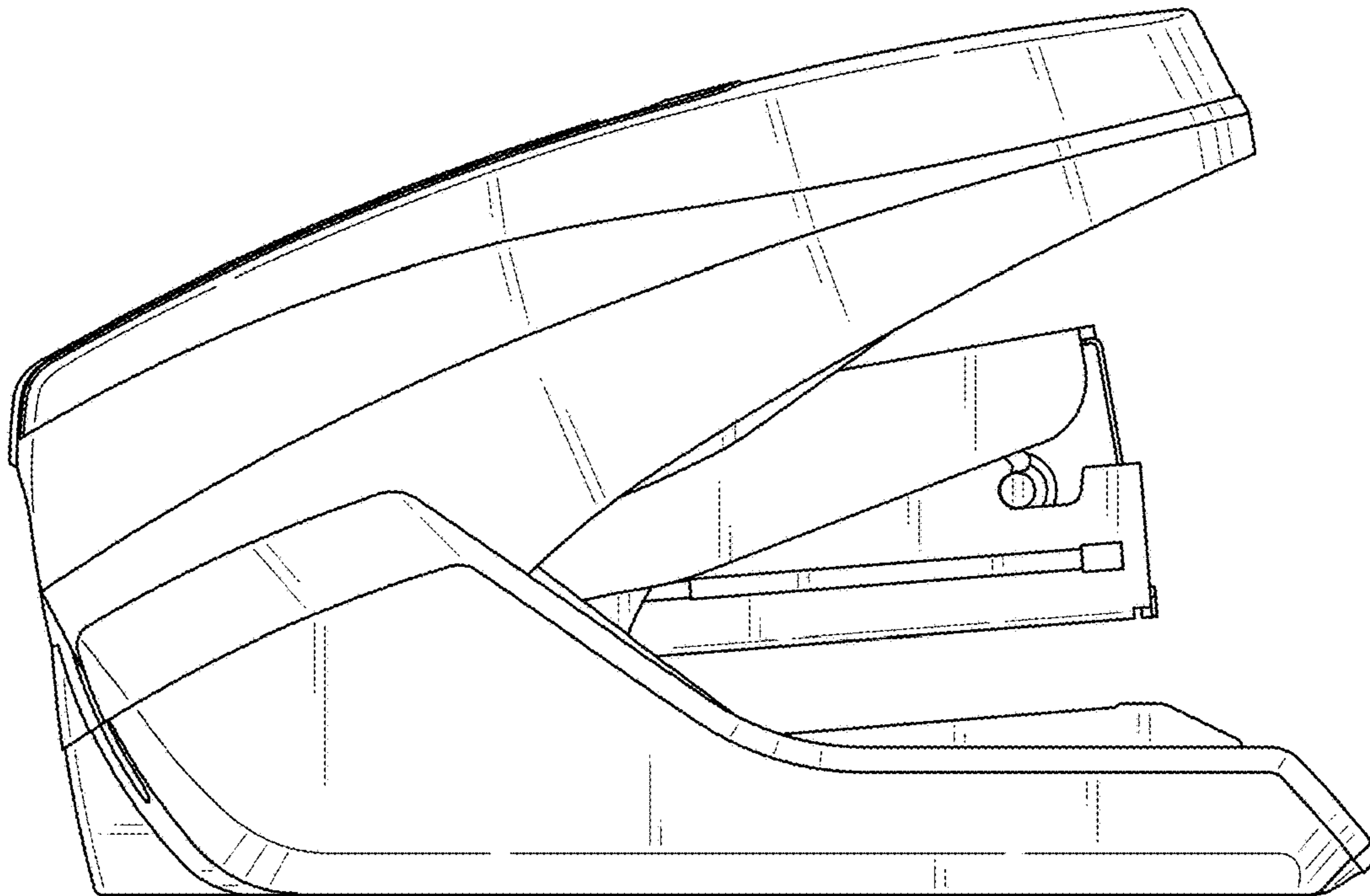


FIG. 4

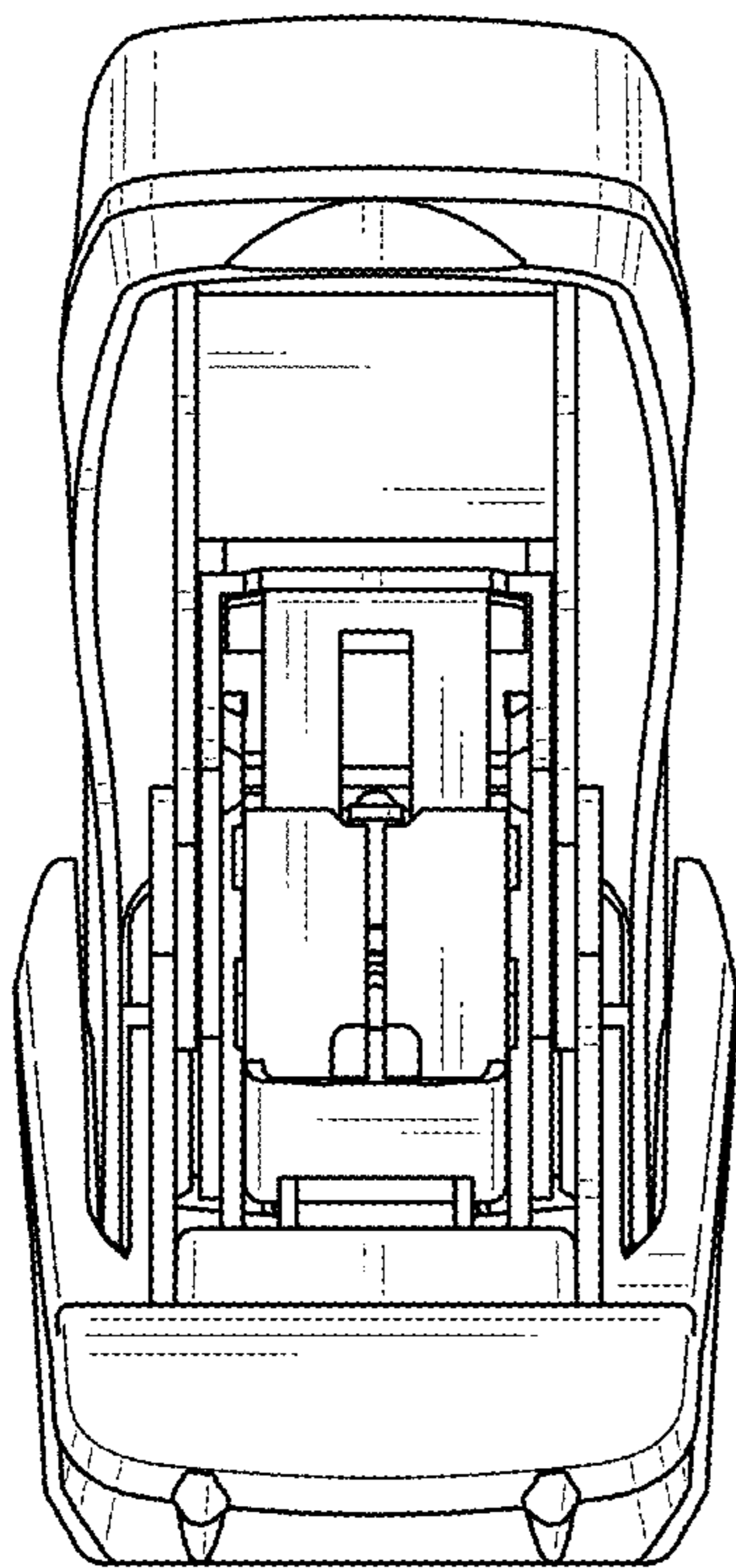


FIG. 5

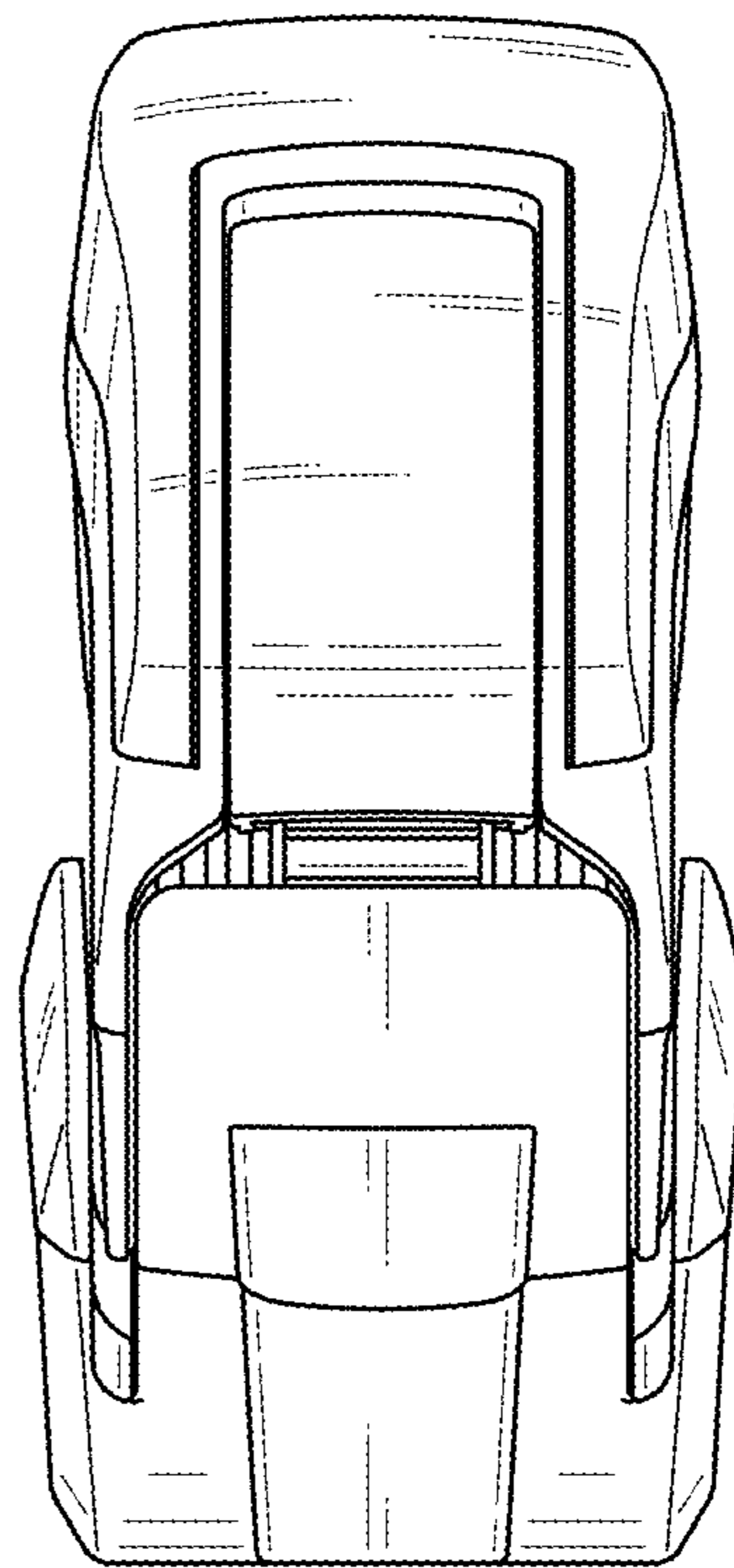


FIG. 6

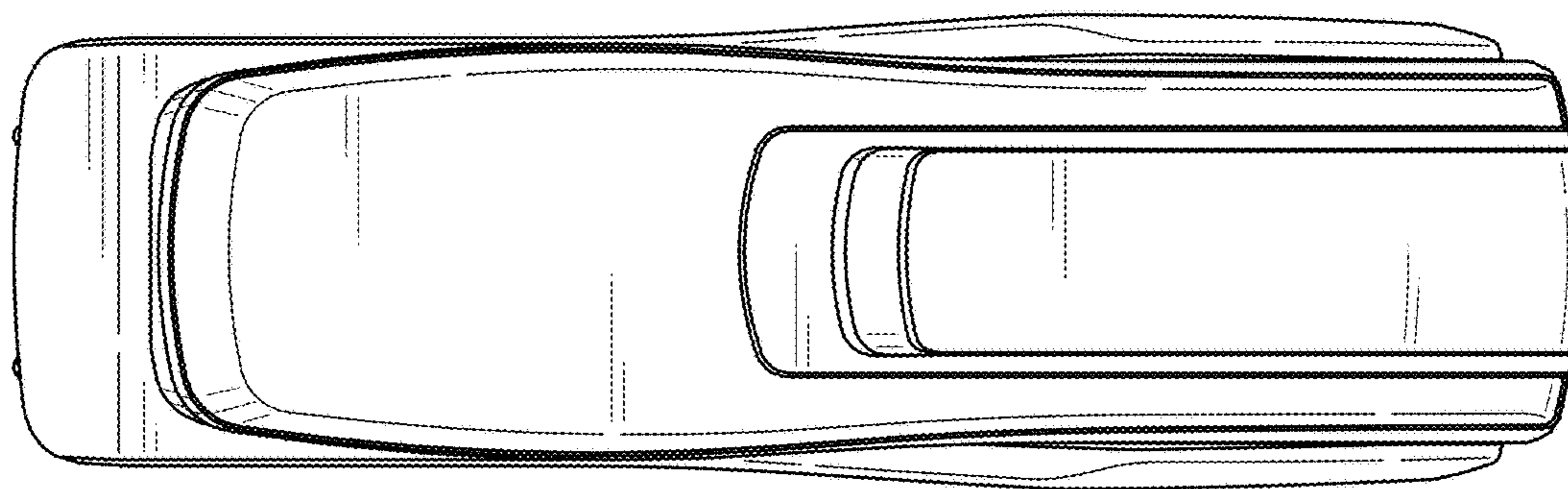


FIG. 7

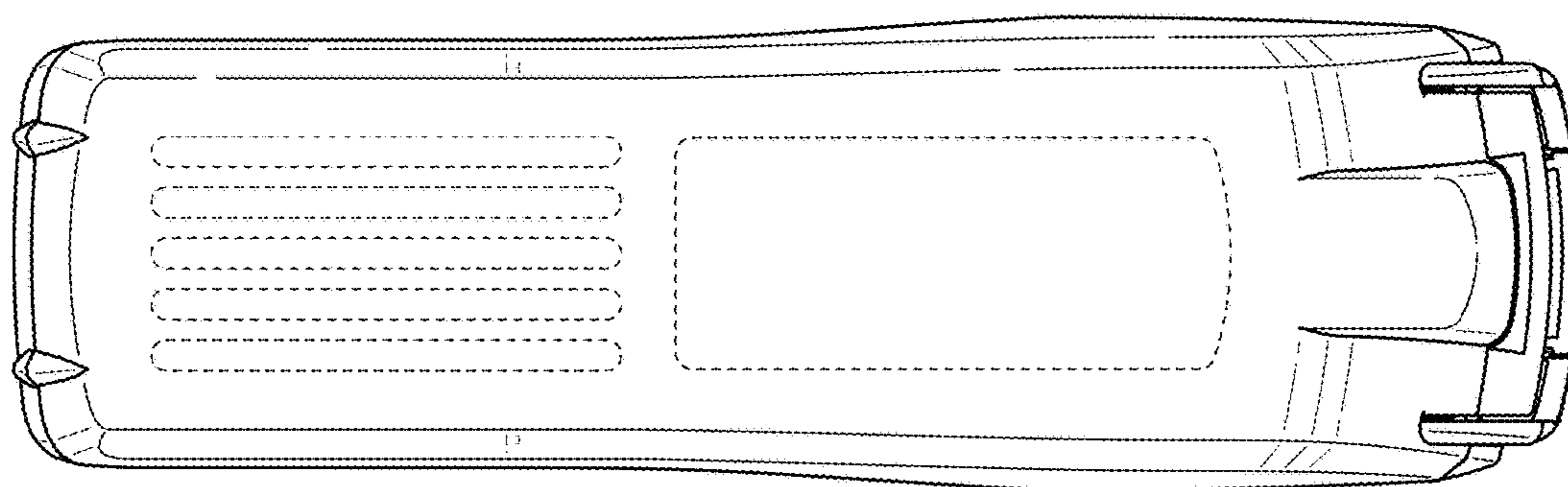


FIG. 8

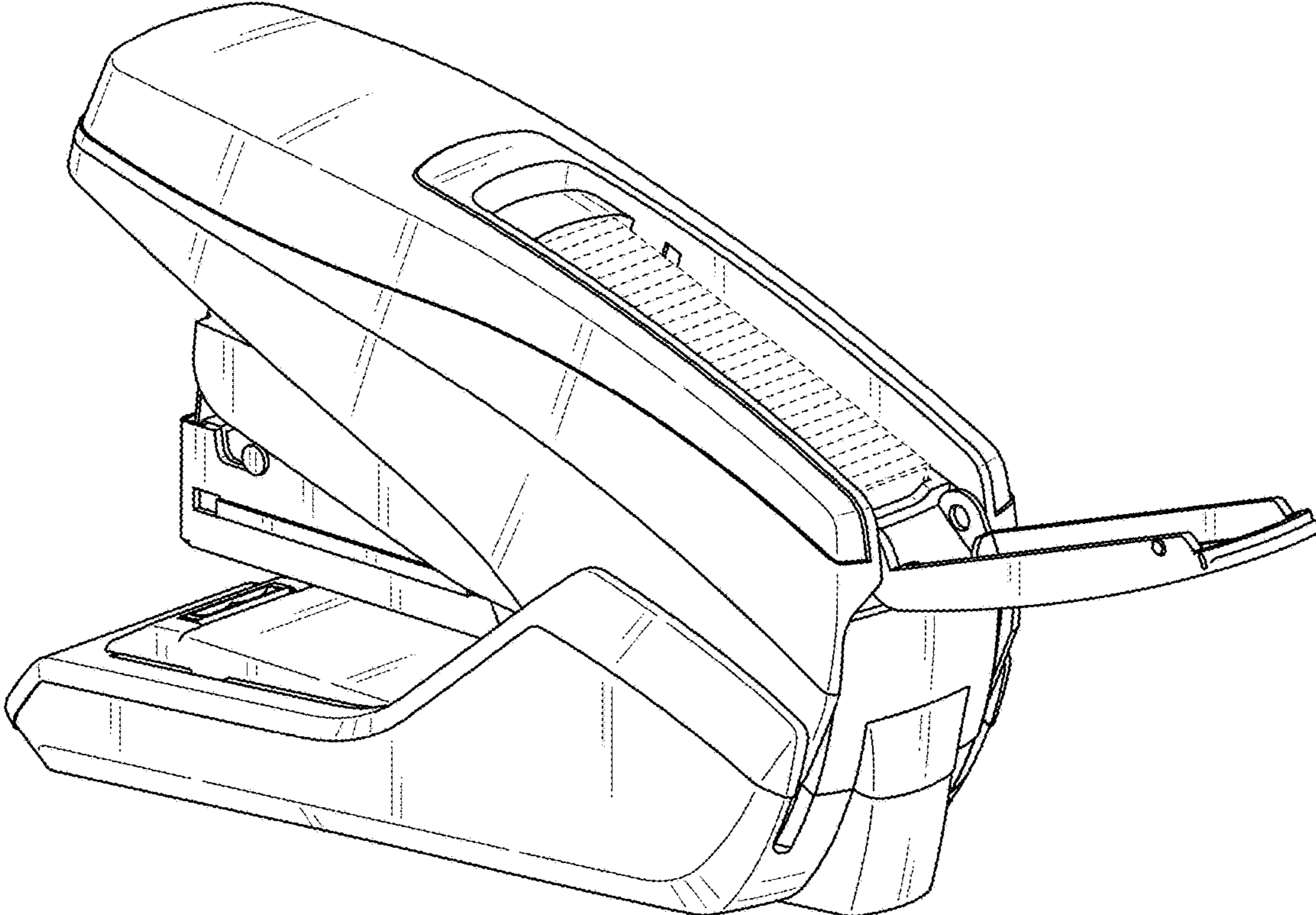


FIG. 9