



US00D828734S

(12) **United States Design Patent**
Bunch et al.

(10) **Patent No.:** **US D828,734 S**
(45) **Date of Patent:** **** Sep. 18, 2018**

(54) **WEDGE FOR A TILE INSTALLATION DEVICE**

D760,566 S * 7/2016 Biec D8/47
9,487,959 B2 11/2016 Bunch et al.
9,534,403 B2 * 1/2017 Biec E04F 21/0092

(Continued)

(71) Applicants: **Clinton D. Bunch**, Sunnyvale, TX (US); **Joshua A. Bunch**, North Richland Hills, TX (US)

FOREIGN PATENT DOCUMENTS

(72) Inventors: **Clinton D. Bunch**, Sunnyvale, TX (US); **Joshua A. Bunch**, North Richland Hills, TX (US)

AU 2012101175 8/2012

OTHER PUBLICATIONS

(**) Term: **15 Years**

Pearl Abrasive Co., Tuscan Leveling System, www.pearlabrasive.com.

(Continued)

(21) Appl. No.: **29/593,720**

(22) Filed: **Feb. 11, 2017**

Primary Examiner — Philip S Hyder

(51) **LOC (11) Cl.** **08-05**

(74) *Attorney, Agent, or Firm* — Scott T. Griggs; Griggs Bergen LLP

(52) **U.S. Cl.**

USPC **D8/47**

(58) **Field of Classification Search**

USPC D8/14, 47, 71; 52/747.11
CPC . E04F 21/00; E04F 21/18; E04F 21/22; E04F 21/1877; E04F 21/844; E04F 13/0092; E04F 13/0892

(57) **CLAIM**

The ornamental design for a wedge for a tile installation device, as shown and described.

See application file for complete search history.

DESCRIPTION

(56) **References Cited**

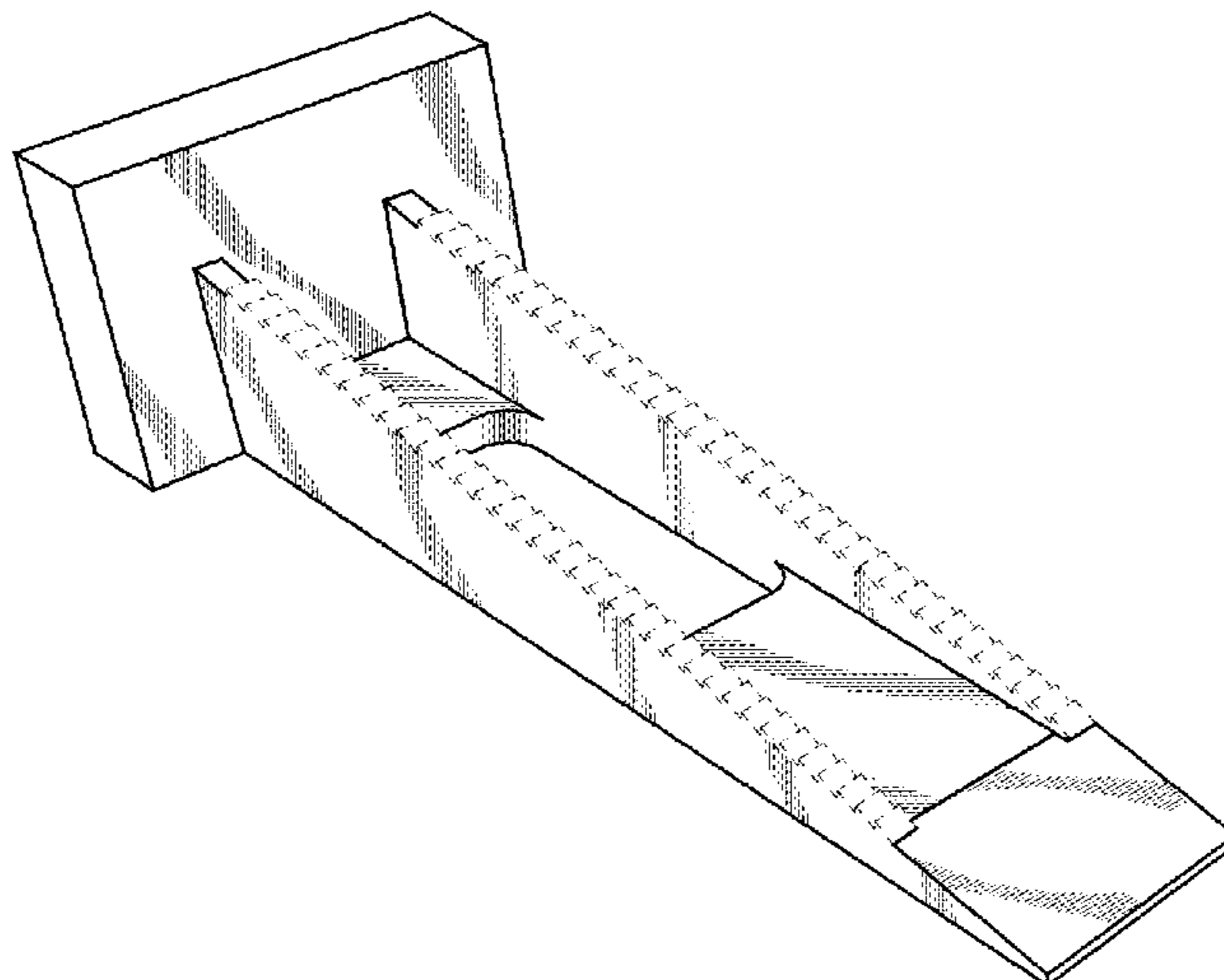
U.S. PATENT DOCUMENTS

4,397,125	A	8/1983	Gussler	
4,688,363	A *	8/1987	Sweeney E04B 1/4185 52/407.4
D538,150	S *	3/2007	Burns D8/402
7,603,825	B2	10/2009	Dohren	
7,621,100	B2	11/2009	Kufner et al.	
7,861,487	B2	1/2011	Kufner et al.	
7,954,300	B1	6/2011	Kufner et al.	
7,992,354	B2 *	8/2011	Doda, Jr. E04F 13/0892 52/127.7
8,181,420	B2	5/2012	Comas	
8,887,475	B2 *	11/2014	Ghelfi E04F 21/0092 52/749.11
9,045,911	B2 *	6/2015	Hoffman E04F 21/0092
9,260,872	B2	2/2016	Bunch et al.	

FIG. 1 is a front perspective view of a wedge for a tile installation device;
FIG. 2 is a right side elevation view of the wedge for the tile installation device shown in FIG. 1, which includes left-right symmetry;
FIG. 3 is a top plan view of the wedge for the tile installation device shown in FIG. 1;
FIG. 4 is a bottom plan view of the wedge for the tile installation device shown in FIG. 1;
FIG. 5 is a front elevation view of the wedge for the tile installation device as shown in FIG. 1; and,
FIG. 6 is a rear elevation view of the wedge for the tile installation device as shown in FIG. 1.

The broken lines depict portions of the wedge for a tile installation device in which the design is embodied, that are not considered part of the claimed design.

1 Claim, 1 Drawing Sheet



(56)

References Cited

U.S. PATENT DOCUMENTS

2008/0236094 A1* 10/2008 Doda E04F 13/0892
52/749.11
2013/0055675 A1 3/2013 Sighinolfi
2013/0118115 A1 5/2013 Hoffman et al.
2014/0116001 A1 5/2014 Ghelfi
2017/0051519 A1 2/2017 Bunch et al.

OTHER PUBLICATIONS

Q.E.P. Co., Inc., Lash Tile Leveling Clips and Wedges, 99720/9972,
www.qep.com.

* cited by examiner

