



US00D828733S

(12) **United States Design Patent** (10) **Patent No.:** **US D828,733 S**
Bo (45) **Date of Patent:** **** Sep. 18, 2018**

- (54) **MULTI COB LIGHT WITH BOTTLE OPENER**
- (71) Applicant: **Anhui Inno-Sign International Co., Ltd.**, Hefei (CN)
- (72) Inventor: **Jin Bo**, Hefei (CN)
- (73) Assignee: **Anhui Inno-Sign International Co. Ltd.**, Hefei (CN)
- (**) Term: **15 Years**
- (21) Appl. No.: **29/594,214**
- (22) Filed: **Feb. 16, 2017**
- (51) **LOC (11) Cl.** **07-06**
- (52) **U.S. Cl.**
USPC **D8/33**
- (58) **Field of Classification Search**
USPC D8/33, 34, 40; D26/37-51; D27/139, D27/141, 142
CPC F21L 2003/00; F21L 19/00; F21L 4/00; F21L 4/005; F21L 4/02; F21L 4/025; F21L 4/027; F21L 4/04; F21L 4/08; F21L 2005/00; F21L 7/00; F21L 11/00; F21L 13/00; F21L 13/04; F21L 13/08; B67B 7/00; B67B 7/14; B67B 7/16; B67B 7/18; B67B 7/20; B67B 7/24; B67B 7/44
See application file for complete search history.

(56) **References Cited**

U.S. PATENT DOCUMENTS

- D297,371 S * 8/1988 Leung D26/42
- D300,569 S * 4/1989 Kung D26/42
- D348,941 S * 7/1994 Yuen D26/42
- D362,816 S * 10/1995 Yuen D10/106.1
- D374,740 S * 10/1996 Seaman D27/142
- D391,656 S * 3/1998 Wan D26/42
- D402,069 S * 12/1998 Chan D26/38
- D452,037 S * 12/2001 Smith D27/143
- D458,098 S * 6/2002 Hastings D27/142

- D485,627 S * 1/2004 Chun D26/37
- D488,690 S * 4/2004 Haas F23Q 2/32
D27/142
- D518,584 S * 4/2006 Chan D26/37
- D528,245 S * 9/2006 Smith D27/142
- D532,540 S * 11/2006 Cohen D26/42
- D539,105 S * 3/2007 Bennett D8/18
- D543,650 S * 5/2007 Rothman D26/37
- D571,941 S * 6/2008 Lee D26/37
- D587,830 S * 3/2009 Ma D26/37
- D602,186 S * 10/2009 Lee D26/37
- D603,239 S * 11/2009 Kunzendorf D26/38
- D615,676 S * 5/2010 Lee D26/37
- D647,229 S * 10/2011 Ma D26/37
- D660,487 S * 5/2012 Wu D26/38
- D760,428 S * 6/2016 Rahbar D27/141
- 2010/0157581 A1 * 6/2010 Galli F21L 4/027
362/158

* cited by examiner

Primary Examiner — Wan Laymon

Assistant Examiner — Clint A Samuel

(74) *Attorney, Agent, or Firm* — Richards Patent Law P.C.

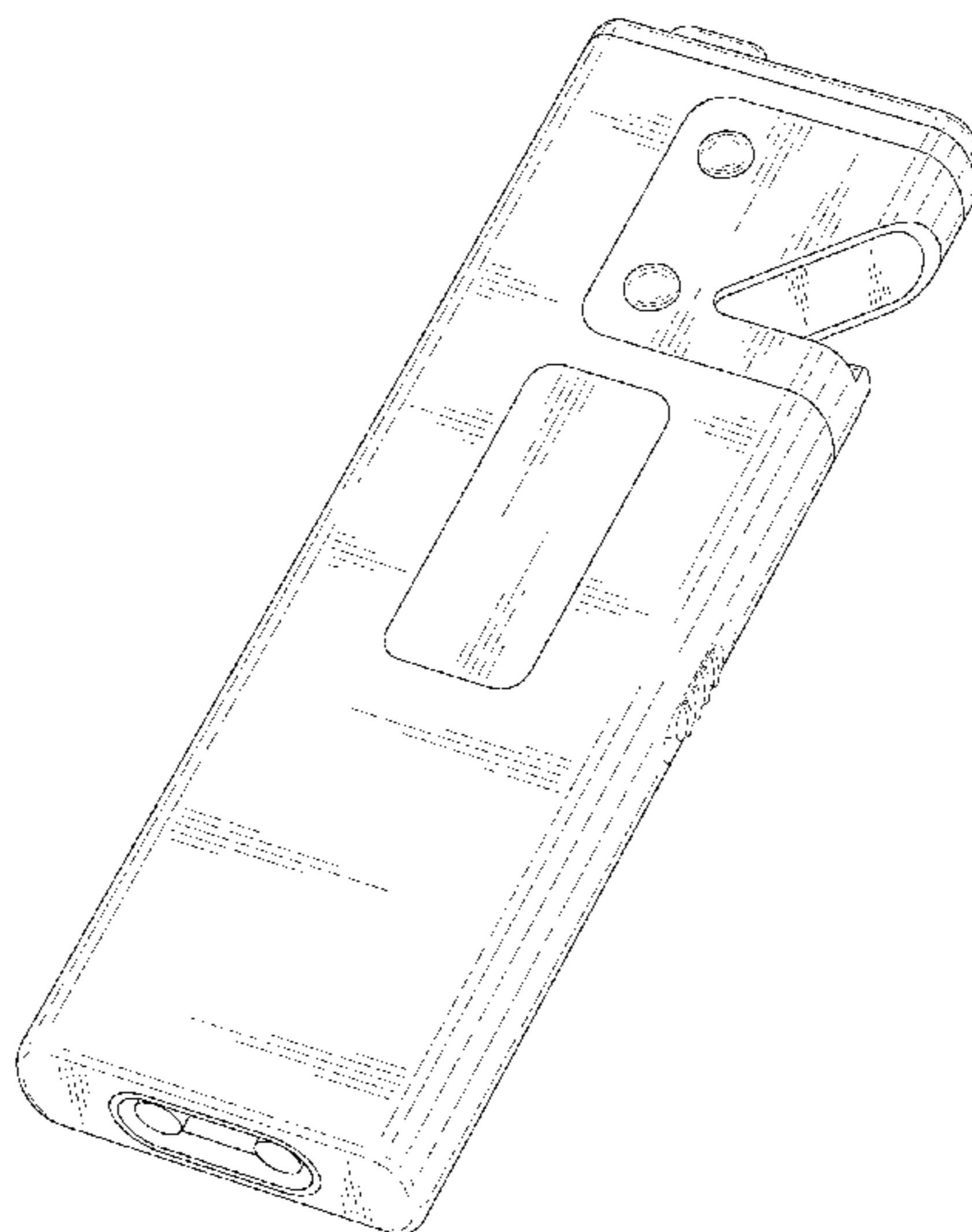
(57) **CLAIM**

The ornamental design for a multi COB light with bottle opener, as shown and described.

DESCRIPTION

FIG. 1 is an isometric view of a multi COB light with bottle opener showing my new design;
 FIG. 2 is a front view thereof;
 FIG. 3 is a back view thereof;
 FIG. 4 is a left side view thereof;
 FIG. 5 is a right side view thereof;
 FIG. 6 is a top view thereof; and,
 FIG. 7 is a bottom view thereof.
 Those portions of the figures that are presented in broken lines merely illustrate the environment of the design and are not part of the claimed design.

1 Claim, 5 Drawing Sheets



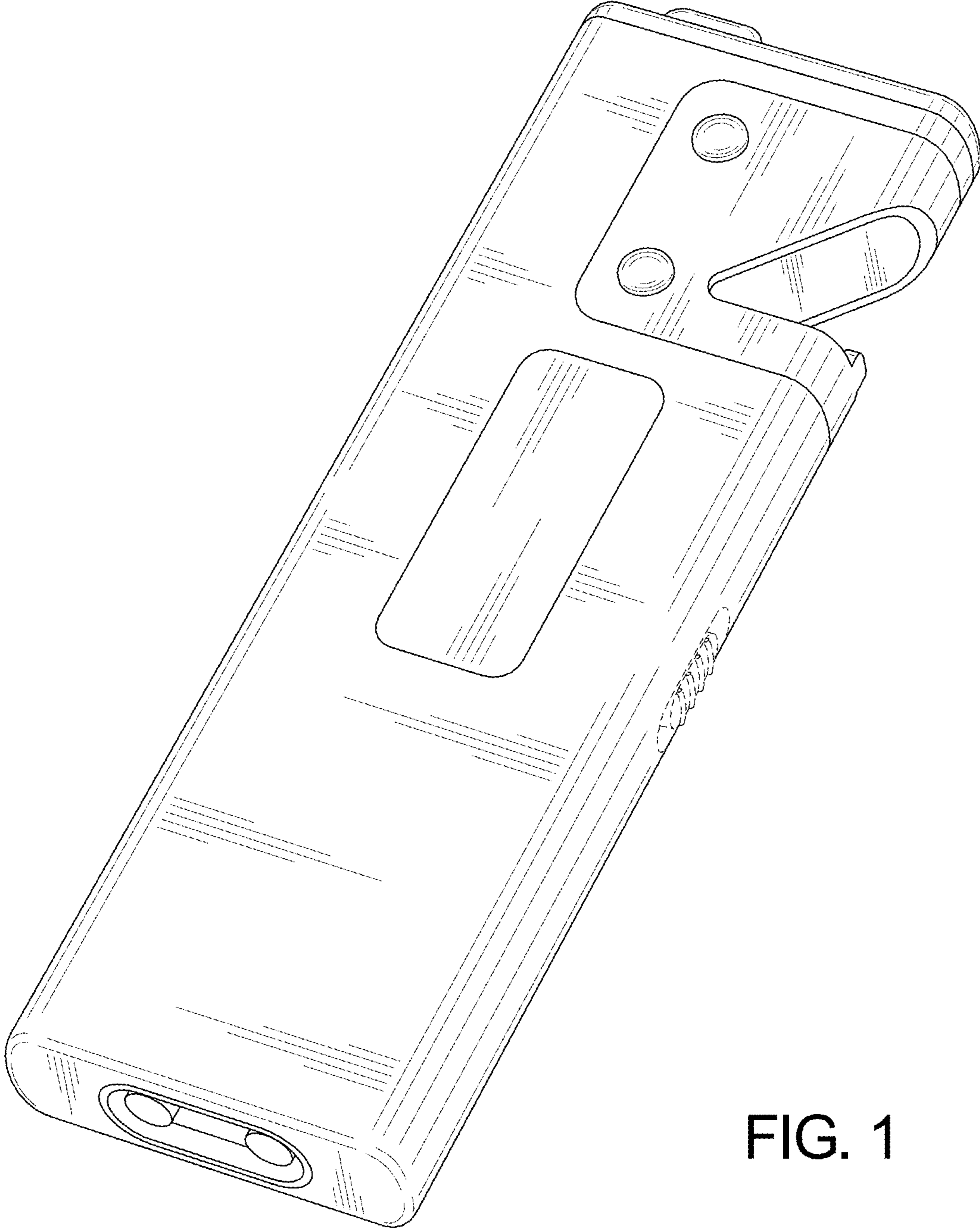


FIG. 1

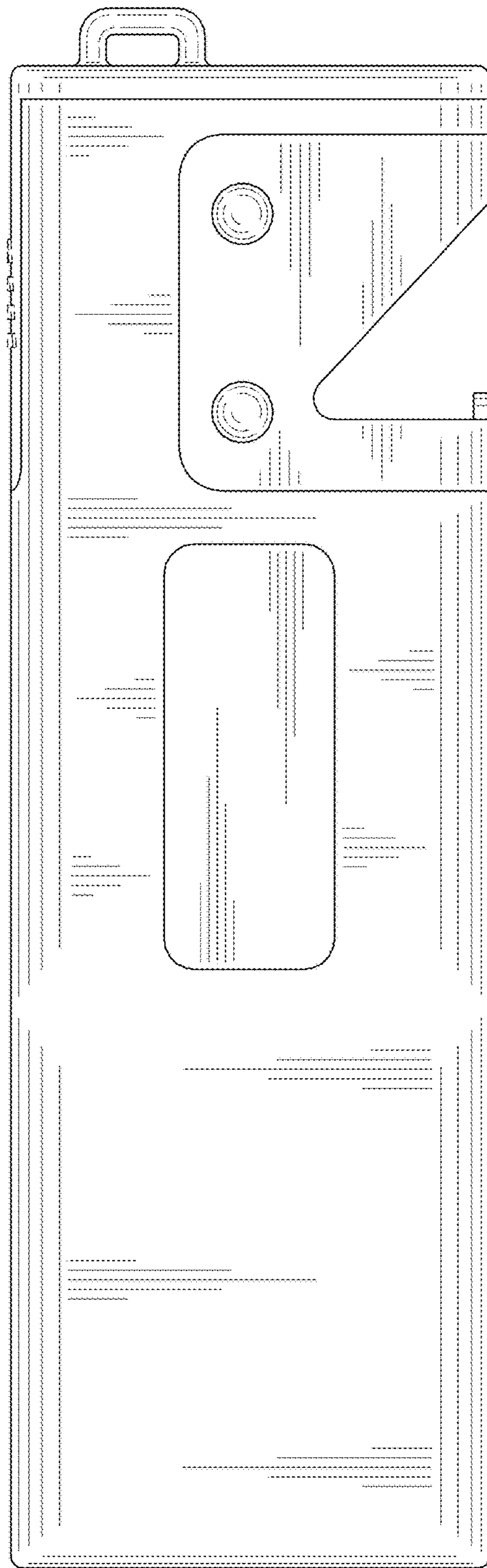


FIG. 2

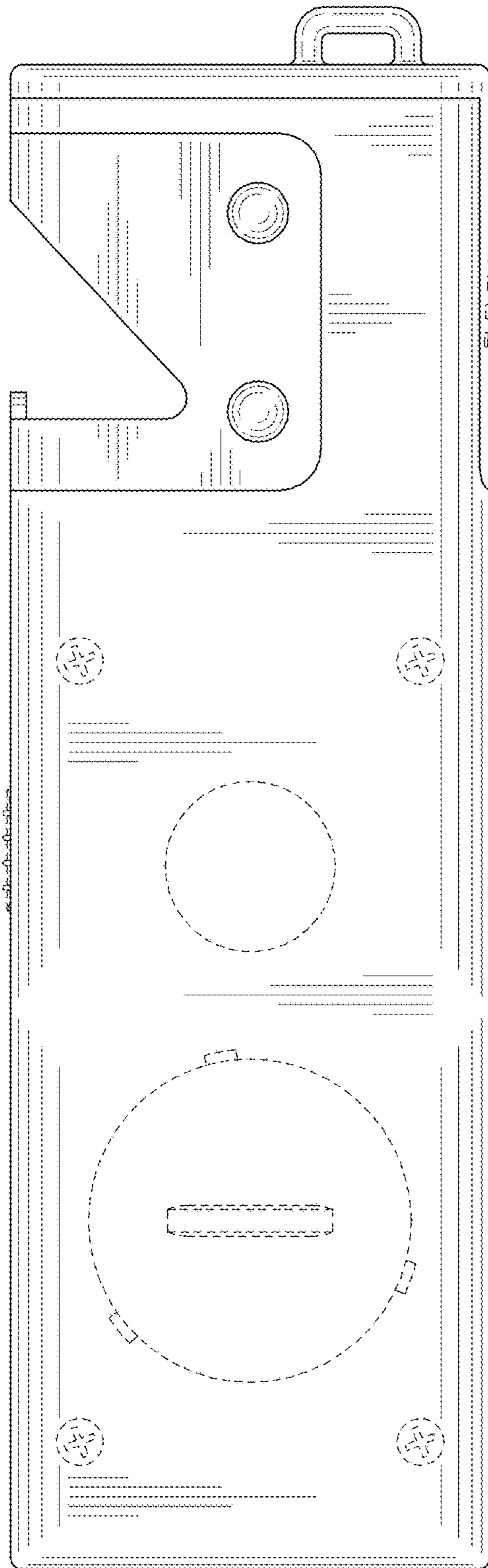


FIG. 3

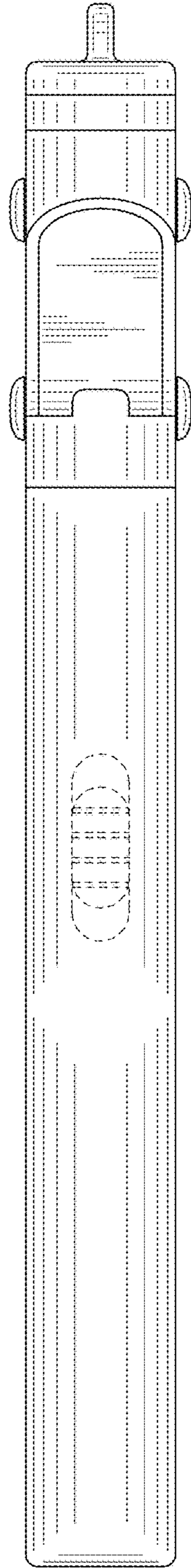


FIG. 4

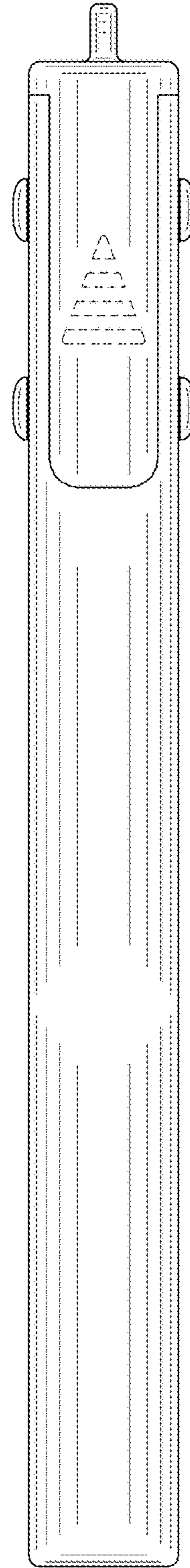


FIG. 5

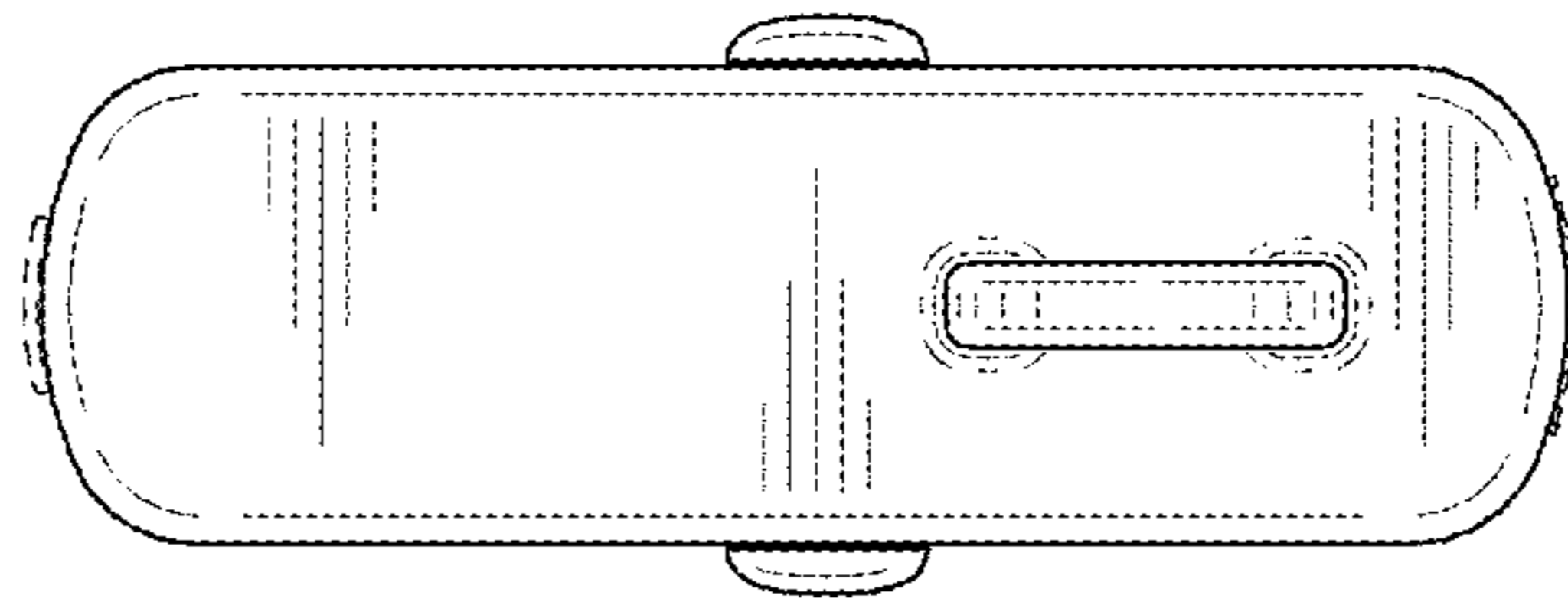


FIG. 6

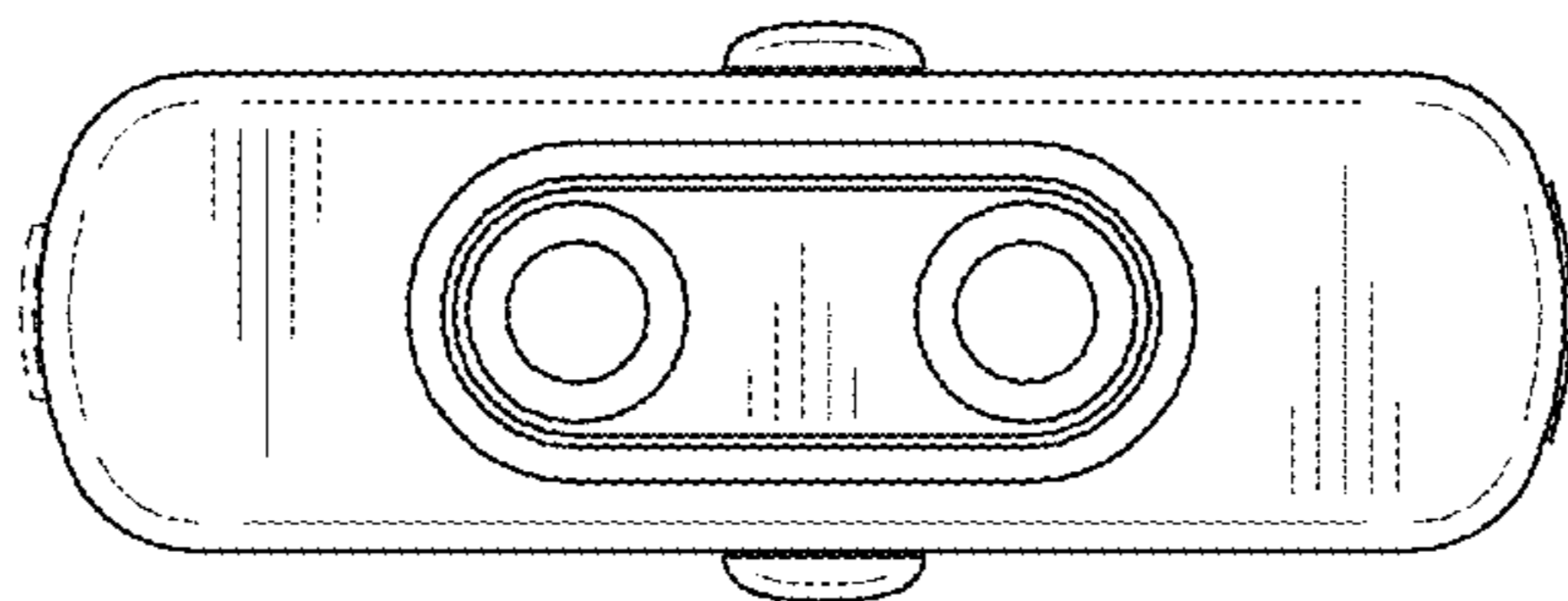


FIG. 7