



US00D828726S

(12) **United States Design Patent** (10) **Patent No.:** **US D828,726 S**  
**Epley** (45) **Date of Patent:** **\*\* \*Sep. 18, 2018**

(54) **FOOD BOWL**

B65D 11/00; B65D 13/00; B65D 15/00;  
B65D 21/00; B65D 27/00

(71) Applicant: **Lee Richard Epley**, Lees Summit, MO  
(US)

See application file for complete search history.

(72) Inventor: **Lee Richard Epley**, Lees Summit, MO  
(US)

(56) **References Cited**

(\*) Notice: This patent is subject to a terminal disclaimer.

U.S. PATENT DOCUMENTS

(\*\*) Term: **15 Years**

(21) Appl. No.: **29/558,738**

196,005 A *	10/1877	Gardner	.....	B65D 9/02 217/1
D24,375 S *	6/1895	Ahrenfeldt	.....	D7/585
2,259,682 A *	10/1941	Collins	.....	A01K 5/0114 119/61.54
2,309,557 A *	1/1943	Watkins	.....	B65D 1/34 229/125.015
2,690,065 A *	9/1954	Harman	.....	A47G 19/02 206/503
D198,701 S *	7/1964	Roehrig	.....	220/23.83
3,190,486 A *	6/1965	Rech	.....	A47G 19/02 220/574

(22) Filed: **Mar. 21, 2016**

(51) **LOC (11) Cl.** ..... **07-07**

(52) **U.S. Cl.**  
USPC ..... **D7/602**

(Continued)

(58) **Field of Classification Search**

*Primary Examiner* — Shannon W Morgan  
(74) *Attorney, Agent, or Firm* — Mashburn Law Office  
LLC; Donna Denise Mashburn Chapman

USPC ..... D7/601, 602, 603, 604, 605, 608, 612,  
D7/615, 630, 640, 500, 502, 550.1, 551.1,  
D7/553.6, 553.7, 553.8, 554.1, 554.2,  
D7/554.4, 557, 555, 562, 565, 568, 570,  
D7/572, 584, 585, 586, 587, 647, 642;  
D9/761, 762, 755, 756, 757, 758, 500,  
D9/428, 414

CPC ..... A47G 19/00; A47G 19/02; A47G 19/12;  
A47G 19/022; A47G 19/025; A47G  
19/027; A47G 19/03; A47G 19/04; A47G  
19/122; A47G 19/125; A47G 19/127;  
A47G 19/14; A47G 19/18; A47G 19/145;  
A47G 19/2205; A47G 19/2283; A47G  
19/2288; A47G 19/23; A47G 19/26;  
A47G 21/007; A47G 21/00; A47G 23/06;  
A47G 23/0683; A01K 5/01; A47J 37/00;  
A47J 37/01; A47J 41/00; A47J 43/00;  
B65D 1/00; B65D 1/10; B65D 1/22;  
B65D 1/34; B65D 3/00; B65D 3/02;  
B65D 52/00; B65D 52/0005; B65D  
52/001; B65D 52/0085; B65D 52/02;  
B65D 52/0209; B65D 7/00; B65D 7/02;  
B65D 9/00; B65D 9/02; B65D 9/06;

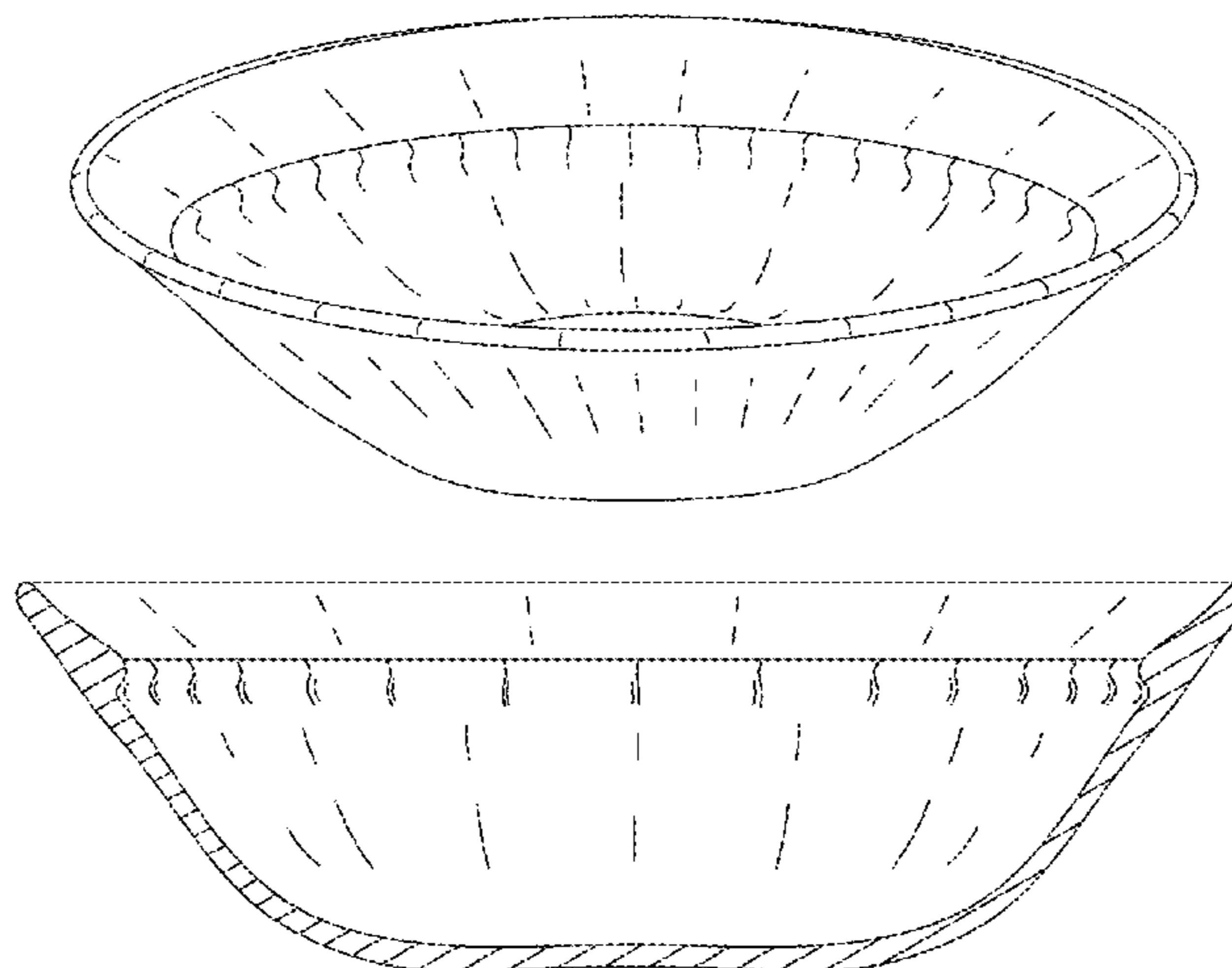
(57) **CLAIM**

The ornamental design for a food bowl, as shown and described.

**DESCRIPTION**

FIG. 1 is a top, front perspective view of a food bowl showing my new design;  
FIG. 2 is a front elevational view thereof;  
FIG. 3 is a rear elevational view thereof;  
FIG. 4 is a cross-sectional view taken along line 4-4 of FIG. 5 thereof;  
FIG. 5 is a top plan view thereof; and,  
FIG. 6 is a bottom plan view thereof.  
The broken lines shown in the figures are directed to environment and form no part of the claimed design.  
The interior bottom center surface of the food bowl shown in FIG. 5 are part of the claimed design.

**1 Claim, 6 Drawing Sheets**



(56)

References Cited

U.S. PATENT DOCUMENTS

3,508,183	A *	4/1970	Pinckard	.....	A47G 19/00				
					206/818				
3,528,584	A *	9/1970	Piccirilli	.....	A47G 19/2283				
					220/23.83				
D240,001	S *	5/1976	Myers et al.	.....	D7/584				
D250,929	S *	1/1979	Gerstman	.....	D7/565				
D303,196	S *	9/1989	Unger	.....	D7/586				
4,995,524	A *	2/1991	Welles	.....	A47G 19/2283				
					206/502				
D434,947	S *	12/2000	Wellner	.....	D7/586				
D438,063	S *	2/2001	Indekeu	.....	D7/586				
D442,831	S *	5/2001	Jacobs	.....	D7/584				
D472,770	S *	4/2003	Wellner	.....	D7/545				
D482,574	S *	11/2003	Mountain	.....	D7/586				
D491,455	S *	6/2004	Li	.....	D9/425				
D546,630	S *	7/2007	Asner	.....	D7/587				
D560,975	S *	2/2008	Luft	.....	D7/543				
D564,302	S *	3/2008	Freeman	.....	D7/586				
D564,843	S *	3/2008	Frank	.....	D7/566				
D575,589	S *	8/2008	Fadda	.....	D7/584				
D608,594	S *	1/2010	Weber	.....	D7/584				
D608,595	S *	1/2010	Haas	.....	D7/587				
D630,897	S *	1/2011	Jarvis	.....	D7/407				
D646,122	S *	10/2011	Burns	.....	D7/505				
D646,126	S *	10/2011	Hering	.....	D7/587				
D646,931	S *	10/2011	Chen	.....	D7/554.2				
D656,362	S *	3/2012	Cloutier	.....	D7/500				
D656,793	S *	4/2012	Mastroianni	.....	D7/587				
D660,651	S *	5/2012	Peters	.....	D7/587				
D666,458	S *	9/2012	Montgomery	.....	D7/586				
D732,891	S *	6/2015	Bonilla	.....	D30/129				
D738,165	S *	9/2015	Liu	.....	D7/586				
D742,585	S *	11/2015	Bennett	.....	D27/136				
D756,715	S *	5/2016	Ricciardi	.....	D7/587				
2004/0056036	A1 *	3/2004	Tsai	.....	A47G 19/027				
					220/556				
2009/0159069	A1 *	6/2009	Choi	.....	A47G 19/027				
					126/263.01				
2015/0305349	A1 *	10/2015	Johnson	.....	A47J 37/0611				
					426/138				

\* cited by examiner

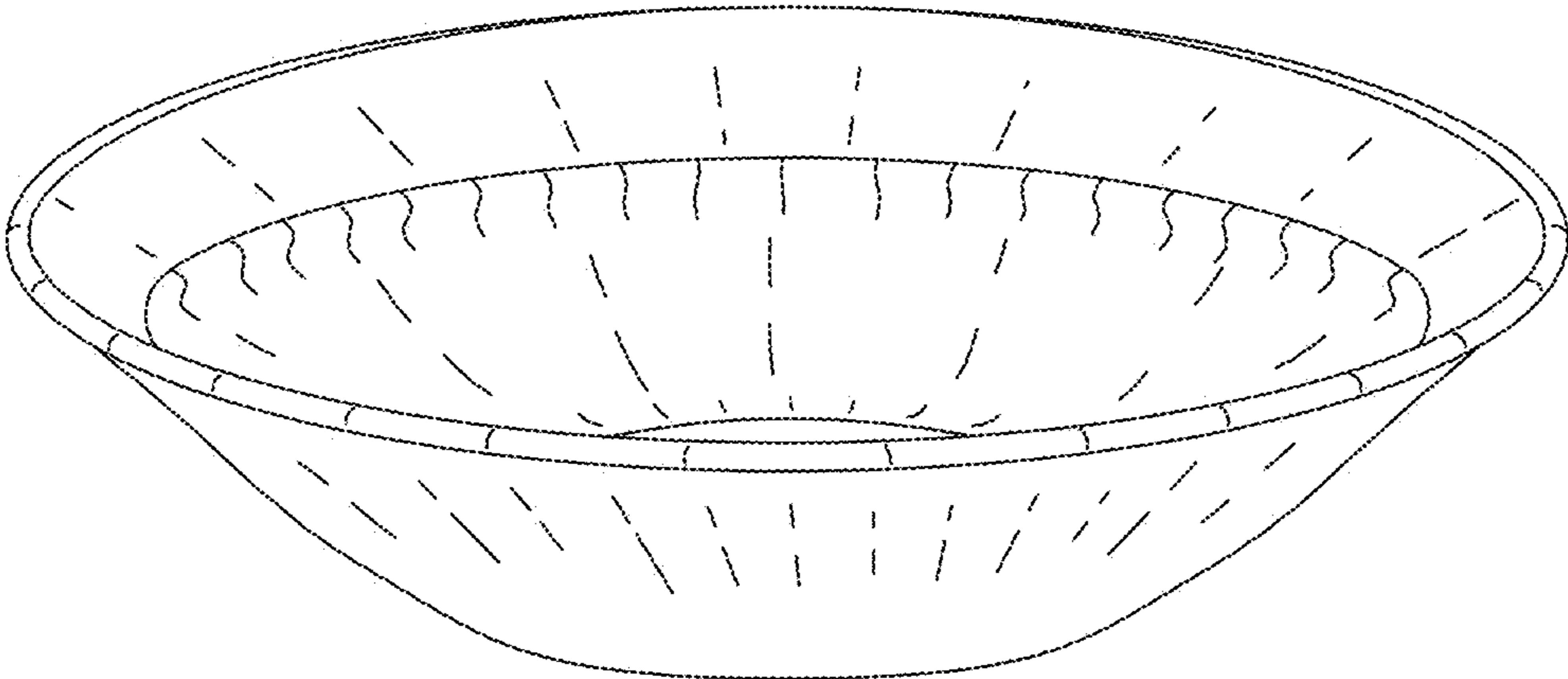


FIG. 1

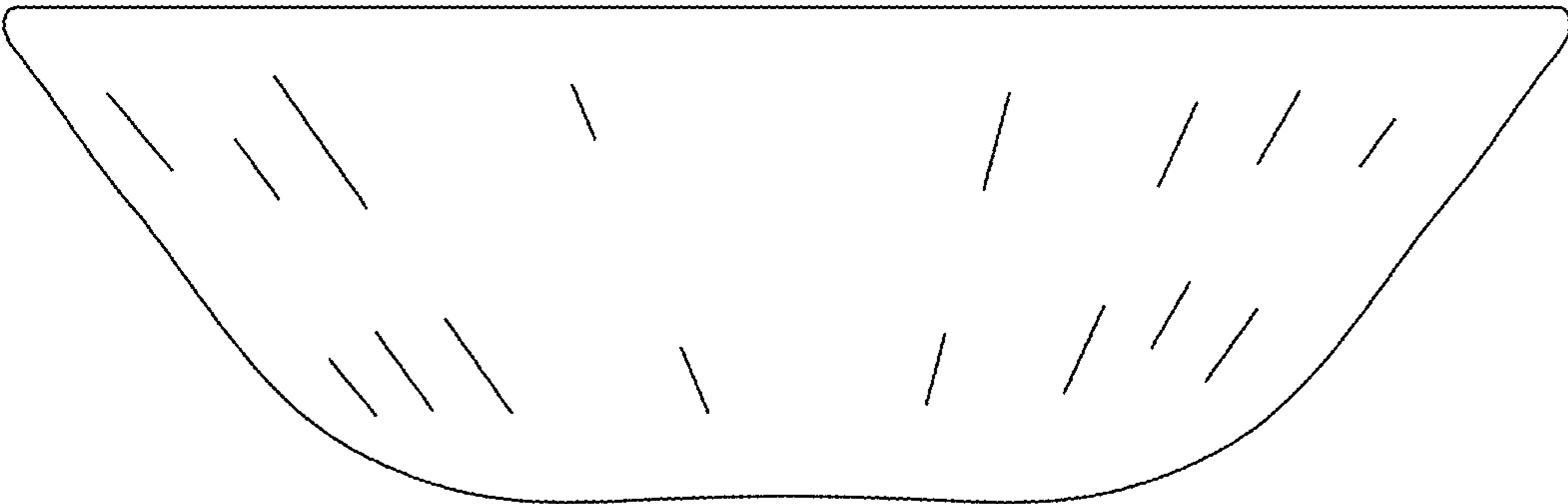


FIG. 2

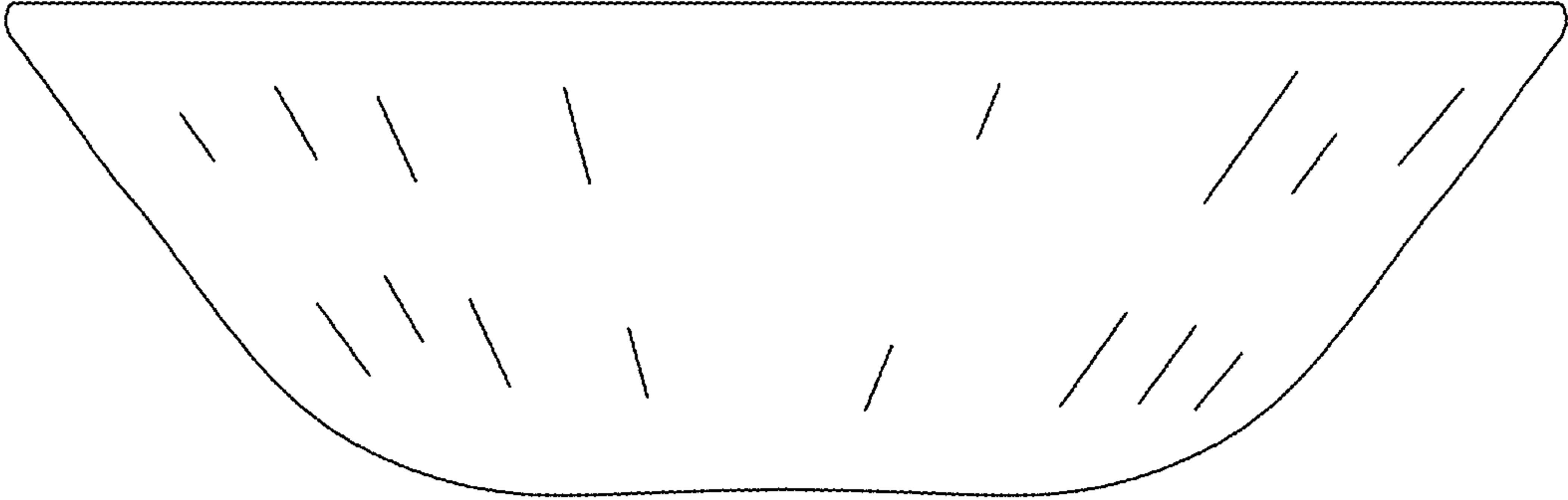


FIG. 3

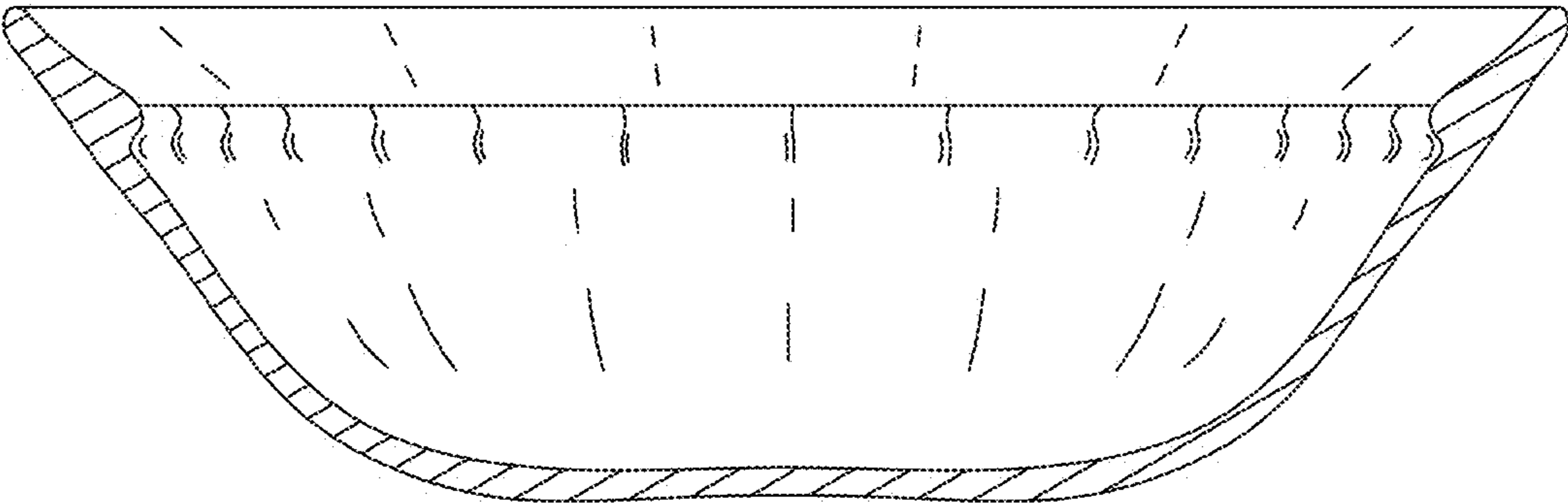


FIG. 4

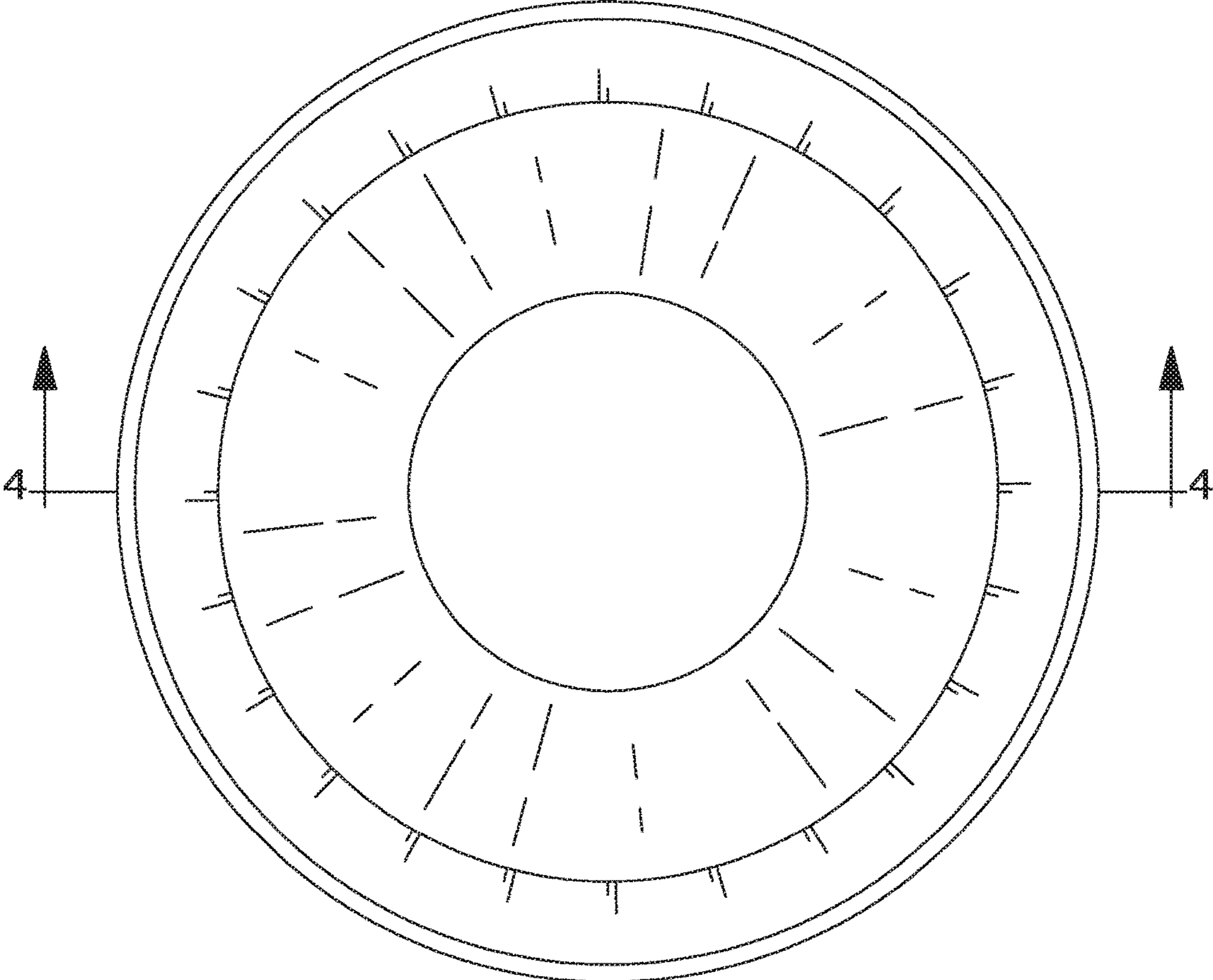


FIG. 5

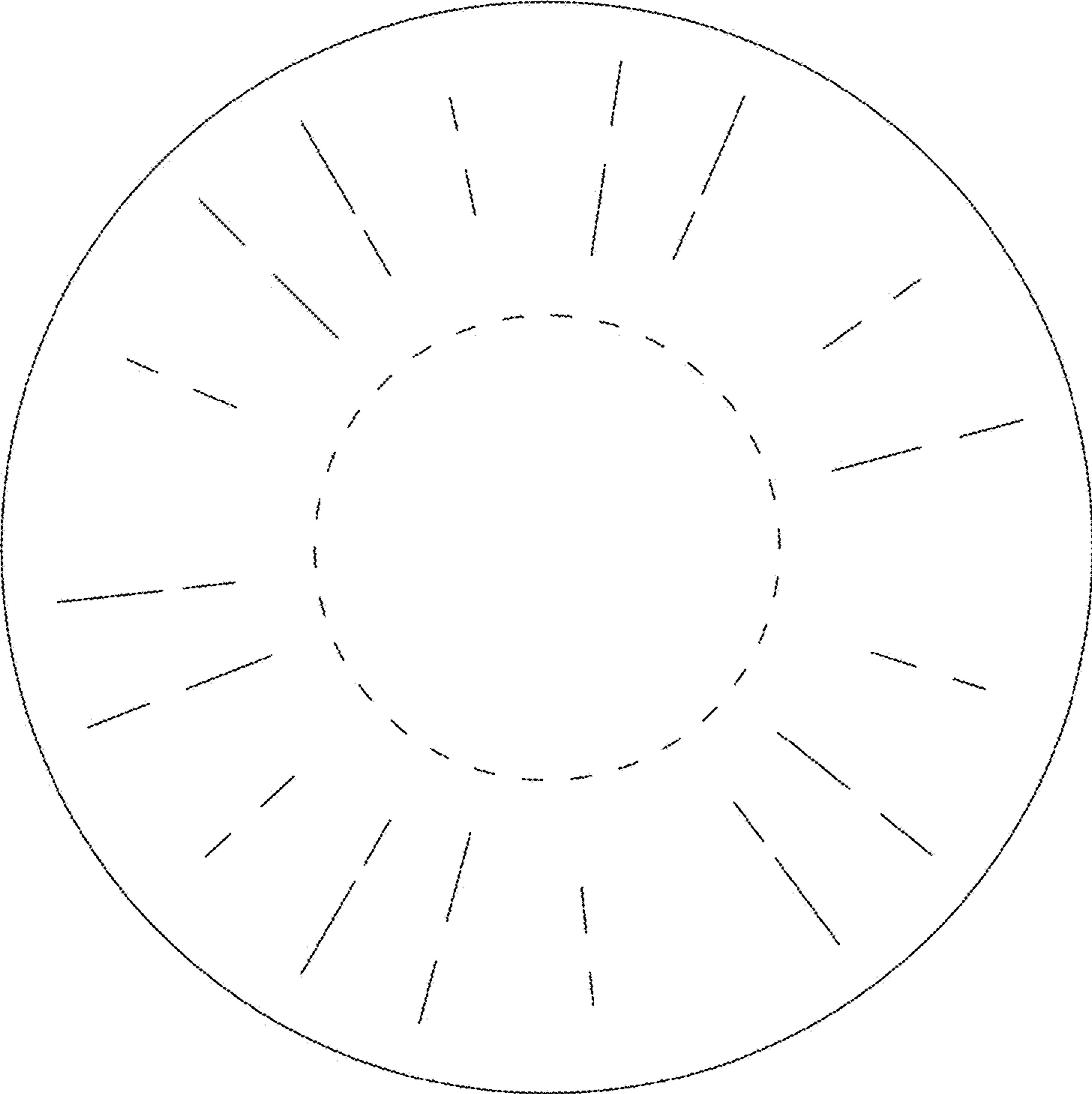


FIG. 6