



US00D828724S

(12) **United States Design Patent**
Wall

(10) **Patent No.:** **US D828,724 S**

(45) **Date of Patent:** **** Sep. 18, 2018**

(54) **TUMBLER**

(71) Applicant: **Marty Guy Wall**, Greenbrier, TN (US)

(72) Inventor: **Marty Guy Wall**, Greenbrier, TN (US)

(**) Term: **15 Years**

(21) Appl. No.: **29/588,006**

(22) Filed: **Dec. 16, 2016**

(51) **LOC (11) Cl.** **07-01**

(52) **U.S. Cl.**

USPC **D7/523**; D7/532; D7/511

(58) **Field of Classification Search**

USPC D7/507, 509, 510, 511, 523, 528, 529,
D7/533, 532, 534, 543, 524, 537, 608;
220/592.16, 592.17, 495.03; D11/143,
D11/144; D30/121, 129, 132

CPC A47G 19/2227; A47G 19/2272; A47G
19/2205; A47G 19/22; A45F 3/16; B65D
47/066; A47J 43/27

See application file for complete search history.

(56) **References Cited**

U.S. PATENT DOCUMENTS

D379,738 S *	6/1997	Liming	D7/510
5,918,761 A *	7/1999	Wissinger	A47G 19/2272 220/304
D417,365 S *	12/1999	Huang	D7/511
D435,195 S *	12/2000	Joergensen	D7/511
D436,295 S *	1/2001	Furman	D7/509
D446,687 S *	8/2001	Furman	D7/509
D464,849 S *	10/2002	Norris	D7/510
D482,933 S *	12/2003	Norris	D7/510

D529,763 S *	10/2006	Zerillo	D7/510
D538,657 S *	3/2007	Webb	D9/500
D540,625 S *	4/2007	Sandberg	D7/608
D565,901 S *	4/2008	Edelstein	D7/510
D569,187 S *	5/2008	Sandberg	D7/509
D599,621 S *	9/2009	Poindexter	D7/532
D649,402 S *	11/2011	Gilbert	D7/510
D658,944 S *	5/2012	Gilbert	D7/511
D702,086 S *	4/2014	Thurlow	D7/510
D713,686 S *	9/2014	Eyal	D7/509
D740,676 S *	10/2015	Brown	D9/500

* cited by examiner

Primary Examiner — Marianne Pandozzi

Assistant Examiner — Jae Liang

(74) *Attorney, Agent, or Firm* — Dunlap Bennett &
Ludwig PLLC; Brendan E. Squire

(57) **CLAIM**

The ornamental design for a tumbler, as shown and described.

DESCRIPTION

FIG. 1 is a front perspective view of a tumbler showing my new design;

FIG. 2 is a front elevational view thereof;

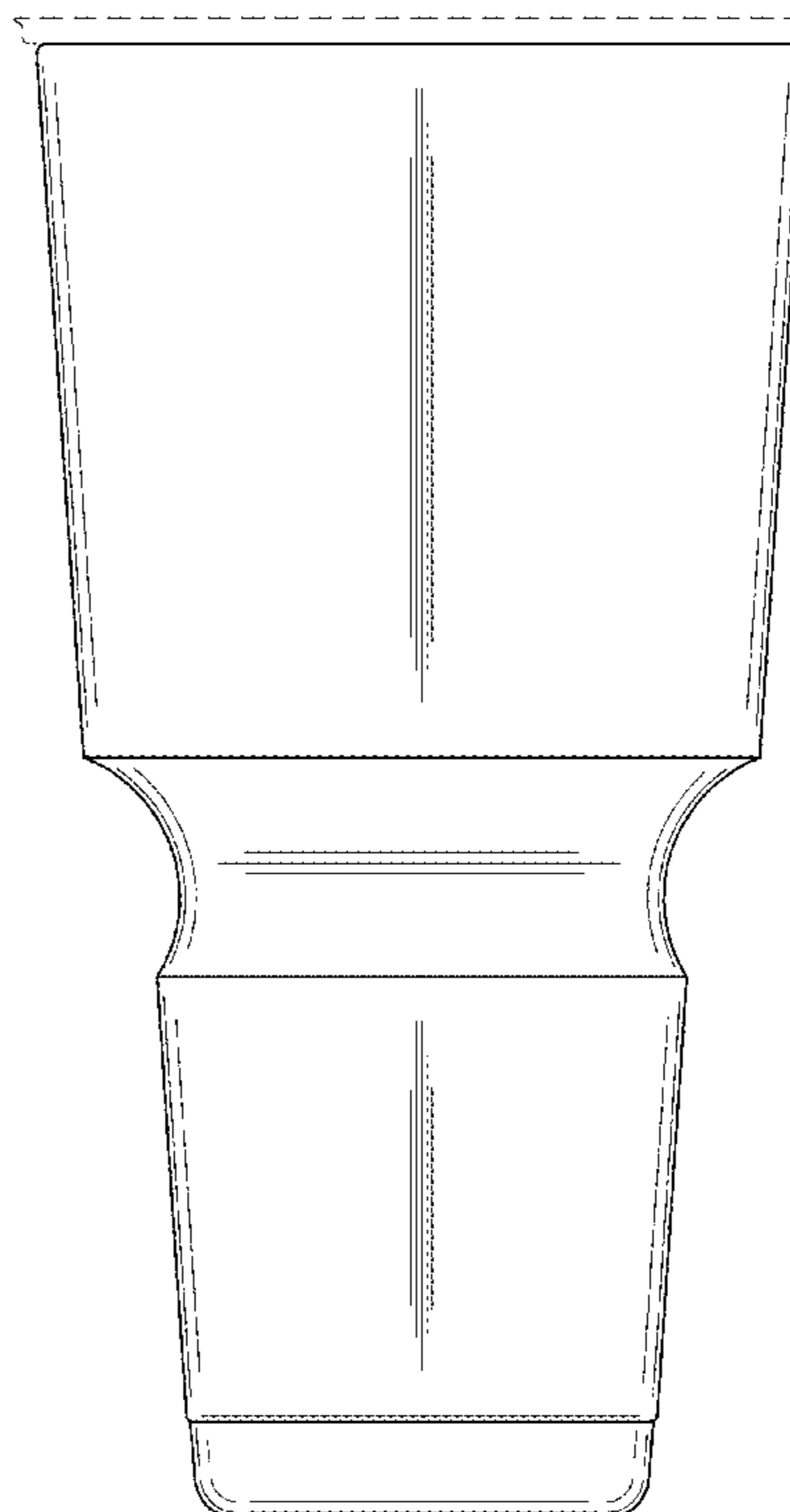
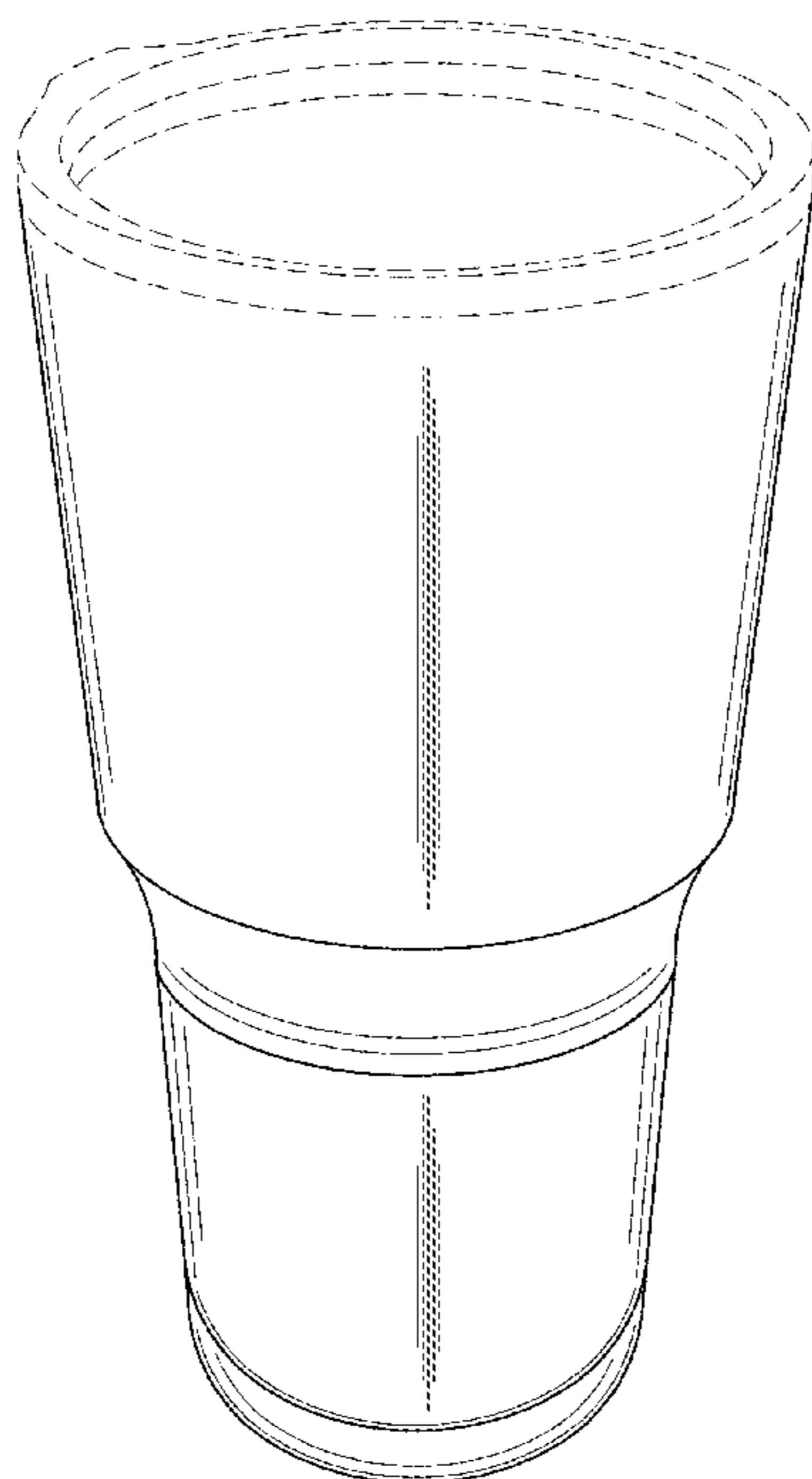
FIG. 3 is a top plan view thereof;

FIG. 4 is a bottom plan view thereof; and,

FIG. 5 is a cross sectional view showing a section taken along line 5-5 of FIG. 4.

The broken lines shown in the drawings depict portions of the tumbler that form no part of the claimed design.

1 Claim, 4 Drawing Sheets



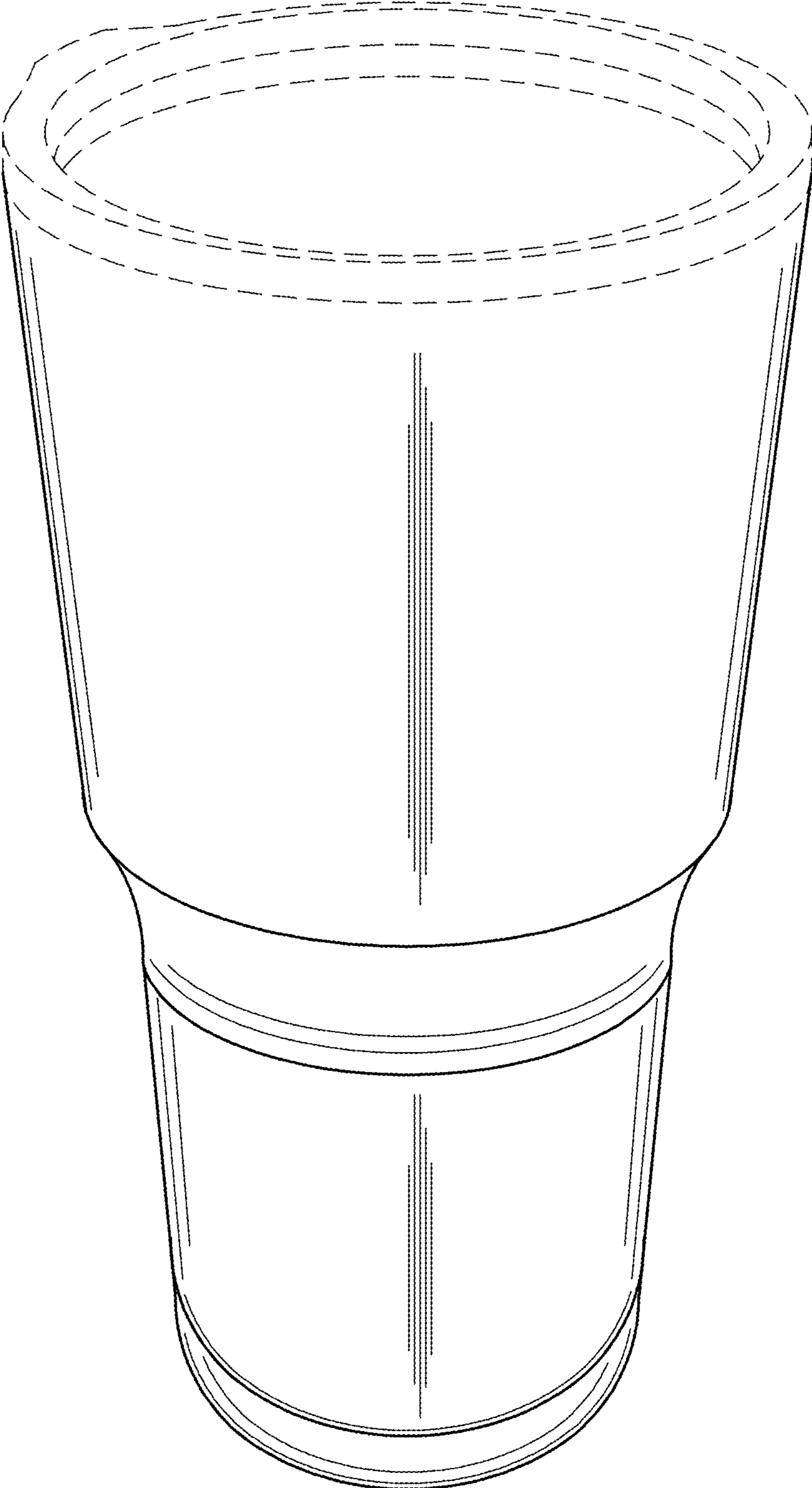


Fig. 1

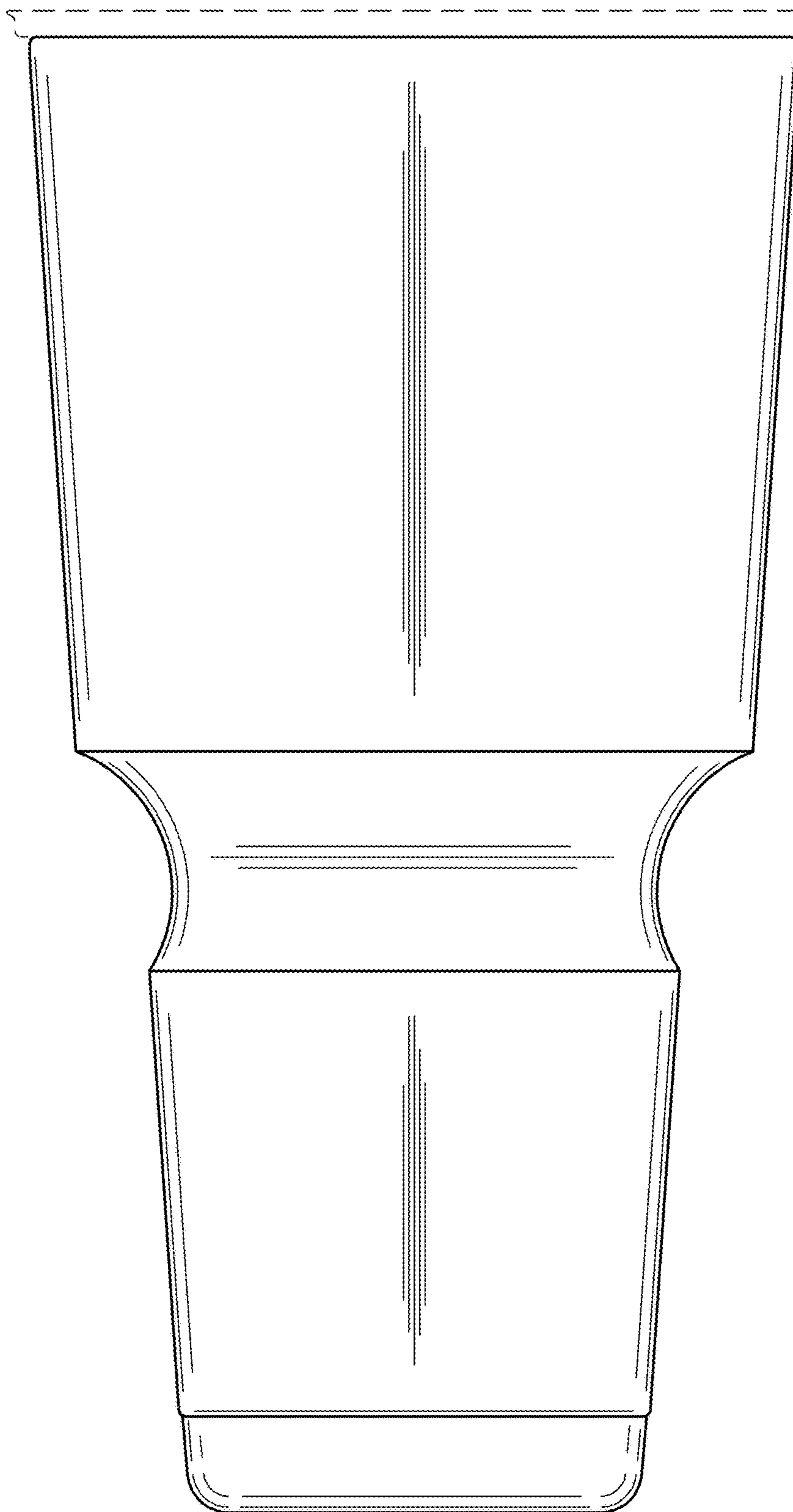


Fig. 2

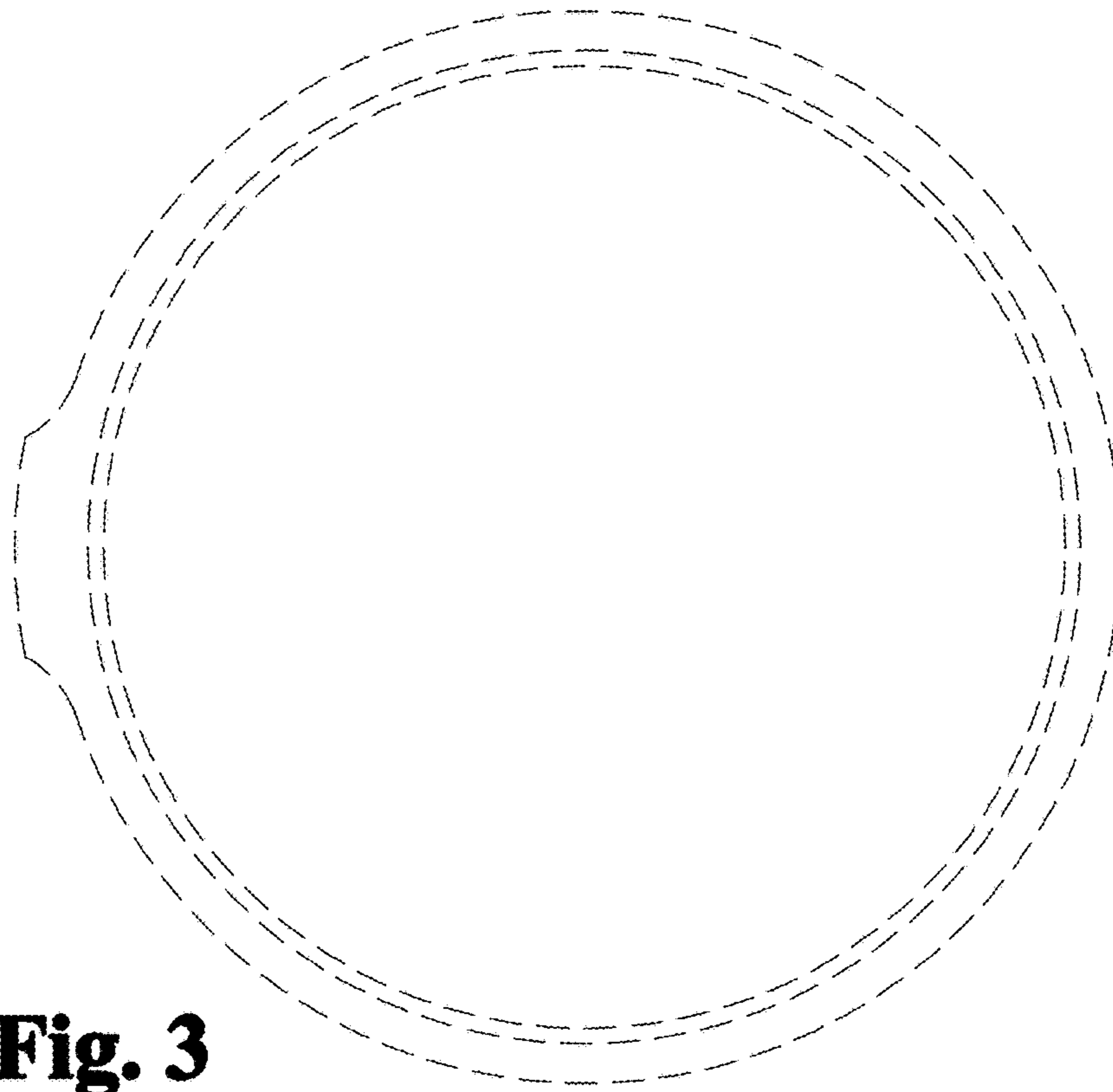


Fig. 3

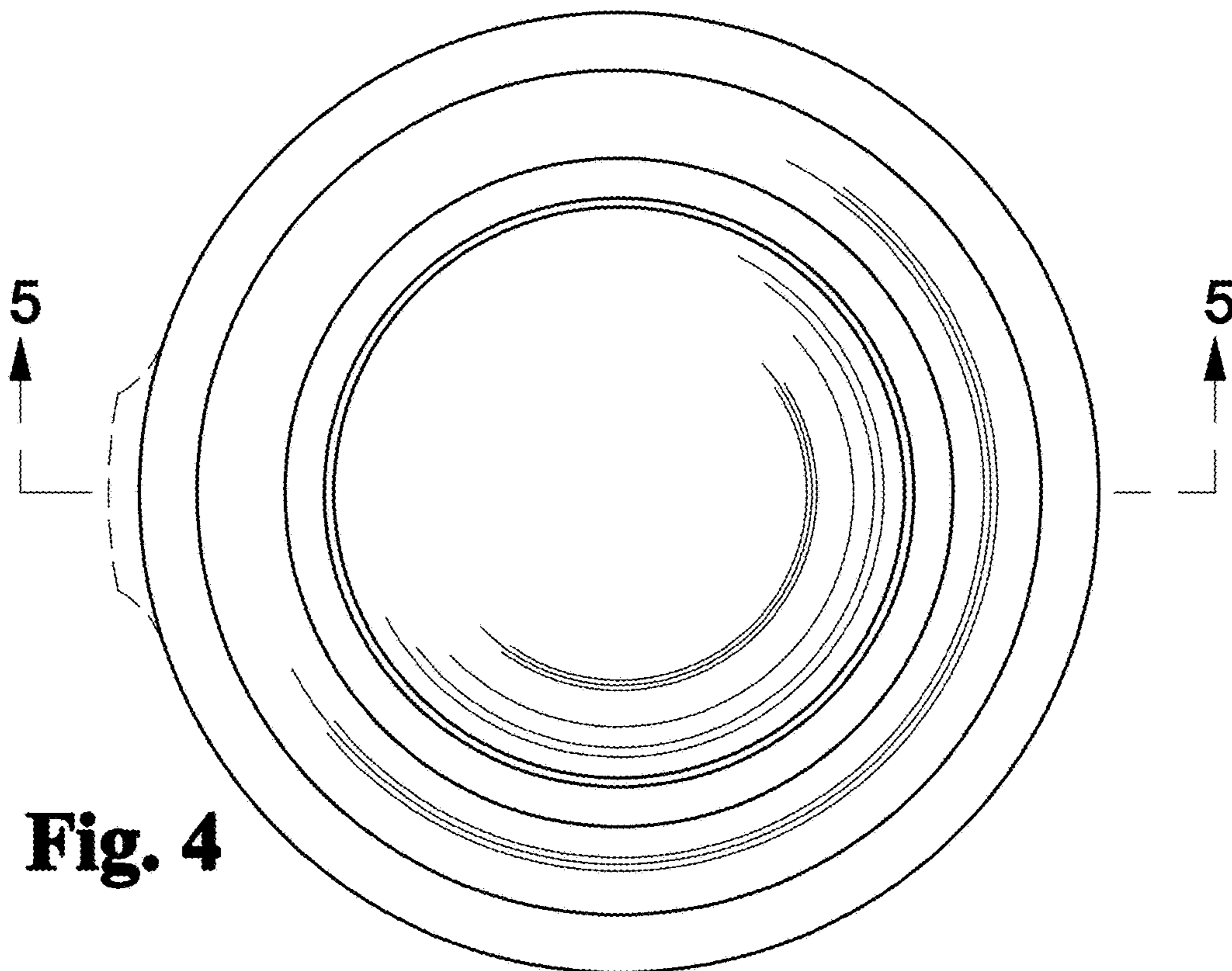


Fig. 4

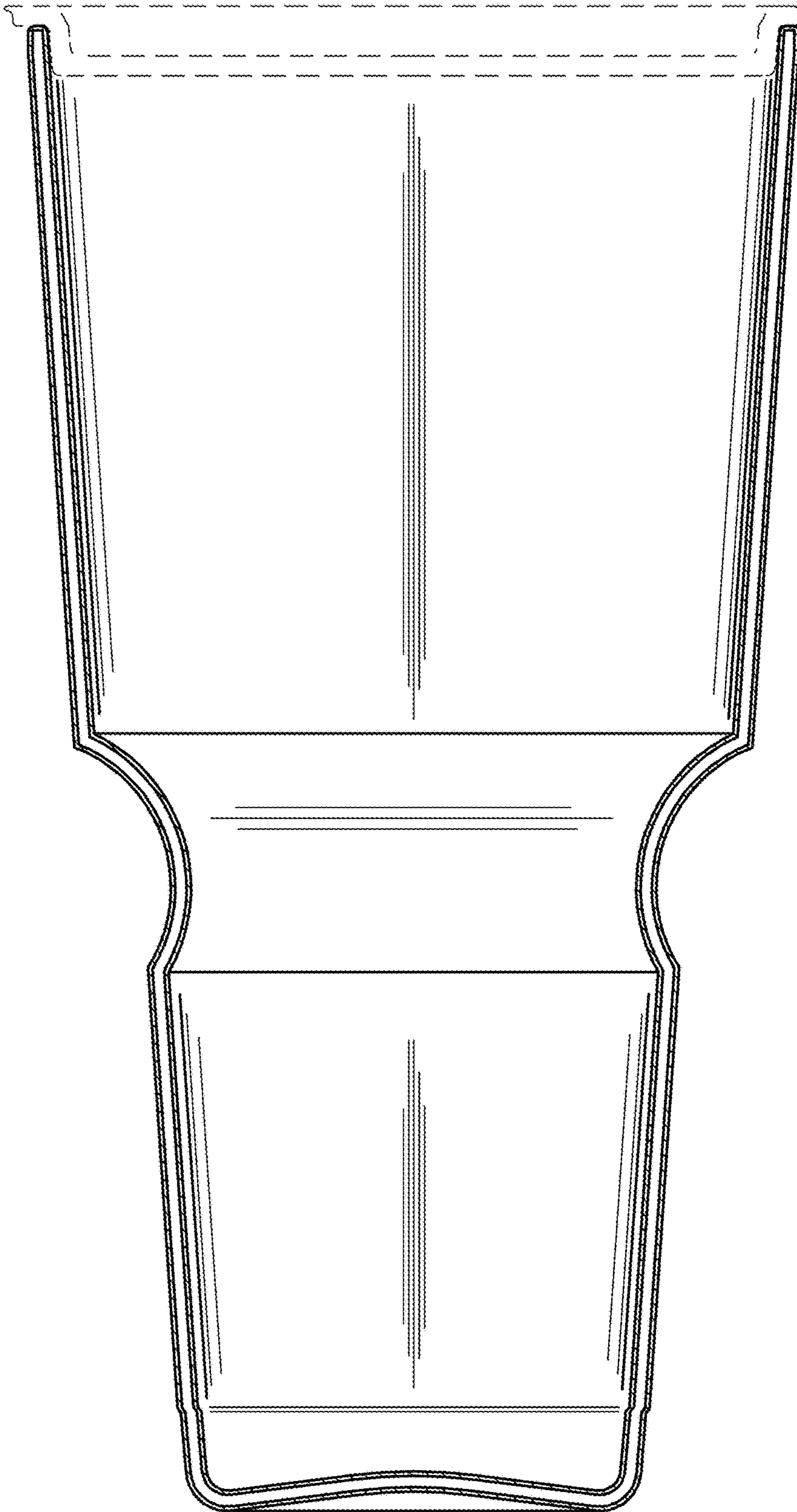


Fig. 5