



US00D828723S

(12) **United States Design Patent**
Gauss et al.

(10) **Patent No.:** **US D828,723 S**
(45) **Date of Patent:** **** Sep. 18, 2018**

- (54) **BEVERAGE VESSEL WITH LID**
- (71) Applicants: **Kurt Gauss**, Spokane, WA (US); **S. Richard Motzkus**, Spokane, WA (US)
- (72) Inventors: **Kurt Gauss**, Spokane, WA (US); **S. Richard Motzkus**, Spokane, WA (US)
- (73) Assignee: **GSI Outdoors, Inc.**, Spokane, WA (US)
- (**) Term: **15 Years**

D632,521 S *	2/2011	Wahl	D7/392.1
D651,044 S *	12/2011	Gilbert	D7/510
D721,912 S *	2/2015	Boroski	D7/392.1
D723,333 S *	3/2015	Lin	D7/511
D781,654 S *	3/2017	Marquard	D7/510
D790,912 S *	7/2017	Joseph	D7/391
D791,549 S *	7/2017	Goodwin	D7/608
D799,269 S *	10/2017	Vargo	D7/510
D806,379 S *	1/2018	Korfonta	D3/202
D812,978 S *	3/2018	Swan	D7/511
D815,908 S *	4/2018	Kauss	D7/511
D816,397 S *	5/2018	Karl, IV	D7/392.1
2005/0224448 A1 *	10/2005	Sutton	A47G 19/2227 215/386

- (21) Appl. No.: **29/611,367**
- (22) Filed: **Jul. 20, 2017**
- (51) **LOC (11) Cl.** **07-01**
- (52) **U.S. Cl.**
USPC **D7/510**; D7/511; D7/536
- (58) **Field of Classification Search**
USPC D7/507, 509, 510, 511, 512, 523, 531,
D7/532, 533, 535, 536, 608, 392.1, 396.2,
D7/529, 667, 319, 320, 300, 300.1;
D9/435, 436, 449, 442, 443, 500, 502,
D9/503, 504, 529, 447, 516, 453, 531,
D9/567, 539, 560, 544, 572, 573;
220/592.16, 592.17, 62.12, 703; D26/7
CPC A45F 3/16; B65D 47/066; A47J 43/27;
A47G 19/2272; A47G 19/2211; A47G
19/22; A47G 19/2222
See application file for complete search history.

* cited by examiner

Primary Examiner — Marianne Pandozzi

Assistant Examiner — Jae Liang

(74) *Attorney, Agent, or Firm* — Randall Danskin P.S.

(57) **CLAIM**

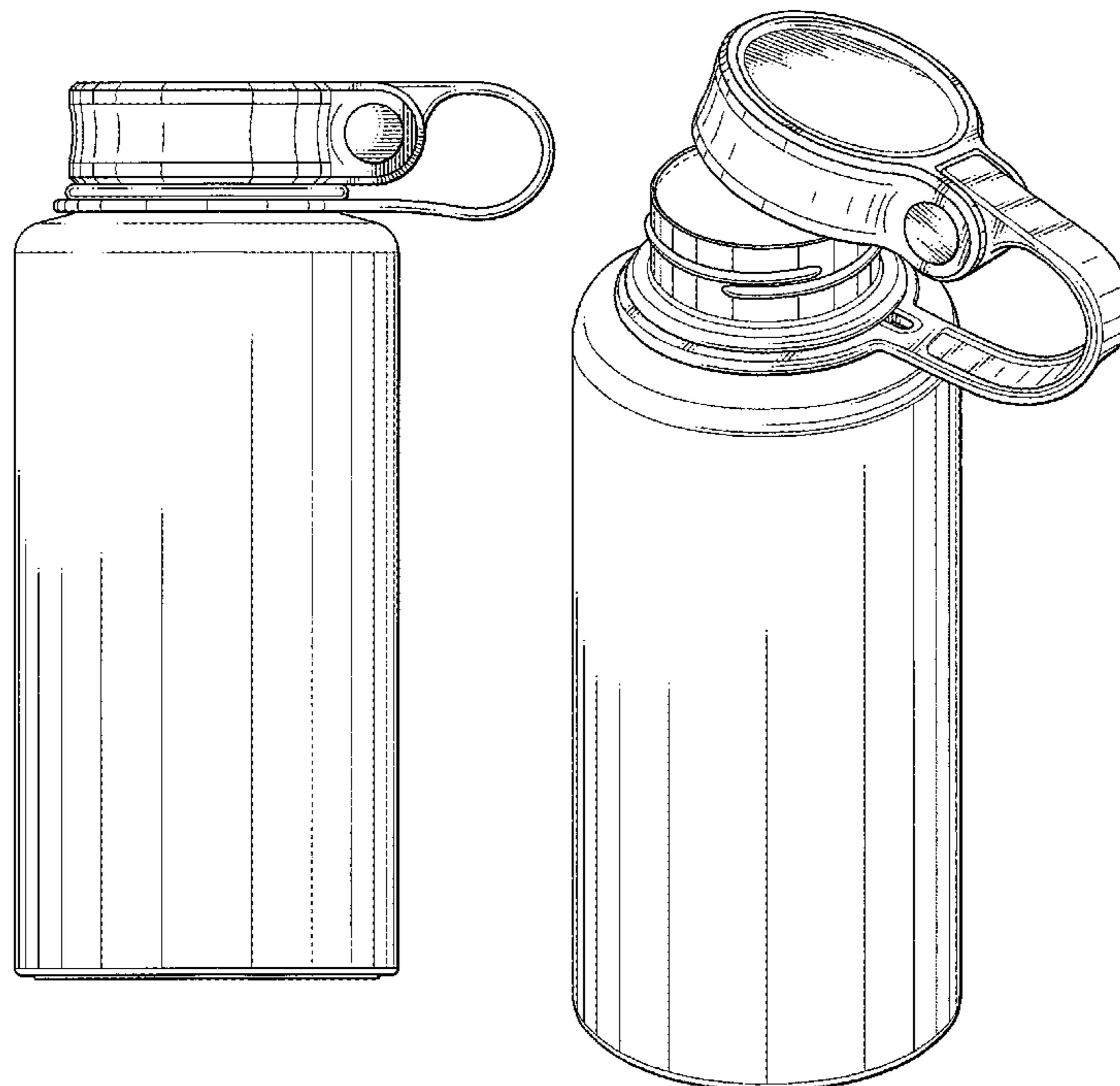
The ornamental design for a beverage vessel with lid, as shown and described.

DESCRIPTION

FIG. 1 is a top side perspective view of a beverage vessel with lid in a closed configuration showing our new design; FIG. 2 is a first side elevational view thereof; FIG. 3 is a second side elevational view thereof; FIG. 4 is a third side elevational view thereof; FIG. 5 is a top plan view thereof; FIG. 6 is a bottom plan view thereof; and, FIG. 7 is a perspective view of the beverage vessel with lid in an open configuration.

1 Claim, 7 Drawing Sheets

- (56) **References Cited**
U.S. PATENT DOCUMENTS
D412,640 S * 8/1999 Much D7/392
D512,874 S * 12/2005 Poulson D7/510



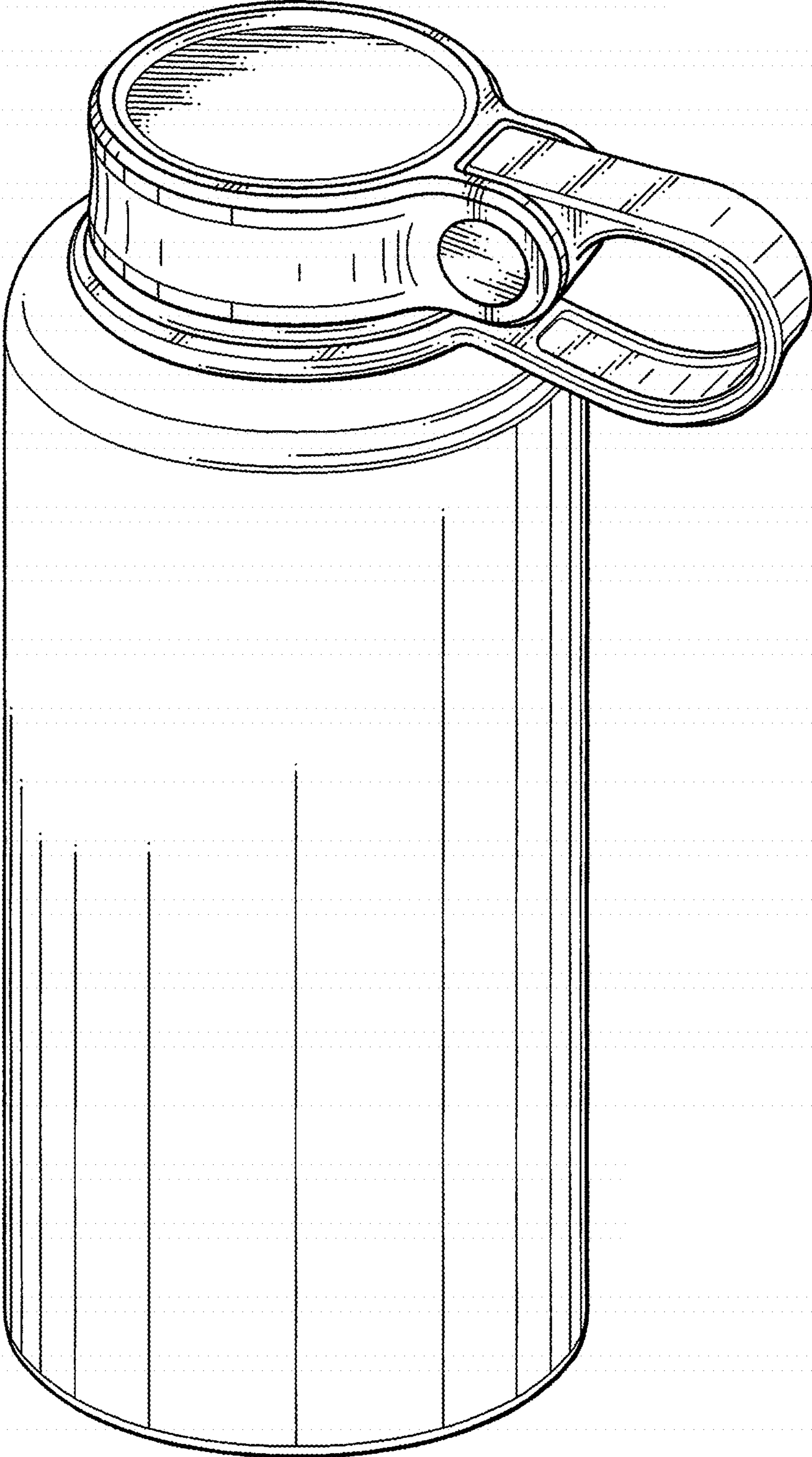


FIG. 1

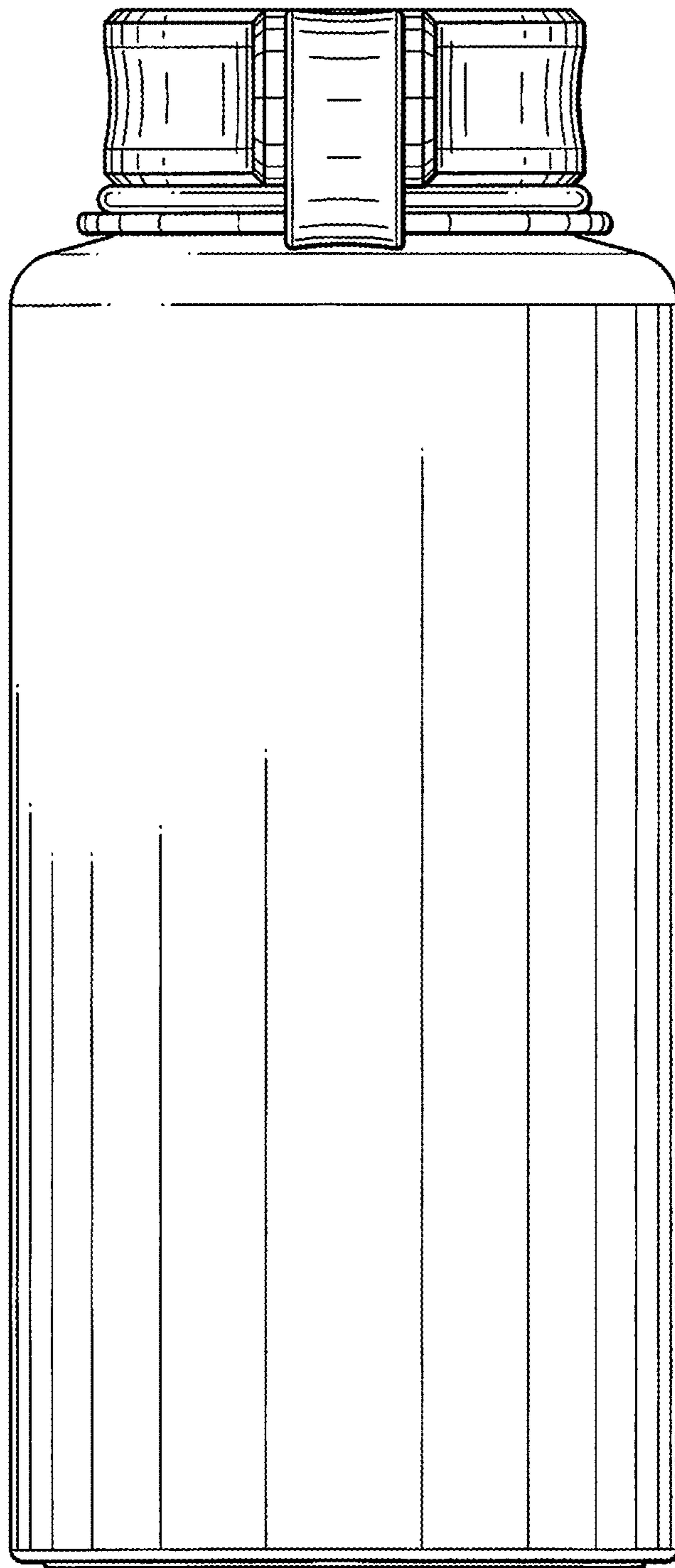


FIG. 2

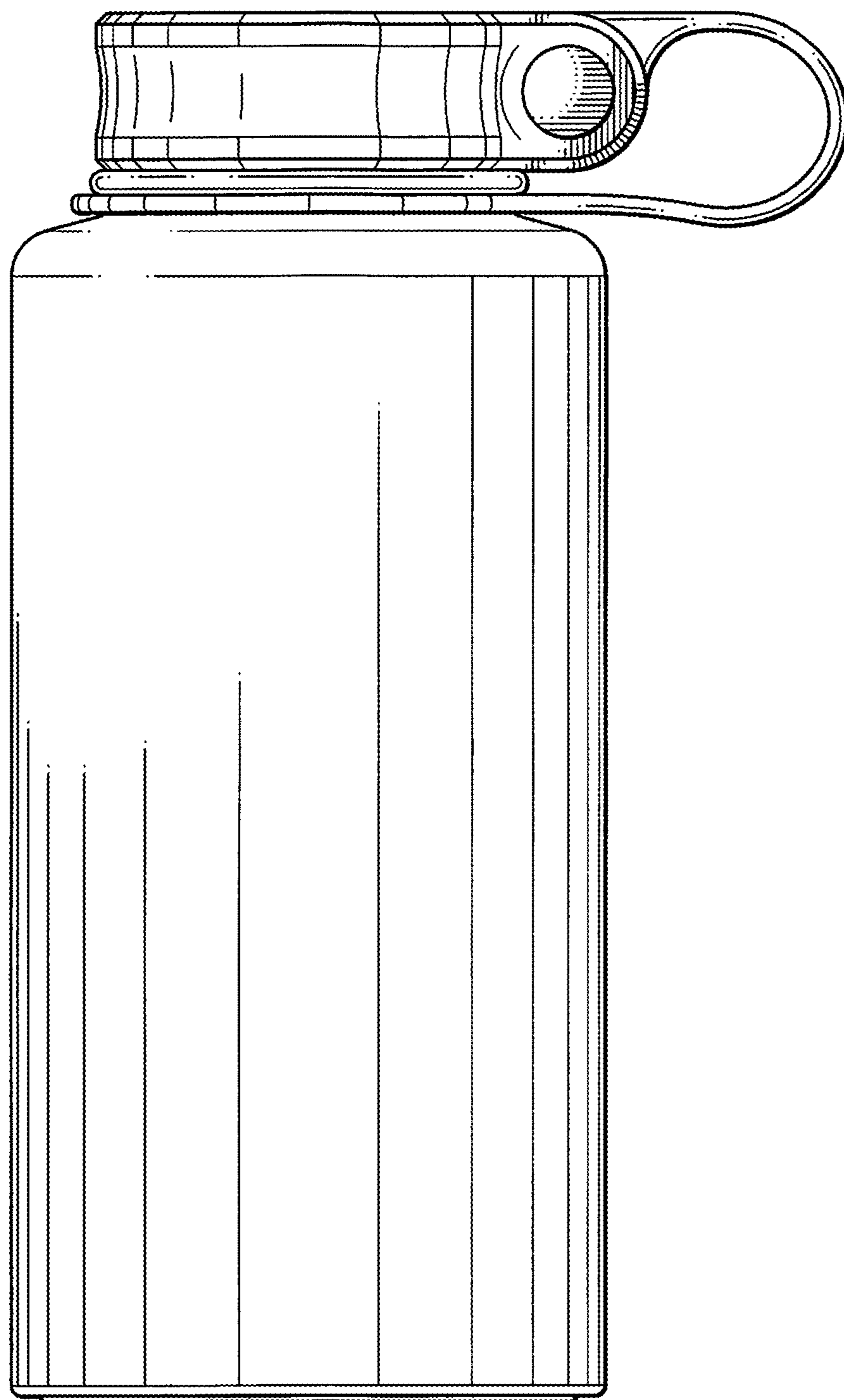


FIG. 3

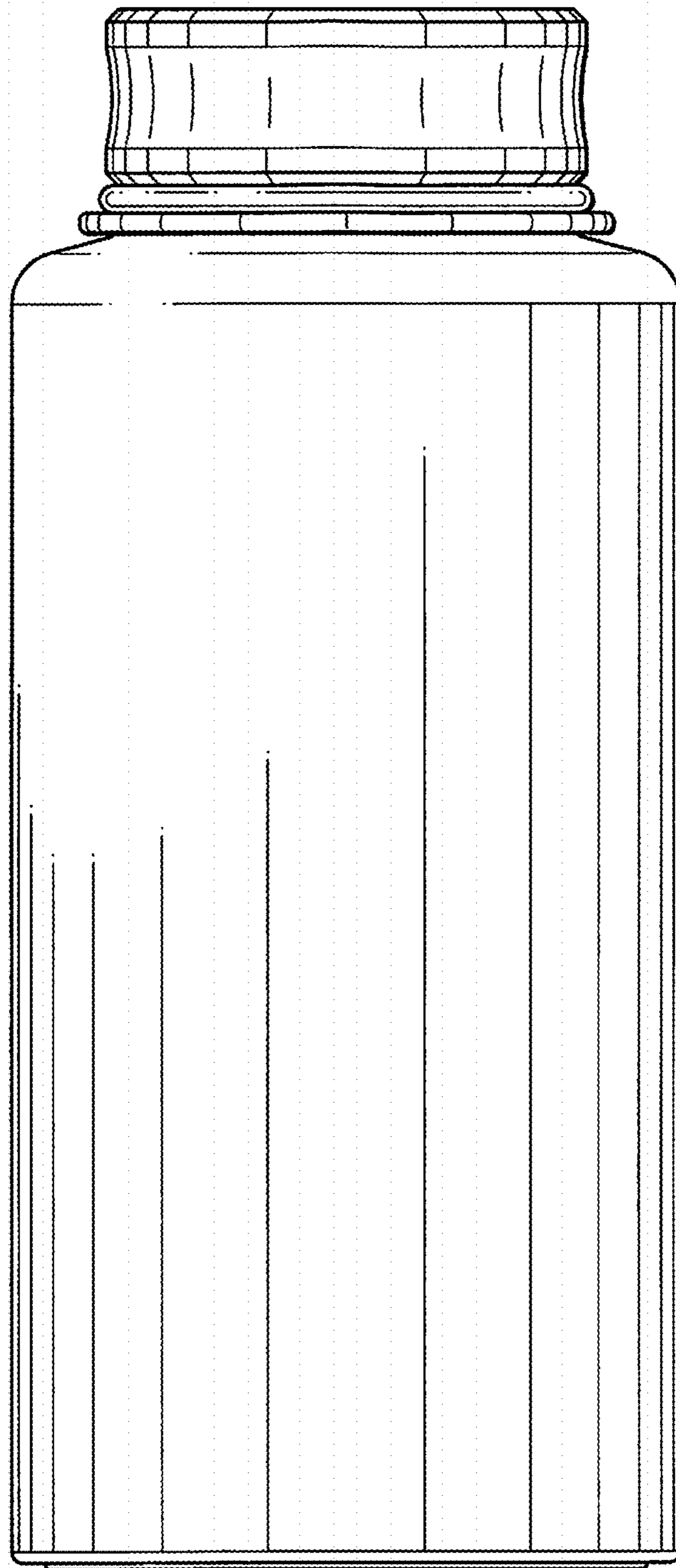


FIG. 4

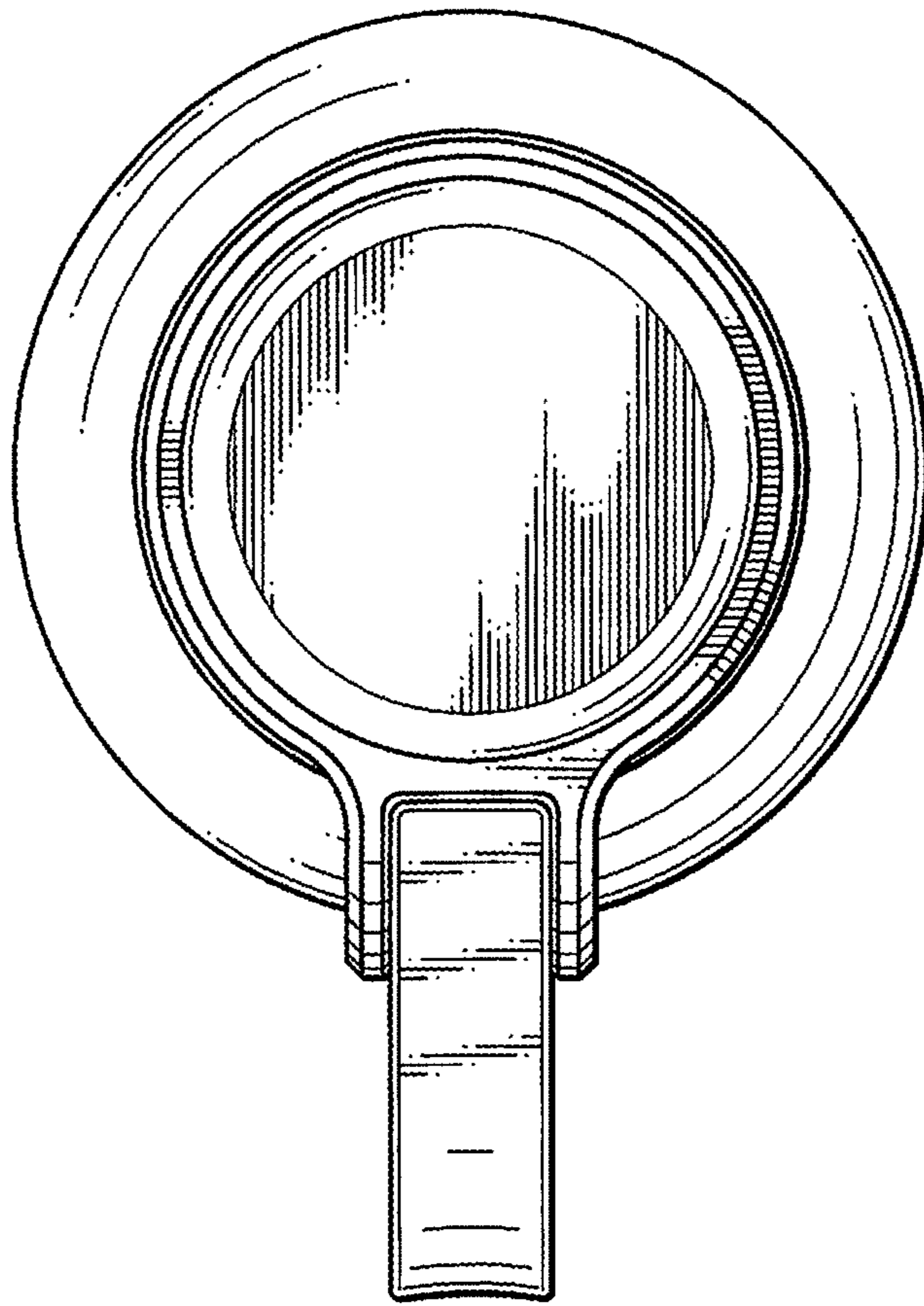


FIG. 5

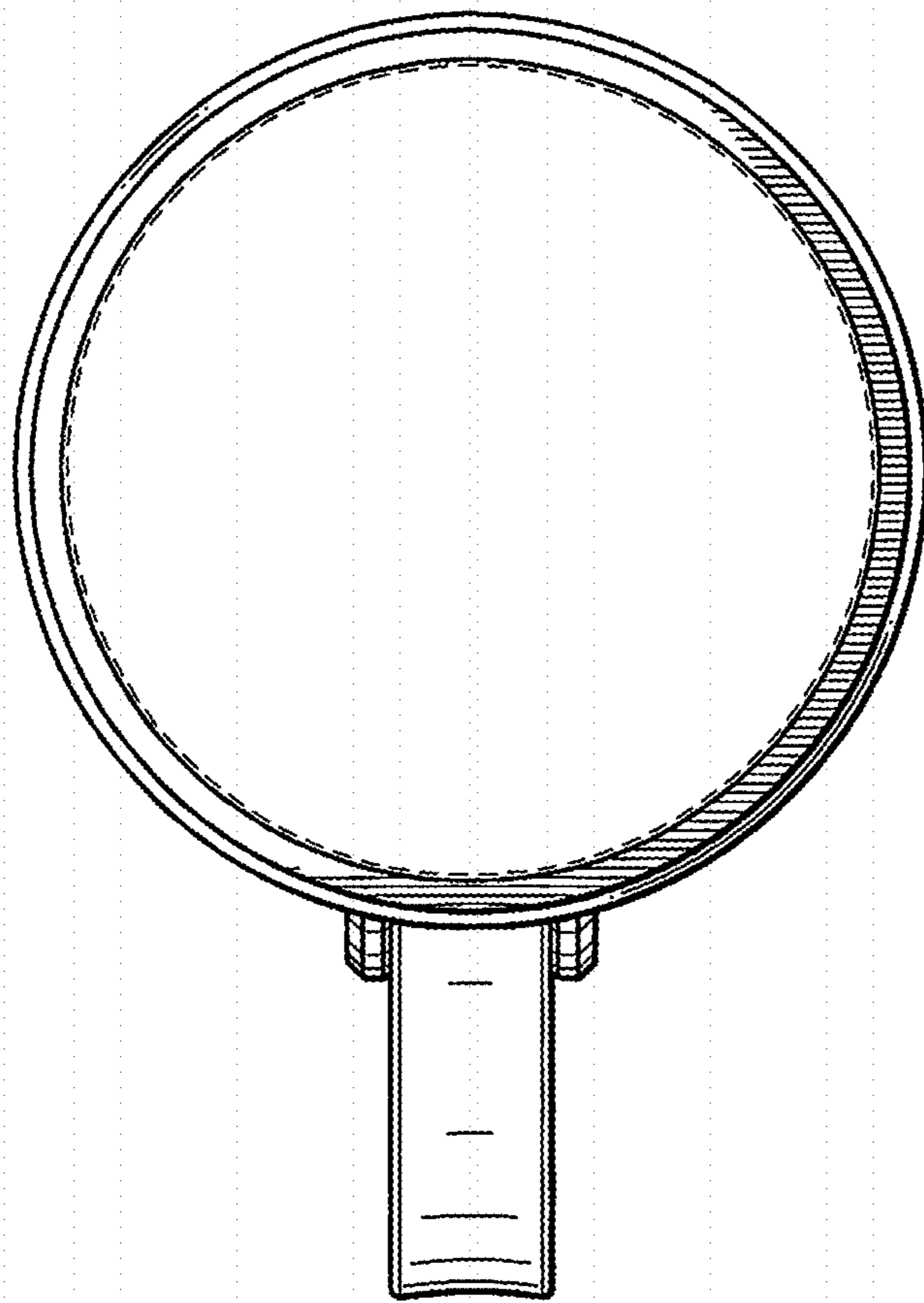


FIG. 6

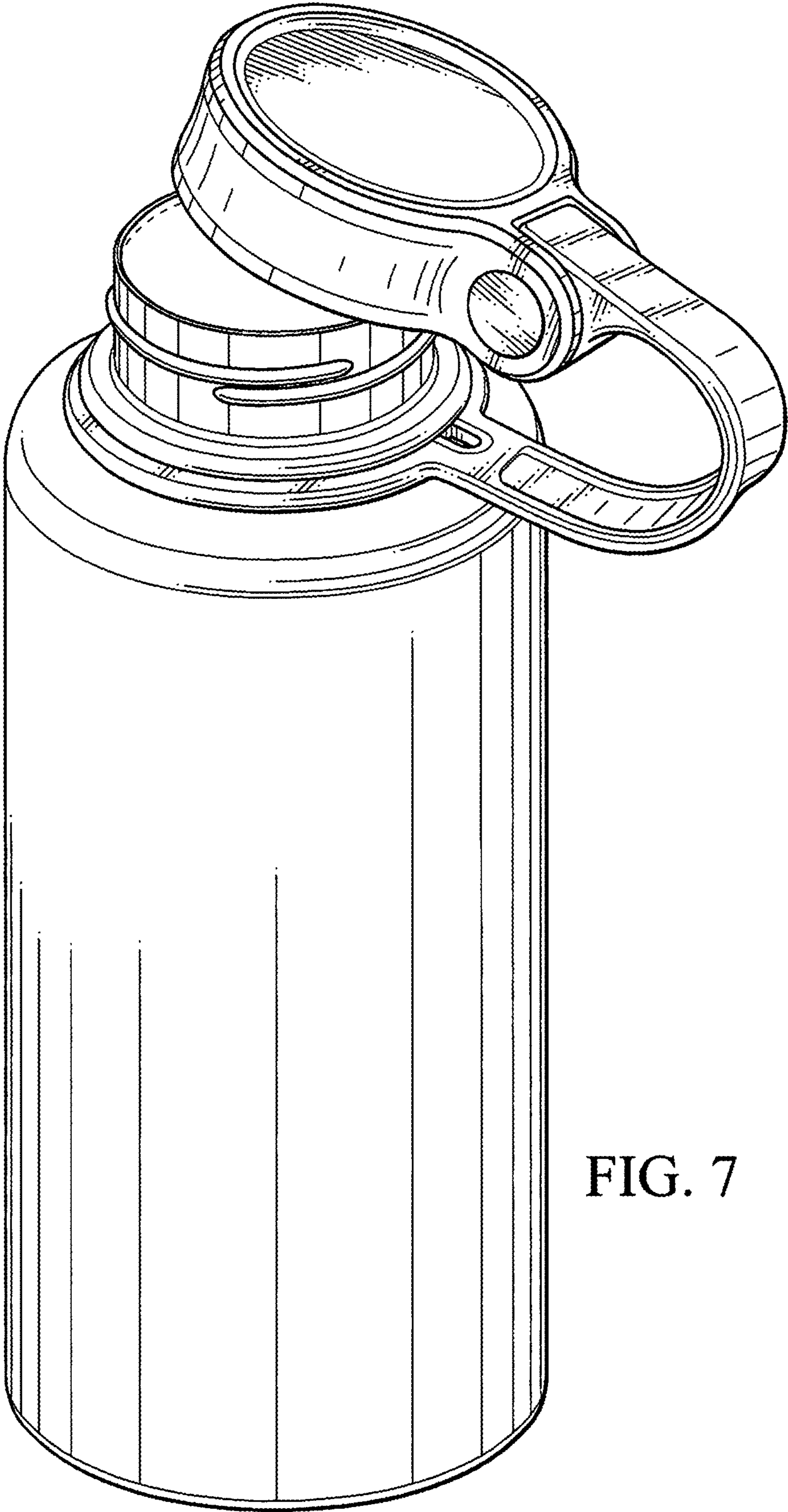


FIG. 7