



US00D828722S

(12) **United States Design Patent** (10) **Patent No.:** **US D828,722 S**
Davis (45) **Date of Patent:** **** *Sep. 18, 2018**

(54) **BEVERAGE CONTAINER**

(71) Applicant: **Ignite USA, LLC**, Chicago, IL (US)

(72) Inventor: **Chad Davis**, Oak Park, IL (US)

(73) Assignee: **Ignite USA, LLC**, Chicago, IL (US)

(*) Notice: This patent is subject to a terminal disclaimer.

(**) Term: **15 Years**

(21) Appl. No.: **29/588,418**

(22) Filed: **Dec. 20, 2016**

(51) **LOC (11) Cl.** **07-01**

(52) **U.S. Cl.**
USPC **D7/510; D7/531; D7/532**

(58) **Field of Classification Search**
USPC D7/507, 509, 510, 511, 523, 529, 530, D7/531, 532, 533, 536, 608, 598, 300.1, D7/320, 629, 392.1, 396.2, 396.6, 387, D7/667; D9/435, 436, 443, 452, 453, D9/447, 440, 503; 220/592.16, 592.17, 220/705, 495.03; 215/381; D3/202
CPC A47G 19/22; A47G 19/2205; A47G 19/2211; A47G 19/2266; A47G 19/2272; A45F 3/16; B65D 47/066
See application file for complete search history.

(56) **References Cited**

U.S. PATENT DOCUMENTS

D458,138 S * 6/2002 Fuchs D9/453
D566,559 S * 4/2008 Swint D9/504

D586,184 S * 2/2009 Miller D7/511
D611,811 S * 3/2010 Gilbert D9/443
D638,658 S * 5/2011 Staton D7/392
D767,336 S * 9/2016 Waggoner D7/507
D781,104 S * 3/2017 Cerasani D7/300.1
D791,542 S * 7/2017 Miksovsky D7/510
D792,216 S * 7/2017 Breit D9/443

* cited by examiner

Primary Examiner — Marianne Pandozzi

Assistant Examiner — Jae Liang

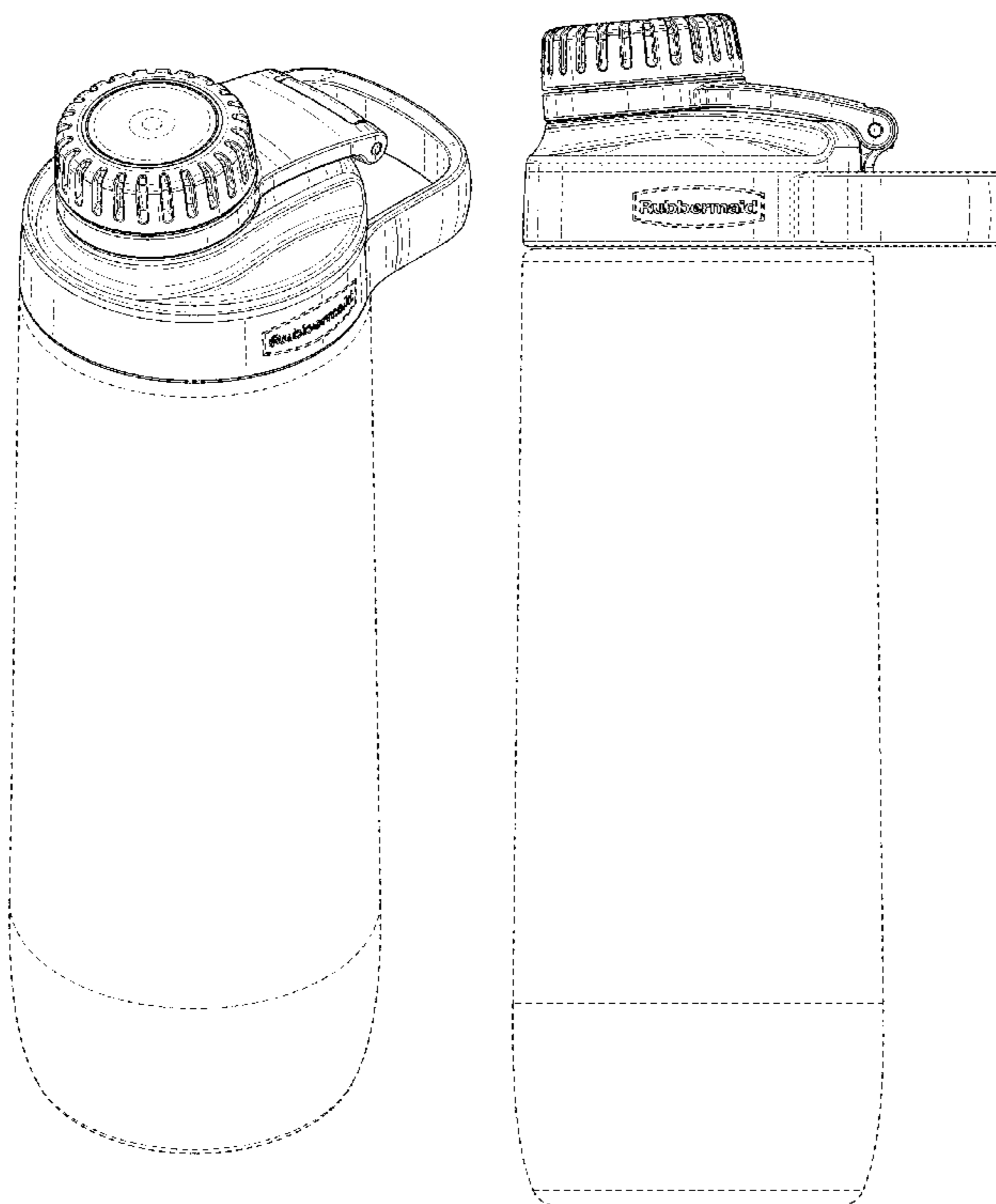
(57) **CLAIM**

The ornamental design for a beverage container, as shown and described.

DESCRIPTION

FIG. 1 is a top perspective view of a beverage container showing a new design;
FIG. 2 is a front view thereof;
FIG. 3 is a rear view thereof;
FIG. 4 is a left side view thereof;
FIG. 5 is a right side view thereof;
FIG. 6 is a top view thereof; and,
FIG. 7 is a bottom view thereof.
The broken lines in the drawing depict portions of the beverage container that form no part of the claimed design.

1 Claim, 7 Drawing Sheets



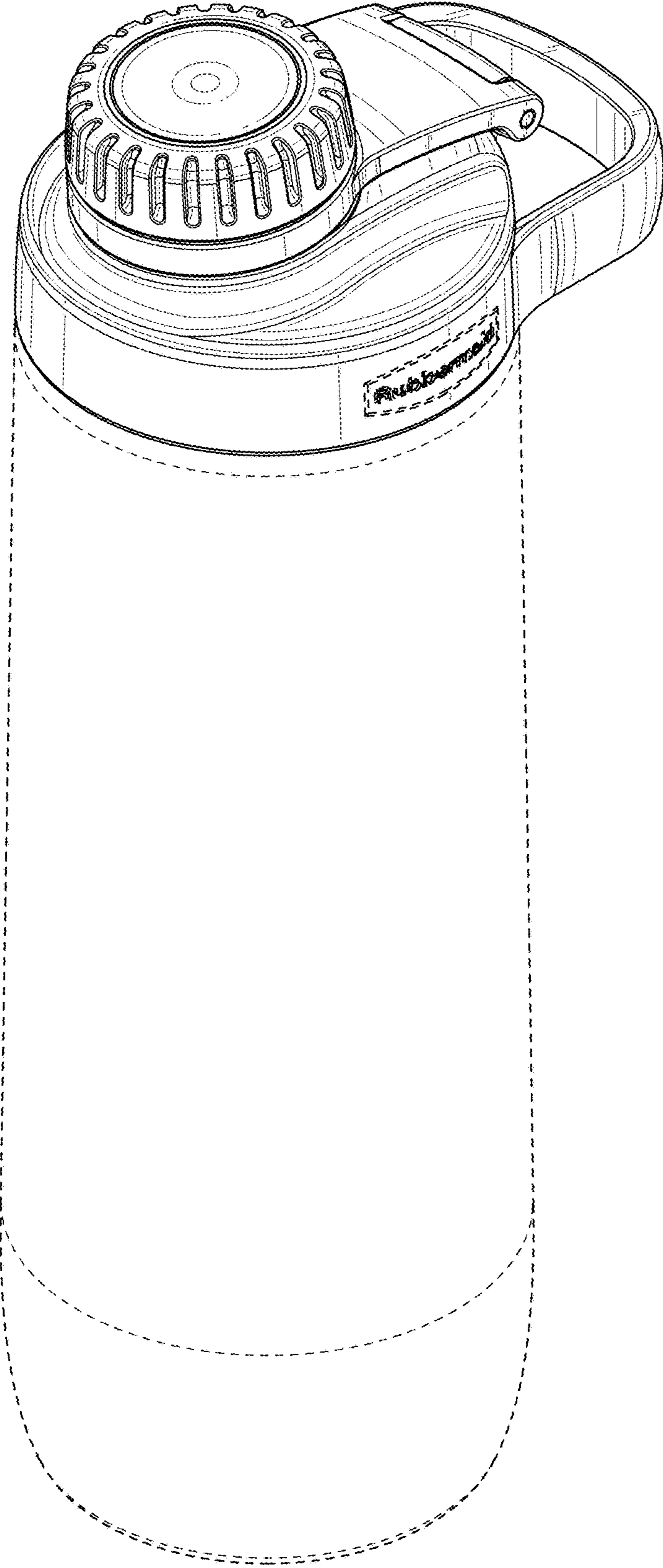


FIG. 1

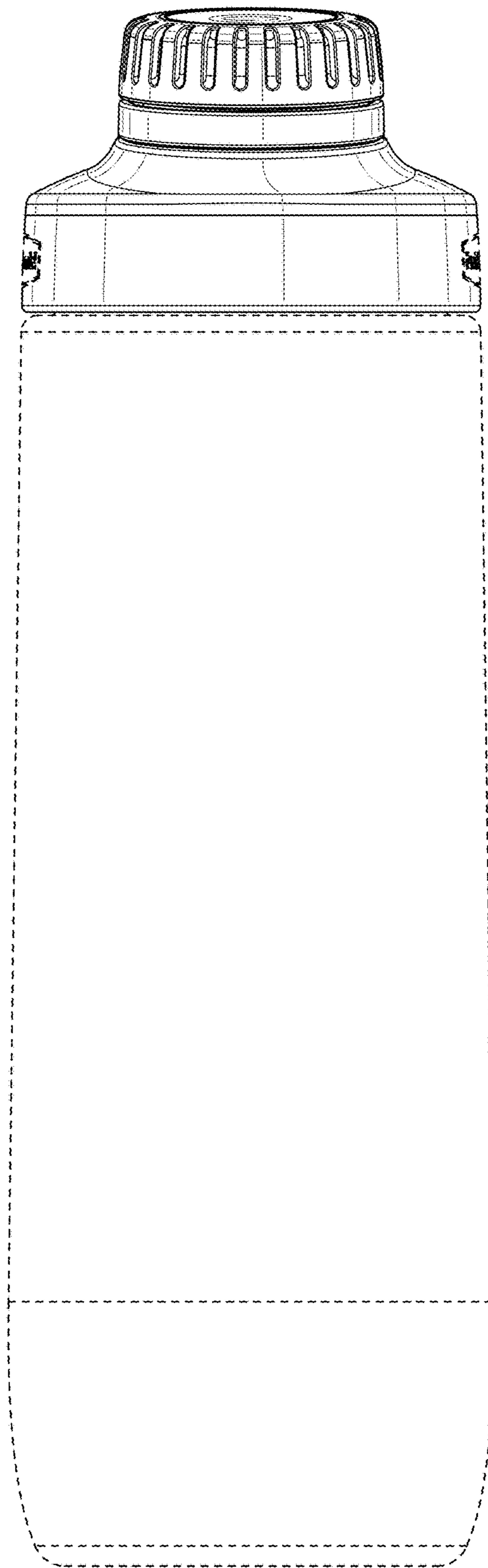


FIG. 2

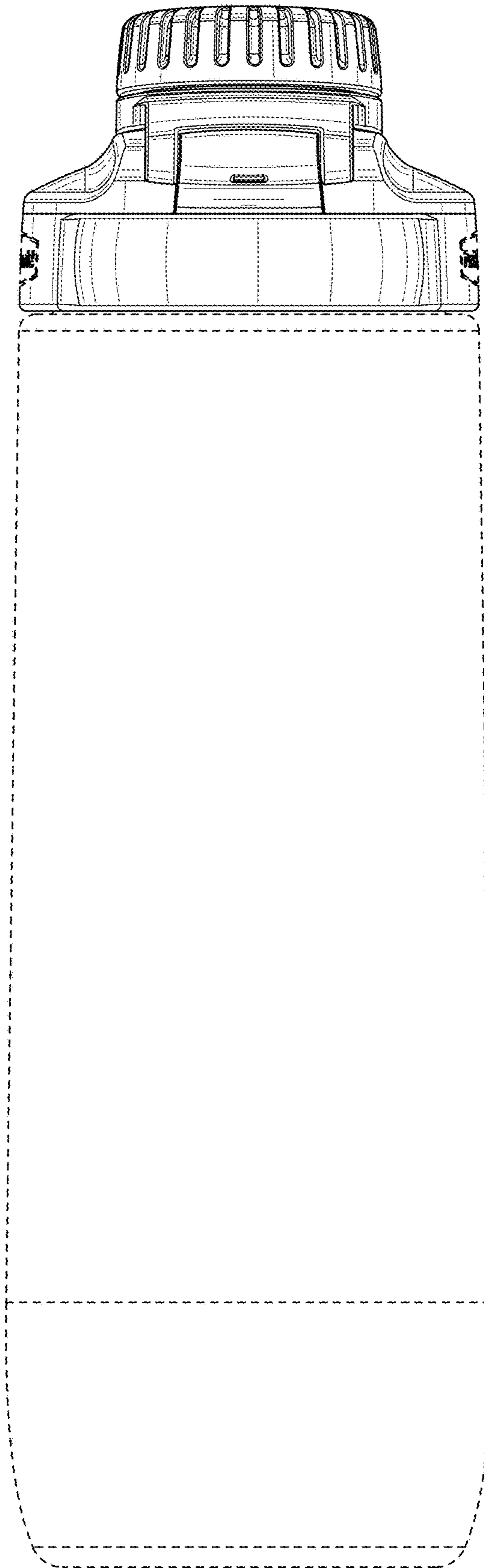


FIG. 3



FIG. 4

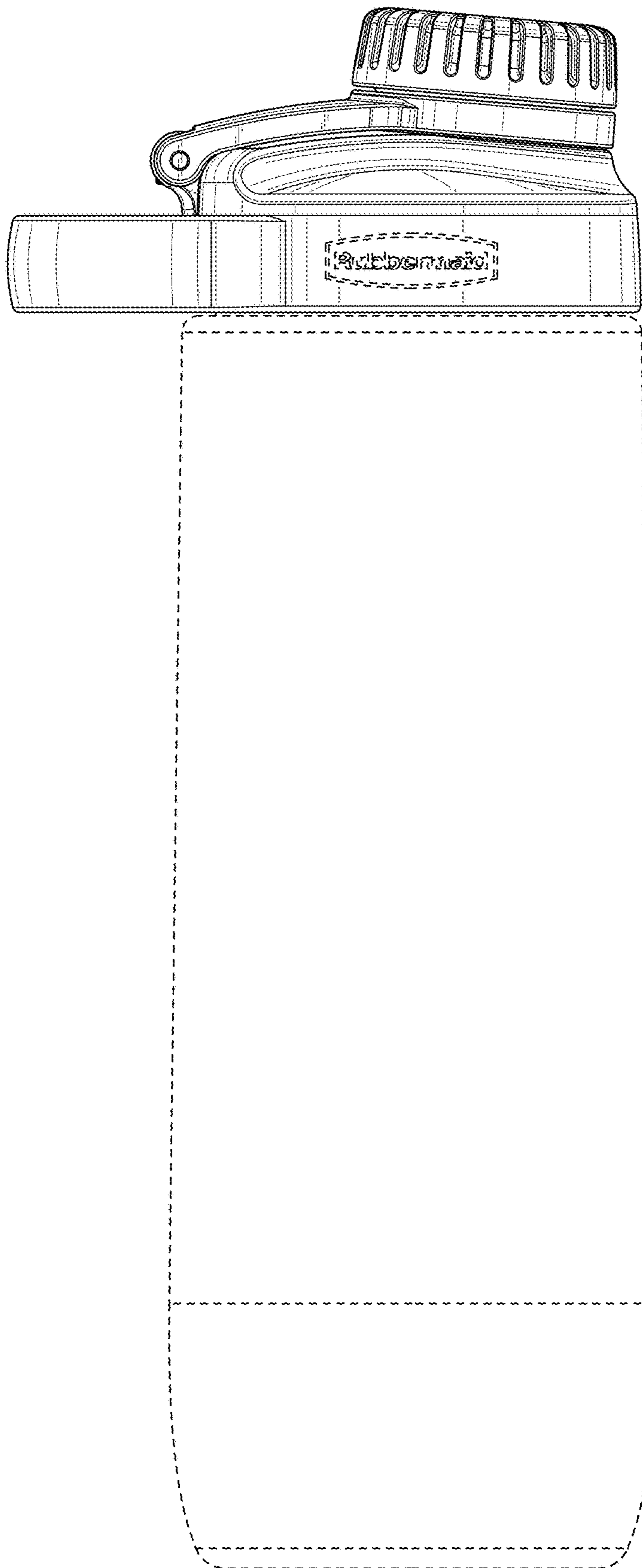


FIG. 5

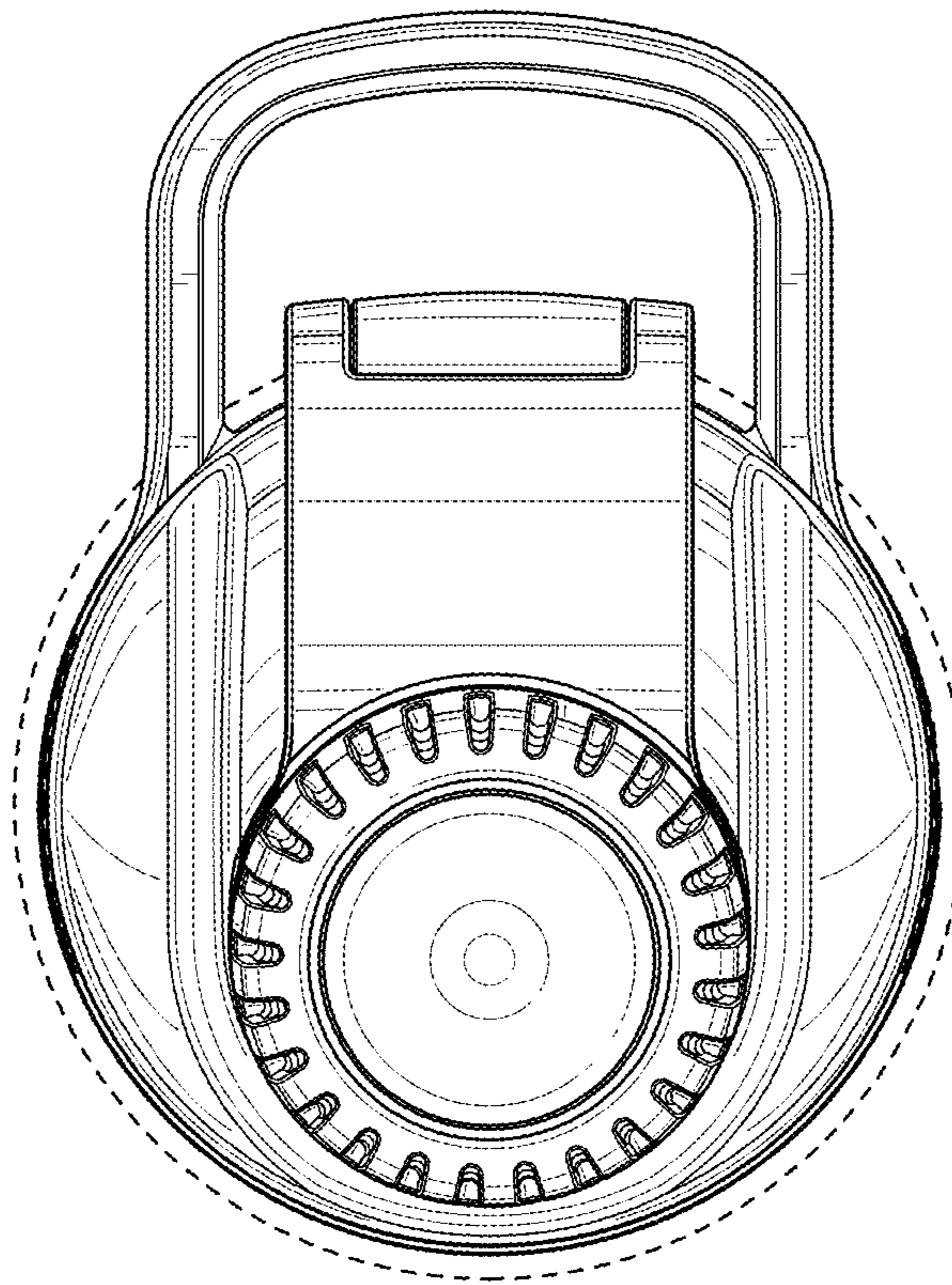


FIG. 6

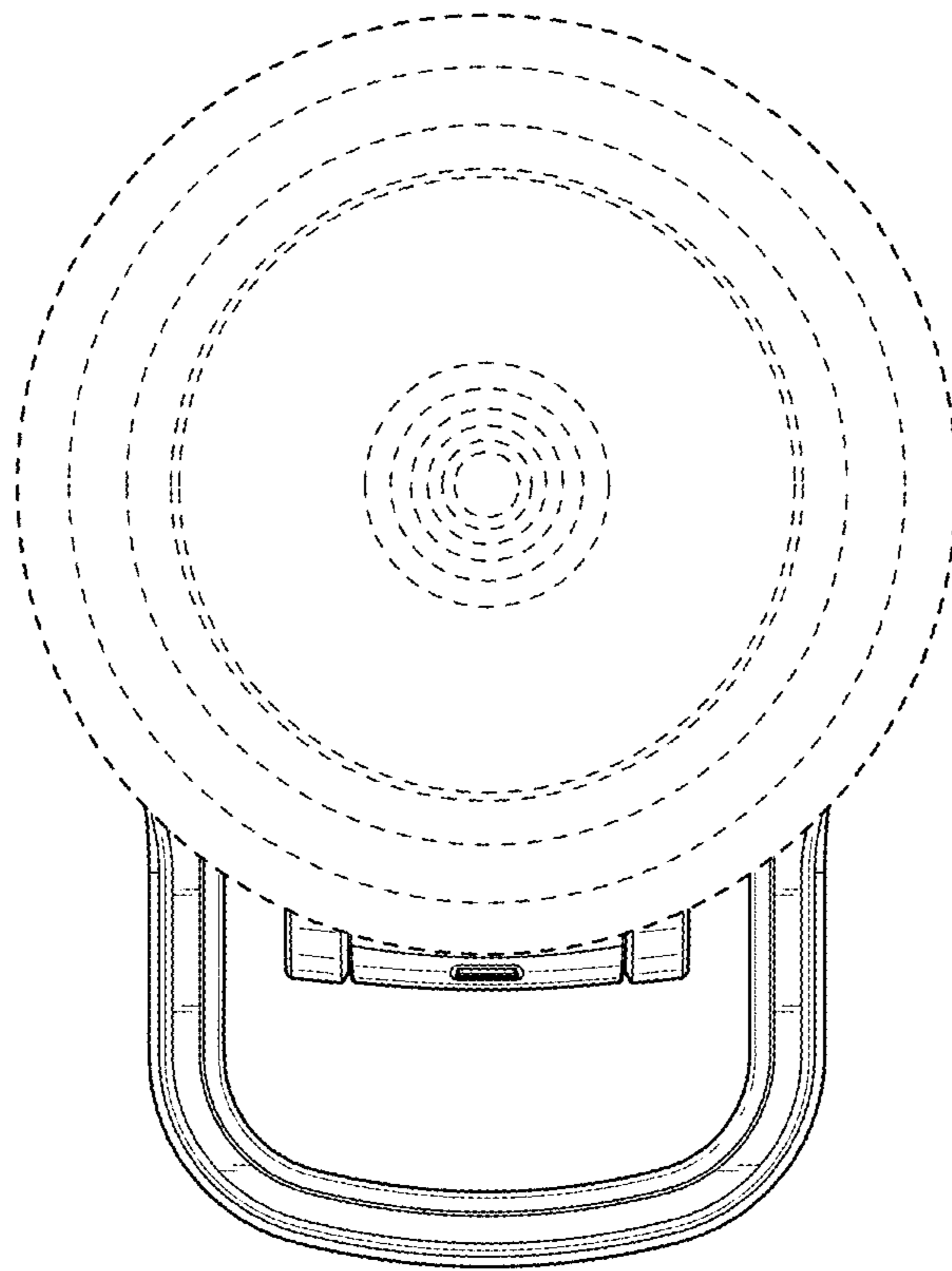


FIG. 7