



US00D828720S

(12) **United States Design Patent**
Cheveldayoff

(10) **Patent No.:** **US D828,720 S**

(45) **Date of Patent:** **** Sep. 18, 2018**

(54) **WATER BOTTLE**

(71) Applicant: **Blaire Cheveldayoff**, Surrey (CA)

(72) Inventor: **Blaire Cheveldayoff**, Surrey (CA)

(**) Term: **15 Years**

(21) Appl. No.: **29/569,290**

(22) Filed: **Jun. 24, 2016**

(51) **LOC (11) Cl.** **07-01**

(52) **U.S. Cl.**
USPC **D7/507; D7/513; D7/514; D7/532;**
D23/266

(58) **Field of Classification Search**

USPC **D7/505, 507, 509, 510, 511, 512, 523,**
D7/532, 533, 536, 396.6, 387, 320, 321,
D7/300.2, 213, 513, 514; D3/202;
D24/197; D9/695, 698, 522, 454, 439,
D9/435, 434, 436; D23/266; 220/495.03,
220/705; 215/397, 396
CPC **B65D 47/066; A47G 19/2272; A47G**
19/2205; A47G 19/2266
See application file for complete search history.

(56) **References Cited**

U.S. PATENT DOCUMENTS

2,780,378 A * 2/1957 Romano A61J 9/005
215/11.1
3,409,224 A * 11/1968 Harp A47G 21/186
138/121
D237,047 S * 10/1975 James D3/202
3,939,888 A * 2/1976 Scarnato B65D 1/0292
206/218
D258,188 S * 2/1981 Wilson D7/507
5,072,935 A * 12/1991 McWain A63B 21/0602
224/148.1
D340,838 S * 11/1993 Lingo D7/523
D370,388 S * 6/1996 Cusick D24/115

5,688,121 A * 11/1997 Davis A61C 17/043
433/91
D401,344 S * 11/1998 Bonds D24/197
5,934,522 A * 8/1999 Canela B65D 25/44
141/337
D469,307 S * 1/2003 Lipson D7/507
6,581,811 B1 * 6/2003 Schillaci A45F 3/16
220/666
D483,225 S * 12/2003 Gain D7/512
D504,280 S * 4/2005 Chuang D7/530
D611,576 S * 3/2010 Tokuno D23/266
D631,698 S * 2/2011 Marsh D7/510
D658,008 S * 4/2012 Wahl D7/510
D664,250 S * 7/2012 Scheiner D24/110.1
D672,440 S * 12/2012 Mears D23/266
D677,123 S * 3/2013 Kemp D3/202
D705,434 S * 5/2014 Spinetti D24/197
8,727,187 B2 * 5/2014 Magley, II B65D 47/32
222/481.5
D731,896 S * 6/2015 Lederer D9/683
D767,737 S * 9/2016 Kuykendall D23/266
D776,534 S * 1/2017 Stratton D7/300.2

(Continued)

Primary Examiner — Marianne Pandozzi

Assistant Examiner — Jae Liang

(74) *Attorney, Agent, or Firm* — Richard D. Okimaw

(57) **CLAIM**

The ornamental design for a water bottle, as shown and described.

DESCRIPTION

FIG. 1 is a front perspective view of a water bottle in its closed position showing my new design;

FIG. 2 is a front perspective view thereof in its open position;

FIG. 3 is a front view of FIG. 1;

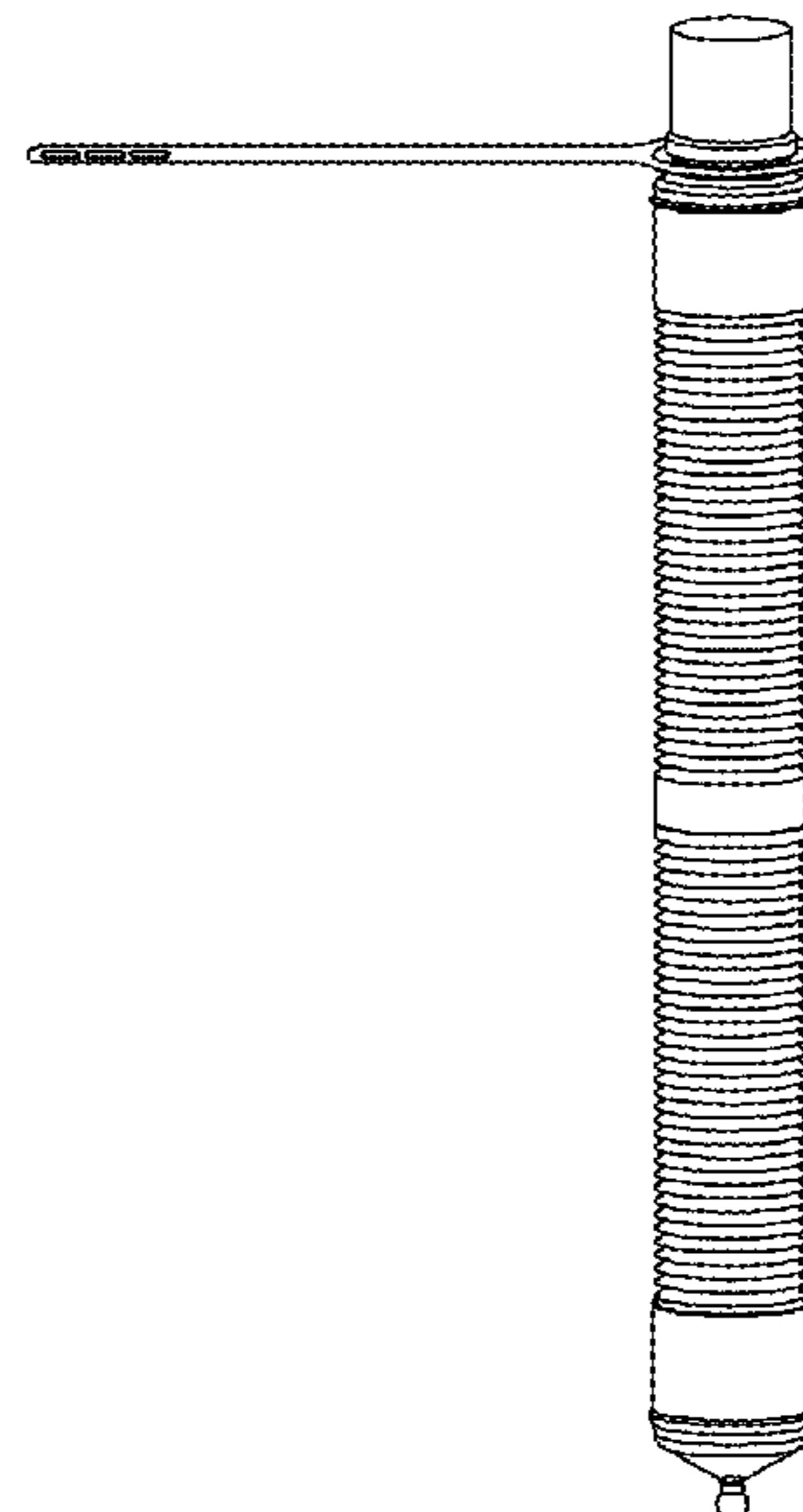
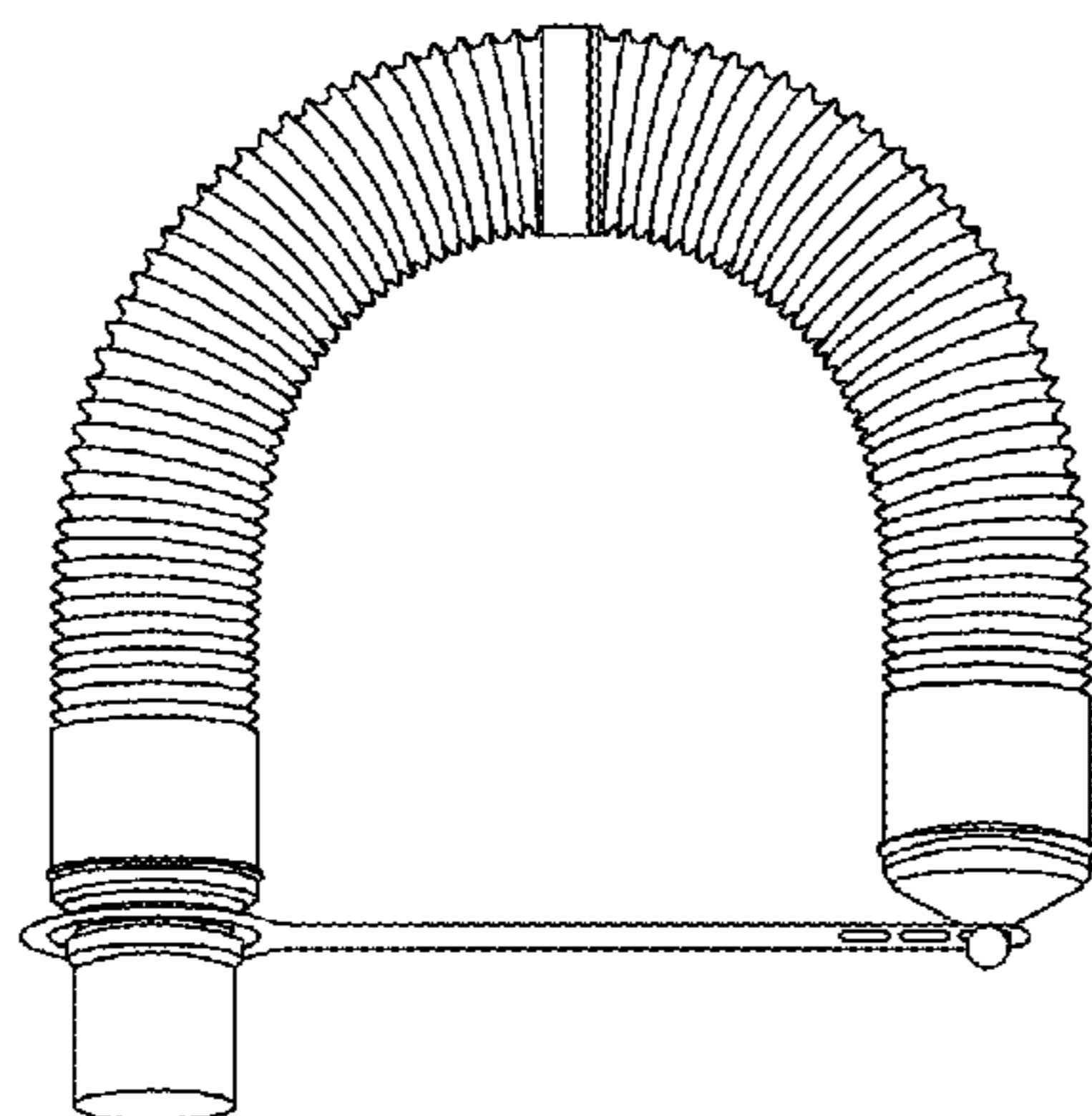
FIG. 4 is an enlarged bottom view of FIG. 1;

FIG. 5 is an enlarged top view of FIG. 1;

FIG. 6 is an enlarged left view of FIG. 1; and,

FIG. 7 is an enlarged right view of FIG. 1.

1 Claim, 2 Drawing Sheets



(56)

References Cited

U.S. PATENT DOCUMENTS

2007/0000933 A1* 1/2007 Wang A47G 19/2266
220/709
2009/0241961 A1* 10/2009 McAuley A61M 16/06
128/205.25

* cited by examiner

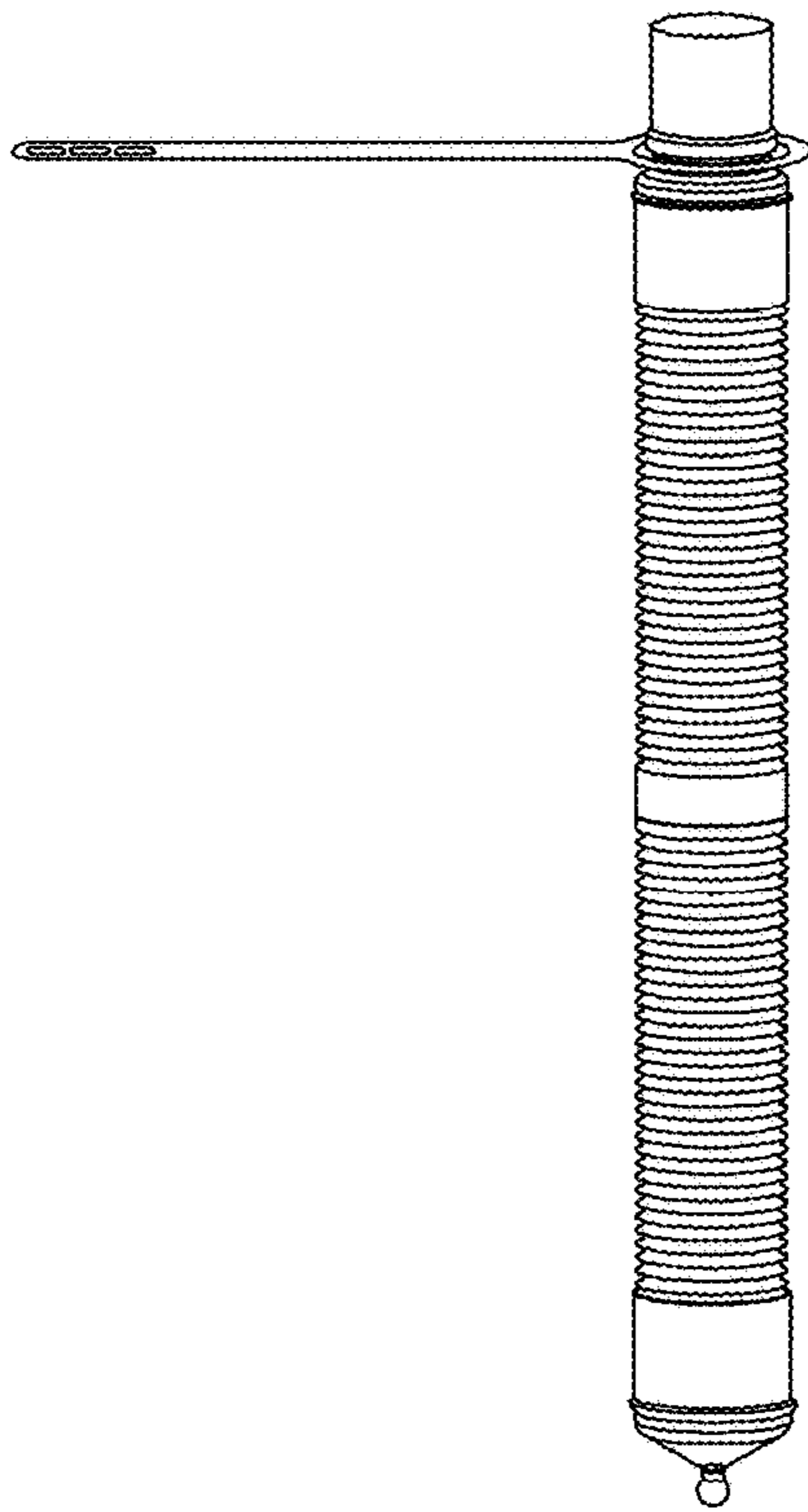


FIG. 2

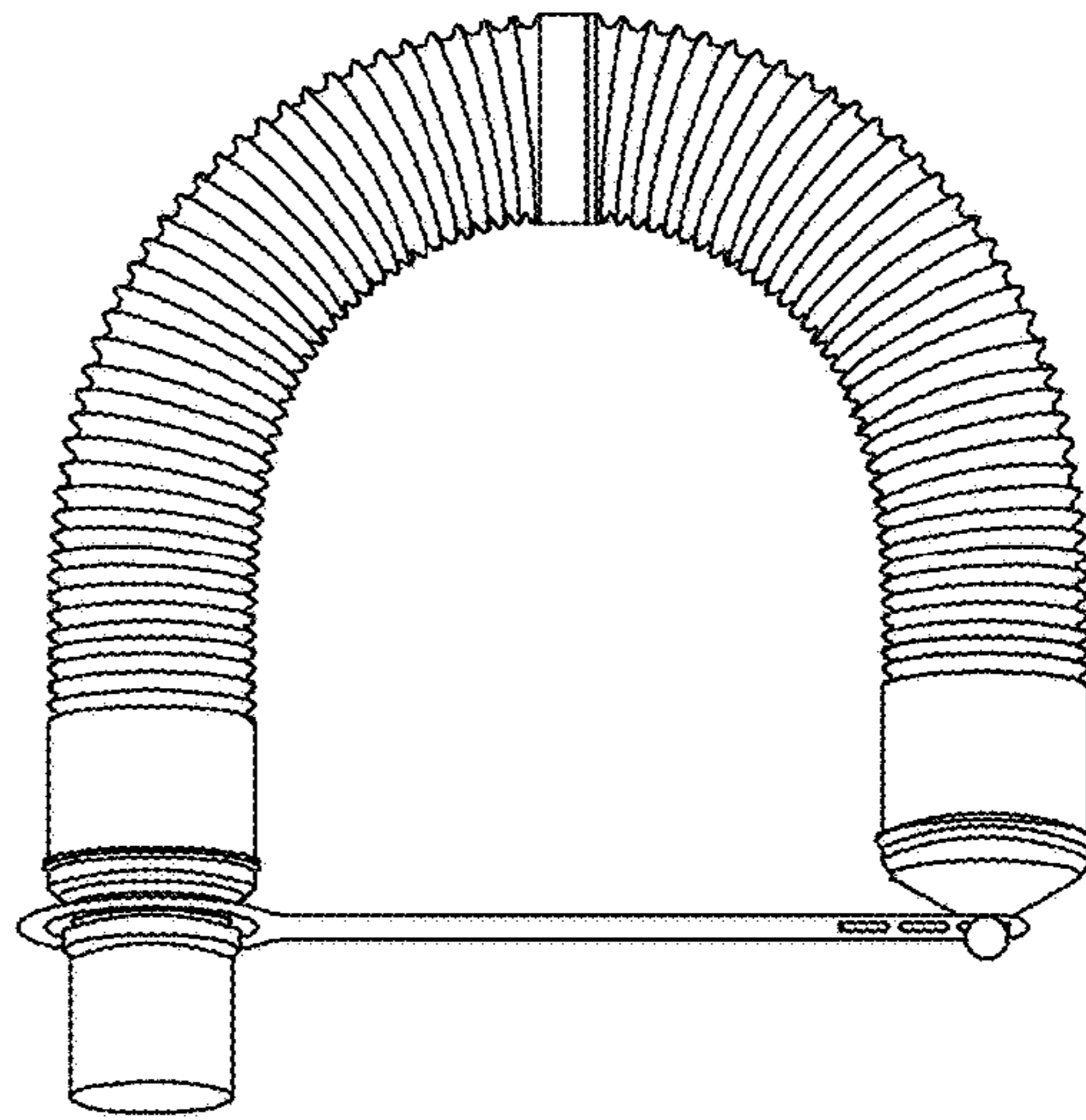


FIG. 1

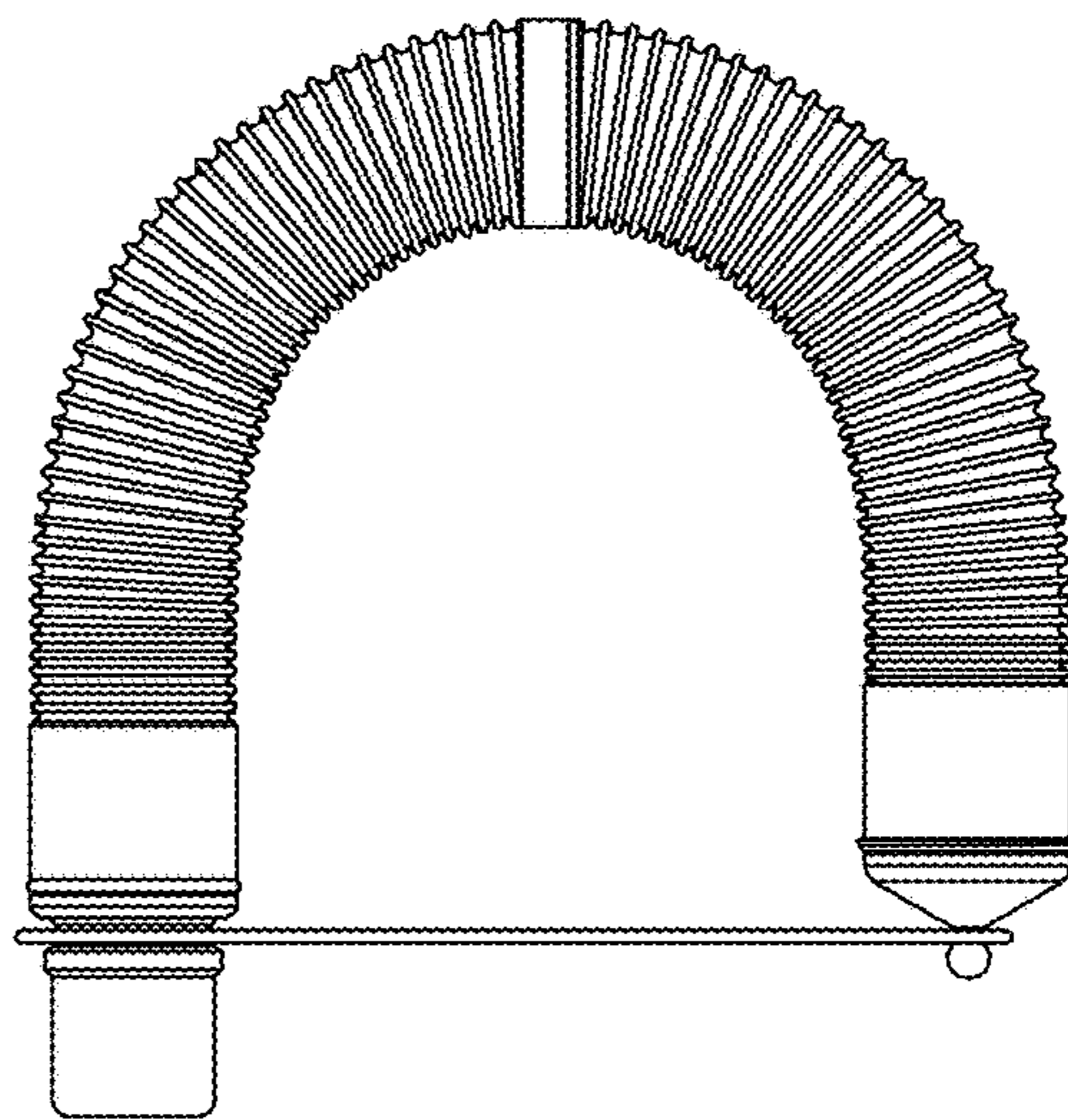


FIG. 3

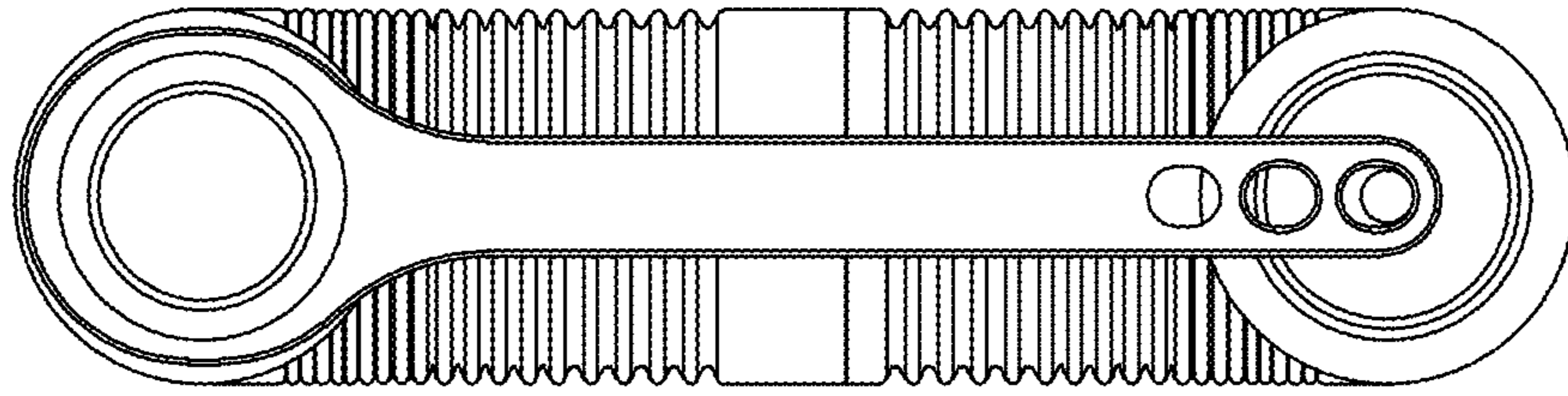


FIG. 4

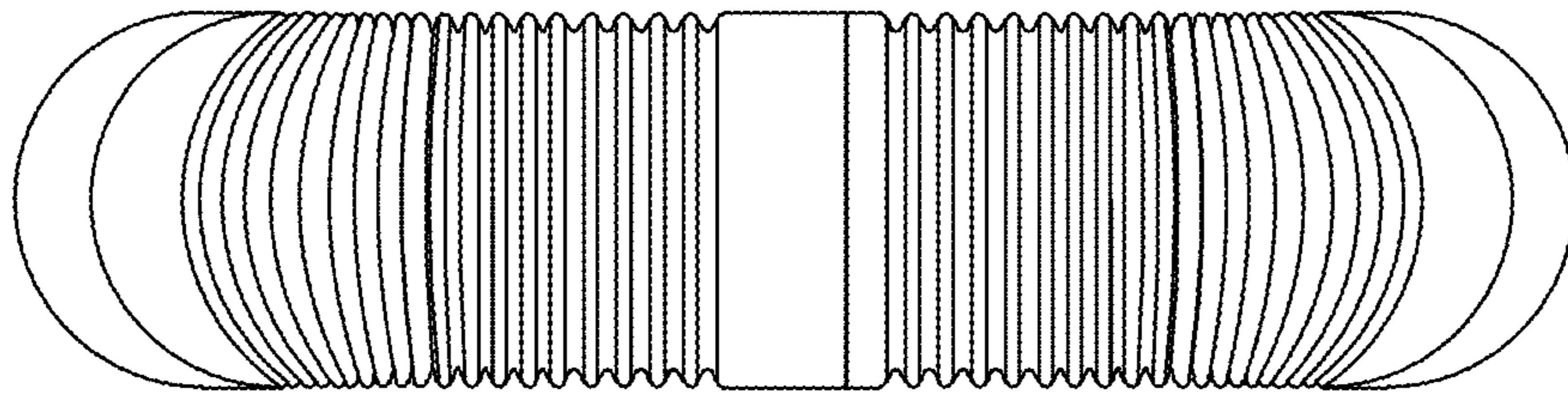


FIG. 5

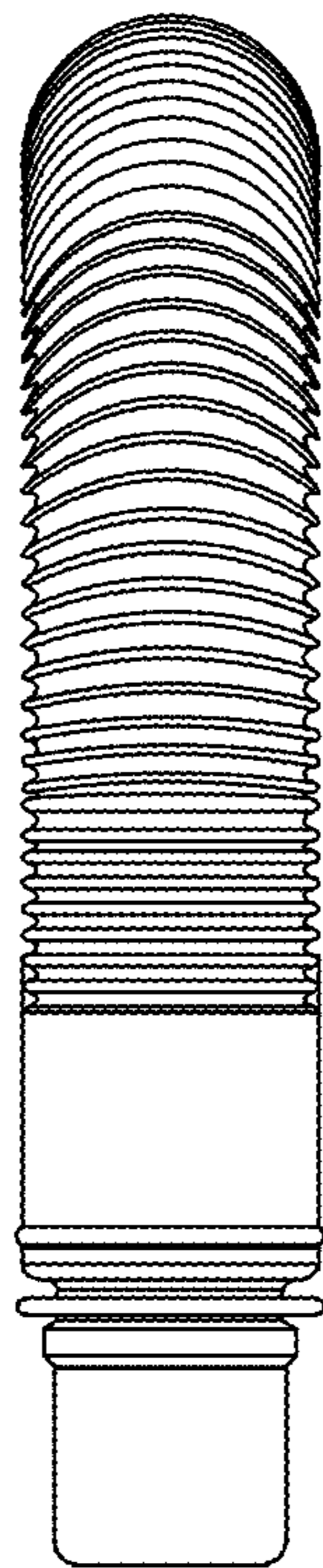


FIG. 6

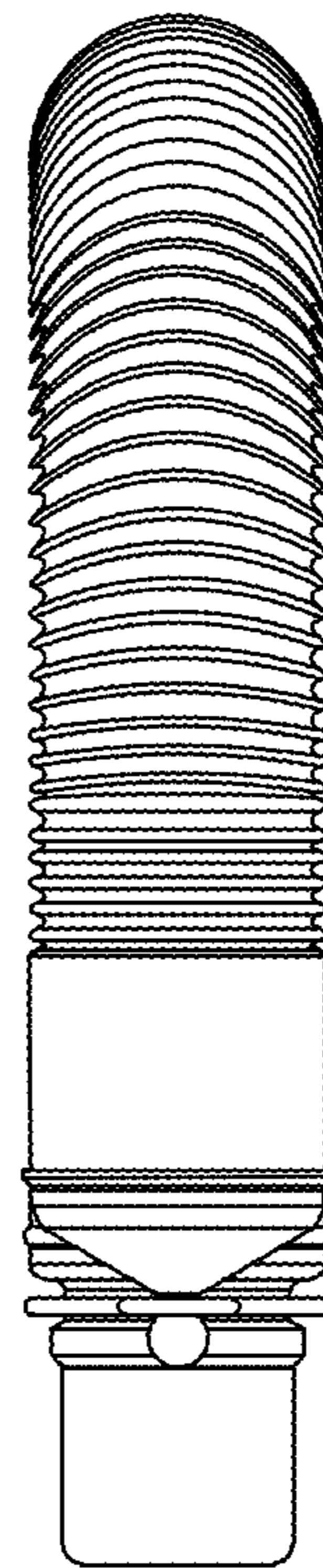


FIG. 7