



US00D828717S

(12) **United States Design Patent** (10) **Patent No.:** **US D828,717 S**
Zhang (45) **Date of Patent:** **** Sep. 18, 2018**

(54) **SQUARE LID WITH VENT FOR FOOD CONTAINER**

(71) Applicant: **Ailtec Household Products, Inc.**,
Arcadia, CA (US)

(72) Inventor: **Jian Zhong Zhang**, Handan (CN)

(**) Term: **15 Years**

(21) Appl. No.: **29/574,695**

(22) Filed: **Aug. 18, 2016**

(51) **LOC (11) Cl.** **07-01**

(52) **U.S. Cl.**

USPC **D7/392.1**

(58) **Field of Classification Search**

USPC D7/354, 360, 391, 392, 392.1, 396.1,
D7/511, 538, 542, 602, 629, 705;
D9/424, 430, 435, 443, 452, 454

CPC B65D 2543/00712; B65D 45/16

See application file for complete search history.

(56) **References Cited**

U.S. PATENT DOCUMENTS

6,793,096	B1 *	9/2004	Seok	B65D 43/0218
					220/326
D499,931	S *	12/2004	Kim	D7/392.1
D536,571	S *	2/2007	Kim	D7/391
D537,293	S *	2/2007	Ho	D7/392.1
D590,666	S *	4/2009	Wang	D7/629
D675,057	S *	1/2013	Harvey	D7/391
D704,503	S *	5/2014	Manley	D7/391
D770,847	S *	11/2016	Stamper	D7/392
9,648,669	B2 *	5/2017	Lindsay	A47J 36/10
2004/0084464	A1 *	5/2004	Koo	B65D 43/0218
					220/784
2008/0110911	A1 *	5/2008	Chen	B65D 81/2038
					220/788
2009/0321462	A1 *	12/2009	Hui	B65D 43/021
					220/780
2014/0217101	A1 *	8/2014	Wang	B65D 45/00
					220/324

OTHER PUBLICATIONS

“VonShef 7 Piece Microwavable Glass Container Storage Set with Air Vent Lids”. Found online Aug. 28, 2017 at amazon.com. Page dated Jun. 14, 2016. Retrieved from <https://www.amazon.com/VonShef-Piece-Microwavable-Container-Storage/dp/B01H1SQFUW>.*

“Vremi 18pc Glass Food Storage Containers with Locking Lids”. Found online Jul. 6, 2017 at amazon.com. Page dated Sep. 26, 2016. Retrieved from https://www.amazon.com/...TF8&pd_rd_i=B01LYMUSOF&pd_rd_r=R6B6Z9SC9AENMKN23DMS&pd_rd_w=925r3&pd_rd_wg=DadFT&psc=1&refRID=R6B6Z9SC9AENMKN23DMS.*

(Continued)

Primary Examiner — George D. Kirschbaum

Assistant Examiner — Kendra Leslie Hamilton

(74) *Attorney, Agent, or Firm* — Wayne & Ken, LLC;
Tony Hom

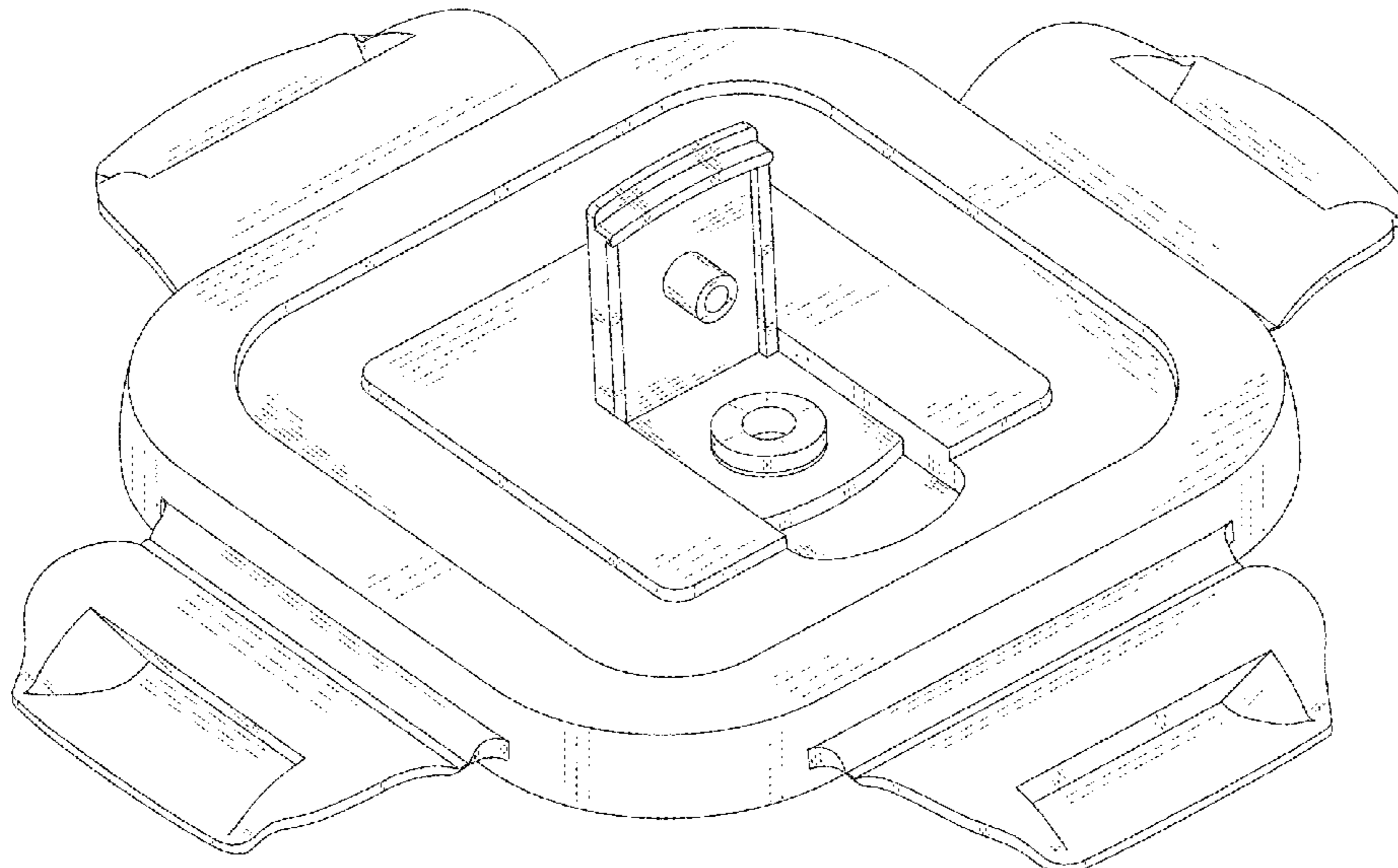
(57) **CLAIM**

I claim the ornamental design of a square lid with vent for food container, as shown and described.

DESCRIPTION

FIG. 1 is a top plan view of a square lid with vent for food container showing my new design;
FIG. 2 is a bottom plan view thereof;
FIG. 3 is a right side elevation view thereof;
FIG. 4 is a left side elevation view thereof;
FIG. 5 is a rear elevation view thereof;
FIG. 6 is a front elevation view thereof; and,
FIG. 7 is a top, front perspective view thereof.
The broken lines shown in the figures depict portions of the square lid with vent for food container that forms no part of the claimed design.

1 Claim, 7 Drawing Sheets



(56)

References Cited

OTHER PUBLICATIONS

“VonShef 5 Piece Glass Container Food Storage Set with Lids”. Found online Aug. 28, 2017 at amazon.co.uk. Page dated Aug. 19, 2015. Retrieved from <https://www.amazon.co.uk/VonShef-Piece-Glass-Container-Storage/dp/B0144V5UIM>.*

“Wean Green Glass Baby Food Storage Containers, Wean Cube”. Found online Jun. 26, 2017 at amazon.com. Page dated Nov. 8, 2010. Retrieved from https://www.amazon.com/Wean-Green-Storage-Containers-Ounces/dp/B005E7K3LU/ref=sr_1_218?s=kitchen&ie=UTF8&qid=1498512863&sr=1-218&keywords=locking+lid+container.*

* cited by examiner

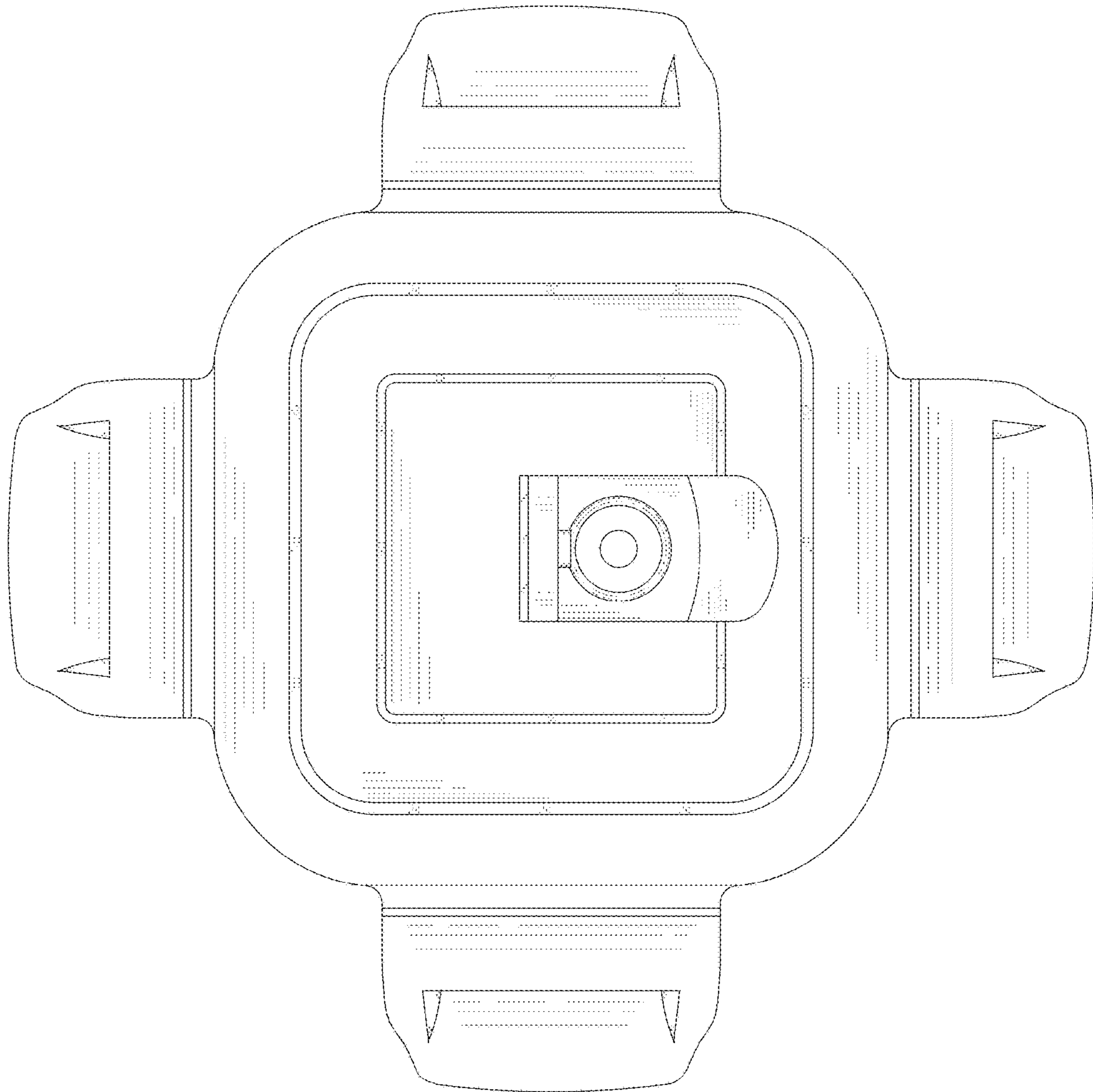


FIG. 1

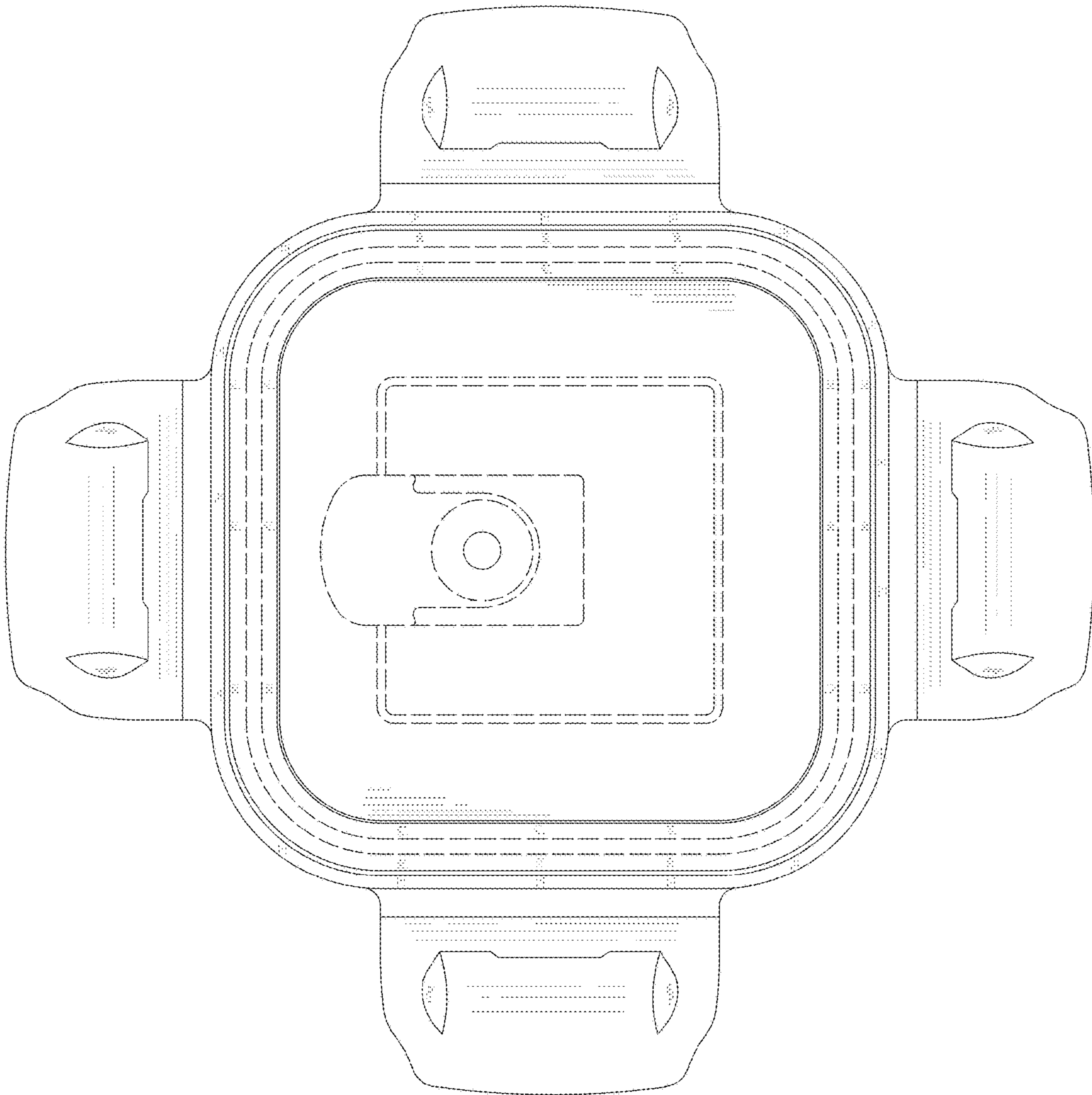


FIG. 2

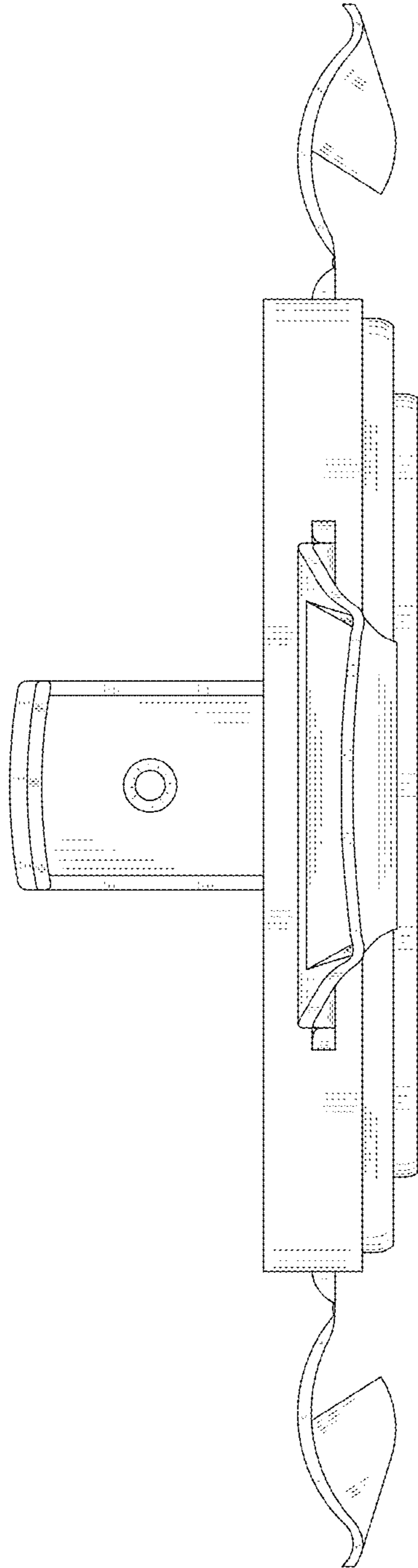


FIG. 3

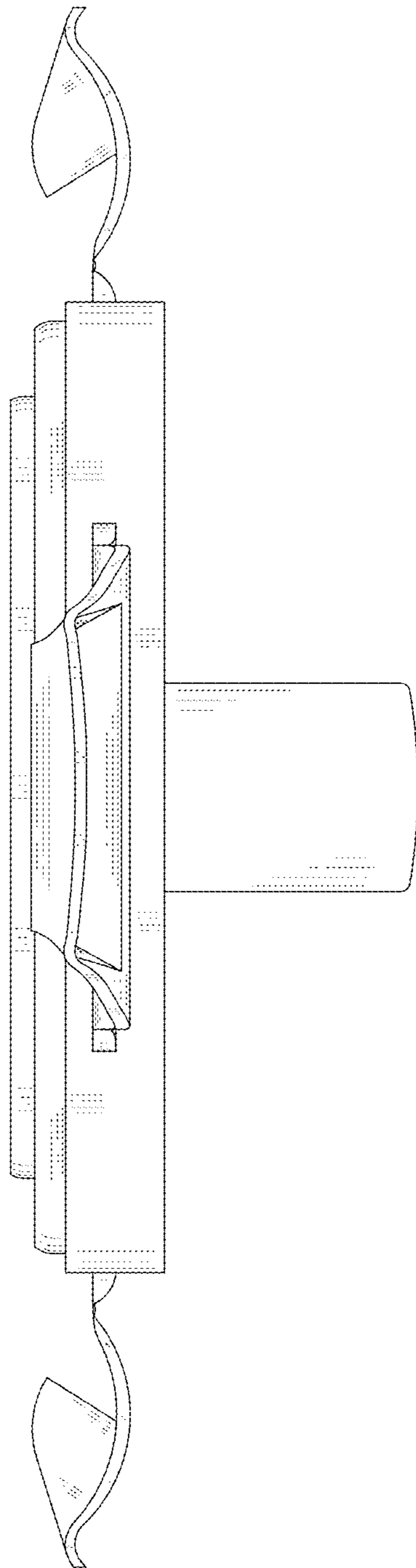


FIG. 4

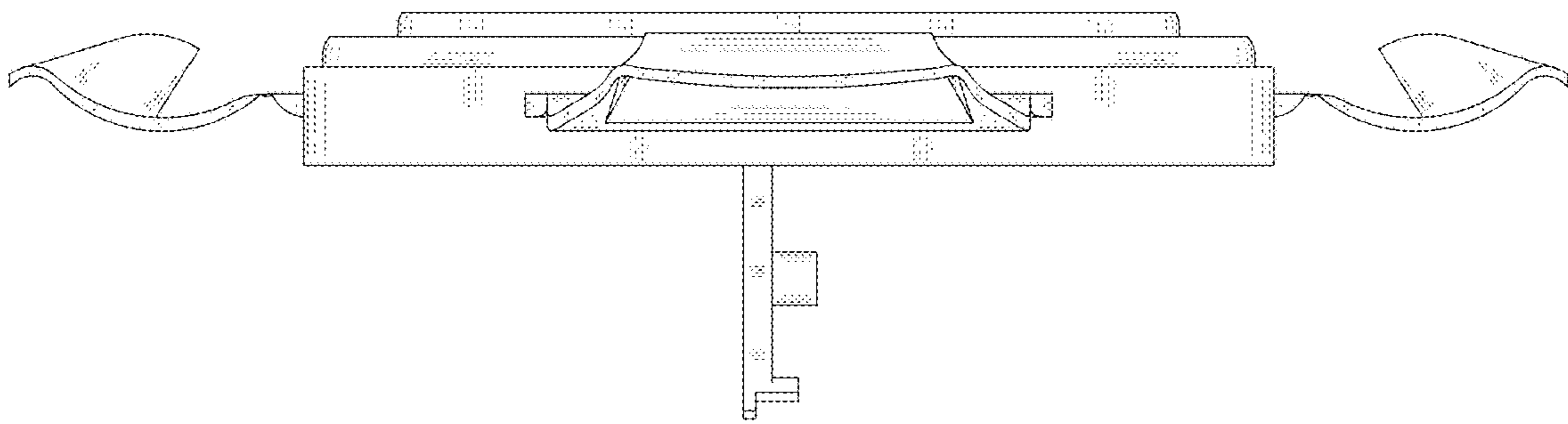


FIG. 5

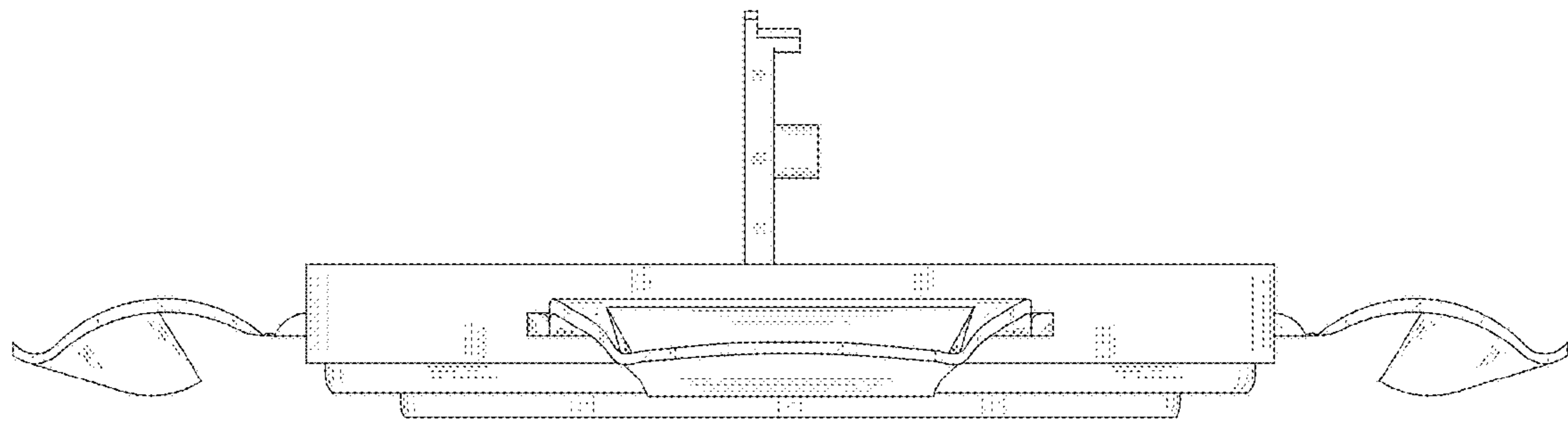


FIG. 6

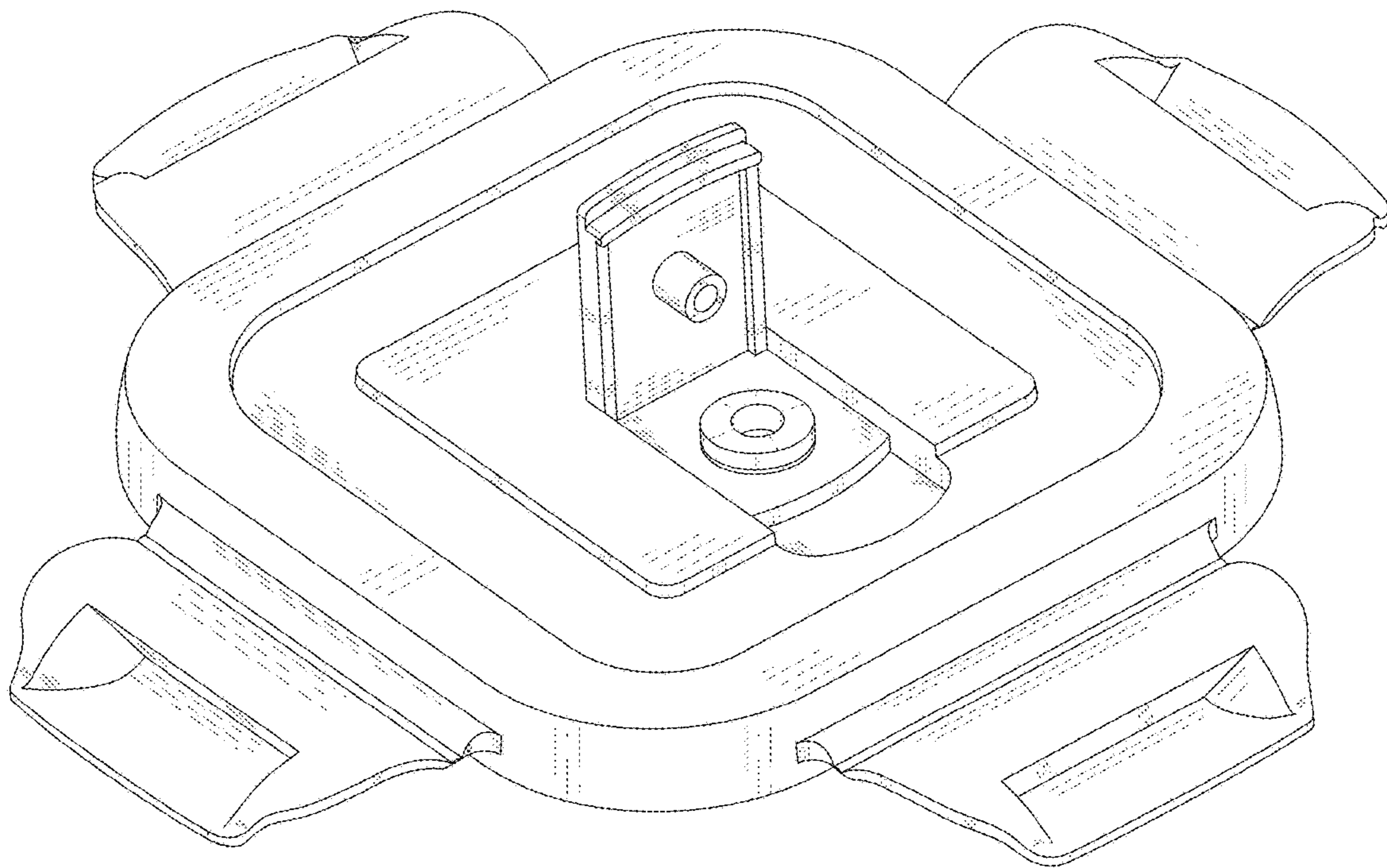


FIG. 7