



US00D828716S

(12) **United States Design Patent**
Zhang

(10) **Patent No.:** **US D828,716 S**
(45) **Date of Patent:** **** Sep. 18, 2018**

(54) **RECTANGULAR LID WITH VENT FOR FOOD CONTAINER**

(71) Applicant: **Ailtec Household Products, Inc,**
Arcadia, CA (US)

(72) Inventor: **Jian Zhong Zhang,** Handan (CN)

(**) Term: **15 Years**

(21) Appl. No.: **29/574,694**

(22) Filed: **Aug. 18, 2016**

(51) **LOC (11) Cl.** **07-01**

(52) **U.S. Cl.**
USPC **D7/392.1**

(58) **Field of Classification Search**
USPC D7/354, 360, 391, 392, 392.1, 396.1,
D7/511, 538, 542, 602, 629, 705;
D9/424, 430, 435, 443, 452, 454
CPC B65D 2543/00712; B65D 45/16
See application file for complete search history.

(56) **References Cited**

U.S. PATENT DOCUMENTS

6,415,947	B1 *	7/2002	Kim	B29C 45/0025	220/326
D479,954	S *	9/2003	Kim	D7/629	
D516,376	S *	3/2006	Kim	D7/392.1	
D528,357	S *	9/2006	Hsu	D7/392.1	
D544,762	S *	6/2007	Zimmerman	D7/601	
D549,519	S *	8/2007	Moon	D7/391	
D673,808	S *	1/2013	Grider	D7/391	
D698,199	S *	1/2014	Yessin	D7/392.1	
D700,010	S *	2/2014	Duvigneau	D7/391	
2004/0084464	A1 *	5/2004	Koo	B65D 43/0218	220/784
2005/0035125	A1 *	2/2005	Bae	B65D 43/0218	220/326
2009/0218360	A1 *	9/2009	Suk	B65D 43/0212	220/784
2014/0217101	A1 *	8/2014	Wang	B65D 45/00	220/324

OTHER PUBLICATIONS

“Vonshef 3PC Rectangular Glass Container Set”. Found online Aug. 28, 2017 at domu.co.uk. Page dated Aug. 6, 2016. Retrieved from <https://www.domu.co.uk/vonshef-3pc-rectangular-glass-container-set>.*

“Vremi 18 Piece Glass Food Storage Containers with Locking Lids”. Found online Jul. 6, 2017 at amazon.com. Page dated Sep. 26, 2016. Retrieved from https://www.amazon.com/...TF8&pd_rd_i=B01LYMUSOF&pd_rd_r=R6B6Z9SC9AENMKN23DMS&pd_rd_w=925r3&pd_rd_wg=DadFT&pvc=1&refRID=R6B6Z9SC9AENMKN23DMS.*

“Misc Home—Container with Snap Locking Lid”. Found online Jul. 6, 2017 at amazon.com. Page dated Dec. 27, 2016. Retrieved from https://www.amazon.com/...ntainers-Microwave-Dishwasher-Rectangle/dp/B01MS1L2ND/ref=sr_1_28?s=kitchen&ie=UTF8&qid=1499361639&sr=1-28-spons&keywords=lock+vent&pvc=1.*

(Continued)

Primary Examiner — George D. Kirschbaum
Assistant Examiner — Kendra Leslie Hamilton
(74) *Attorney, Agent, or Firm* — Wayne & Ken, LLC;
Tony Hom

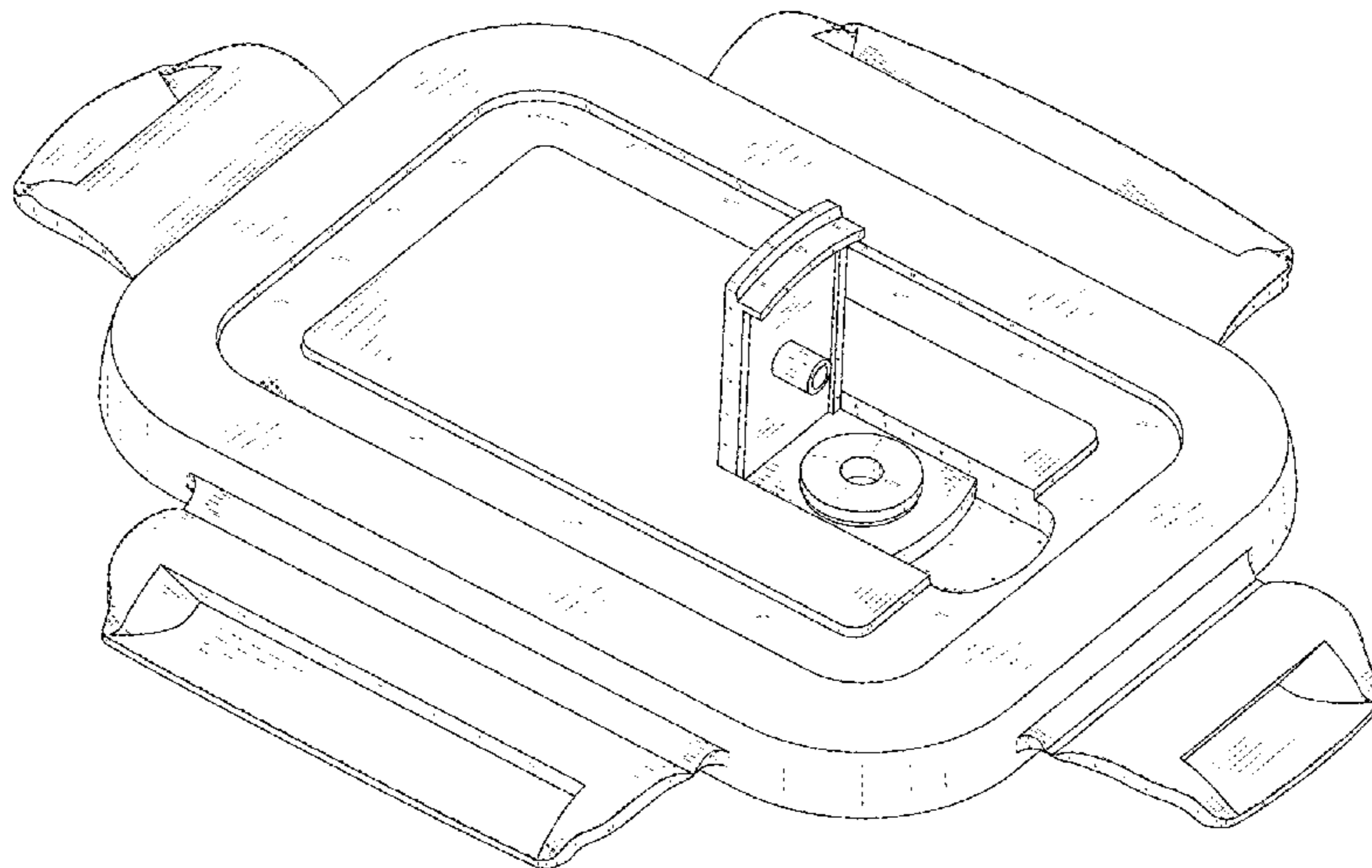
(57) **CLAIM**

I claim the ornamental design of a rectangular lid with vent for food container, as shown and described.

DESCRIPTION

FIG. 1 is a top plan view of a rectangular lid with vent for food container showing my new design;
FIG. 2 is a bottom plan view thereof;
FIG. 3 is a right side elevation view thereof;
FIG. 4 is a left side elevation view thereof;
FIG. 5 is a rear elevation view thereof;
FIG. 6 is a front elevation view thereof; and,
FIG. 7 is a top, front perspective view thereof.
Broken lines shown in the figures depict portions of the rectangular lid with vent for food container that forms no part of the claimed design.

1 Claim, 7 Drawing Sheets



(56)

References Cited

OTHER PUBLICATIONS

“VonShef 5 Piece Glass Container Food Storage Set with Lids”.
Found online Aug. 28, 2017 at amazon.co.uk. Page dated Aug. 19,
2015. Retrieved from <https://www.amazon.co.uk/VonShef-Piece-Glass-Container-Storage/dp/B0144V5UIM>.*

* cited by examiner

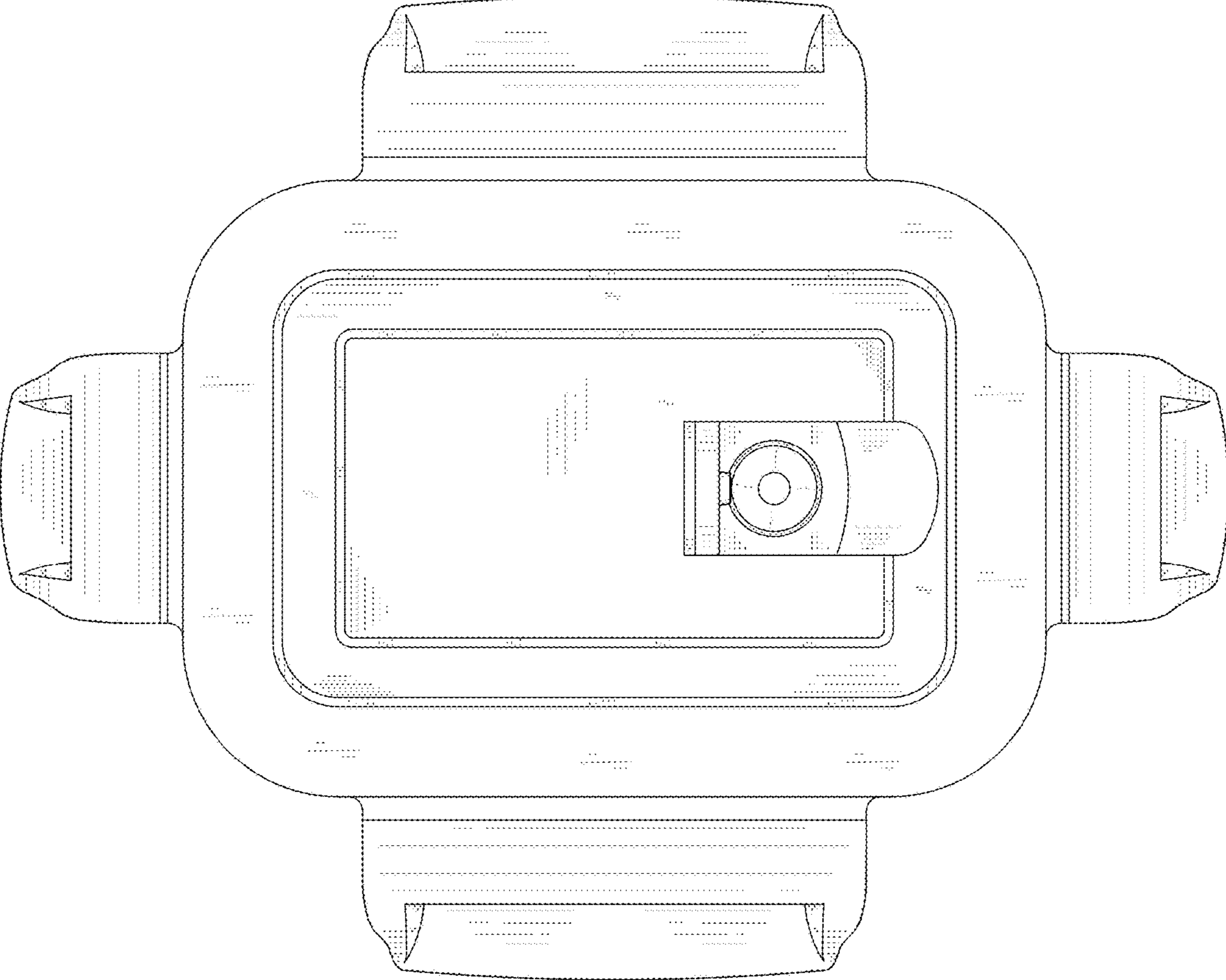


FIG. 1

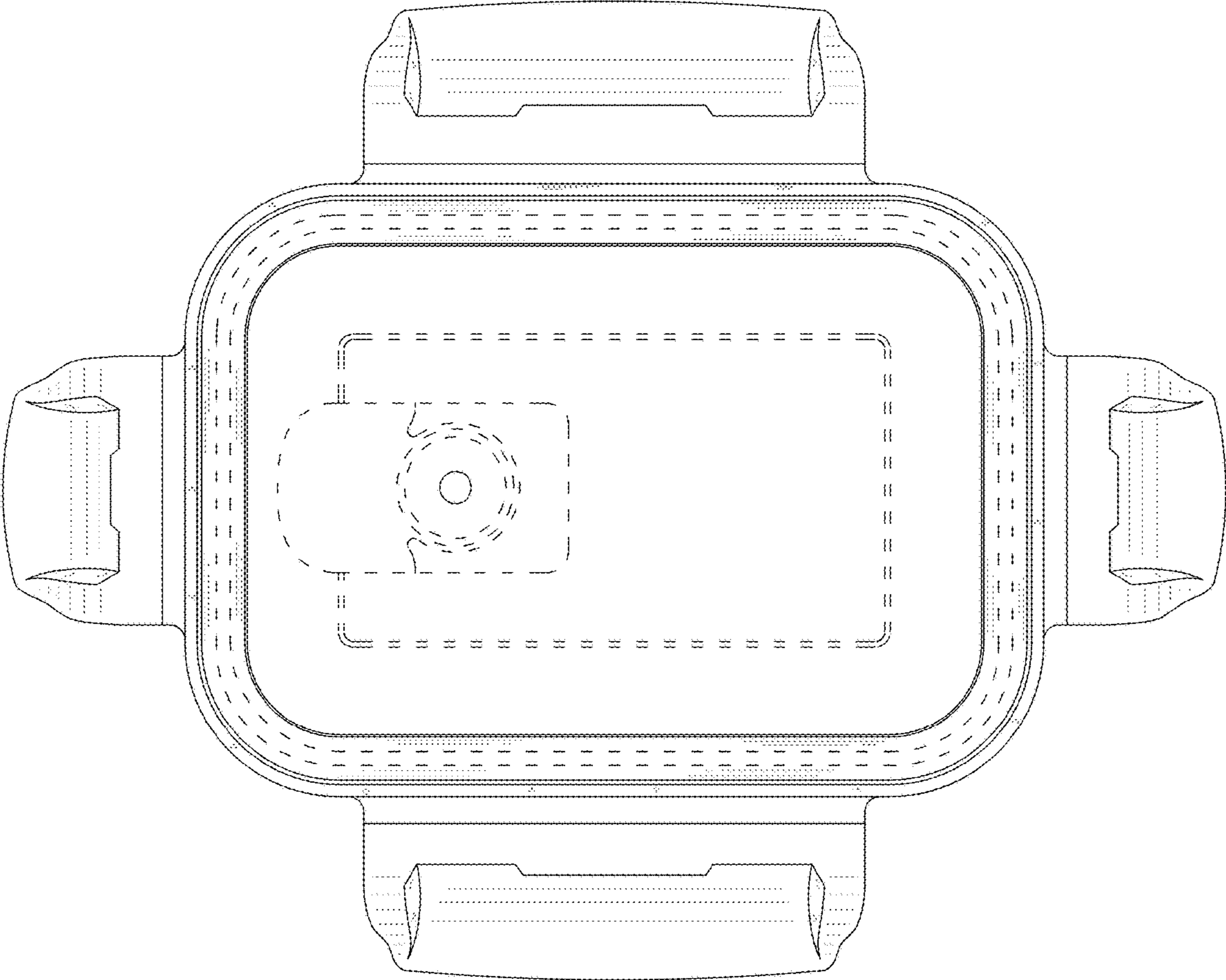


FIG. 2

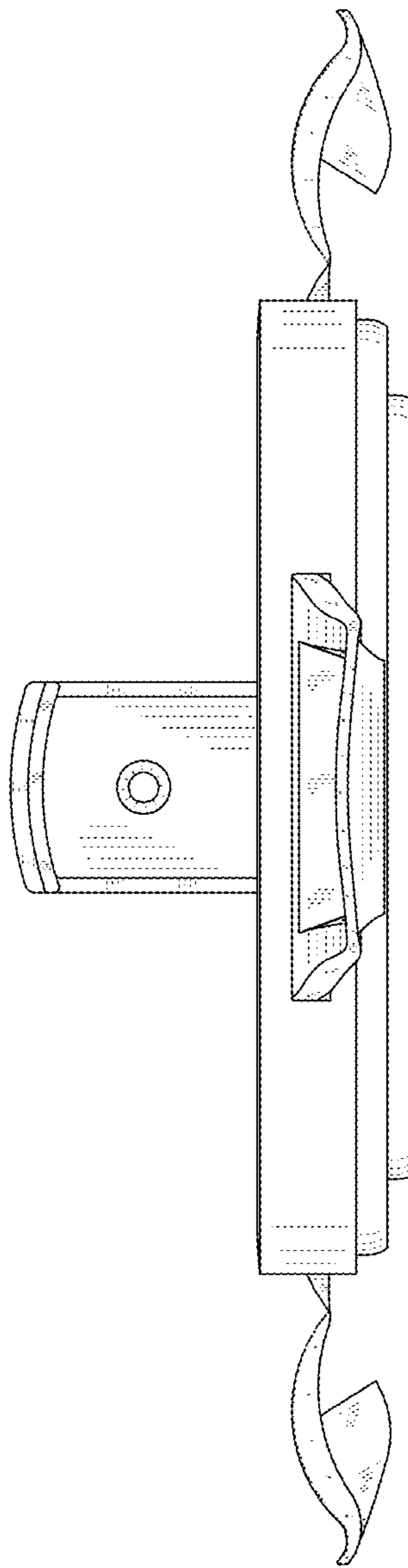


FIG. 3

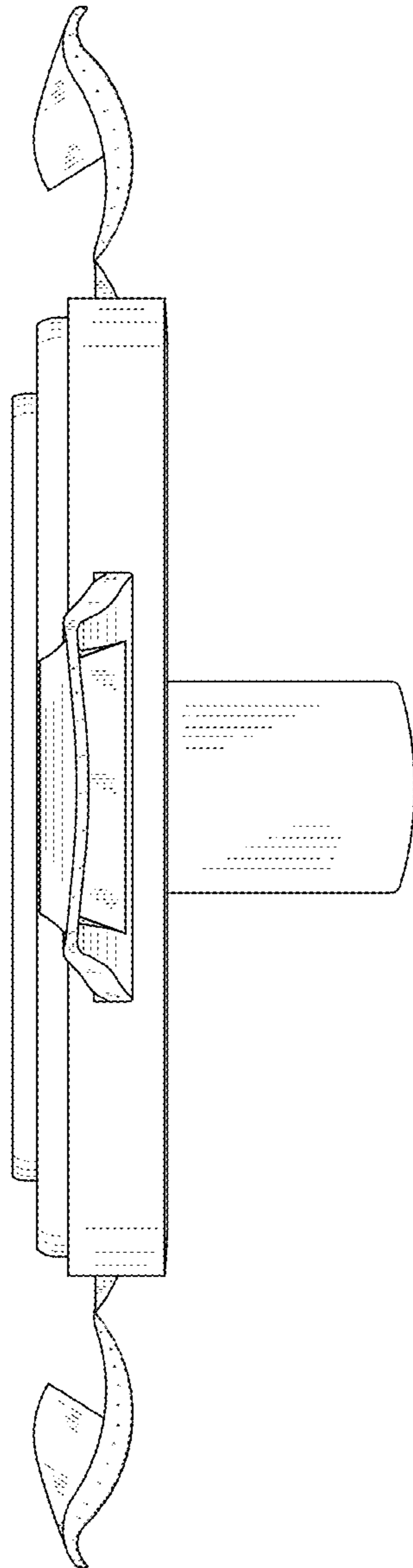


FIG. 4

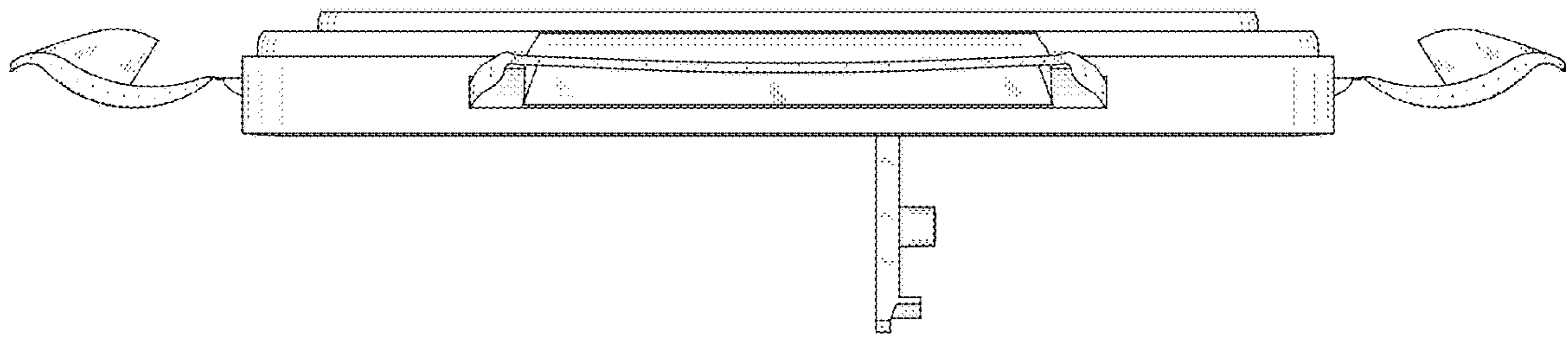


FIG. 5

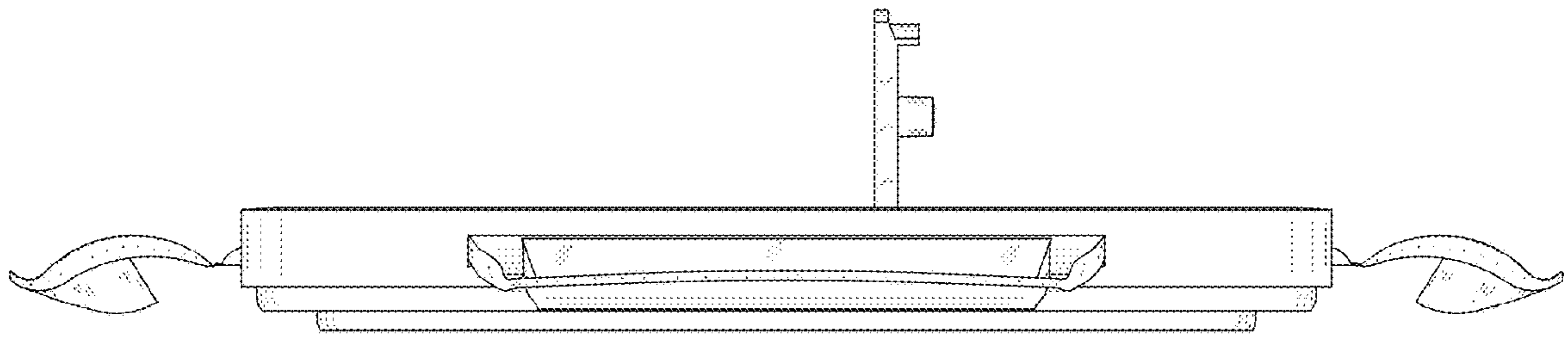


FIG. 6

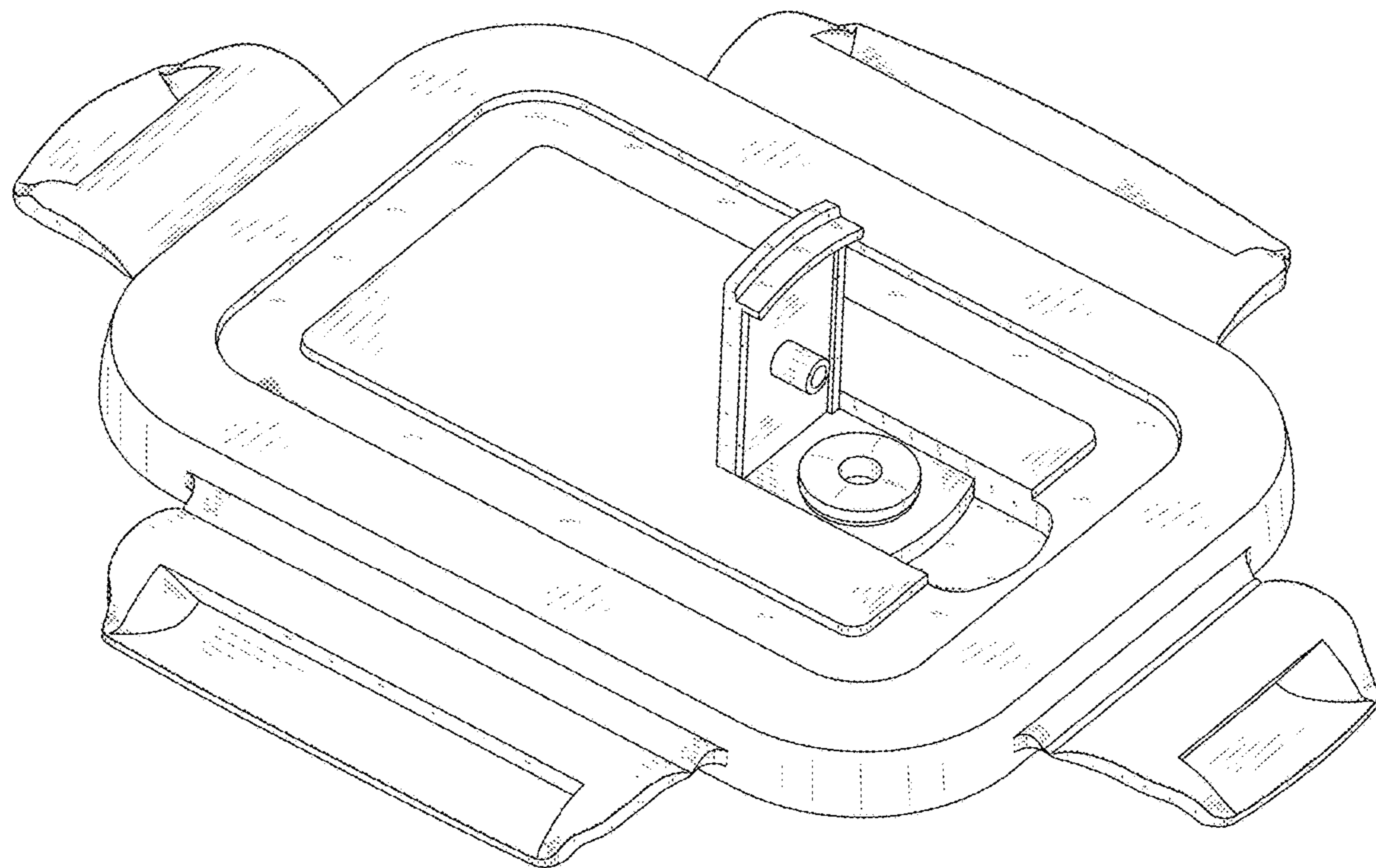


FIG. 7