

US00D828714S

(12) **United States Design Patent**
Nagrani

(10) **Patent No.:** **US D828,714 S**
(45) **Date of Patent:** **** Sep. 18, 2018**

(54) **FRYING PAN**

- (71) Applicant: **DREAMBIZ LTD.**, Tsim Sha Tsui,
Kowloon, Hong Kong (HK)
- (72) Inventor: **Rajendra Sobha Nagrani**, Hong Kong
(HK)
- (73) Assignee: **Dreambiz Ltd.**, Kowloon (HK)
- (**) Term: **15 Years**
- (21) Appl. No.: **29/624,534**
- (22) Filed: **Nov. 1, 2017**
- (51) **LOC (11) Cl.** **07-02**
- (52) **U.S. Cl.**
USPC **D7/361**
- (58) **Field of Classification Search**
USPC D7/323, 332, 337, 352-367, 402, 409,
D7/643, 644, 645, 538, 602
CPC A47G 19/12; A47G 19/127; A47G
2019/122; A47G 2019/125; A47J 27/00;
A47J 27/002; A47J 27/004; A47J 27/006;
A47J 27/02; A47J 27/022; A47J 27/04;
A47J 27/024; A47J 27/043; A47J 27/05;
A47J 27/14; A47J 27/21008; A47J 36/06;
A47J 36/025; A47J 36/08; A47J 37/10
See application file for complete search history.

(56) **References Cited**

U.S. PATENT DOCUMENTS

- 1,591,291 A * 7/1926 Detwiler A47J 37/0676
99/446
- D154,967 S * 8/1949 Watkins D7/359
- 2,830,166 A * 4/1958 Loomis H01R 13/7137
219/441
- D197,663 S * 3/1964 O'Reilly D7/359
- 3,457,852 A * 7/1969 Kwoh A47J 37/10
220/23.86
- D268,981 S * 5/1983 Monson 426/243
- D470,711 S * 2/2003 Kloppsteck D7/359

(Continued)

FOREIGN PATENT DOCUMENTS

- CA 168607 1/2017
- GB 2206775 A * 1/1989 A47J 37/10

OTHER PUBLICATIONS

1-Section Heavy Duty Non-stick Cast Aluminum Grill Pan, © 2018 [online], retrieved Jul. 18, 2018, retrieved from internet, <https://masterpan.com/non-stick-10-skillet.html>.*

Primary Examiner — George D. Kirschbaum
Assistant Examiner — Messina L Smith
(74) *Attorney, Agent, or Firm* — Loza & Loza, LLP;
Heidi Eisenhut

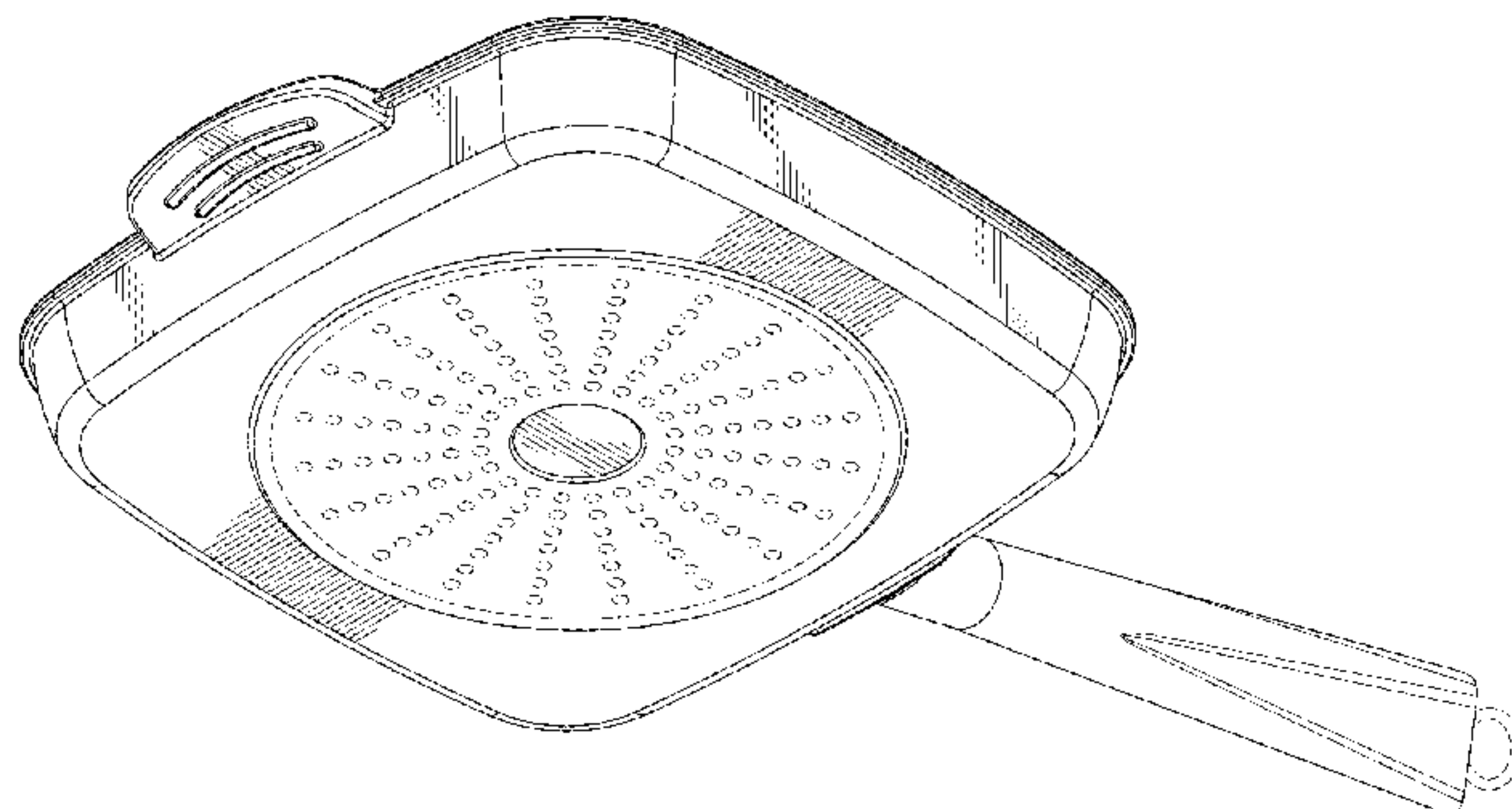
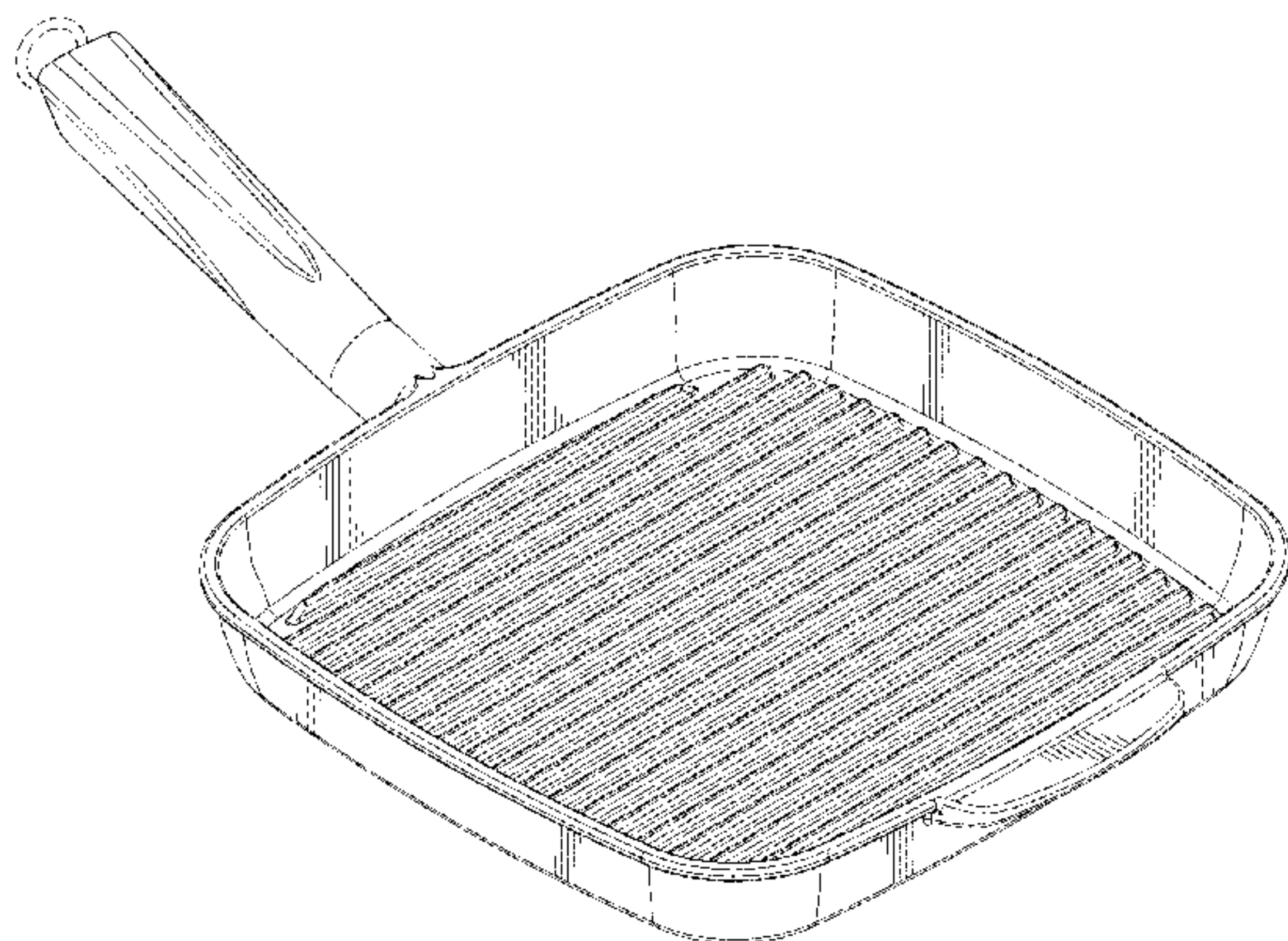
(57) **CLAIM**

The ornamental design for a frying pan, as shown and described.

DESCRIPTION

FIG. 1 is a top right perspective of a frying pan, according to the present invention.
FIG. 2 is a top left perspective of the frying pan of FIG. 1;
FIG. 3 is a bottom left perspective of the frying pan of FIG. 1;
FIG. 4 is a left side elevation view of the frying pan of FIG. 1;
FIG. 5 is a right side elevation view of the frying pan of FIG. 1;
FIG. 6 is a front elevation view of the frying pan of FIG. 1;
FIG. 7 is a back elevation view of the frying pan of FIG. 1;
FIG. 8 is a top plan view of the frying pan of FIG. 1; and,
FIG. 9 is a bottom plan view of the frying pan of FIG. 1.
The broken lines in the drawings depict portions of the frying pan that form no part of the claimed design.

1 Claim, 7 Drawing Sheets



(56)

References Cited

U.S. PATENT DOCUMENTS

D672,604 S *	12/2012	Upston	D7/354
D697,751 S *	1/2014	Schleitzer	D7/354
D746,628 S	1/2016	Nagrani	
D787,261 S *	5/2017	Tsai	D7/354
D822,425 S *	7/2018	Menicanin	D7/359
2005/0204931 A1 *	9/2005	Cheng	A47J 37/067 99/422
2005/0211106 A1 *	9/2005	Dierkes	A47J 37/10 99/422

* cited by examiner

FIG. 1

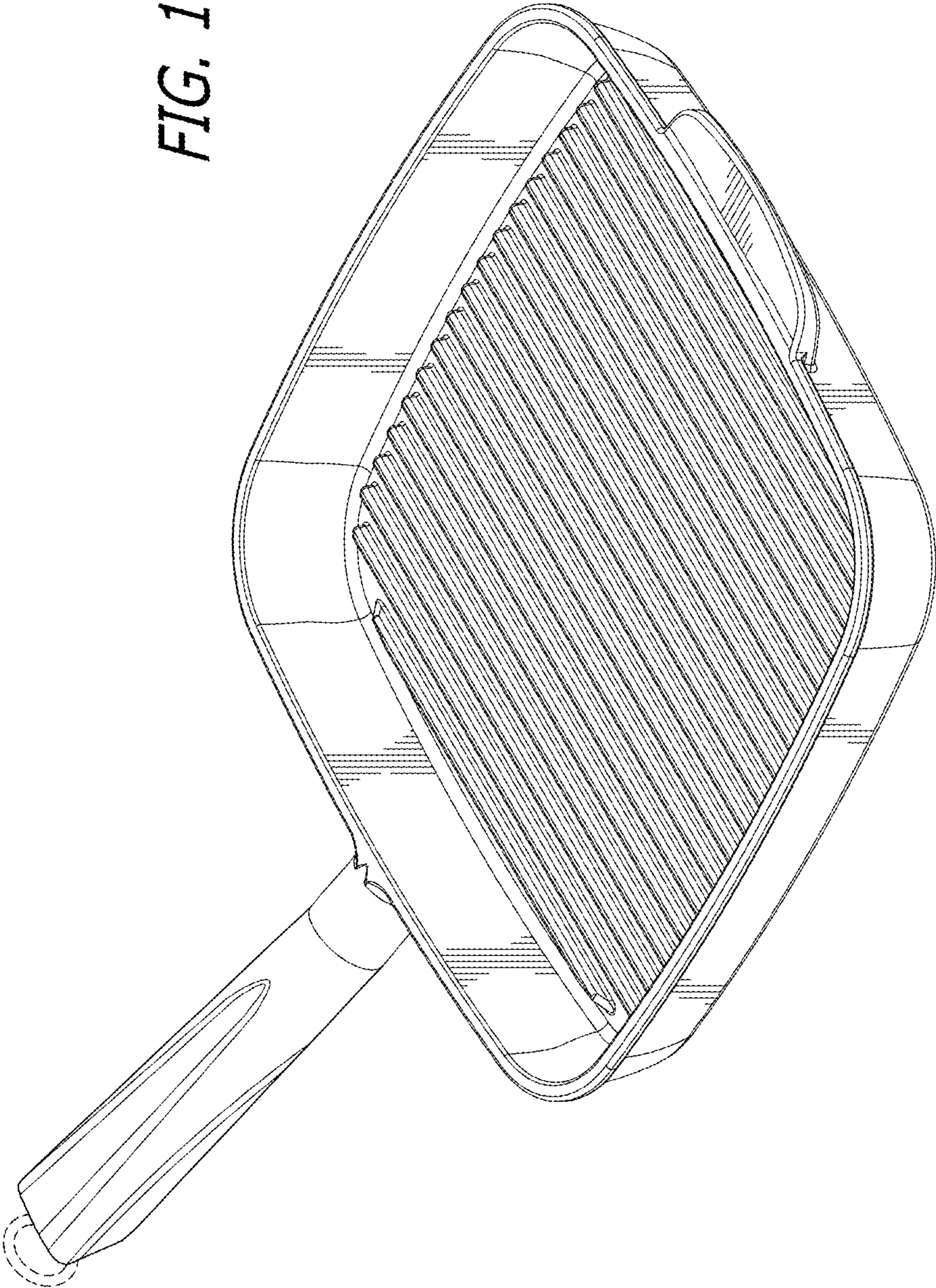


FIG. 2

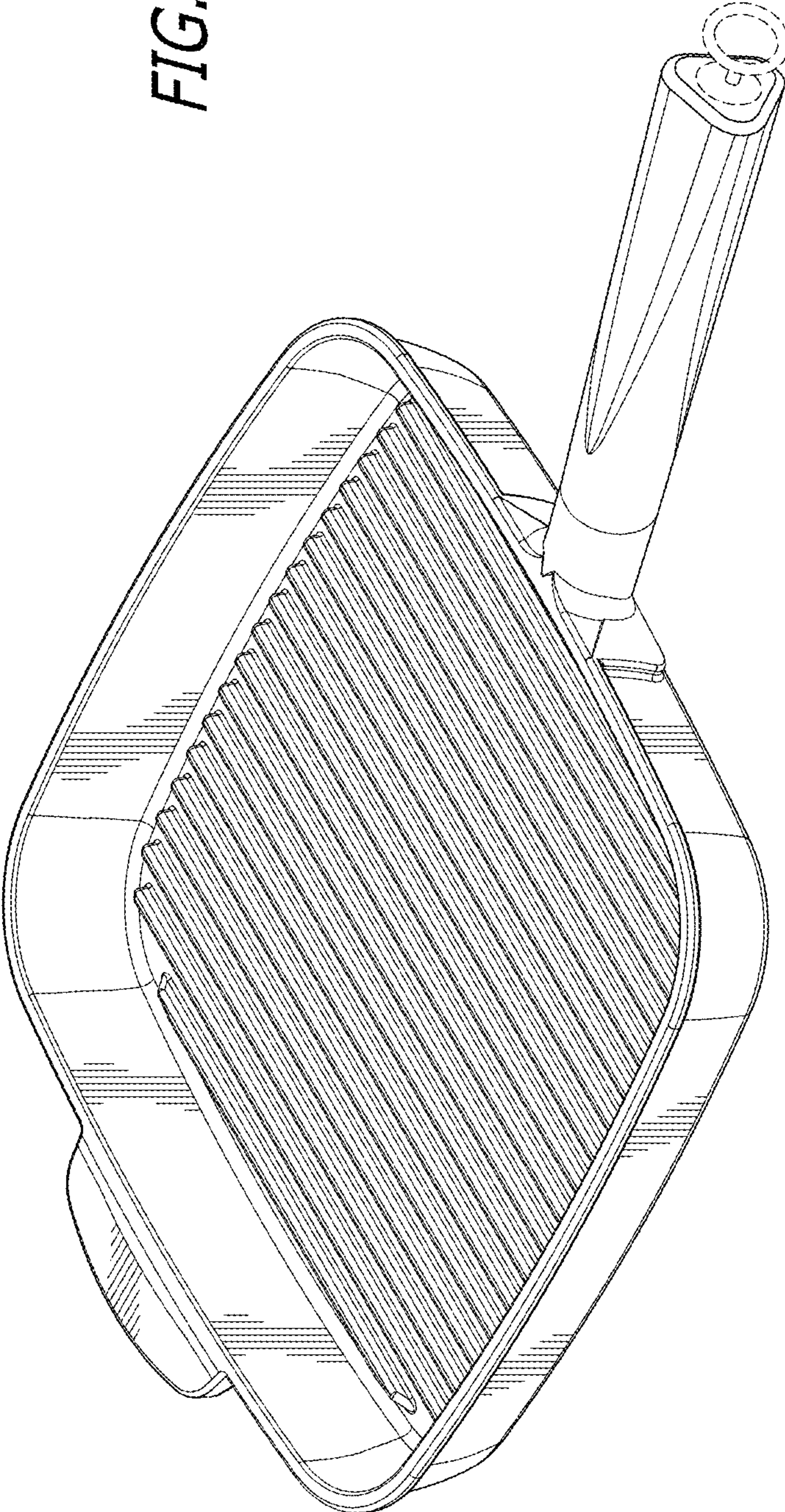
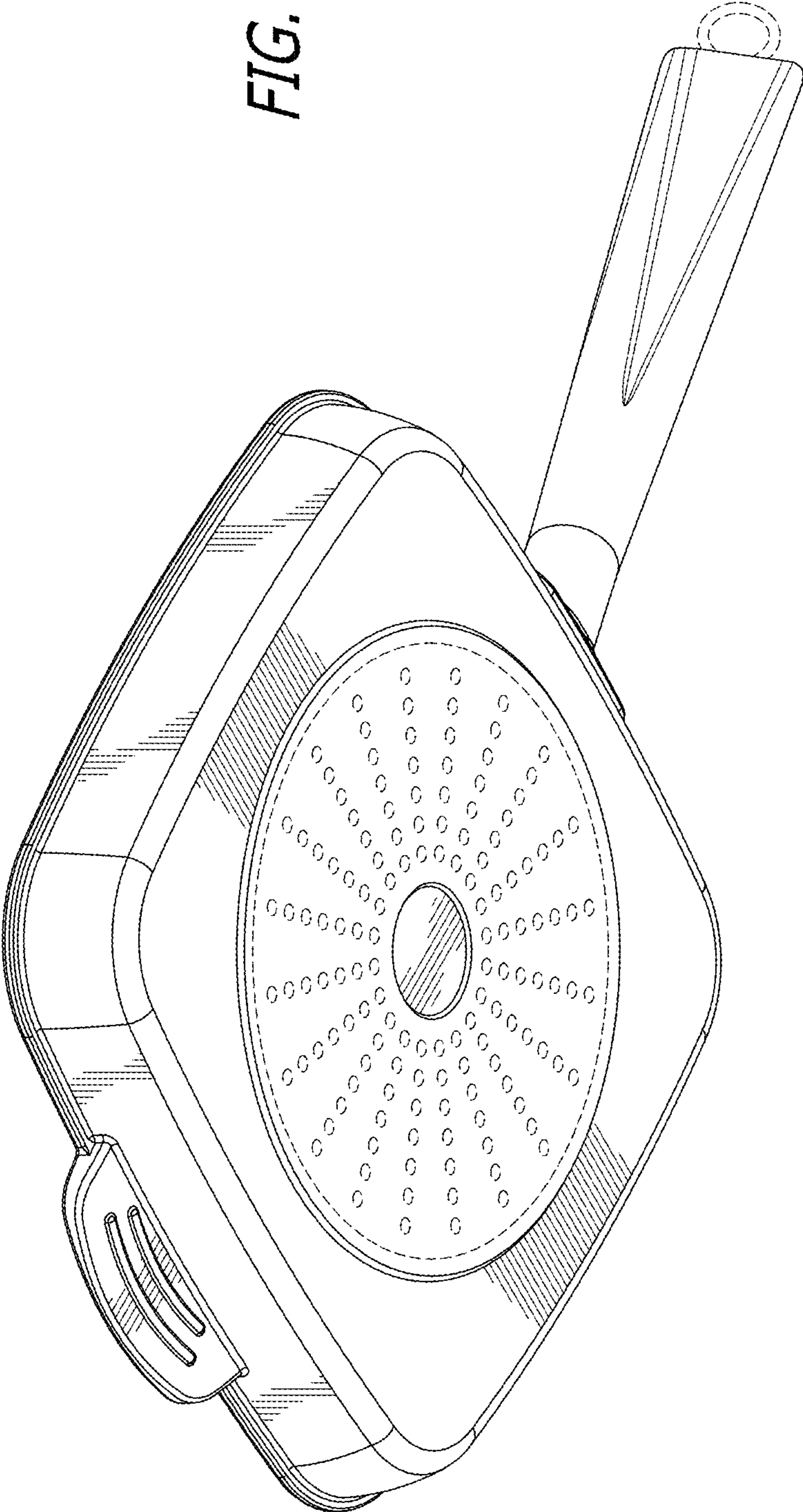
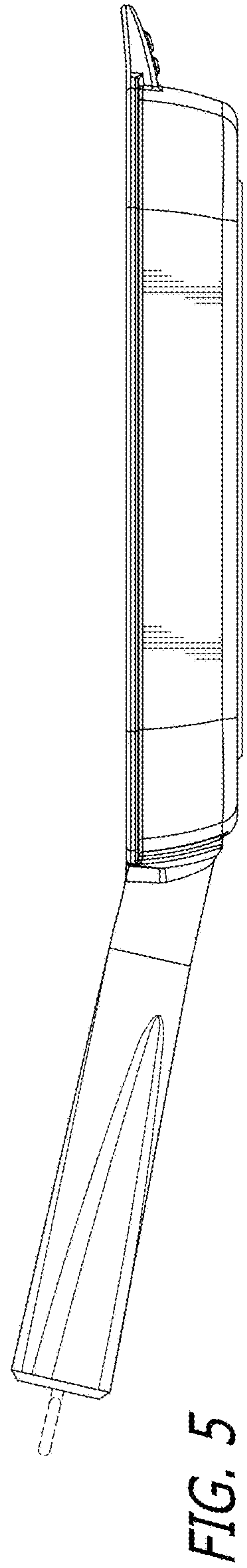
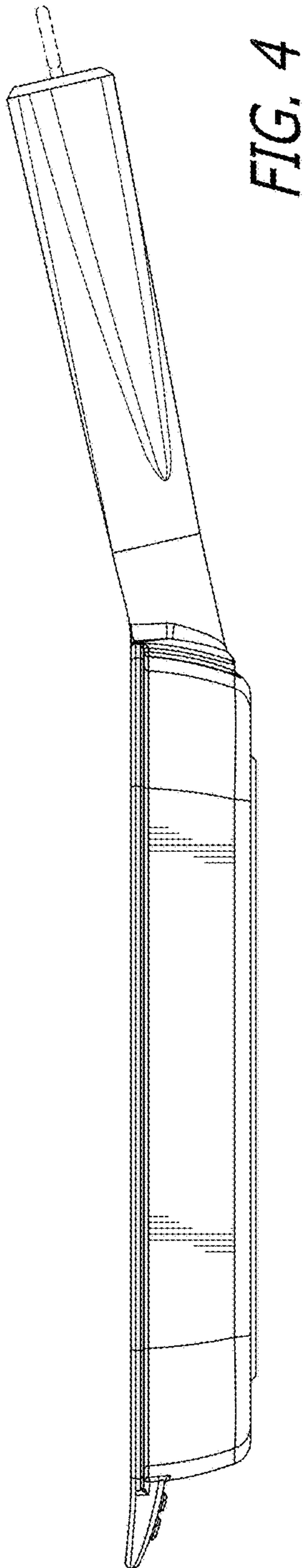


FIG. 3





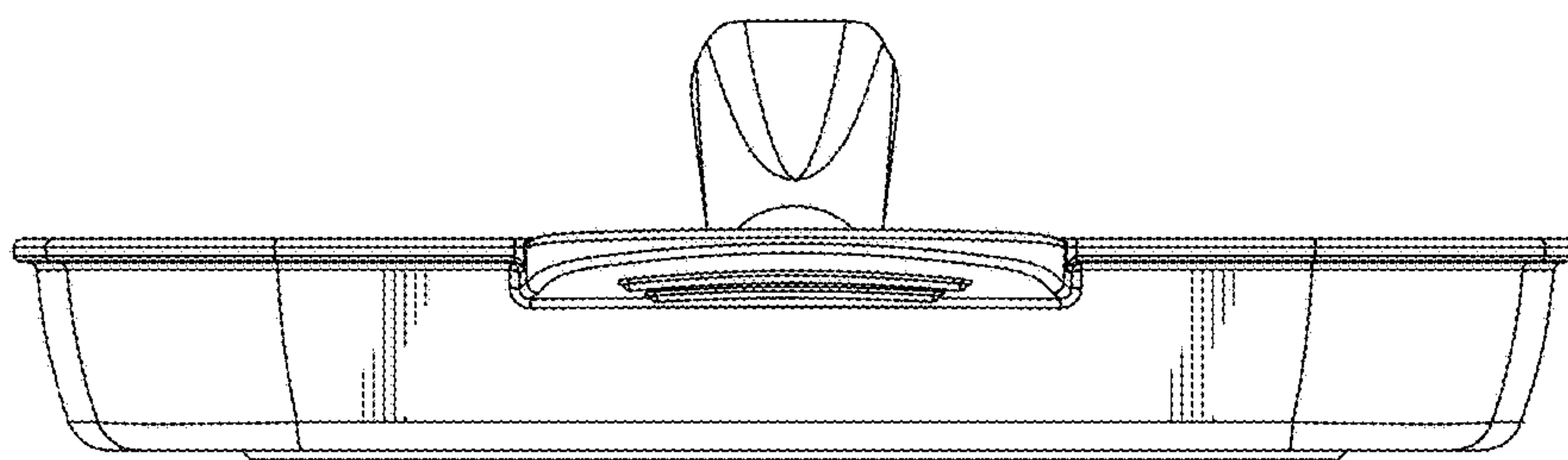


FIG. 6

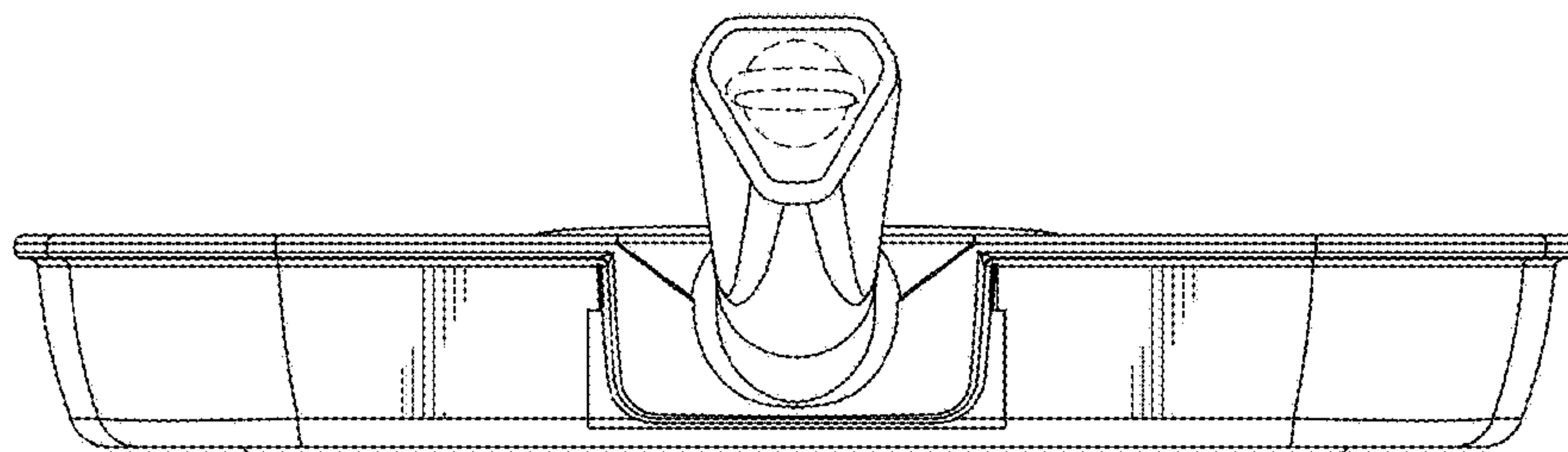


FIG. 7

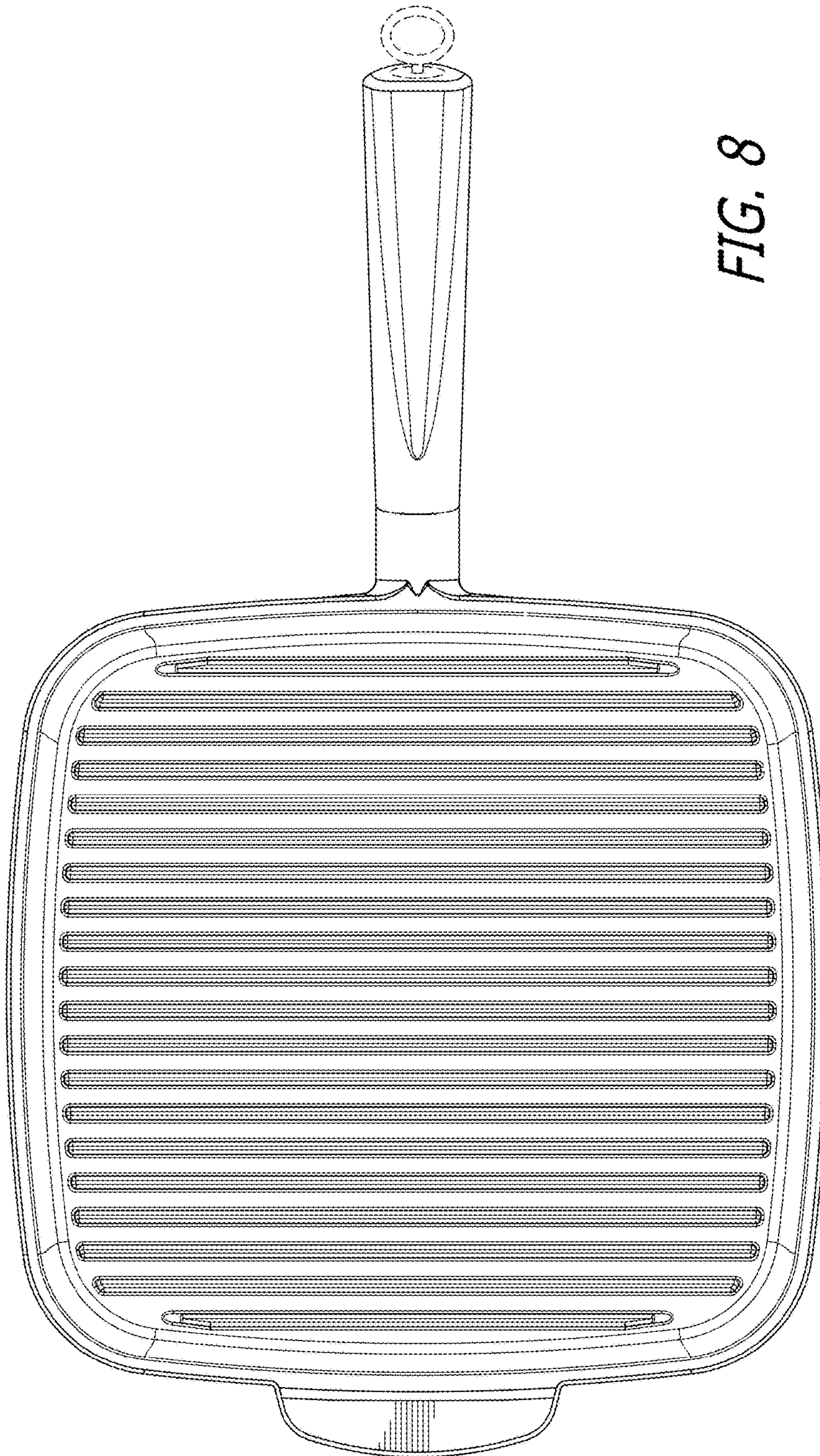


FIG. 8

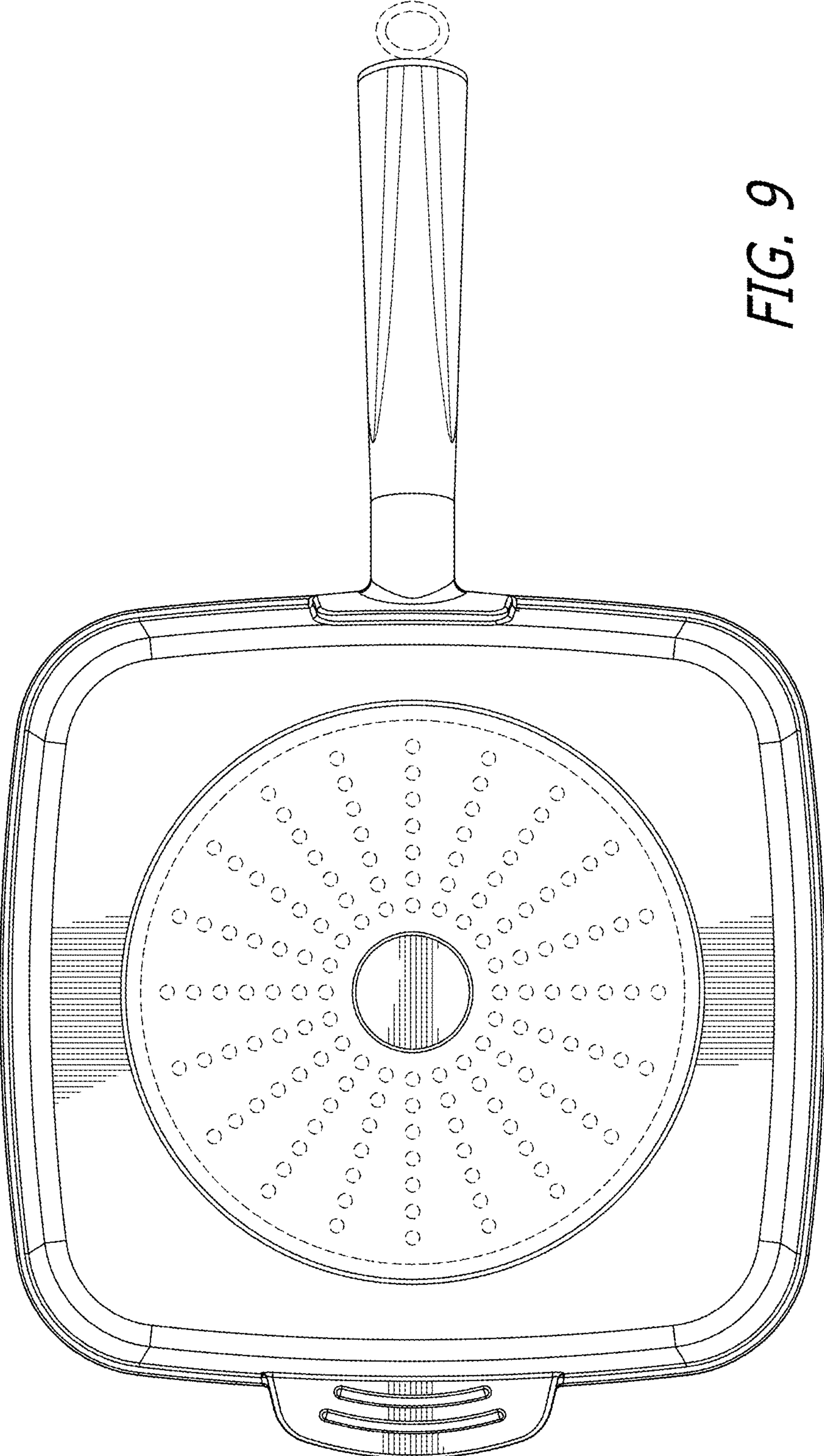


FIG. 9