



US00D828712S

(12) **United States Design Patent**
Nagrani

(10) **Patent No.:** **US D828,712 S**
(45) **Date of Patent:** **** Sep. 18, 2018**

- (54) **FRYING PAN**
- (71) Applicant: **DREAMBIZ LTD.**, Tsim Sha Tsui,
Kowloon, Hong Kong (HK)
- (72) Inventor: **Rajendra Sobha Nagrani**, Hong Kong
(HK)
- (73) Assignee: **Dreambiz Ltd.**, Kowloon (HK)
- (**) Term: **15 Years**
- (21) Appl. No.: **29/624,539**
- (22) Filed: **Nov. 1, 2017**
- (51) **LOC (11) Cl.** **07-02**
- (52) **U.S. Cl.**
USPC **D7/357; D7/354; D7/359; D7/361**
- (58) **Field of Classification Search**
USPC **D7/323, 332, 354-363, 391, 393-396,**
D7/409
CPC **A47G 19/12; A47J 27/00; A47J 27/002;**
A47J 27/08; A47J 27/21; A47J 27/58;
A47J 36/025; A47J 36/02; A47J 36/06;
A47J 36/12; A47J 37/00; A47J 37/10;
A47J 37/101; A47J 37/103; A47J 37/108;
A47J 37/12; A47J 37/1204; A47J 45/061;
A47J 45/071; A47J 45/08; A63H
33/3055; H05B 6/12
See application file for complete search history.

- 6,371,322 B1 * 4/2002 Bryant A47G 19/06
220/23.86
- D492,538 S * 7/2004 Cheng A47G 19/06
D7/357
- D511,929 S * 11/2005 Coppi A47J 37/108
D7/359
- D625,948 S * 10/2010 Cheng A63H 33/3055
D7/354

(Continued)

FOREIGN PATENT DOCUMENTS

CA 168607 1/2017

Primary Examiner — Ricky Pham

(74) *Attorney, Agent, or Firm* — Loza & Loza, LLP;
Heidi Eisenhut

(57) **CLAIM**

The ornamental design for a frying pan, as shown and described.

DESCRIPTION

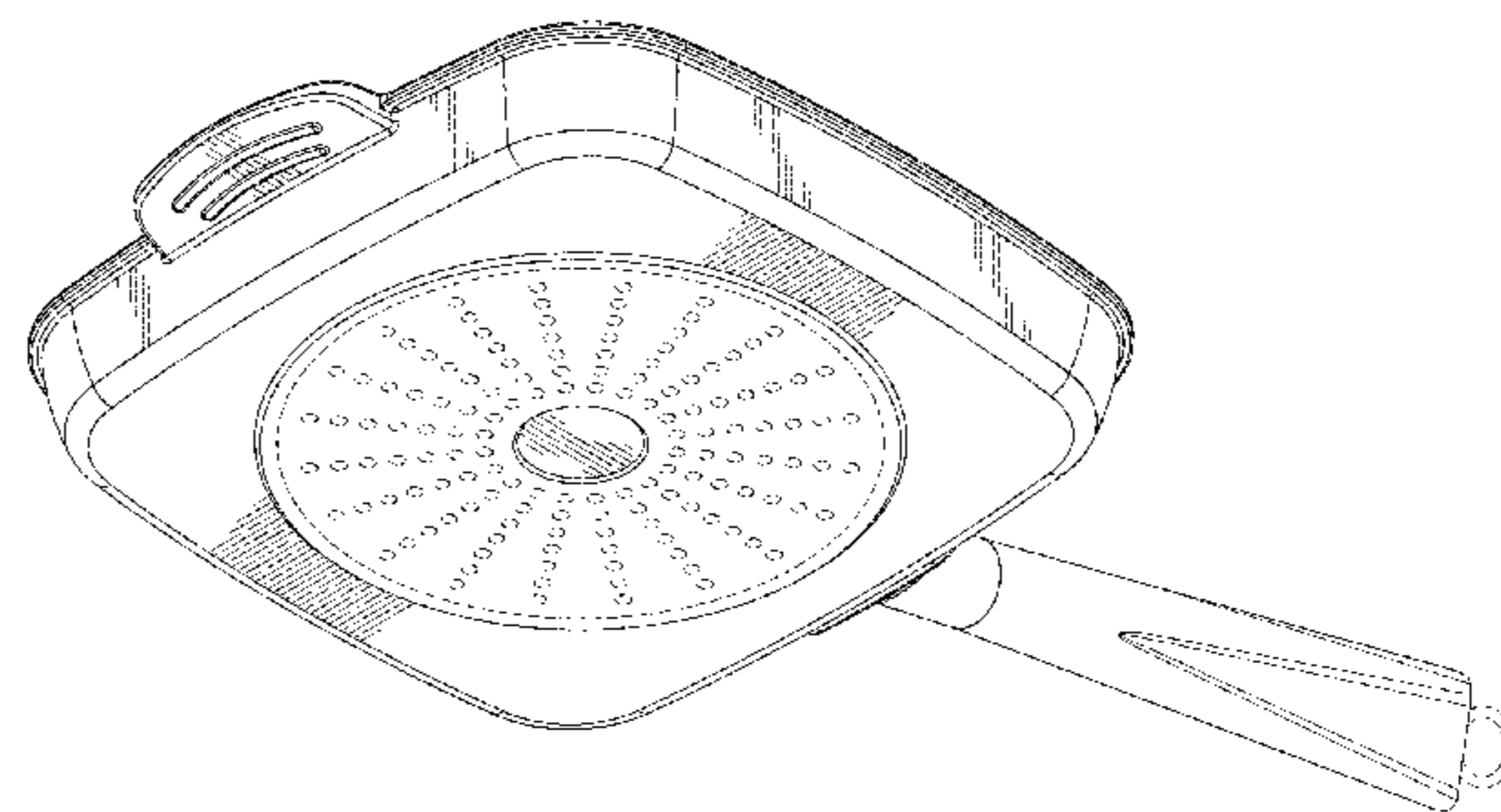
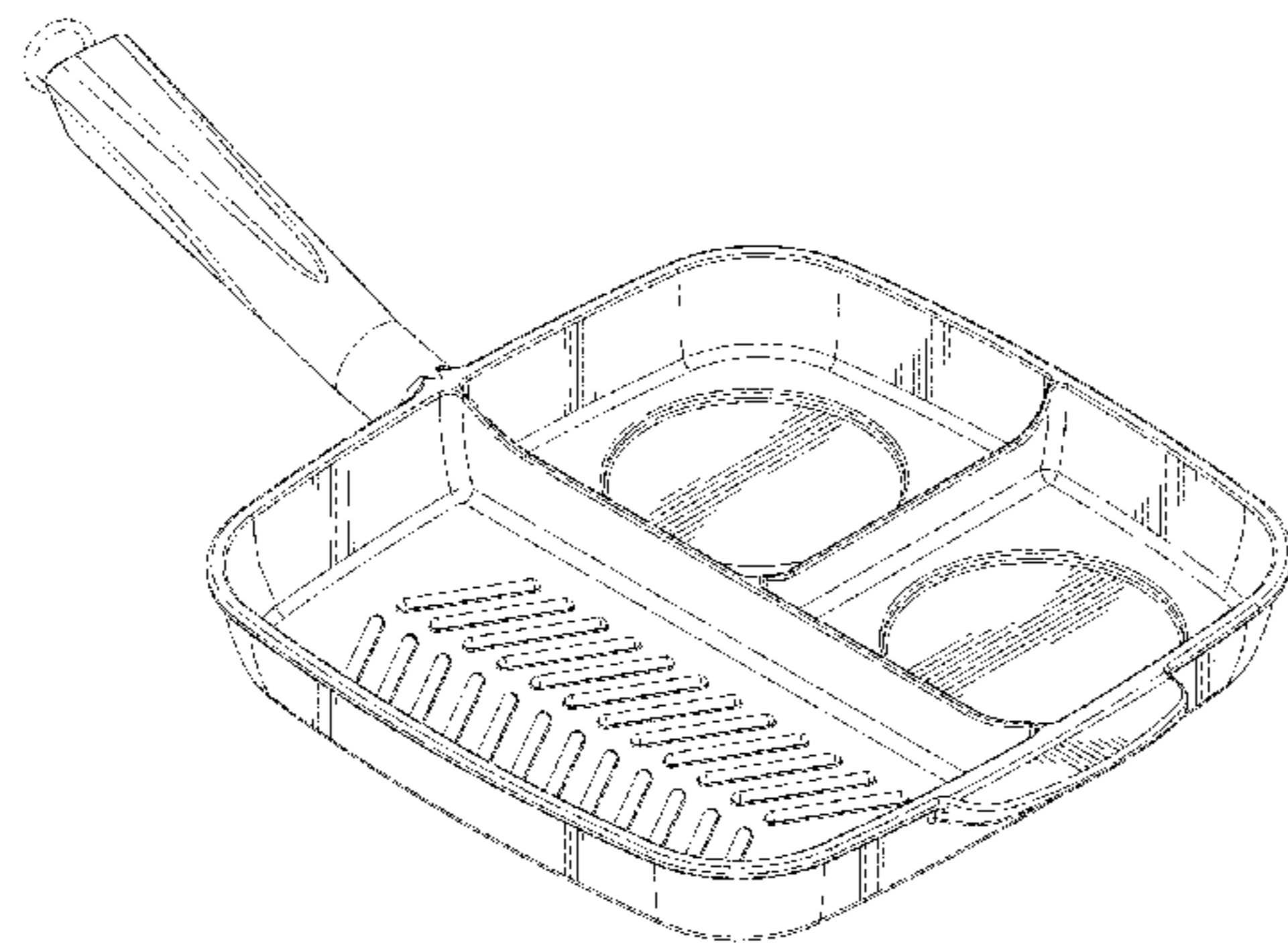
FIG. 1 is a top right perspective of a frying pan, according to the present invention.
 FIG. 2 is a top left perspective of the frying pan of FIG. 1;
 FIG. 3 is a bottom left perspective of the frying pan of FIG. 1;
 FIG. 4 is a left side elevation view of the frying pan of FIG. 1;
 FIG. 5 is a right side elevation view of the frying pan of FIG. 1;
 FIG. 6 is a front elevation view of the frying pan of FIG. 1;
 FIG. 7 is a back elevation view of the frying pan of FIG. 1;
 FIG. 8 is a top plan view of the frying pan of FIG. 1; and,
 FIG. 9 is a bottom plan view of the frying pan of FIG. 1.
 The broken lines represent portions of the container that form no portion of the claim.

1 Claim, 7 Drawing Sheets

(56) **References Cited**

U.S. PATENT DOCUMENTS

- 1,936,551 A * 11/1933 Garrison A47J 37/10
99/339
- 3,120,717 A * 2/1964 Glass A63H 33/3055
446/397
- D359,879 S * 7/1995 Fielding D7/354
- 5,967,022 A * 10/1999 Moschella A47J 37/108
220/731



(56)

References Cited

U.S. PATENT DOCUMENTS

D712,193 S *	9/2014	Nagrani	A47J 37/10
			D7/354
D714,089 S *	9/2014	Lovley, II	D7/332
1,746,628 A1	1/2016	Nagrani	
D787,261 S *	5/2017	Tsai	D7/354
D802,354 S *	11/2017	Xiong	D7/357
D804,238 S *	12/2017	Xiong	D7/359

* cited by examiner

FIG. 1

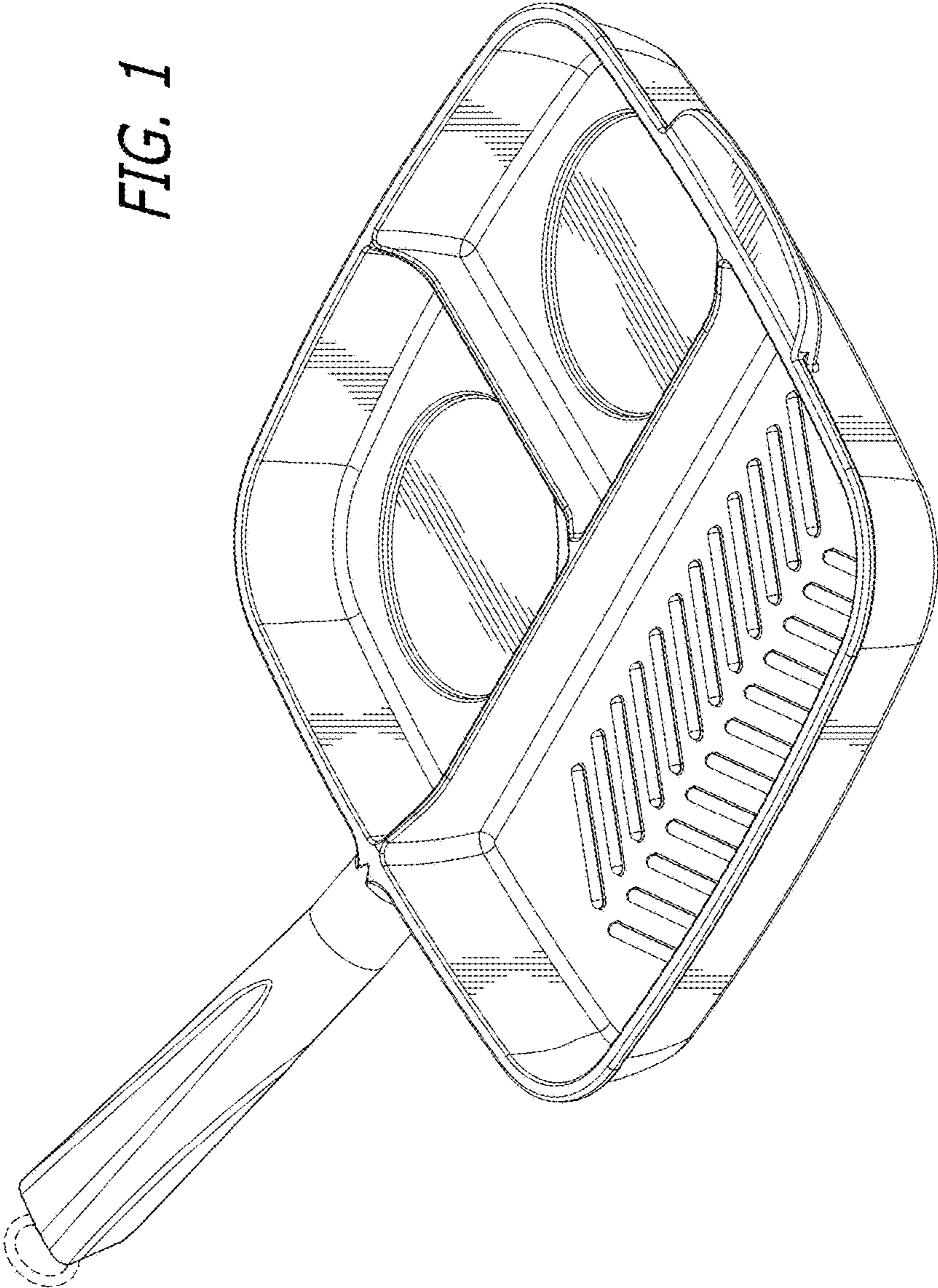


FIG. 2

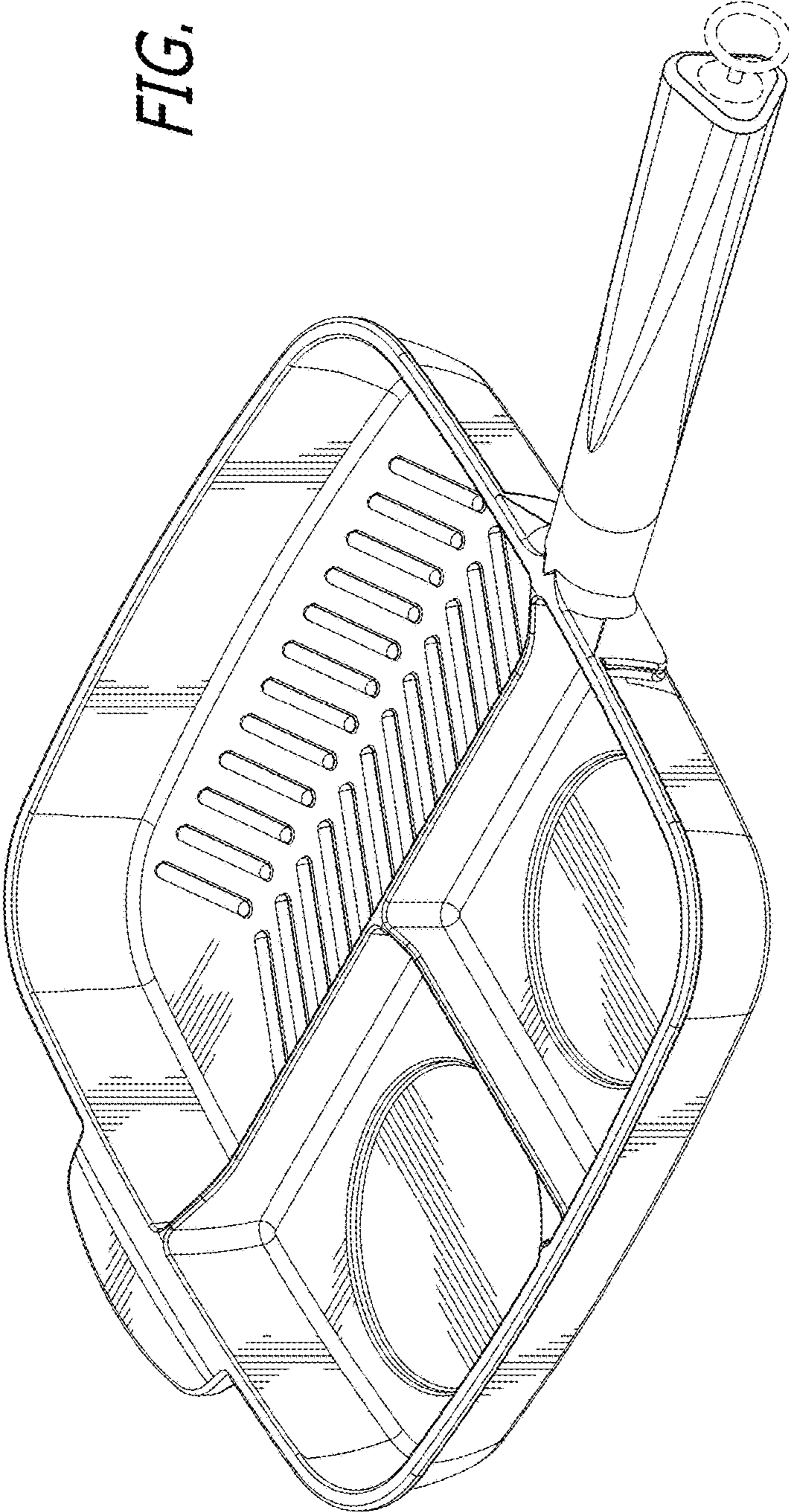
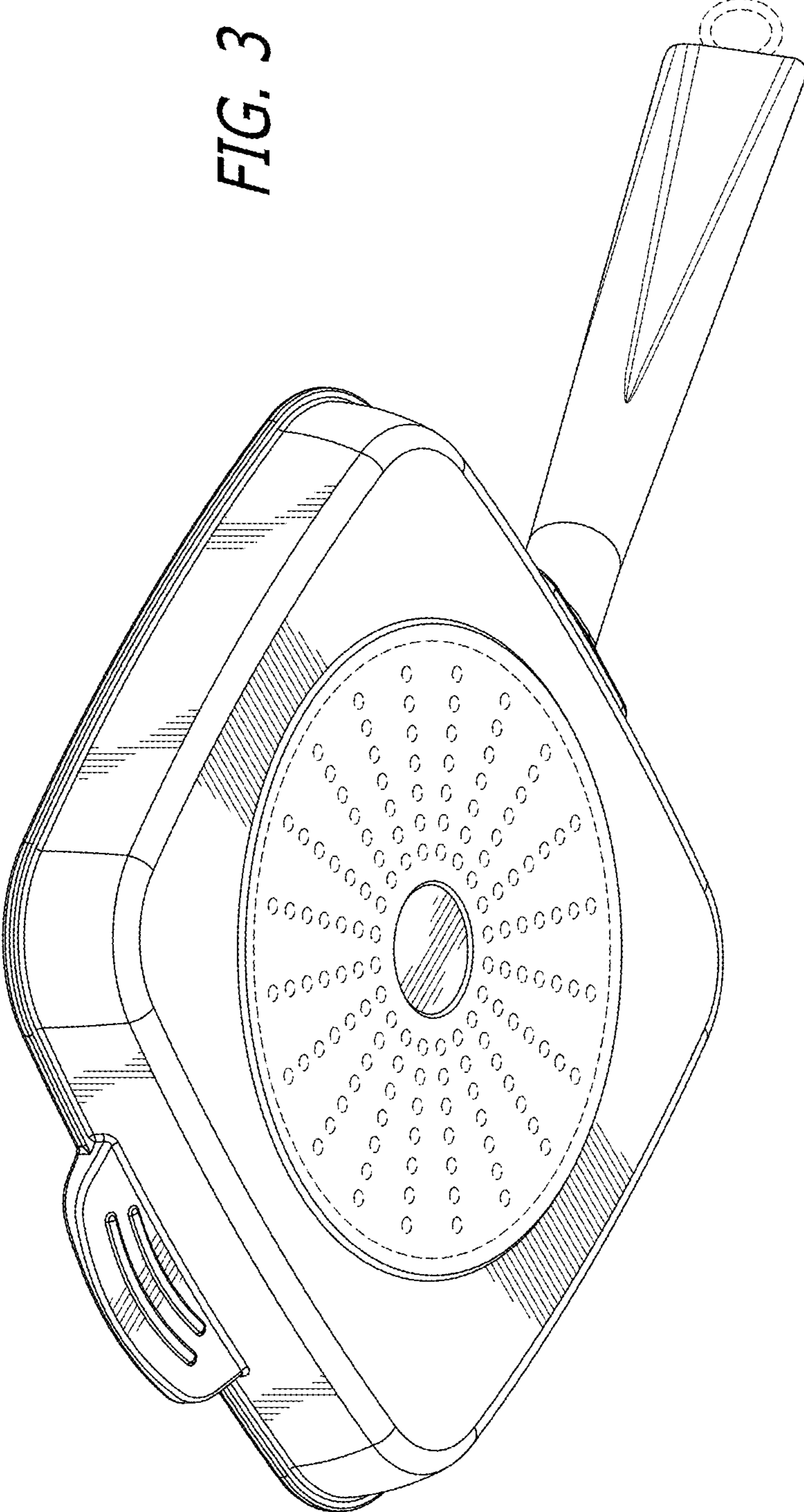
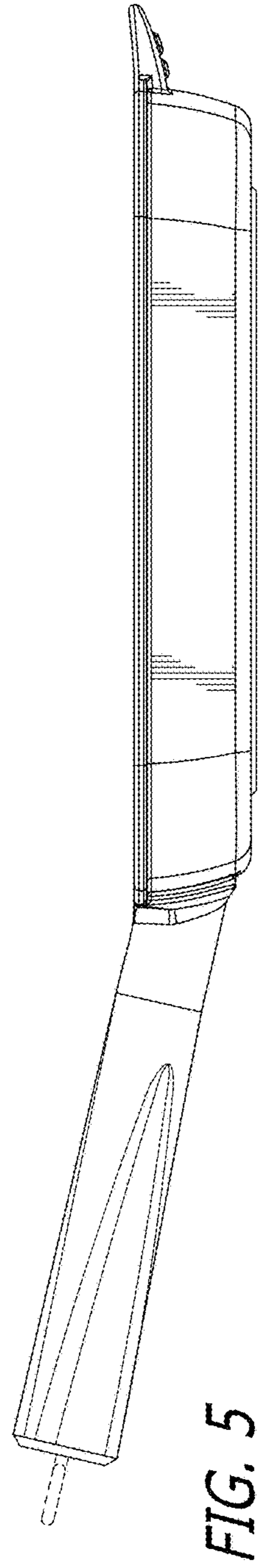
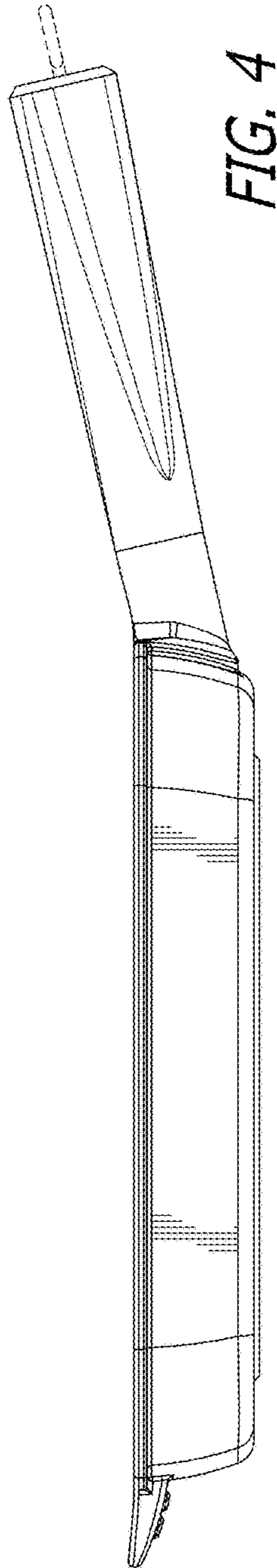


FIG. 3





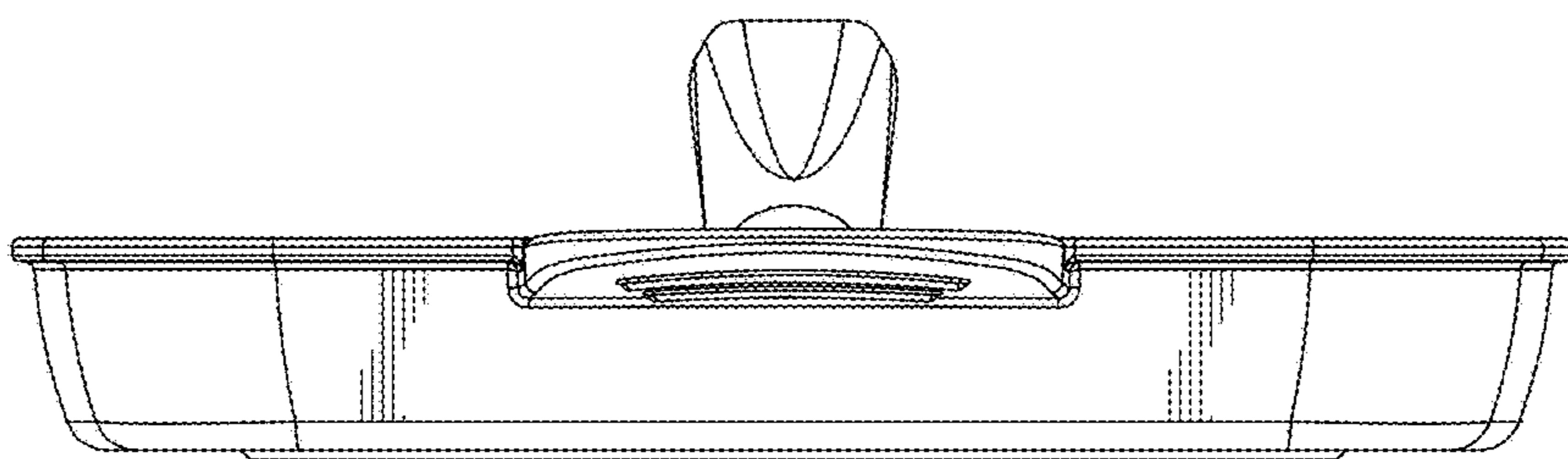


FIG. 6

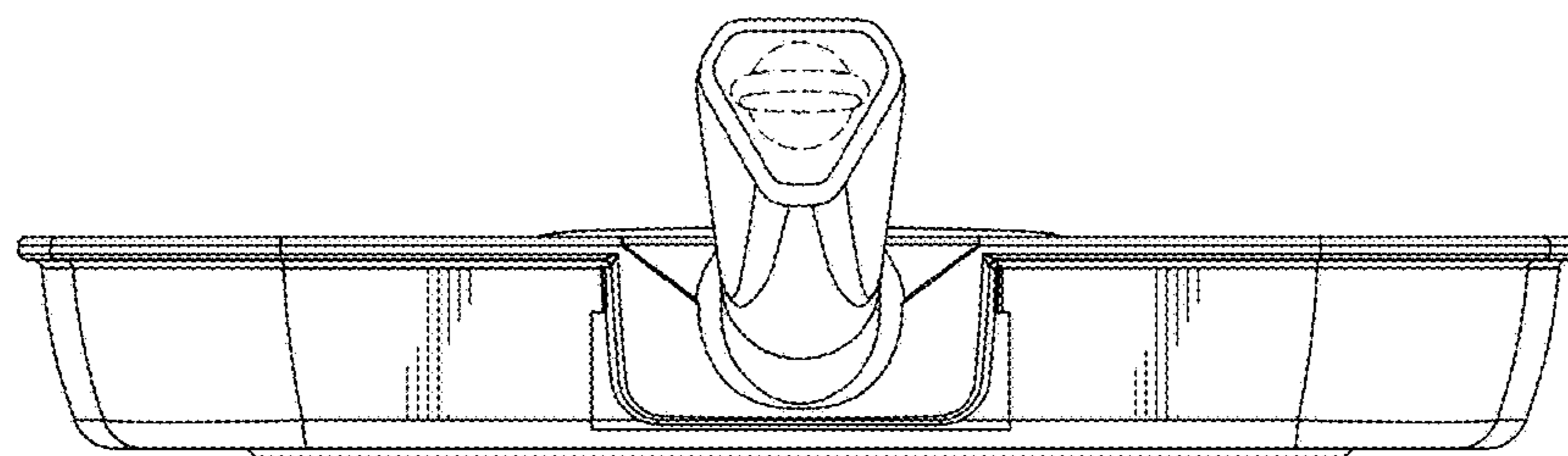


FIG. 7

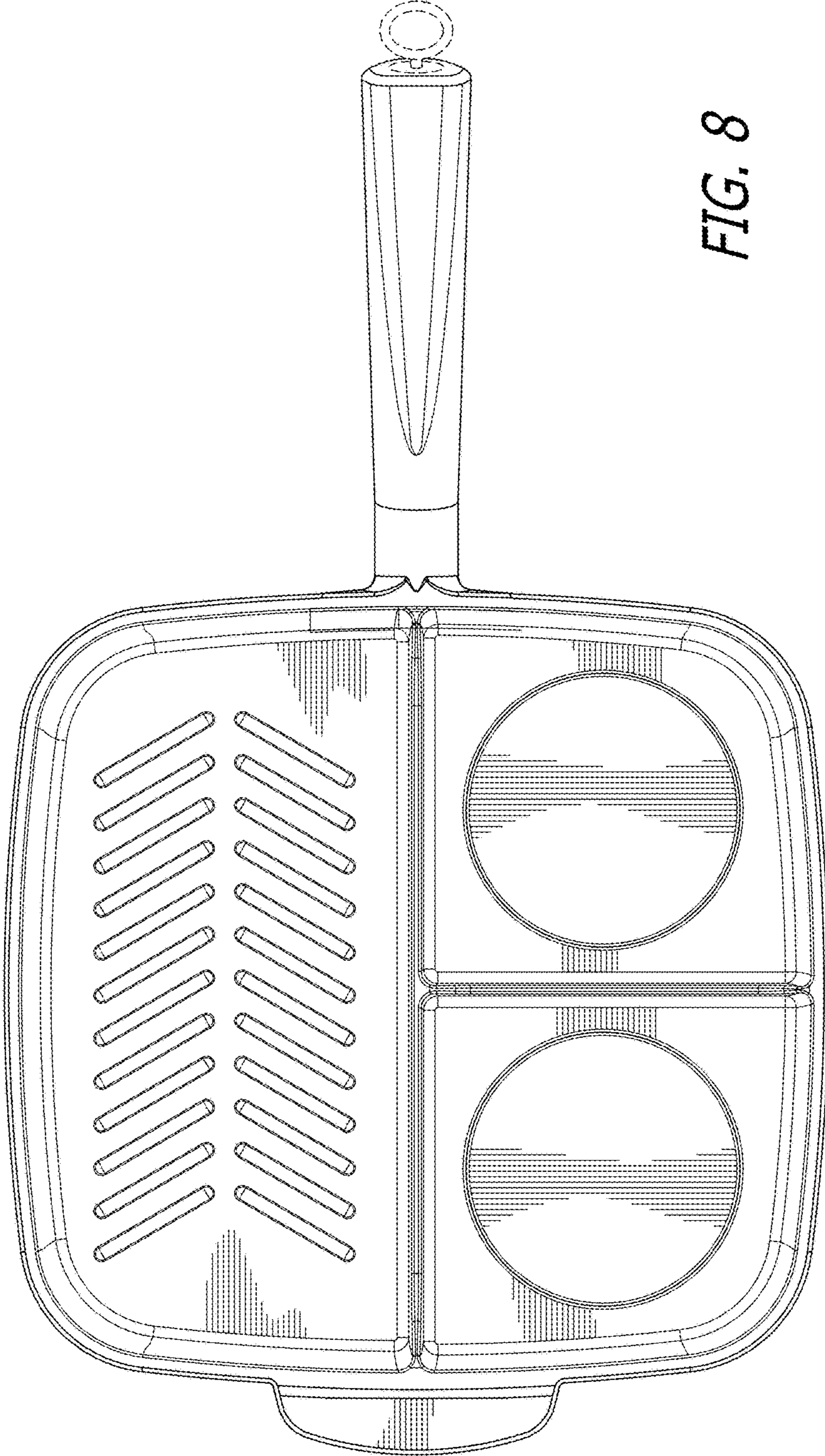


FIG. 8

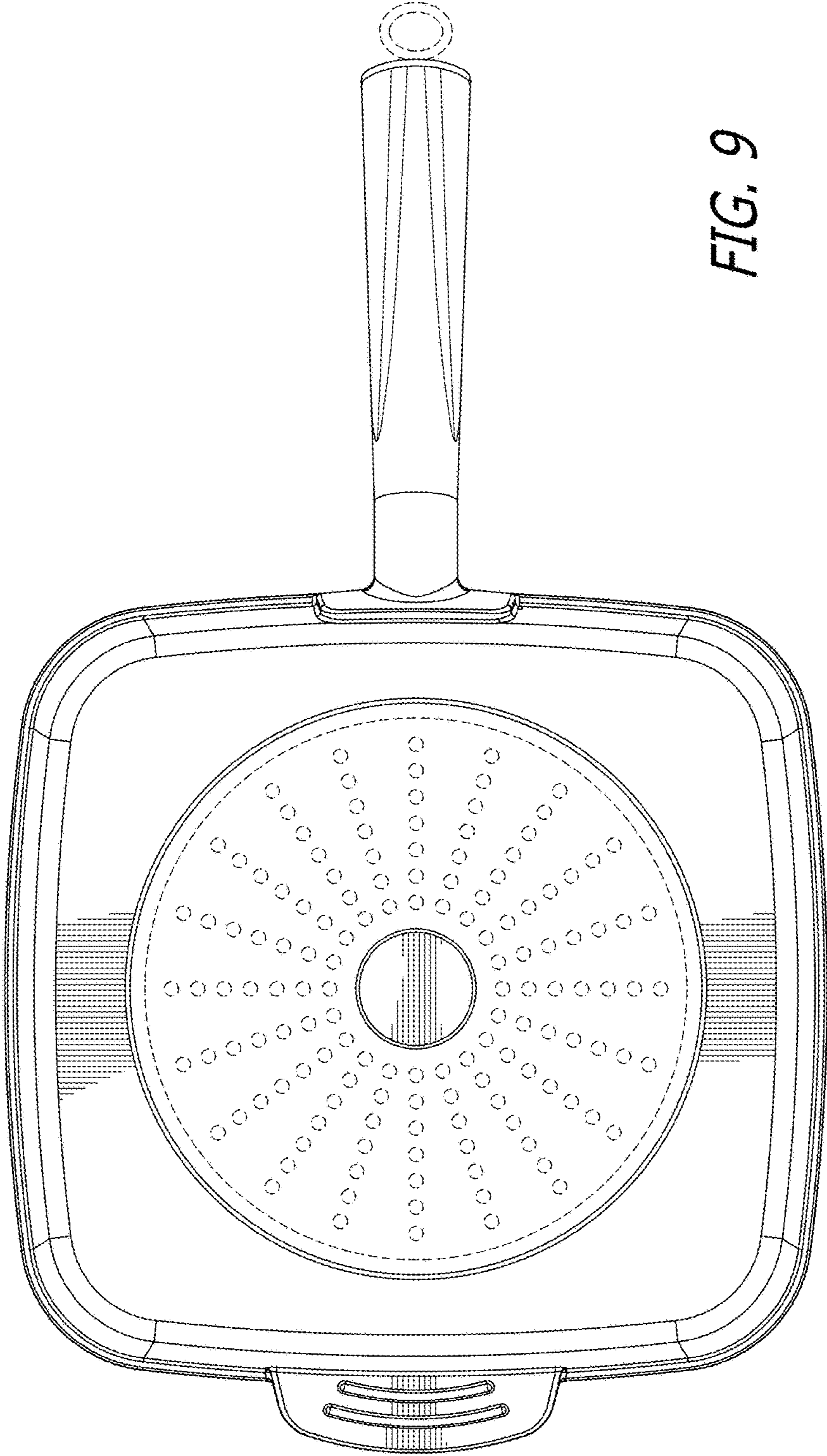


FIG. 9