



US00D828710S

(12) **United States Design Patent**
Mirchandani et al.

(10) **Patent No.: US D828,710 S**

(45) **Date of Patent: ** *Sep. 18, 2018**

(54) **COOKING APPARATUS**

FOREIGN PATENT DOCUMENTS

(71) Applicant: **Tristar Products, Inc.**, Fairfield, NJ (US)

CA 99505 A 6/1906
CN 203776009 U 8/2014

(Continued)

(72) Inventors: **Keith Mirchandani**, Fairfield, NJ (US);
Paul McGrath, Flanders, NJ (US);
James Mitrik, Long Pond, PA (US);
Alejandro G. Lozano, Guttenberg, NJ (US)

Primary Examiner — Ricky Pham

(74) *Attorney, Agent, or Firm* — Adler Pollock & Sheehan P.C.; Daniel J. Holmander, Esq.

(73) Assignee: **Tristar Products, Inc.**, Fairfield, NJ (US)

(57) **CLAIM**

(*) Notice: This patent is subject to a terminal disclaimer.

The ornamental design for a cooking apparatus, as shown and described.

(**) Term: **15 Years**

(21) Appl. No.: **29/596,213**

(22) Filed: **Mar. 6, 2017**

DESCRIPTION

Related U.S. Application Data

The file of this patent contains at least one drawing executed in color. Copies of this patent with color drawings will be provided by the Office upon request and payment of the necessary fee.

(63) Continuation-in-part of application No. 29/595,957, filed on Mar. 3, 2017, and a continuation-in-part of (Continued)

FIG. 1 is a top perspective view of a cooking apparatus in accordance with the subject disclosure.

(51) **LOC (11) Cl.** **07-02**
(52) **U.S. Cl.**
USPC **D7/354; D7/359**

FIG. 2 is a right side view of the cooking apparatus of FIG. 1.

(58) **Field of Classification Search**
USPC D3/304; D7/323, 354–361, 388, 543, D7/545, 549, 550.1, 552.1, 553.1–553.8, (Continued)

FIG. 3 is a left side view of the cooking apparatus of FIG. 1.

(56) **References Cited**

U.S. PATENT DOCUMENTS

573,045 A * 12/1896 Snyder F24C 15/08
126/275 R
1,671,450 A * 5/1928 Ross A21B 3/134
220/23.2

FIG. 4 is a front view of the cooking apparatus of FIG. 1.

FIG. 5 is a rear view of the cooking apparatus of FIG. 1.

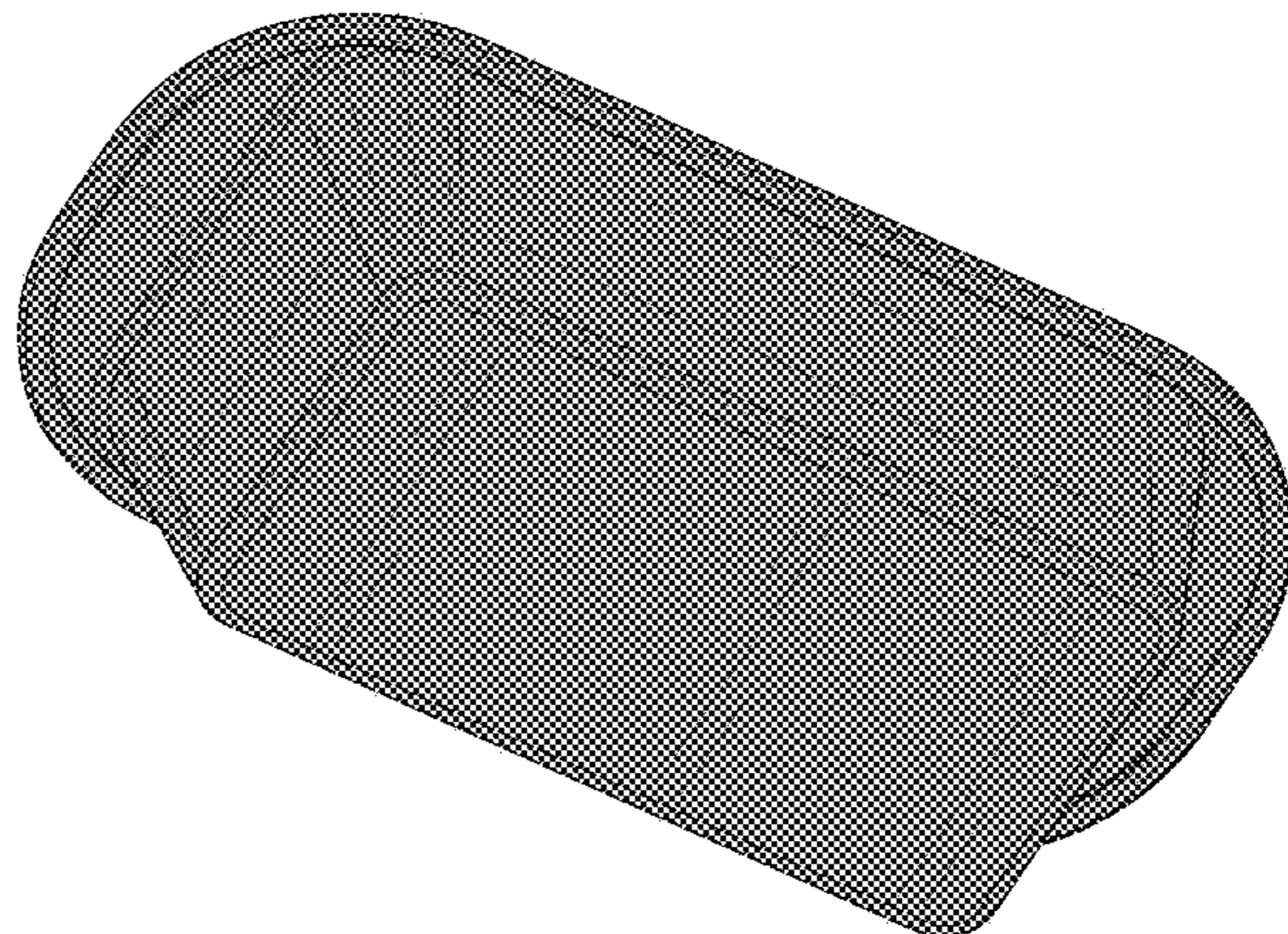
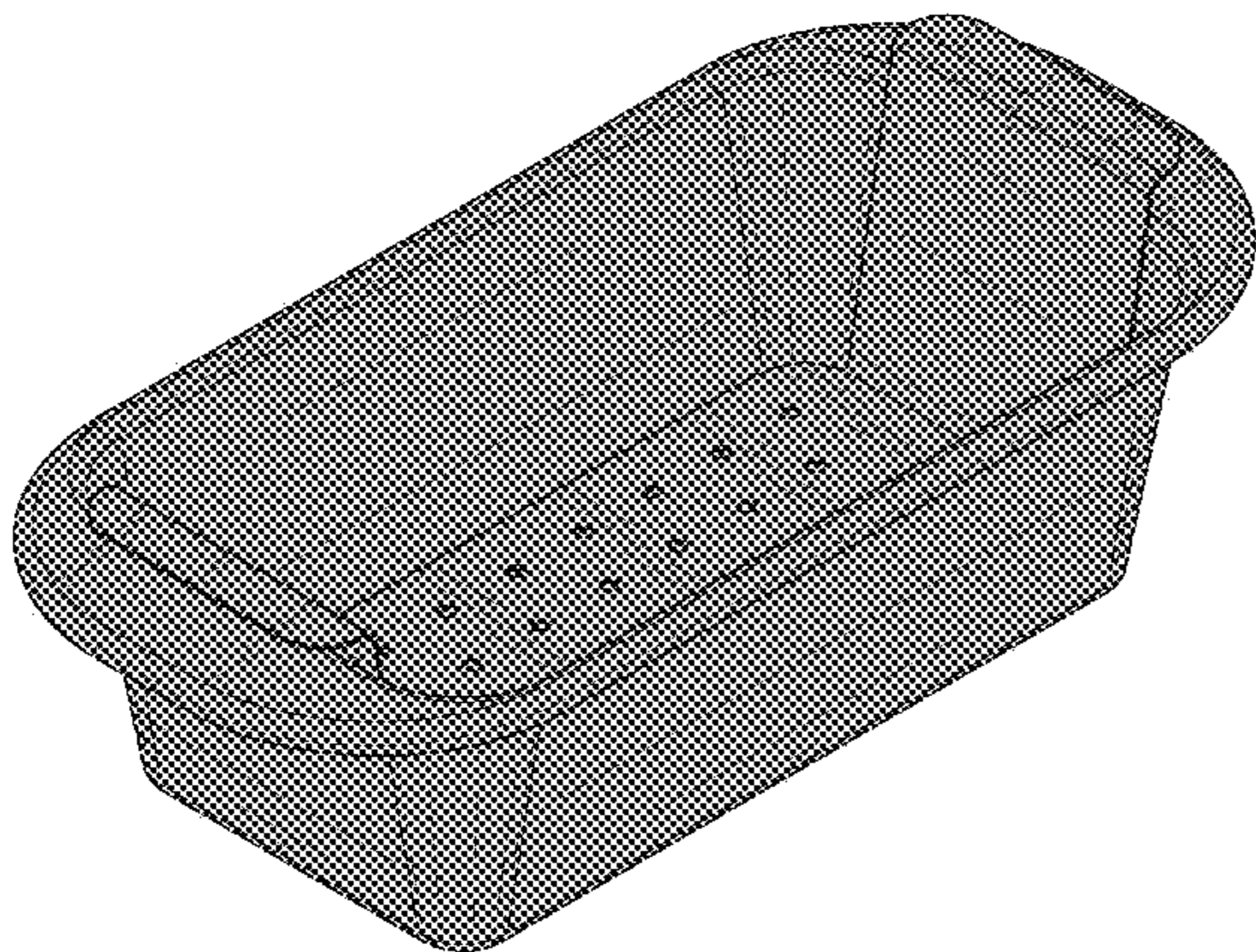
FIG. 6 is a top view of the cooking apparatus of FIG. 1.

FIG. 7 is a bottom view of the cooking apparatus of FIG. 1.

FIG. 8 is a top perspective view of the cooking apparatus of FIG. 1; and,
FIG. 9 is a bottom perspective view of the cooking apparatus of FIG. 1.

(Continued)

1 Claim, 9 Drawing Sheets
(9 of 9 Drawing Sheet(s) Filed in Color)



Related U.S. Application Data

application No. 29/595,966, filed on Mar. 3, 2017, and a continuation-in-part of application No. 29/595,970, filed on Mar. 3, 2017, and a continuation-in-part of application No. 29/595,961, filed on Mar. 3, 2017, and a continuation-in-part of application No. 29/595,954, filed on Mar. 3, 2017, now Pat. No. Des. 801,104.

(58) **Field of Classification Search**

USPC ... D7/554.1-554.4, 555, 584, 586, 602, 609, D7/688; D8/377; D9/430-433, 455-456, D9/737, 756-762
 CPC .. A21B 3/00; A21B 3/003; A21B 3/13; A21B 3/15; A21B 3/134; A21B 3/139; A21B 5/00; A21B 5/02; A47J 36/022; A47J 36/025; A47J 36/027; A47J 36/16; A47J 37/00; A47J 37/04; A47J 37/108; A47J 43/28; A47J 43/282; A47J 43/284; A47J 45/062; A61L 2/26; B65D 1/22; B65D 1/24; B65D 1/34; B65D 1/36; B65D 21/0204; B65D 77/2056; B65D 81/343; B65D 85/36; F24C 15/08

See application file for complete search history.

(56) **References Cited**

U.S. PATENT DOCUMENTS

2,501,588 A * 3/1950 Somers A47J 43/282
 206/804
 3,765,595 A * 10/1973 Bernhardt B65D 77/2056
 206/515
 4,014,451 A 3/1977 Cannon et al.
 4,106,486 A 8/1978 Lee
 4,195,747 A 4/1980 Hare
 4,291,616 A * 9/1981 Taylor A47J 37/108
 99/446
 D286,496 S * 11/1986 Daenen D32/57
 4,773,320 A * 9/1988 Stock A21B 3/13
 249/117
 4,865,858 A 9/1989 Petcavich
 D332,204 S * 1/1993 Carlson D7/629
 D340,614 S * 10/1993 Kaeding D7/354
 D384,555 S 10/1997 Bradley
 5,800,853 A 9/1998 Wang
 6,092,684 A * 7/2000 Sato B65D 21/0204
 206/504

D437,180 S 2/2001 Emrich
 D445,633 S 7/2001 Bradley
 D466,758 S 12/2002 Bradley
 6,546,850 B1 4/2003 Akiyama-Warren
 D528,376 S 9/2006 Munson et al.
 D545,092 S * 6/2007 Knorring, Jr. A47F 1/12
 D8/377
 D559,621 S 1/2008 Raichlen et al.
 D569,169 S 5/2008 Munson
 D584,112 S 1/2009 Ehrenhaus et al.
 D588,859 S 3/2009 Simon et al.
 D615,825 S 5/2010 Curtin
 D630,886 S * 1/2011 Thanasouk D7/354
 D631,299 S * 1/2011 Samartgis D7/602
 D641,217 S 7/2011 Chen et al.
 D644,884 S * 9/2011 Samartgis D7/602
 D662,781 S * 7/2012 Pallotto D7/552.1
 8,241,587 B2 * 8/2012 Friderich A61L 2/26
 206/439
 D677,514 S * 3/2013 Sarnoff D7/354
 D684,733 S 6/2013 Altoon
 8,678,223 B2 * 3/2014 Sarnoff A47J 45/062
 206/449
 D707,077 S * 6/2014 Sarnoff D7/354
 D713,146 S * 9/2014 Ghiorghie D3/304
 D713,196 S * 9/2014 Sarnoff D7/354
 D723,324 S * 3/2015 Feriola D7/354
 D731,230 S * 6/2015 Librus D7/354
 D777,535 S 1/2017 Zemel et al.
 9,723,949 B2 * 8/2017 Moore A47J 36/16
 D801,104 S * 10/2017 Mirchandani D7/354
 2005/0098046 A1 5/2005 Morgan
 2010/0263552 A1 10/2010 Hendrickson
 2015/0069215 A1 3/2015 Kohnen
 2015/0201802 A1 * 7/2015 Moore A47J 36/16
 426/389
 2015/0250189 A1 9/2015 Marin Moro

FOREIGN PATENT DOCUMENTS

GB 802872 A 10/1958
 GB 835370 A 5/1960
 GB 2073582 A 10/1981
 GB 2075824 A 11/1981
 GB 2451496 A 2/2009
 JP 2009508512 A 3/2009
 WO WO-890210 A1 1/1989
 WO WO-9533360 A1 12/1995
 WO WO-2006062527 A1 6/2006

* cited by examiner

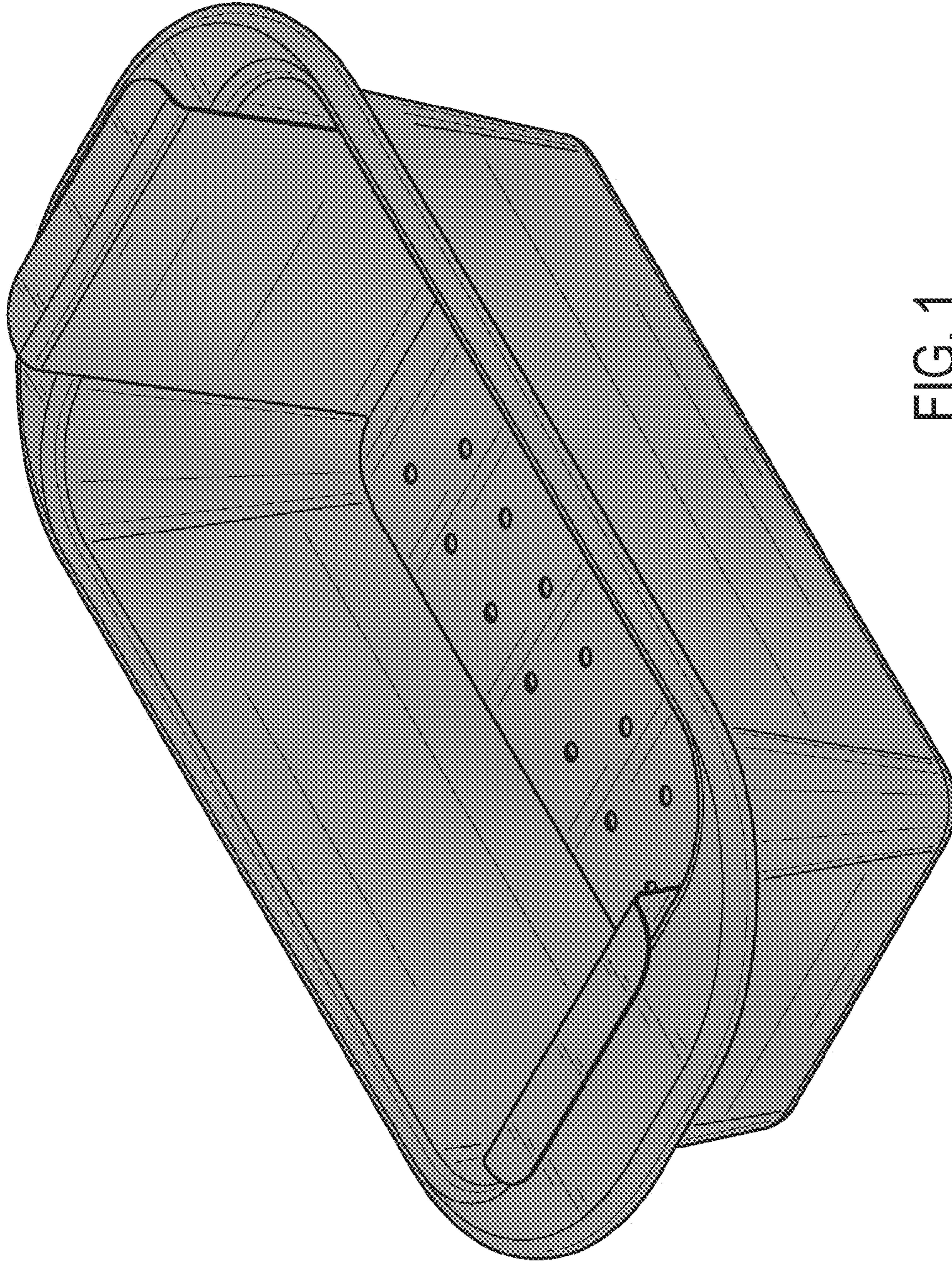


FIG. 1

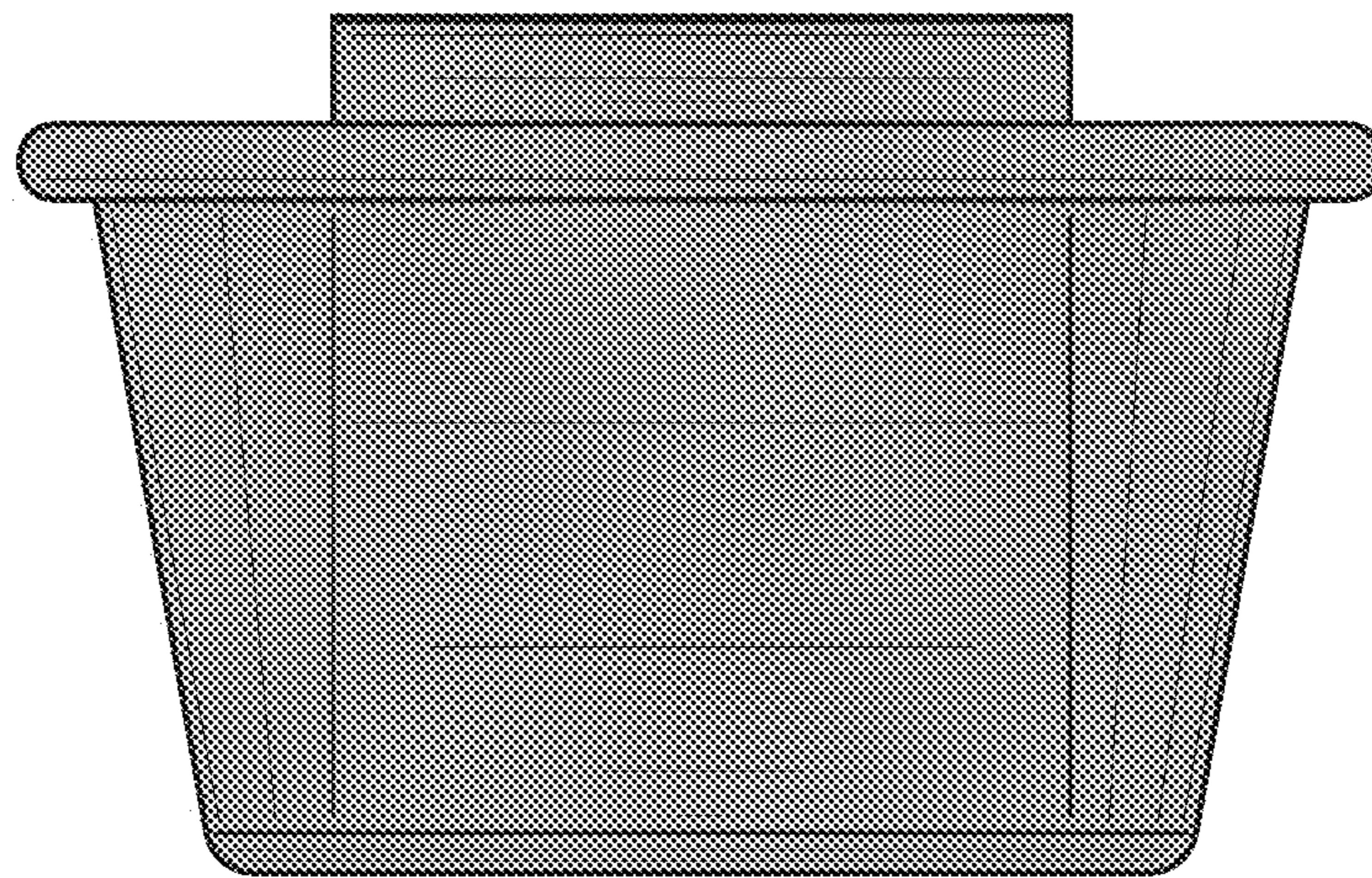


FIG. 2

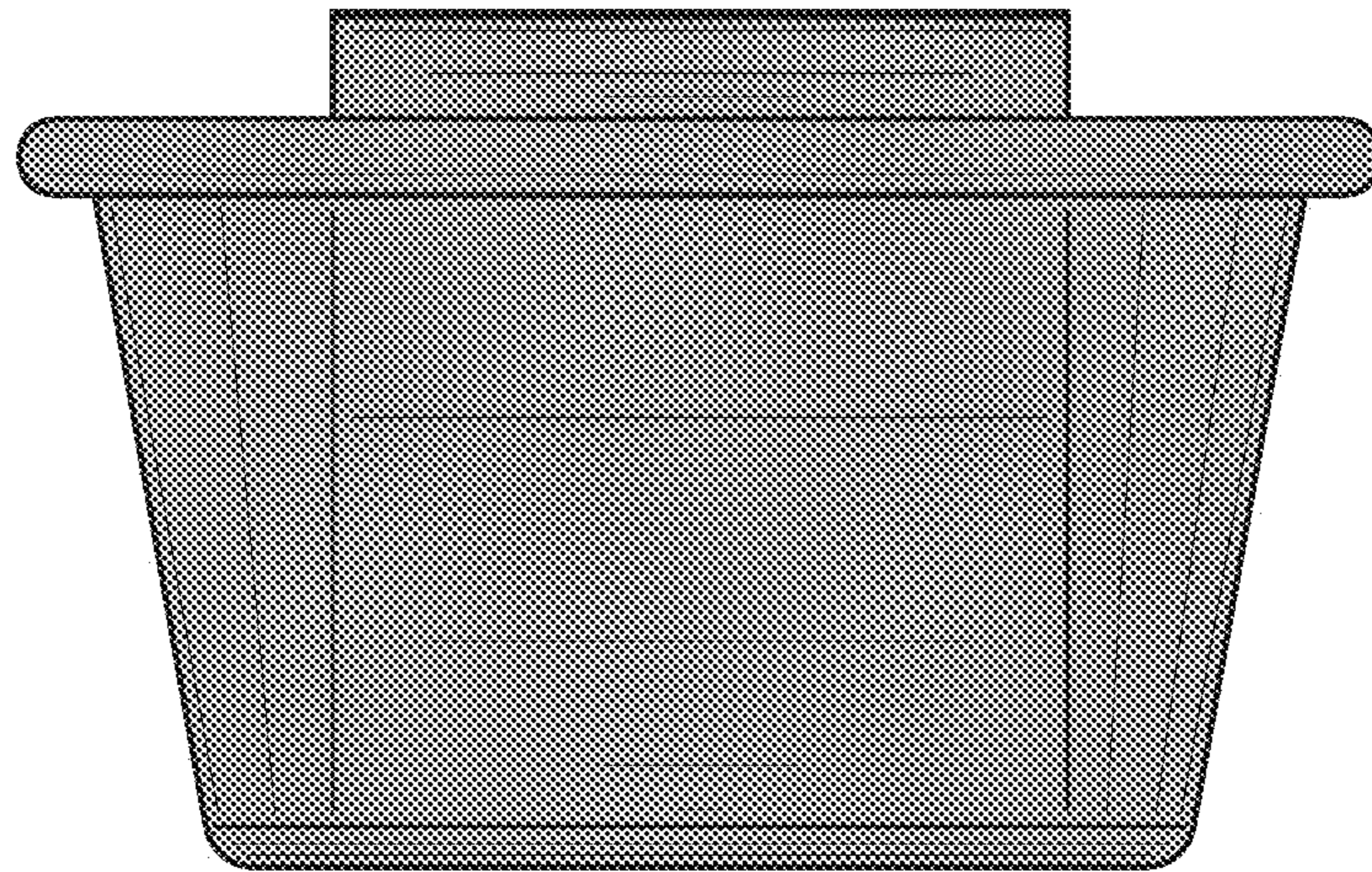


FIG. 3

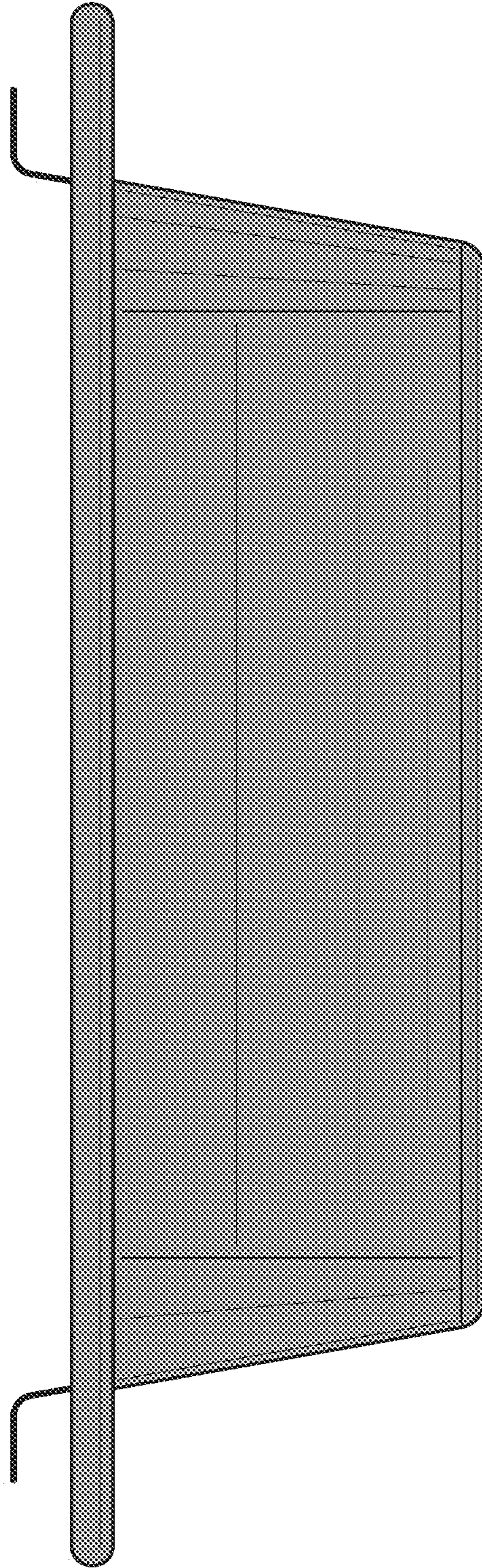


FIG. 4

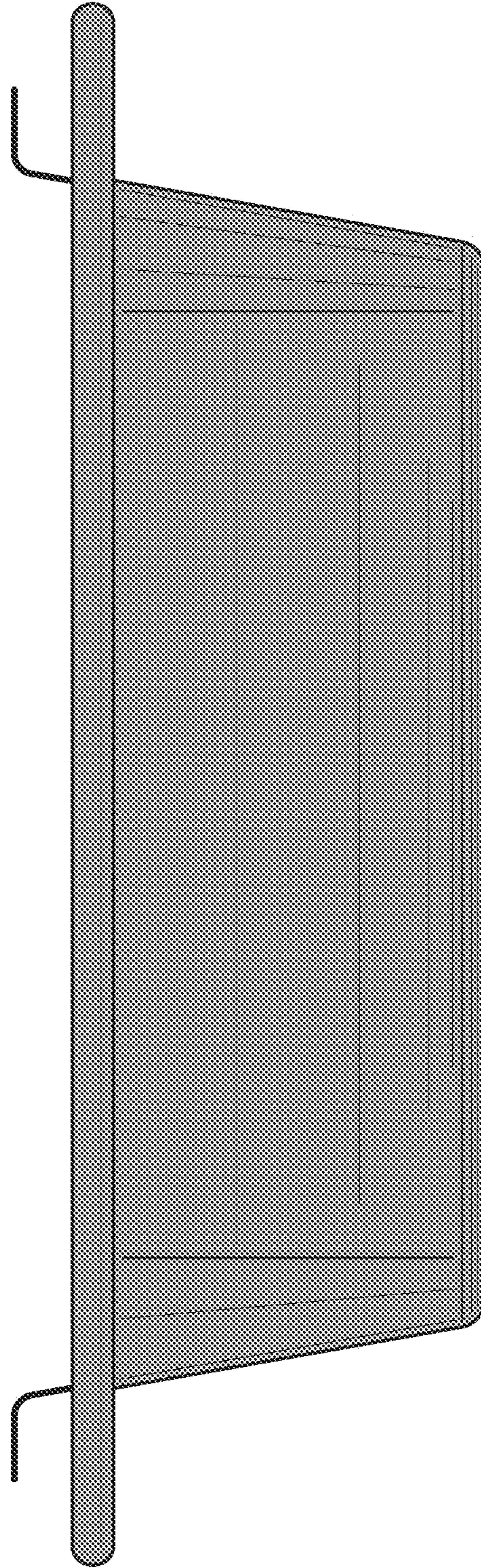


FIG. 5

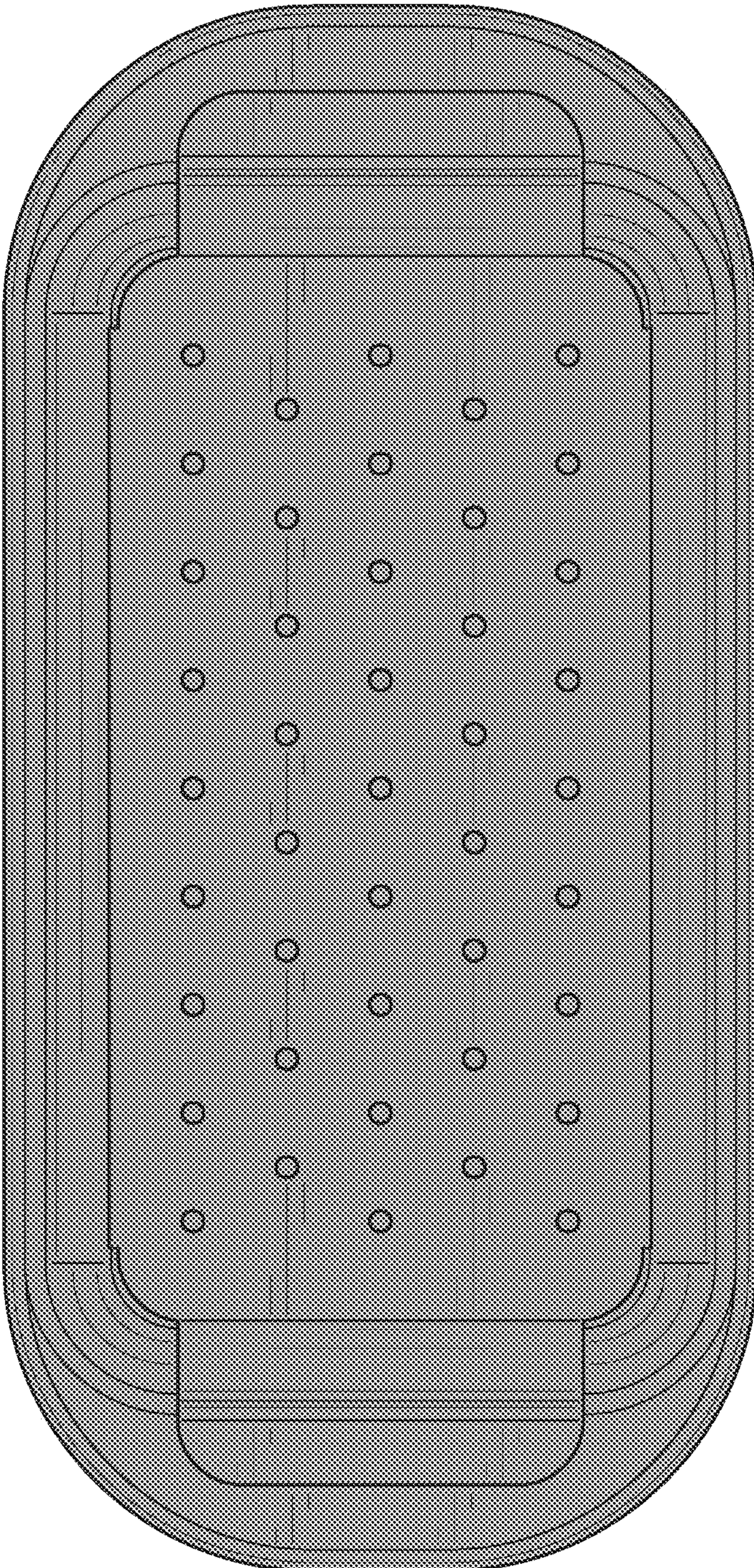


FIG. 6

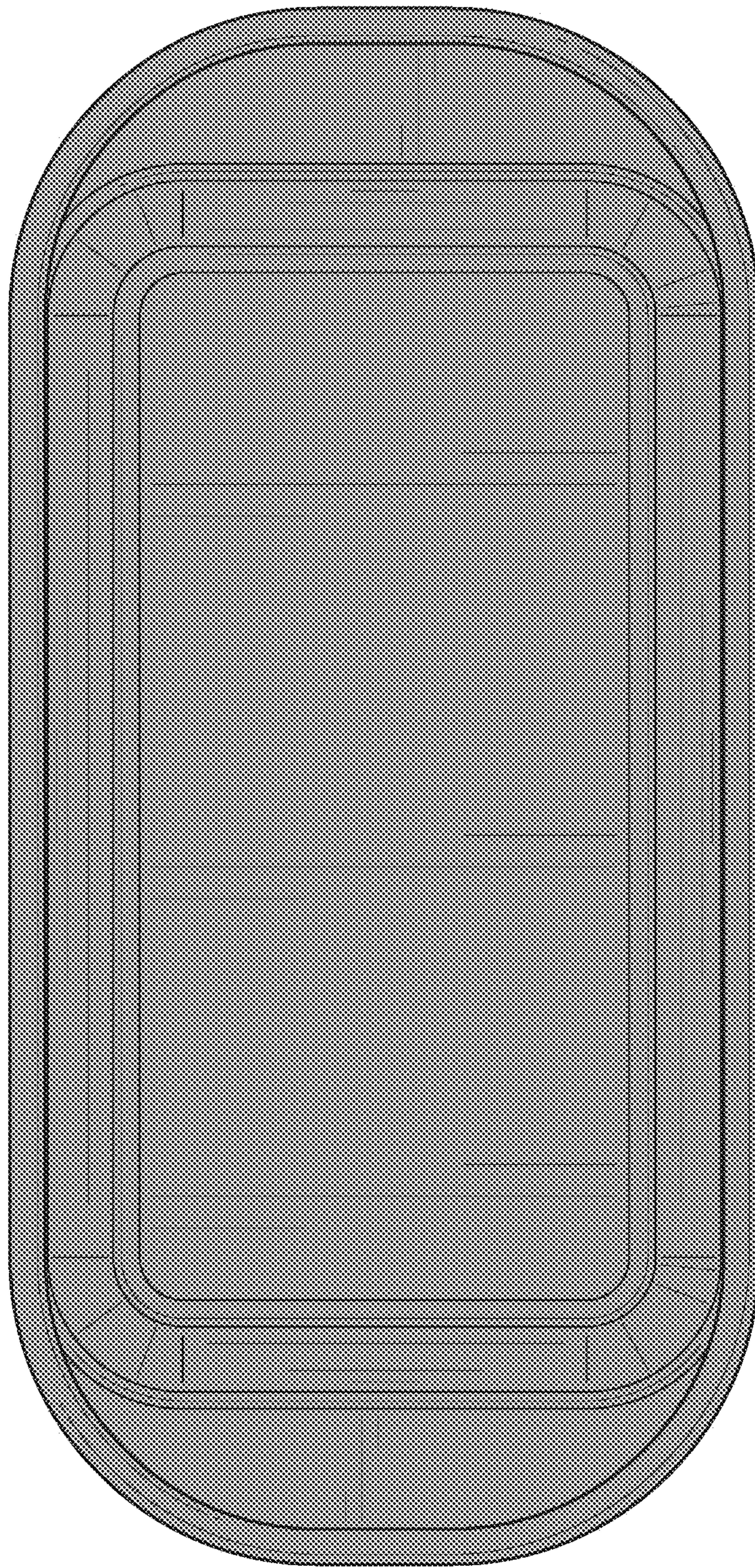


FIG. 7

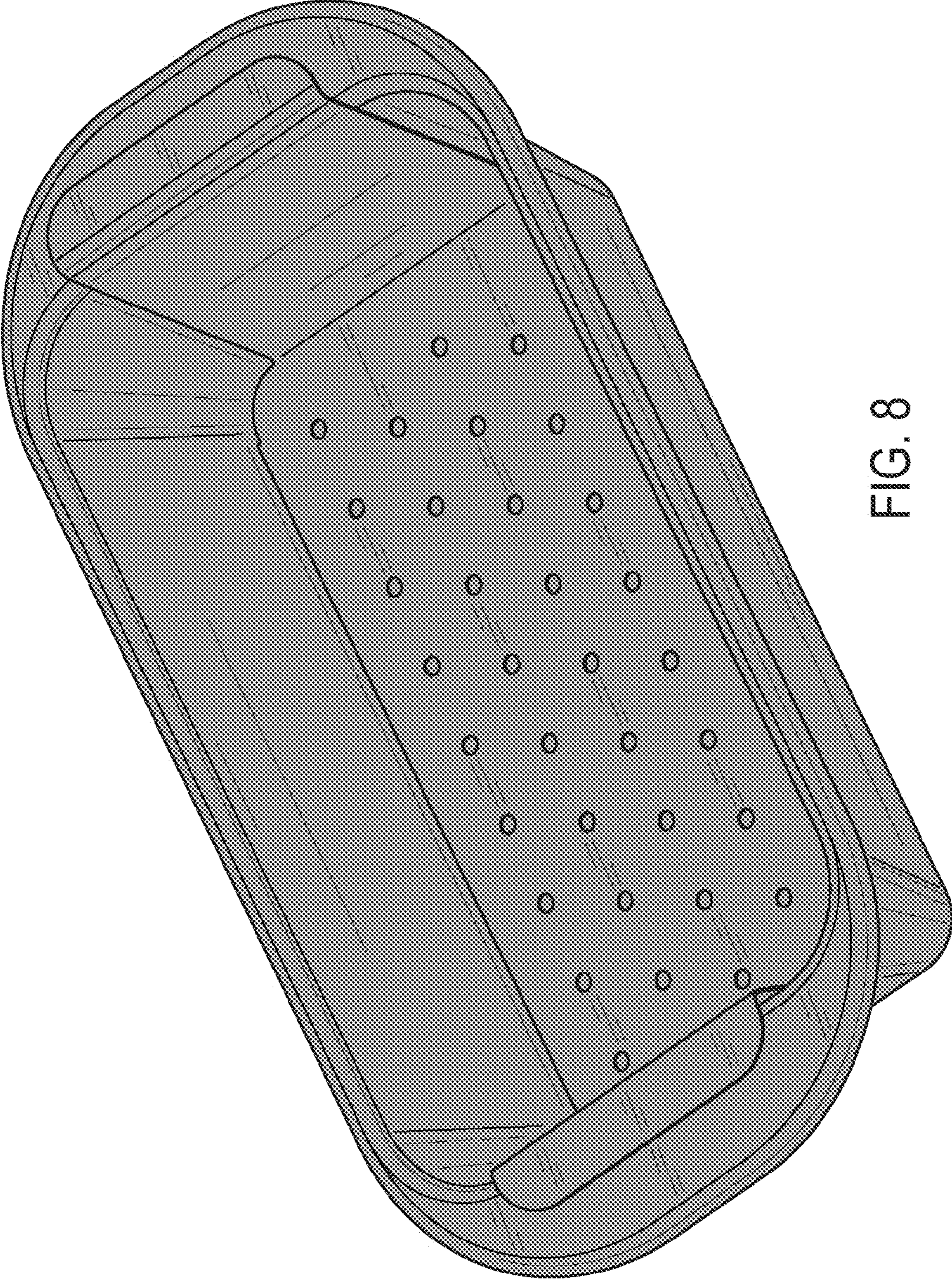


FIG. 8

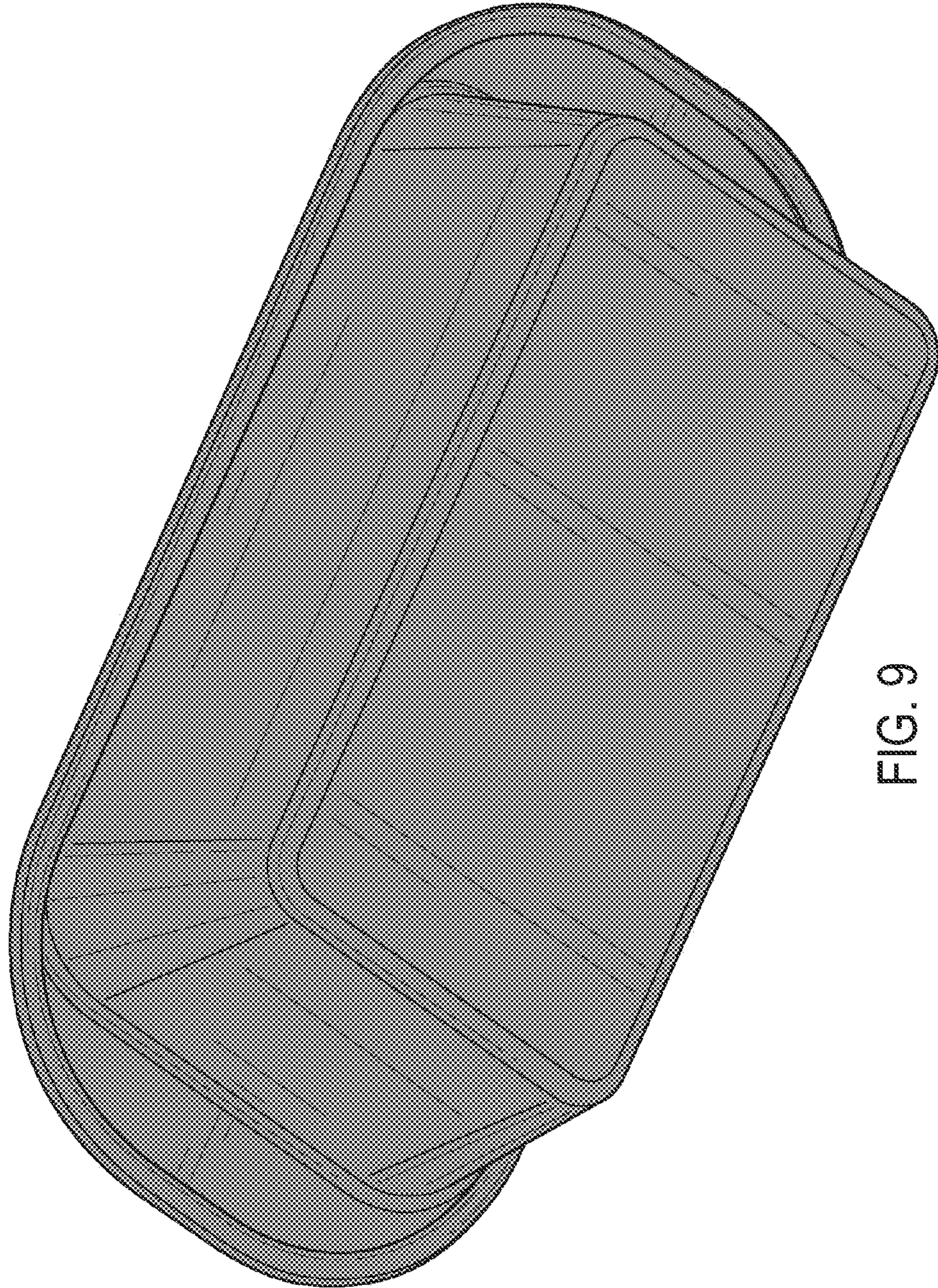


FIG. 9