

US00D828708S

(12) **United States Design Patent**
Lee

(10) **Patent No.:** **US D828,708 S**

(45) **Date of Patent:** **** Sep. 18, 2018**

(54) **ARMREST**

(71) Applicant: **JBL INTERNATIONAL, INC.**,
Houston, TX (US)

(72) Inventor: **Lawrence K. Lee**, Houston, TX (US)

(73) Assignee: **JBL INTERNATIONAL, INC.**,
Houston, TX (US)

(**) Term: **15 Years**

(21) Appl. No.: **29/567,598**

(22) Filed: **Jun. 10, 2016**

(51) **LOC (11) Cl.** **06-01**

(52) **U.S. Cl.**
USPC **D6/716.3**

(58) **Field of Classification Search**
USPC D6/334-336, 345, 348, 369, 370, 374,
D6/376, 379, 380, 716, 716.1, 716.2,
D6/716.3, 716.4, 717
CPC .. A47C 3/02; A47C 4/03; A47C 3/023; A47C
3/029; A47C 4/022; A47C 7/16; A47C
7/54

See application file for complete search history.

(56) **References Cited**

U.S. PATENT DOCUMENTS

D566,975 S * 4/2008 Lee D6/348
D580,197 S * 11/2008 Lee D6/716

D597,325 S * 8/2009 Lee D6/348
D679,105 S * 4/2013 Lee D6/348
D697,331 S * 1/2014 Lee D6/369
D698,563 S * 2/2014 Lee D6/369
D701,392 S * 3/2014 Lee D6/369
D735,482 S * 8/2015 Lee D6/348
D736,528 S * 8/2015 Lee D6/348
D781,631 S * 3/2017 Lee D6/717

* cited by examiner

Primary Examiner — Mimoso De

(74) *Attorney, Agent, or Firm* — Egbert Law Offices,
PLLC

(57) **CLAIM**

The ornamental design for an armrest, as shown and described.

DESCRIPTION

FIG. 1 is a perspective view of a pair of armrests showing my new design.

FIG. 2 is a front view of the armrest;

FIG. 3 is a rear view thereof;

FIG. 4 is a side view thereof;

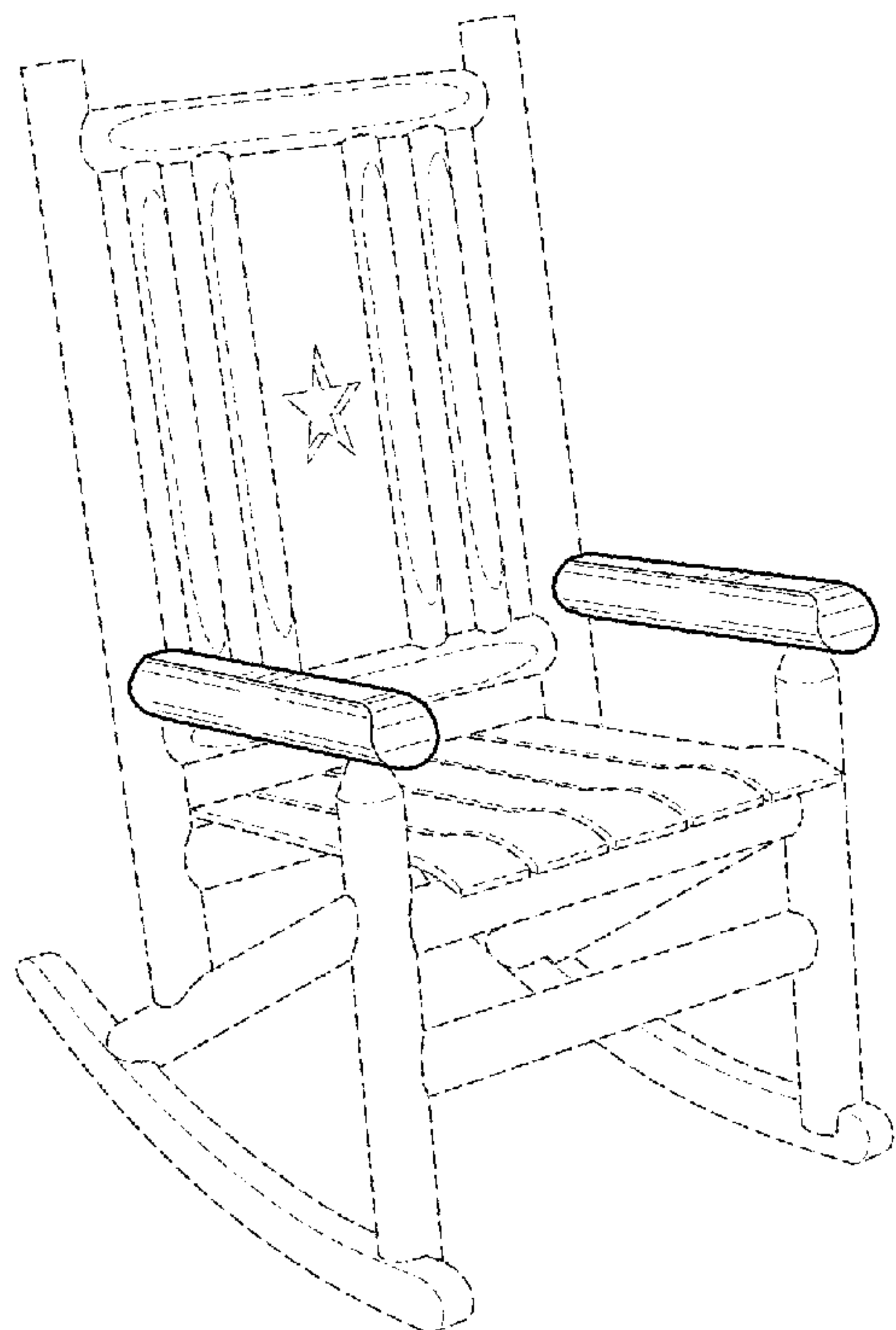
FIG. 5 is an opposite side view thereof;

FIG. 6 is a top view thereof; and,

FIG. 7 is a bottom view thereof.

The features presented in broken lines represent environmental matter and form no part of the claimed design.

1 Claim, 1 Drawing Sheet



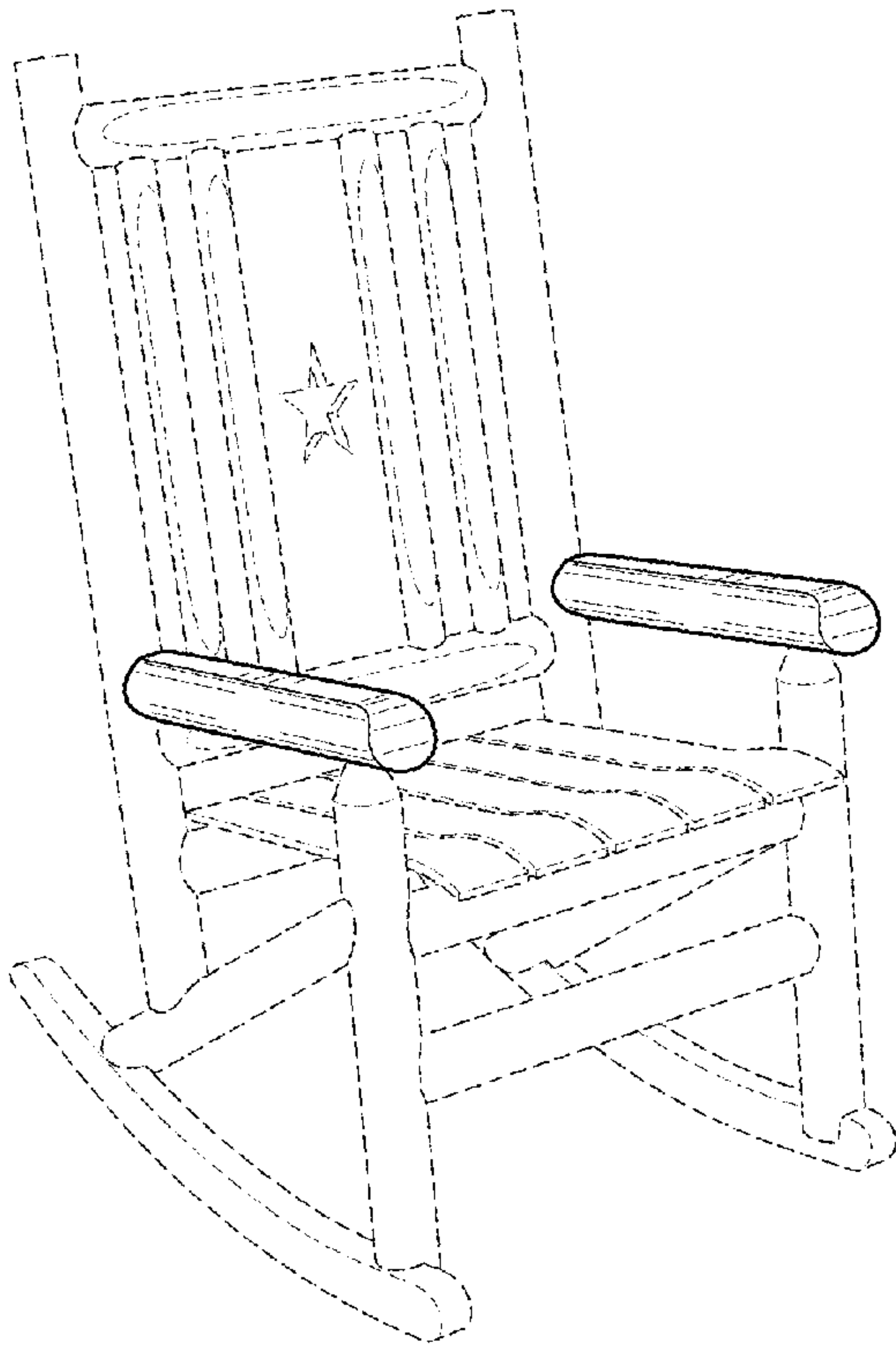


FIG. 1



FIG. 2



FIG. 3



FIG. 4



FIG. 5

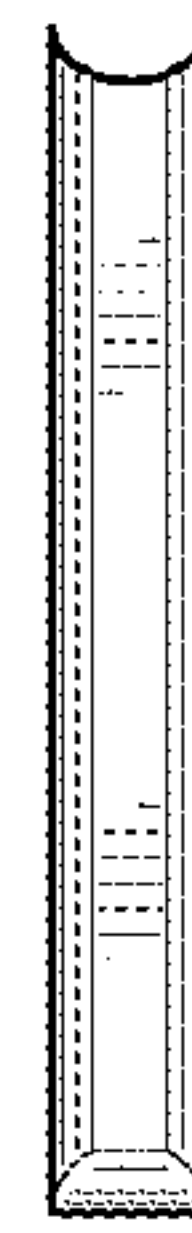


FIG. 6



FIG. 7