



US00D828707S

(12) **United States Design Patent**  
**Kubryk**

(10) **Patent No.:** **US D828,707 S**

(45) **Date of Patent:** **\*\* Sep. 18, 2018**

(54) **TASK CHAIR**

(71) Applicant: **Isaac Kubryk**, Lockeford, CA (US)

(72) Inventor: **Isaac Kubryk**, Lockeford, CA (US)

(73) Assignee: **Global Allies, LLC**, Lockeford, CA (US)

(\*\*) Term: **15 Years**

(21) Appl. No.: **29/617,955**

(22) Filed: **Sep. 18, 2017**

(51) **LOC (11) Cl.** ..... **06-01**

(52) **U.S. Cl.**  
USPC ..... **D6/716; D6/366**

(58) **Field of Classification Search**  
USPC ..... D6/334-336, 364, 365, 366, 371-375,  
D6/379, 380, 716, 716.1, 716.2, 716.4  
CPC .... A47C 4/02; A47C 4/03; A47C 7/18; A47C  
3/12; A47C 5/12; A47C 7/54  
See application file for complete search history.

(56) **References Cited**

**U.S. PATENT DOCUMENTS**

D297,986 S	*	10/1988	Jenkins	.....	D6/366
D330,810 S	*	11/1992	Stafford	.....	D6/366
D402,480 S	*	12/1998	Stafford	.....	D6/366
D403,519 S	*	1/1999	Stafford	.....	D6/366
D603,177 S	*	11/2009	Kubryk	.....	D6/366

D648,158 S	*	11/2011	Kubryk	.....	D6/366
D729,563 S	*	5/2015	Kubryk	.....	D6/716
D730,098 S	*	5/2015	Kubryk	.....	D6/716
D730,099 S	*	5/2015	Kubryk	.....	D6/716
D730,670 S	*	6/2015	Kubryk	.....	D6/716
D766,638 S	*	9/2016	Kubryk	.....	D6/716
D767,318 S	*	9/2016	Kubryk	.....	D6/716
D767,319 S	*	9/2016	Kubryk	.....	D6/716

\* cited by examiner

*Primary Examiner* — Mimoso De

(74) *Attorney, Agent, or Firm* — Audrey A. Millemann;  
Weintraub Tobin

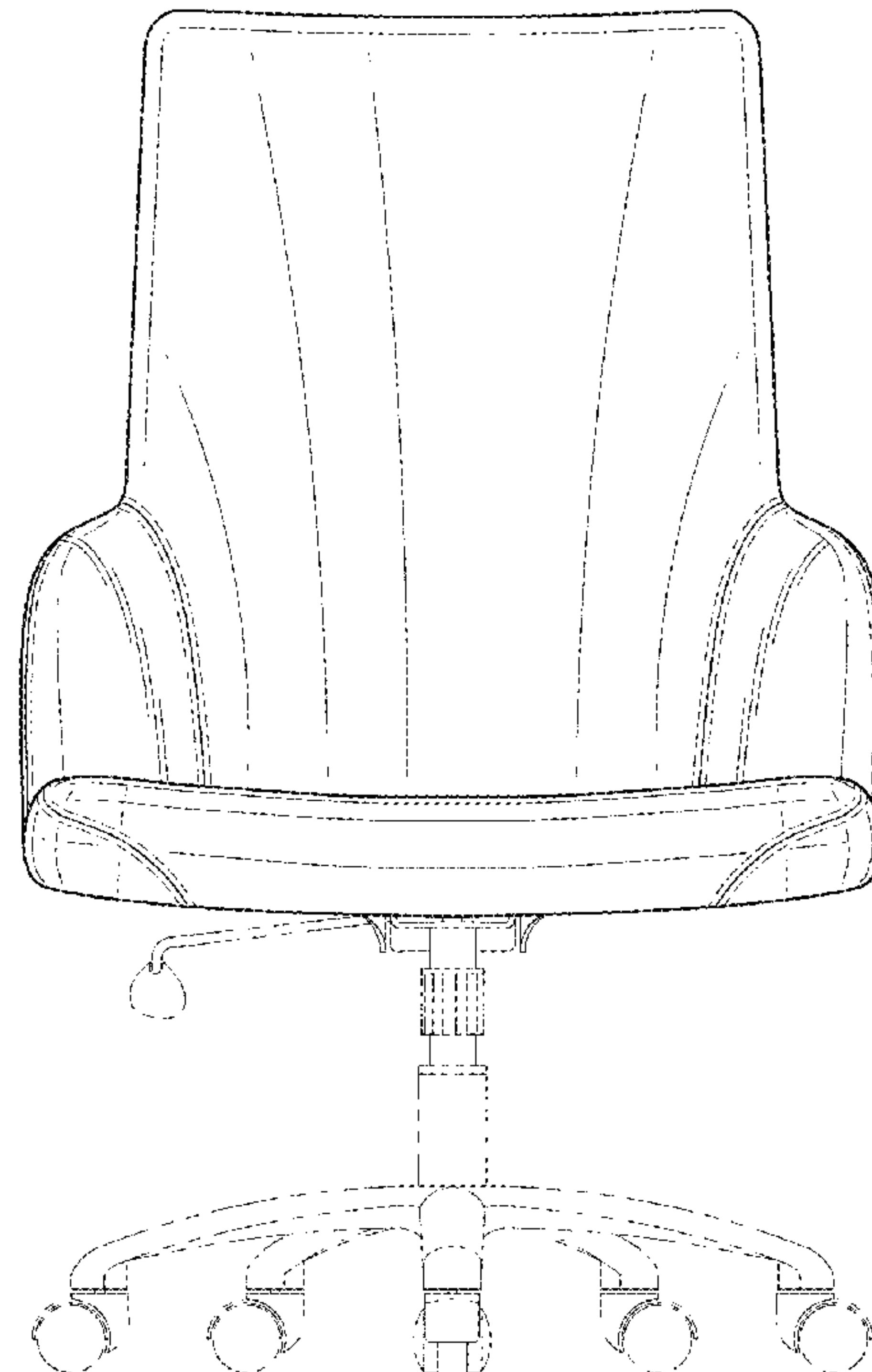
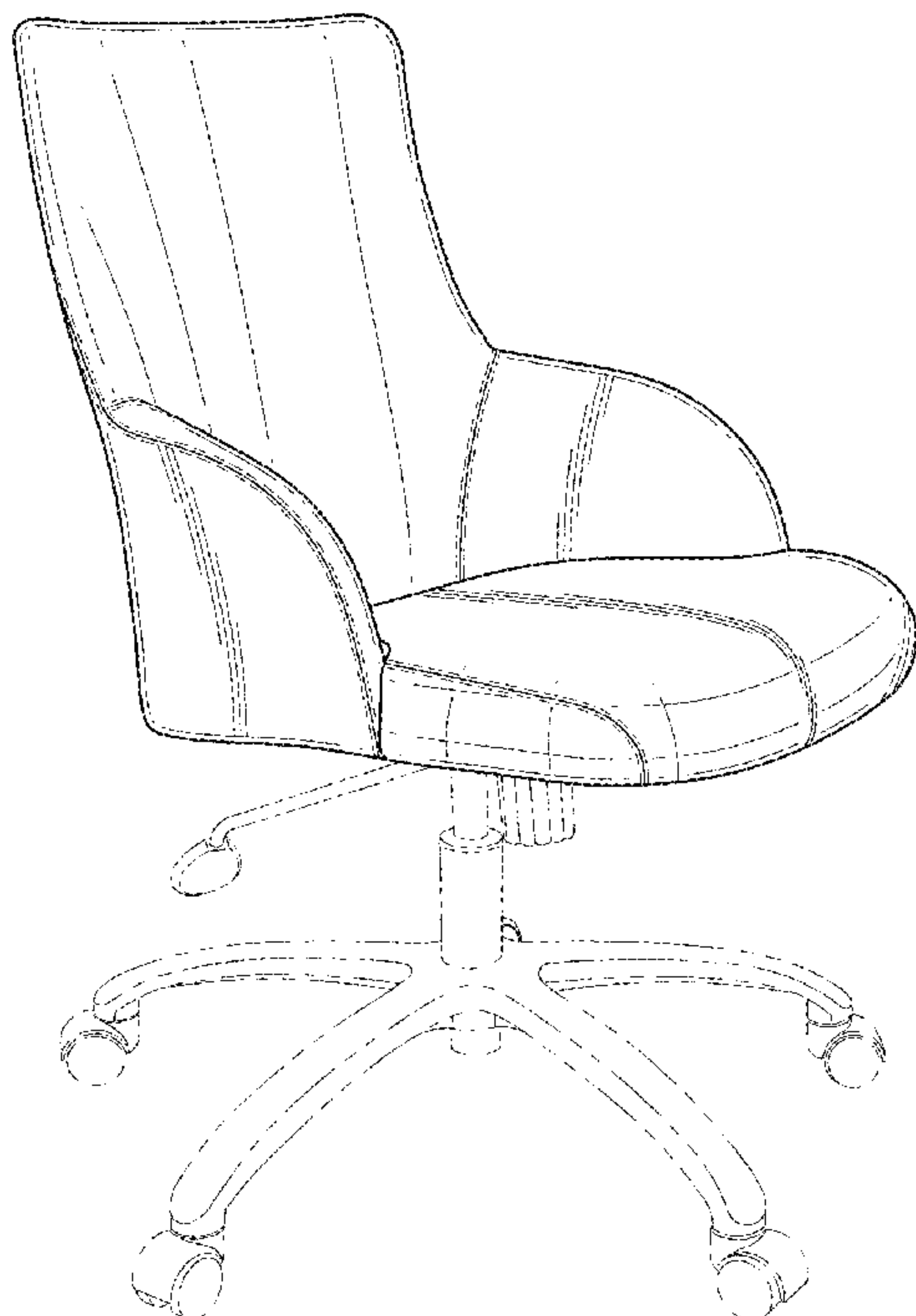
(57) **CLAIM**

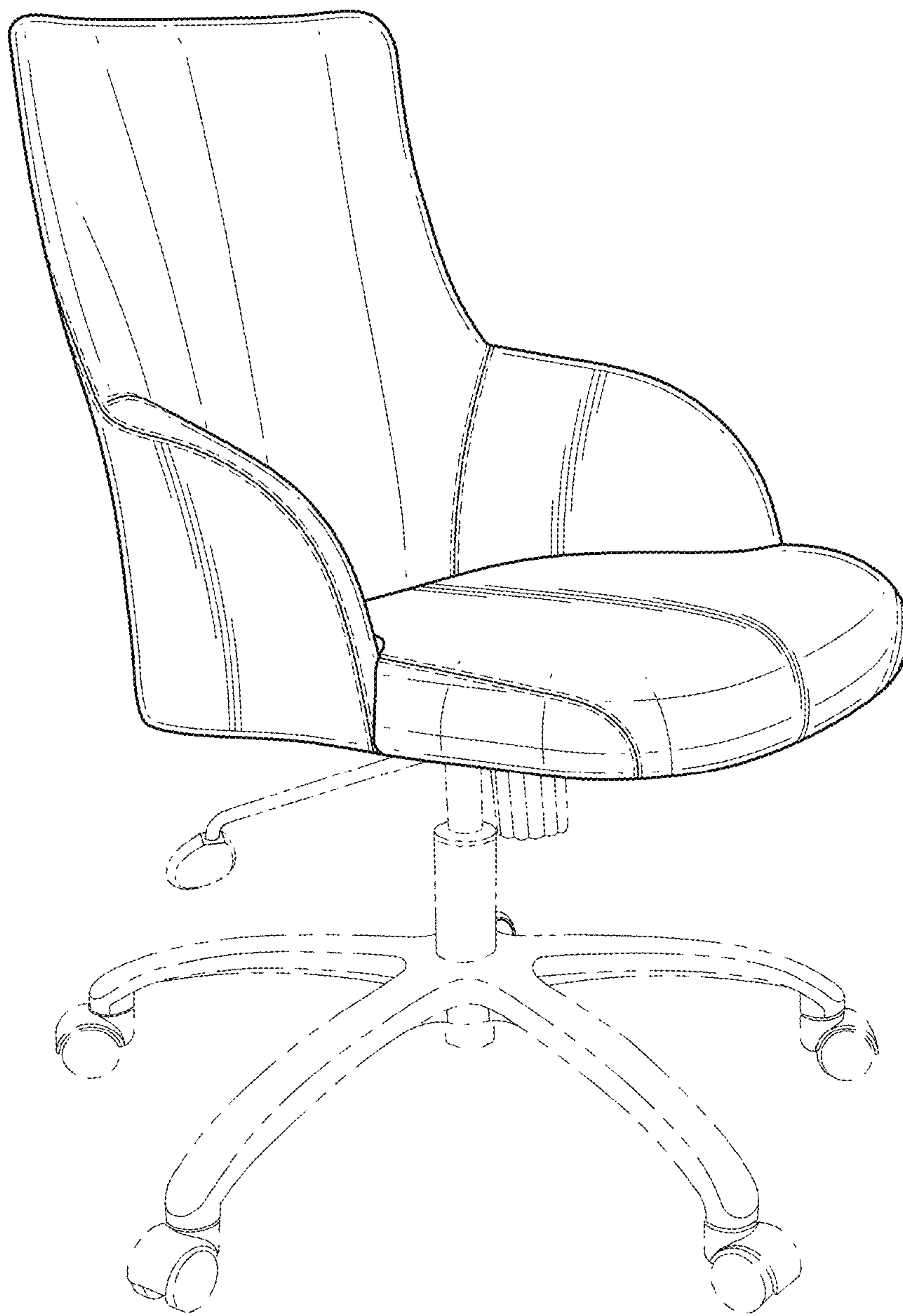
The ornamental design for a task chair, as shown and described.

**DESCRIPTION**

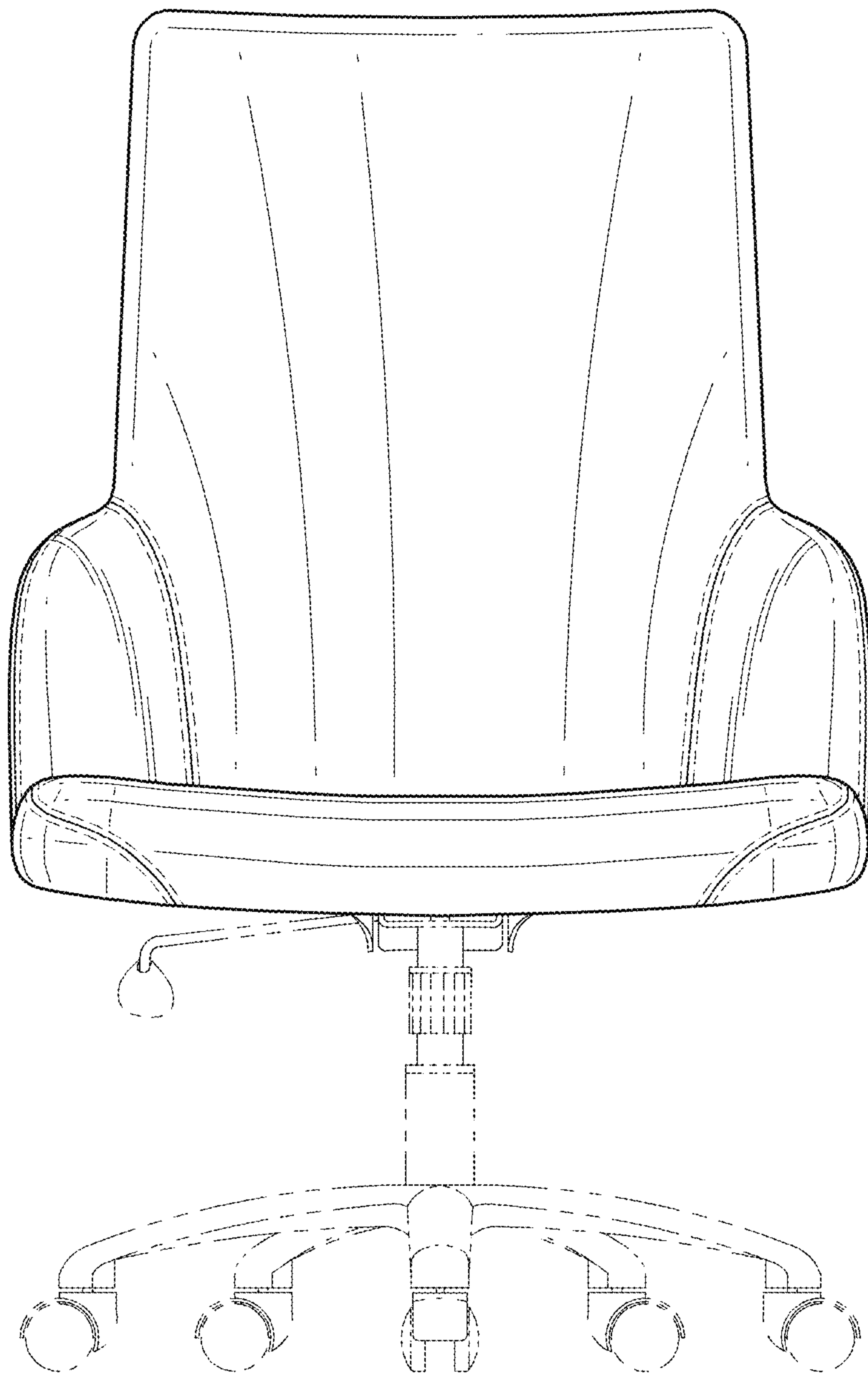
FIG. 1 is a perspective view of a task chair, looking toward the right front corner, showing my new design;  
FIG. 2 is a front view thereof;  
FIG. 3 is a right side view thereof;  
FIG. 4 is a back view thereof;  
FIG. 5 is a top view thereof; and,  
FIG. 6 is a bottom view thereof.  
The broken lines shown in the drawing are for illustrative purposes only and form no part of the claimed design.

**1 Claim, 5 Drawing Sheets**

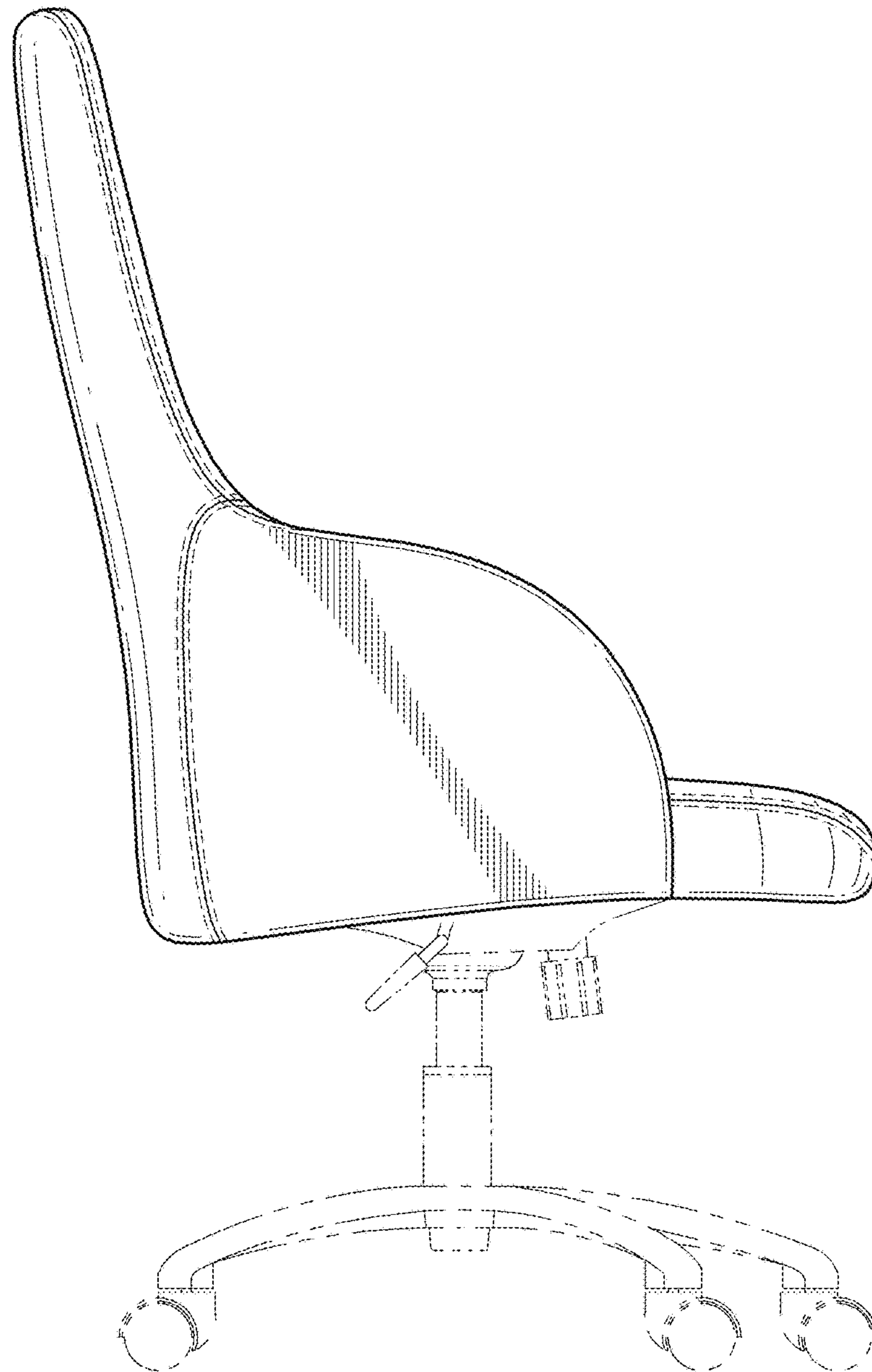




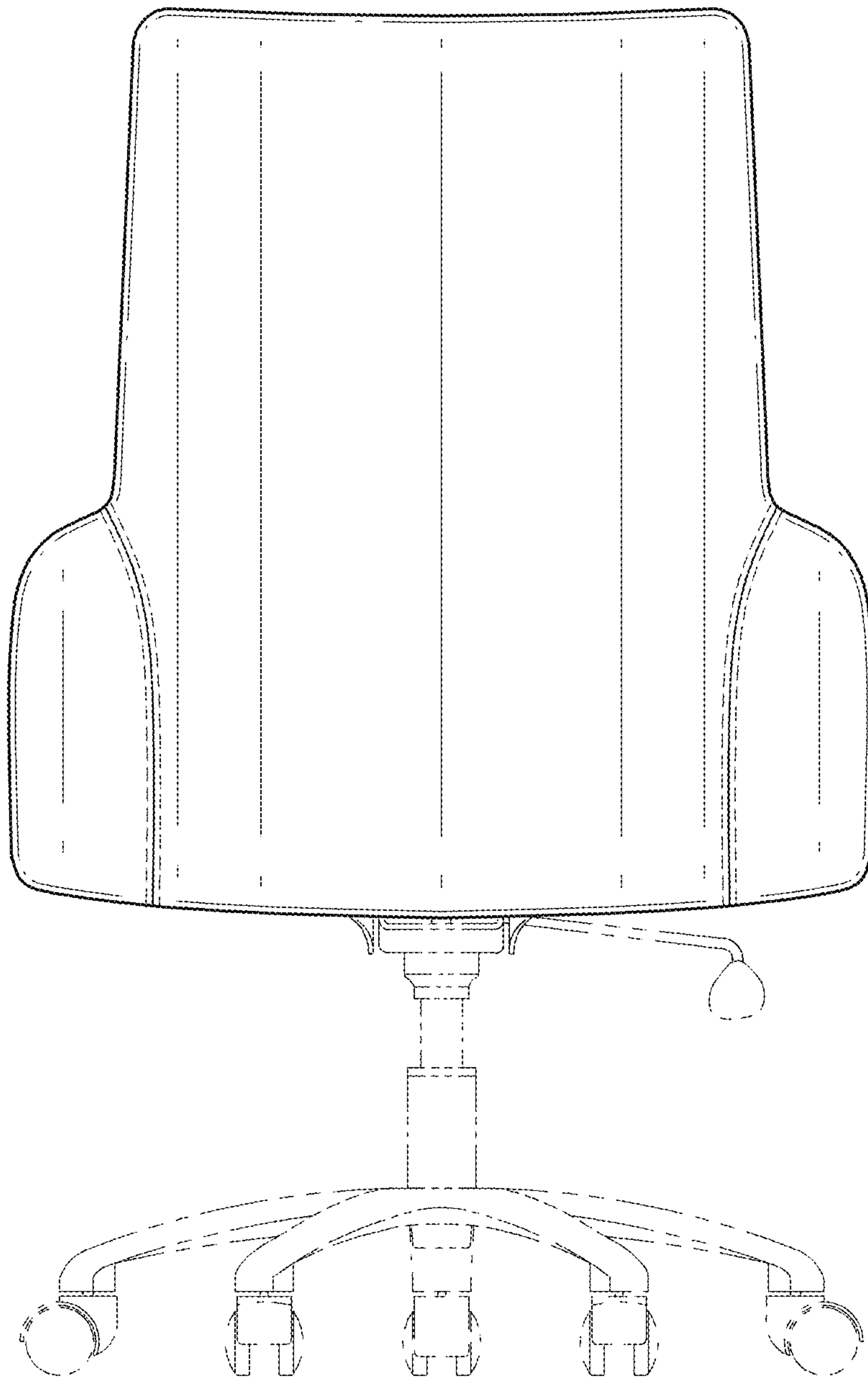
**FIG. 1**



**FIG. 2**

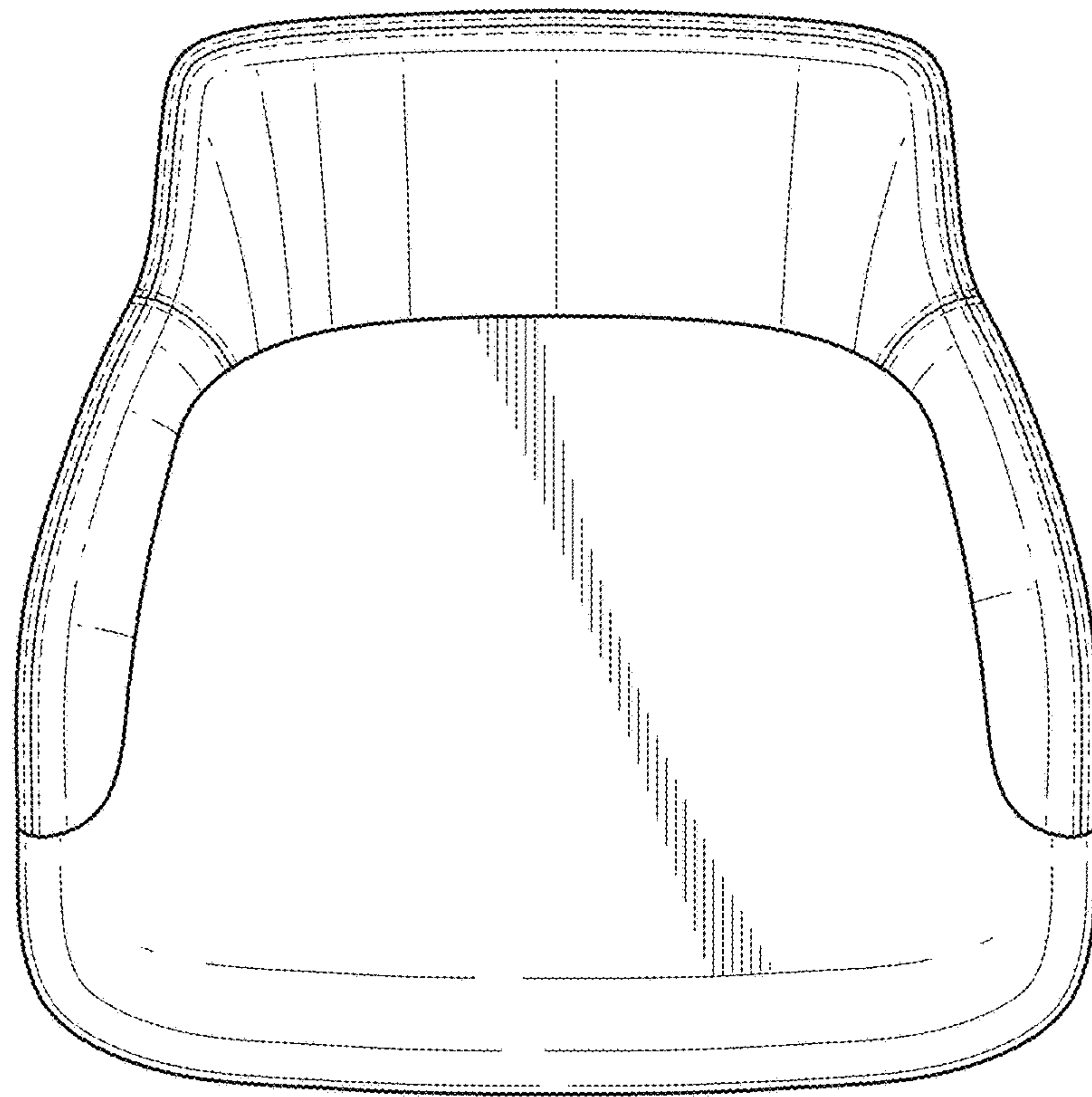


**FIG. 3**

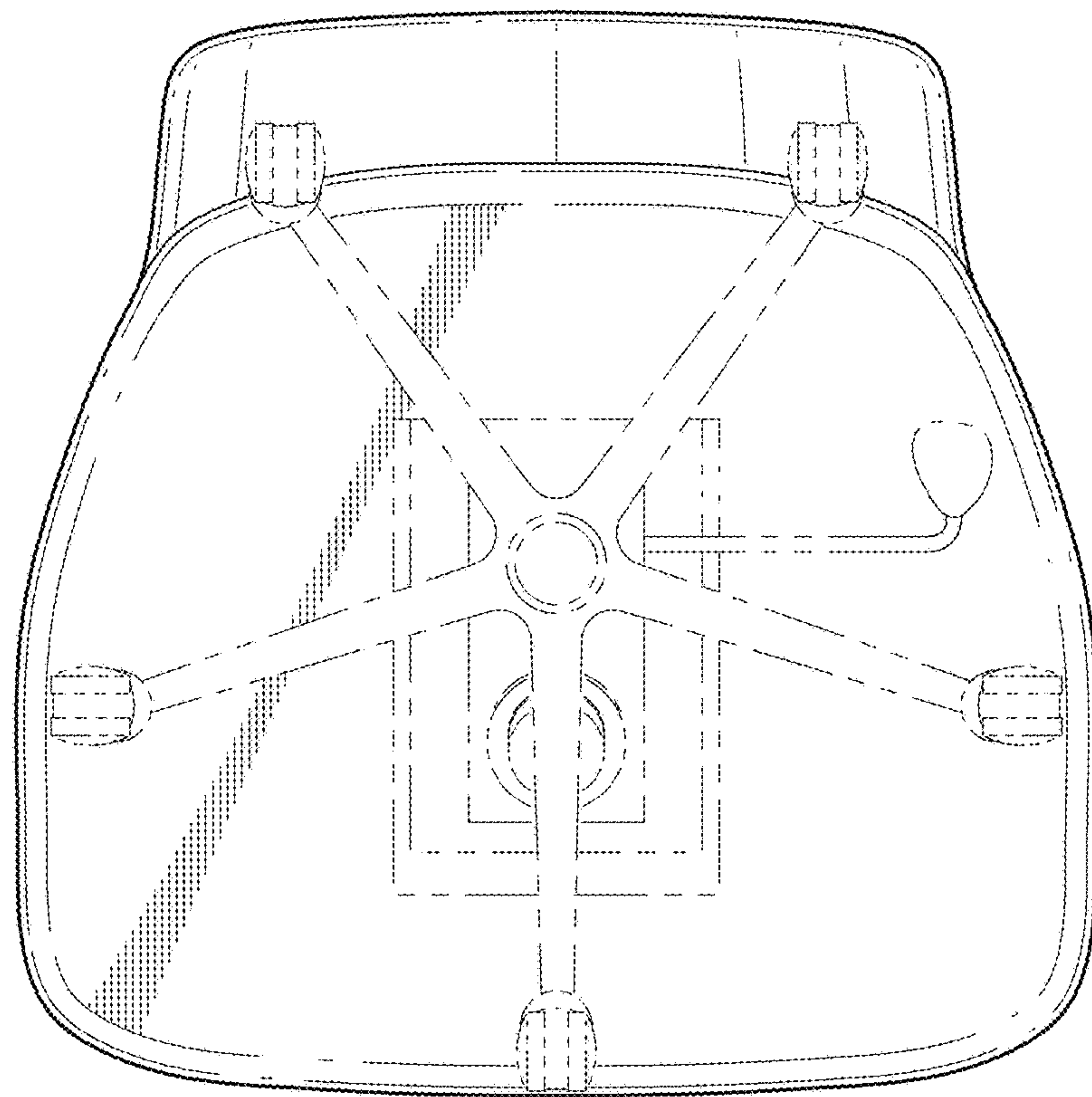


**FIG. 4**





**FIG. 5**



**FIG. 6**