



US00D828706S

(12) **United States Design Patent** (10) **Patent No.:** **US D828,706 S**
Velez et al. (45) **Date of Patent:** **** Sep. 18, 2018**

(54) **MOBILE STACKING CONTAINER**

(71) Applicant: **Sumner Manufacturing Co., Inc.**,
Houston, TX (US)

(72) Inventors: **Lawrence Velez**, Houston, TX (US);
Stephen Vasconi, Houston, TX (US)

(73) Assignee: **SUMNER MANUFACTURING
COMPANY, LLC**, Houston, TX (US)

(**) Term: **15 Years**

(21) Appl. No.: **29/587,998**

(22) Filed: **Dec. 16, 2016**

(51) **LOC (11) Cl.** **06-06**

(52) **U.S. Cl.**
USPC **D6/675.5**

(58) **Field of Classification Search**
USPC D3/304, 306, 312, 314, 315, 328;
D9/414, 432; D6/672, 675, 705.6;
D7/600.1, 601-602
CPC B65D 1/22; B65D 1/38; B65D 21/0209;
B65D 21/0211
See application file for complete search history.

(56) **References Cited**

U.S. PATENT DOCUMENTS

D499,921 S *	12/2004	Moon	D6/552
D651,839 S *	1/2012	Chen	D6/552
D653,876 S *	2/2012	Snider	D6/675.5
D675,849 S *	2/2013	Tawil	D6/705.6

D675,850 S *	2/2013	Tawil	D6/705.6
D683,963 S *	6/2013	Tsai	D3/304
D698,604 S *	2/2014	Tsai	D6/705.6
D698,605 S *	2/2014	Tsai	D6/705.6
D756,168 S *	5/2016	Tsai	D6/705.6
D778,647 S *	2/2017	Snider	D6/705.6
9,629,462 B2 *	4/2017	Fu	A47B 88/941
D796,202 S *	9/2017	Ranco	D3/304
2009/0206002 A1 *	8/2009	Austin	B65D 19/12 206/766

* cited by examiner

Primary Examiner — Kelley Donnelly

(74) *Attorney, Agent, or Firm* — Egbert Law Offices,
PLLC

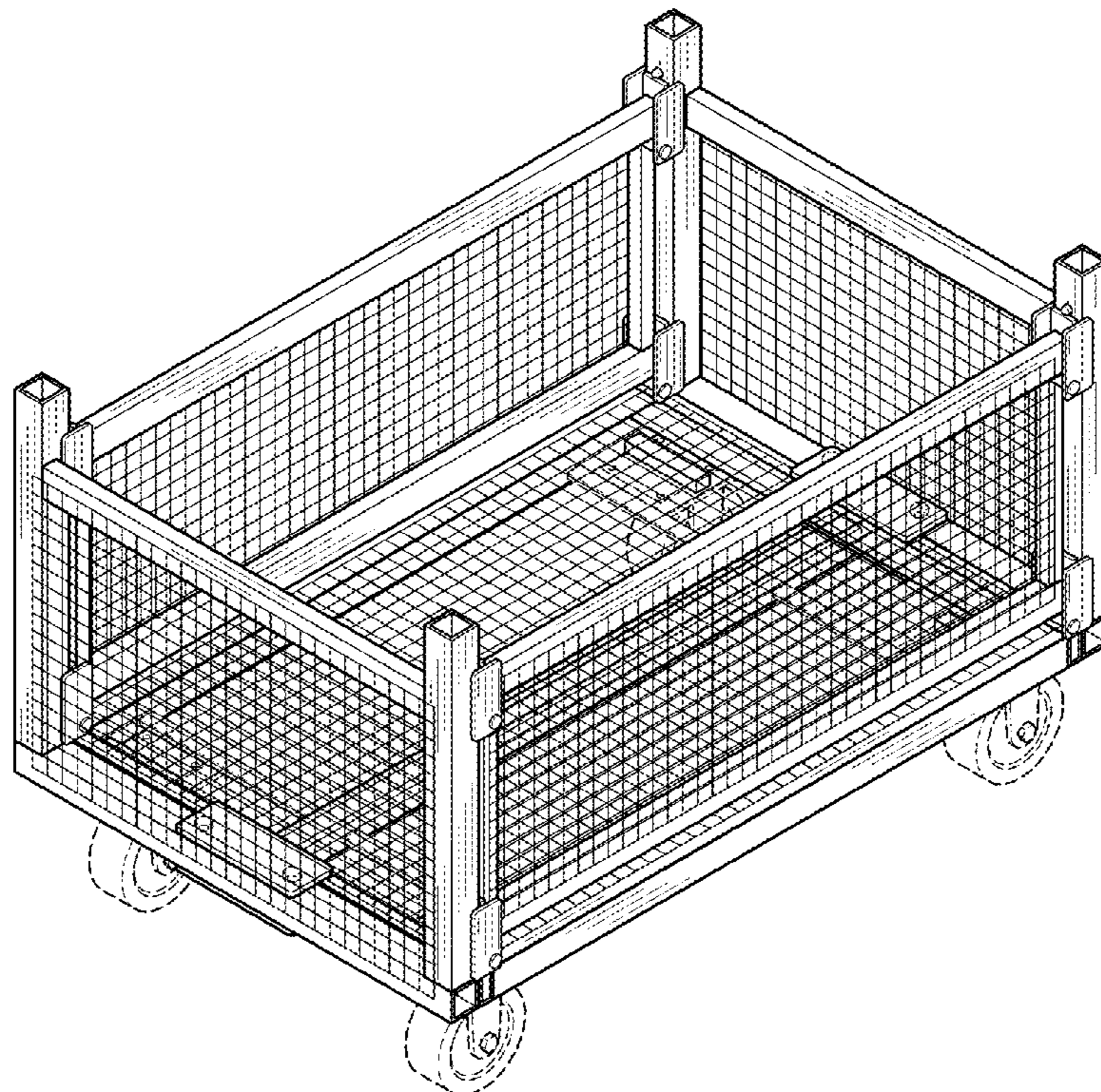
(57) **CLAIM**

The ornamental design for a mobile stacking container, as shown and described.

DESCRIPTION

FIG. 1 is an upper perspective view of a mobile stacking container showing our new design.
 FIG. 2 is a front view thereof;
 FIG. 3 is a rear view thereof;
 FIG. 4 is a side view thereof;
 FIG. 5 is an opposite side view thereof;
 FIG. 6 is a top view thereof;
 FIG. 7 is a bottom view thereof; and,
 FIG. 8 is an exploded perspective view thereof.
 The features presented in broken lines represent unclaimed portions of the mobile stacking container and form no part of the claimed design.

1 Claim, 4 Drawing Sheets



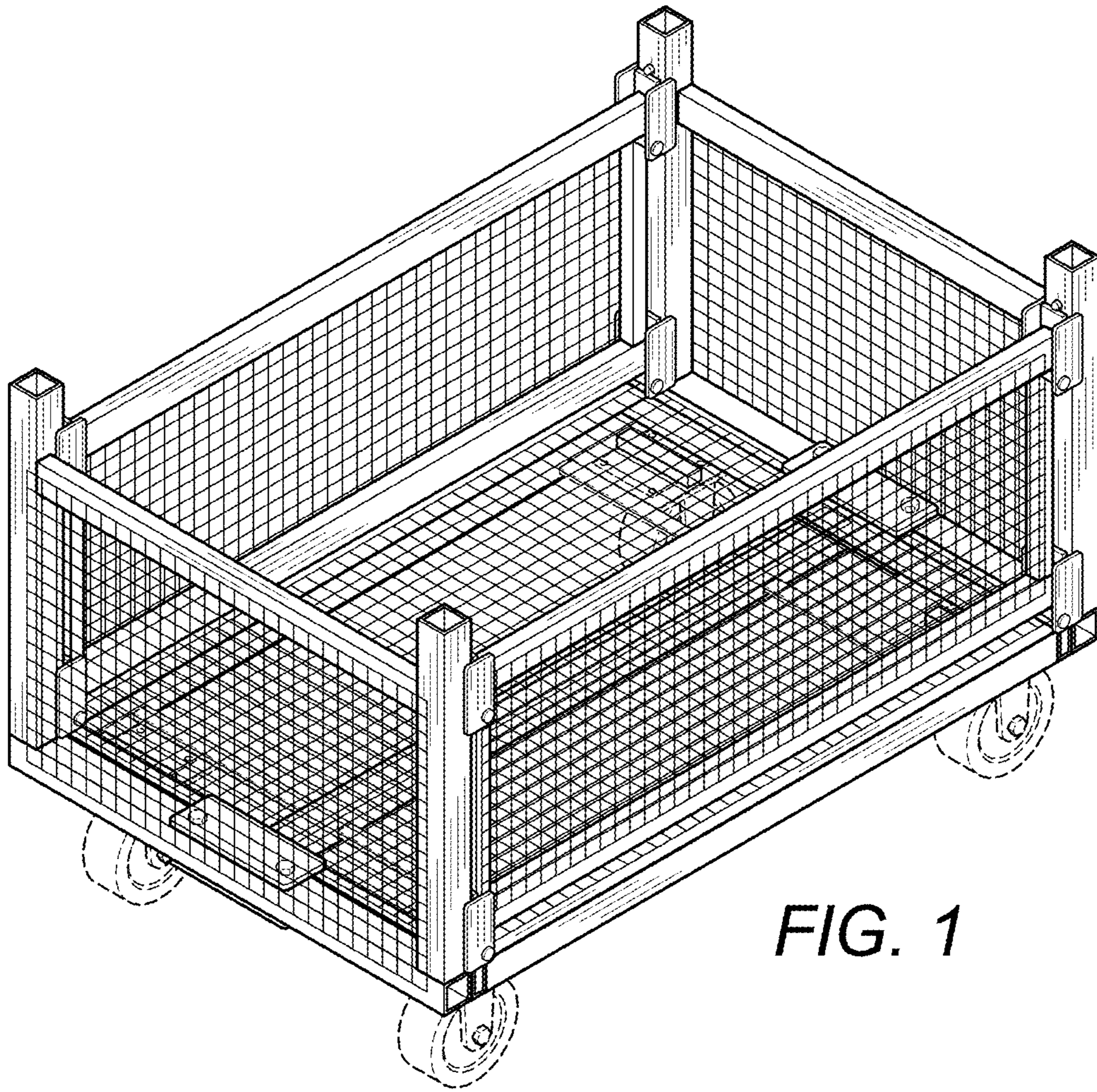


FIG. 1

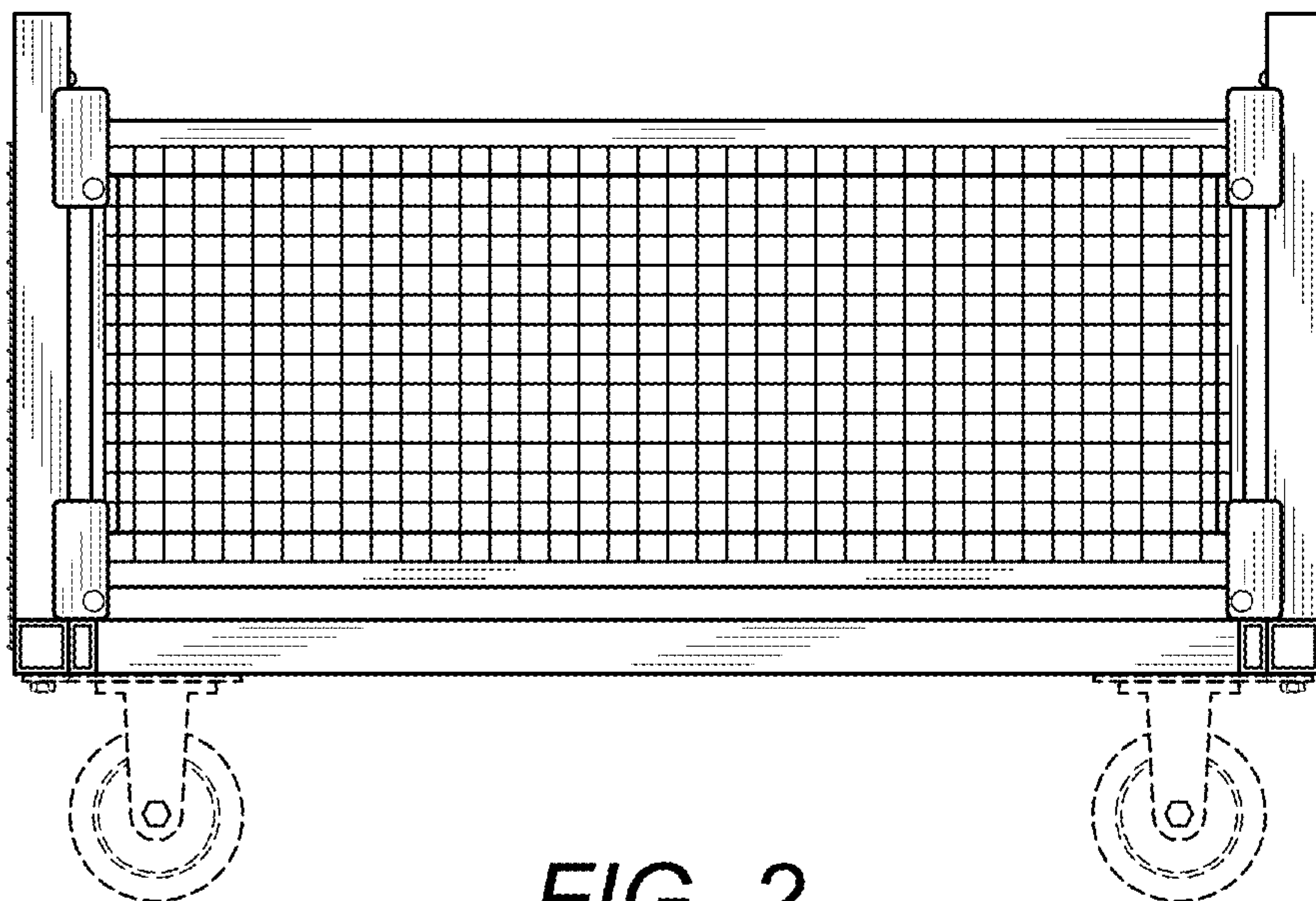


FIG. 2

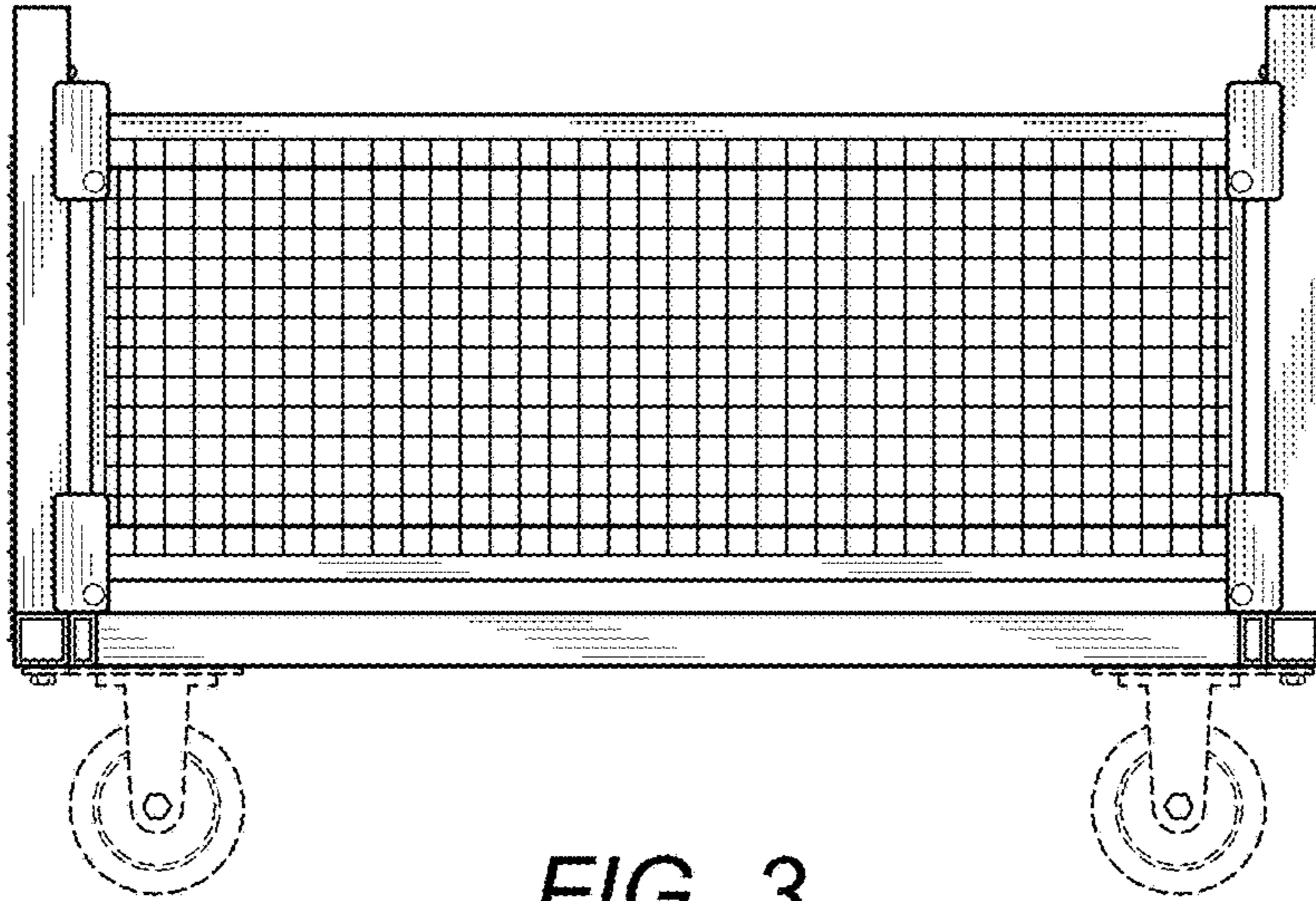


FIG. 3

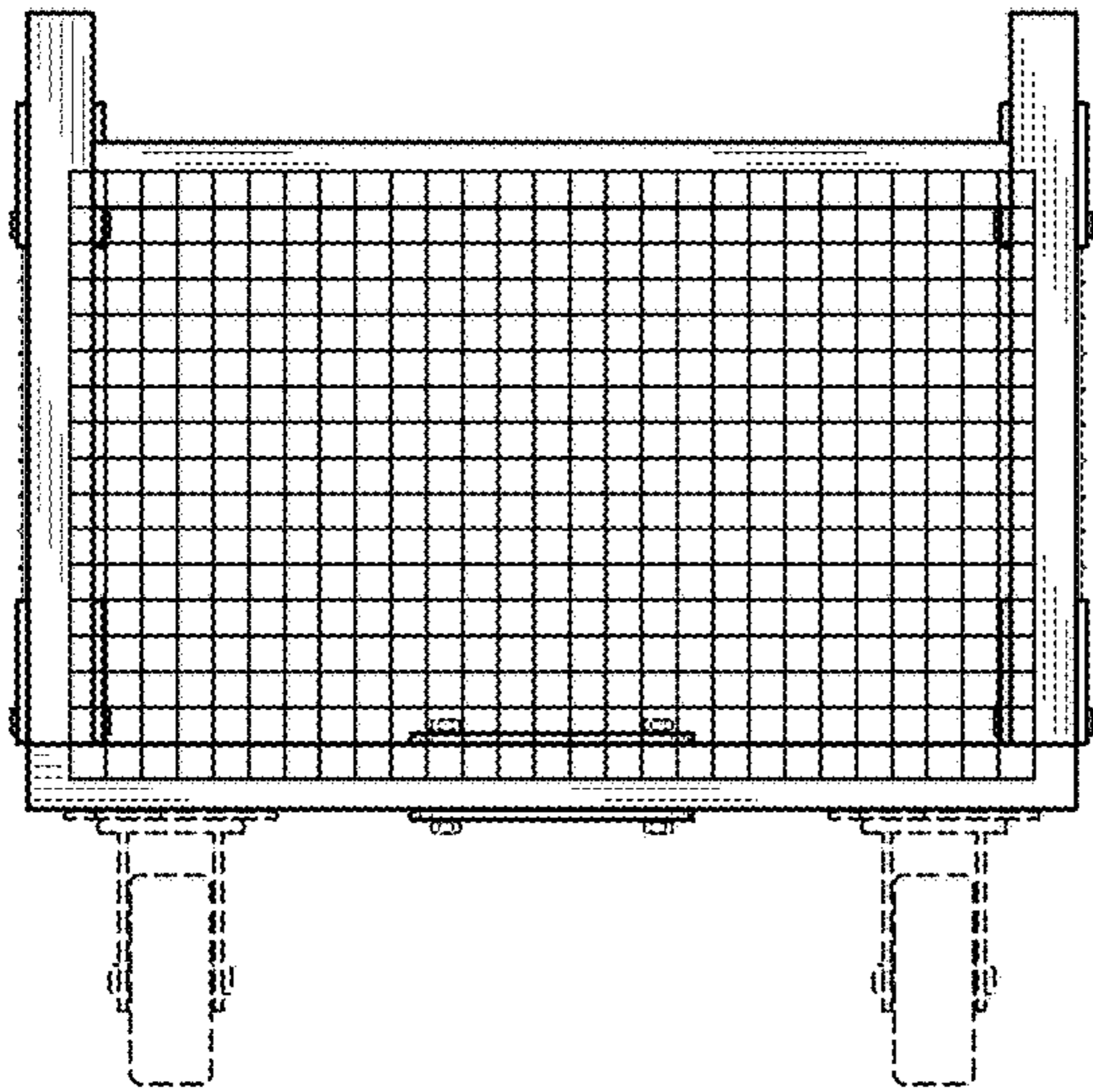


FIG. 4

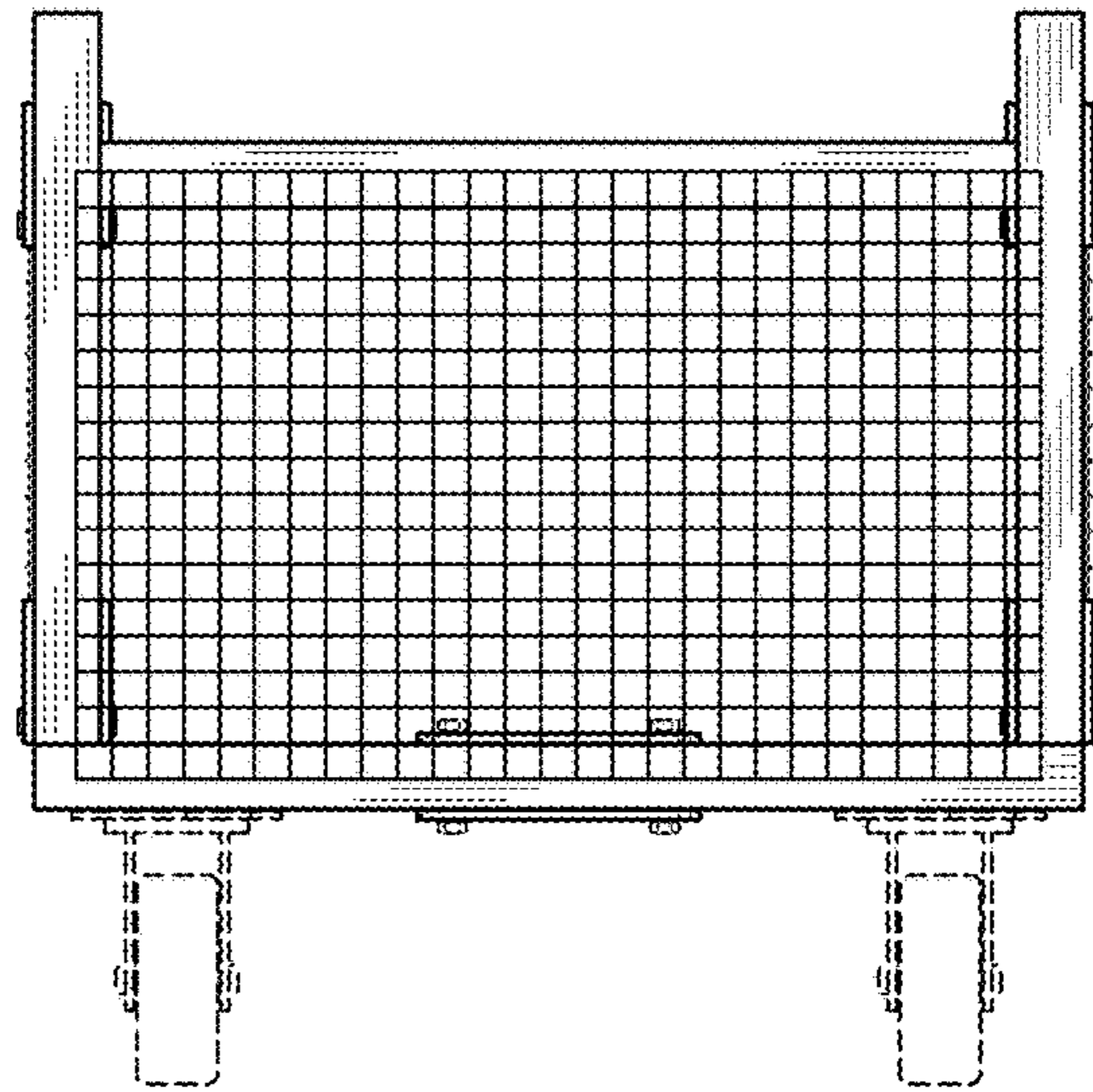


FIG. 5

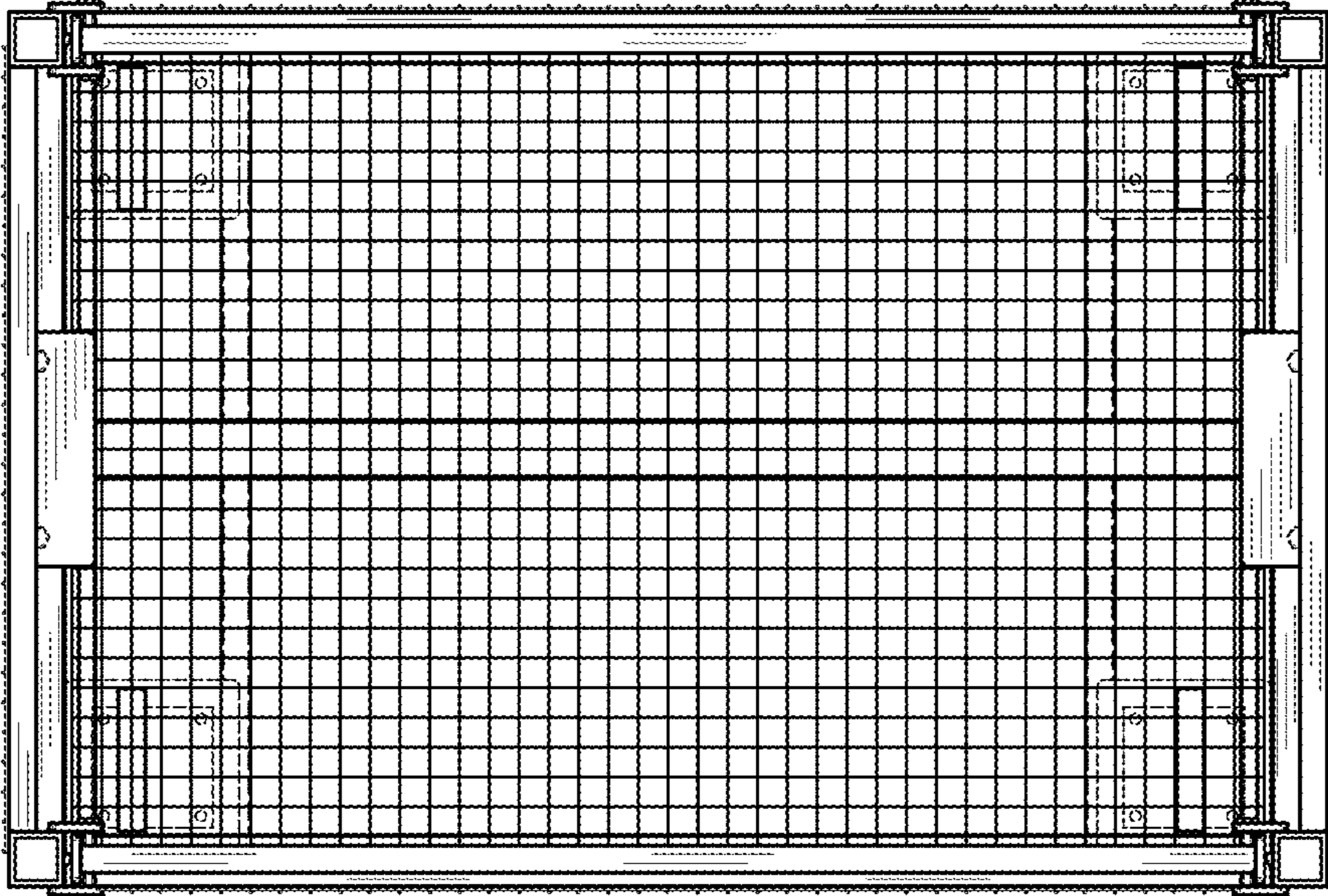


FIG. 6

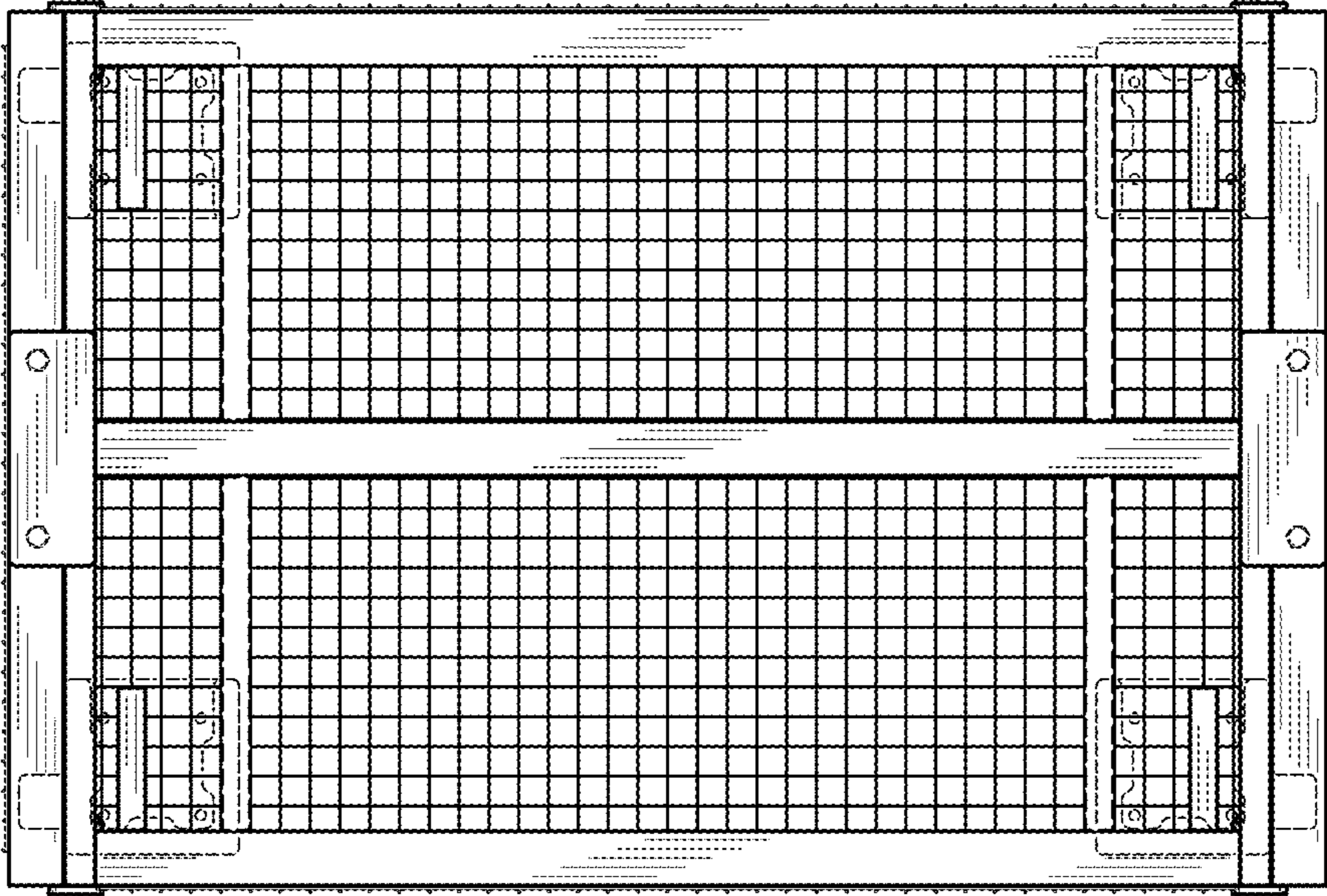


FIG. 7

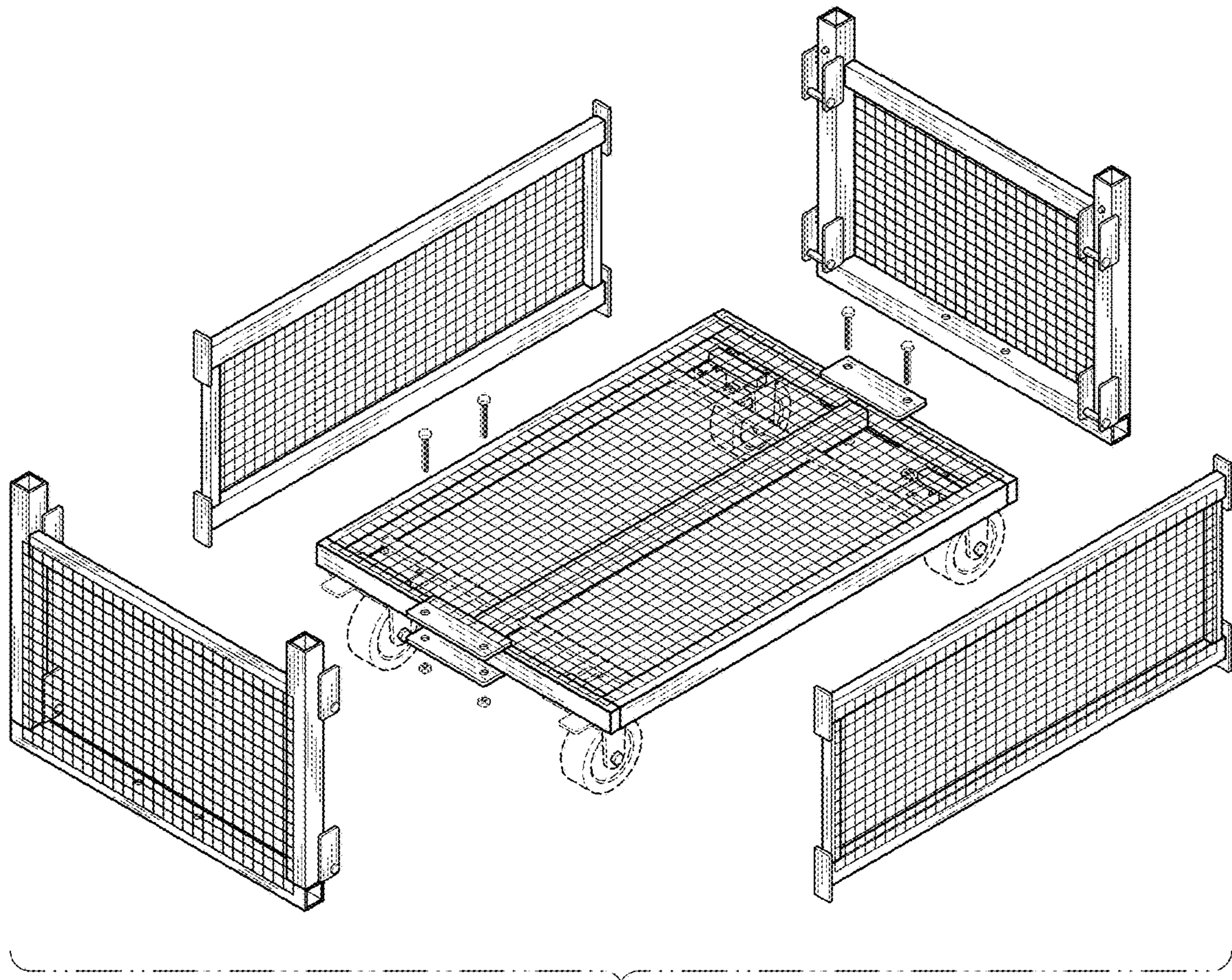


FIG. 8