



US00D828704S

(12) **United States Design Patent**  
**Sakakibara**

(10) **Patent No.:** **US D828,704 S**

(45) **Date of Patent:** **\*\* Sep. 18, 2018**

- (54) **DESK WITH MONITOR STAND**
- (71) Applicant: **Okamura Corporation**, Yokohama-shi, Kanagawa (JP)
- (72) Inventor: **Yoshihiro Sakakibara**, Yokohama (JP)
- (73) Assignee: **Okamura Corporation**, Yokohama-shi, Kanagawa (JP)
- (\*\*) Term: **15 Years**
- (21) Appl. No.: **29/599,362**
- (22) Filed: **Apr. 3, 2017**

- 4,604,955 A \* 8/1986 Fleischer ..... A47B 9/04  
108/106
- D311,833 S \* 11/1990 Newhouse ..... D6/656.16
- D313,327 S \* 1/1991 Prevedello ..... D6/691.5
- D392,476 S \* 3/1998 Mitchell ..... D6/643
- D399,682 S \* 10/1998 Lepper ..... D6/656.17
- D399,683 S \* 10/1998 Nicklas ..... D6/656.16
- D410,806 S \* 6/1999 Olson ..... D6/656.16
- 6,119,605 A \* 9/2000 Agee ..... A47B 9/02  
108/147
- D463,165 S \* 9/2002 Ekblad ..... D6/656.17
- D508,343 S \* 8/2005 Pflaster ..... D6/653.14
- D512,587 S \* 12/2005 Frenkler ..... D6/691.5
- D547,097 S \* 7/2007 Bastian ..... D6/707
- D560,085 S \* 1/2008 Glass ..... D6/656.17
- D573,388 S \* 7/2008 Auciello ..... D6/570

(Continued)

(30) **Foreign Application Priority Data**

Oct. 3, 2016 (JP) ..... 2016-021528

(51) **LOC (11) Cl.** ..... **06-03**

(52) **U.S. Cl.**  
USPC ..... **D6/642**

(58) **Field of Classification Search**

USPC ..... D6/641, 642, 643, 644, 652.2, 653,  
D6/653.14, 656, 656.1, 656.15, 656.14,  
D6/657, 672, 685, 686, 691, 691.1, 691.2,  
D6/691.5, 691.6, 691.8, 692.2, 692.3,  
D6/698, 656.16, 656.17; D14/305, 307,  
D14/373, 448

CPC ..... A47B 7/00; A47B 13/08; A47B 13/10;  
A47B 21/00; A47B 2009/006; A47B  
11/00; A47B 2200/002; A47B 2200/0051;  
A47B 2200/0052; A47B 2200/0053;  
A47B 2200/0054; A47B 2200/0055;  
A47B 21/02

See application file for complete search history.

(56) **References Cited**

**U.S. PATENT DOCUMENTS**

- 1,992,903 A \* 2/1935 Potashnik ..... A47B 83/02  
108/161
- D167,145 S \* 7/1952 Harmon ..... D6/656.11

*Primary Examiner* — Mary Ann Calabrese

*Assistant Examiner* — Sloan Rozin

(74) *Attorney, Agent, or Firm* — Banner & Witcoff, Ltd.

(57) **CLAIM**

The ornamental design for a desk with monitor stand, as shown and described.

**DESCRIPTION**

FIG. 1 is a perspective view of a desk with monitor stand showing my new design;

FIG. 2 is a front view thereof;

FIG. 3 is a rear view thereof;

FIG. 4 is a right side view thereof, the left side view thereof being a mirror image;

FIG. 5 is a top view thereof;

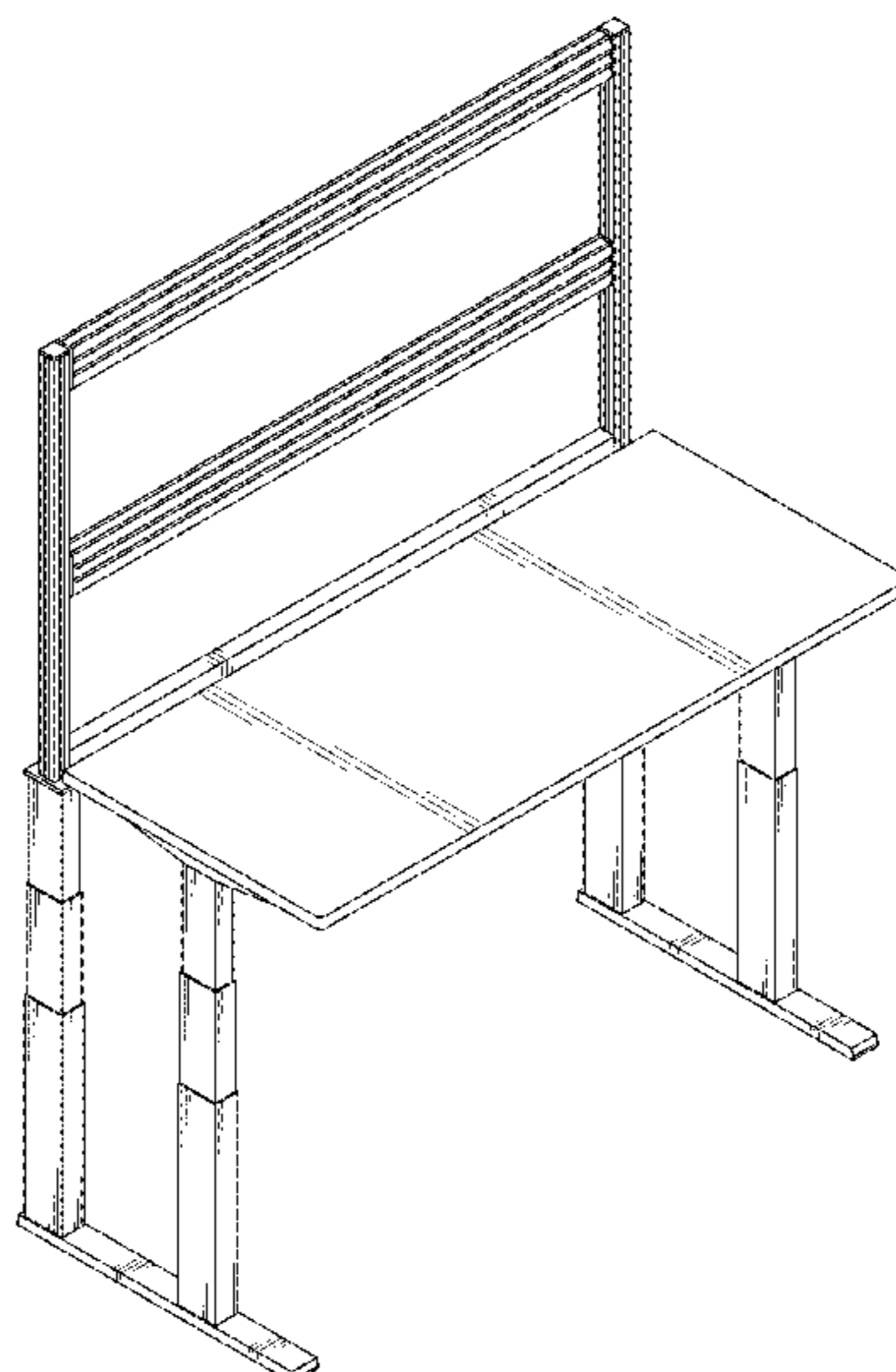
FIG. 6 is a bottom view thereof;

FIG. 7 is a perspective view thereof shown in an alternate position of use; and,

FIG. 8 is a perspective view shown in a manner of use.

The broken line showing of the monitors in FIG. 8 is for the purpose of illustrating environment and forms no part of the claimed design.

**1 Claim, 7 Drawing Sheets**



(56)

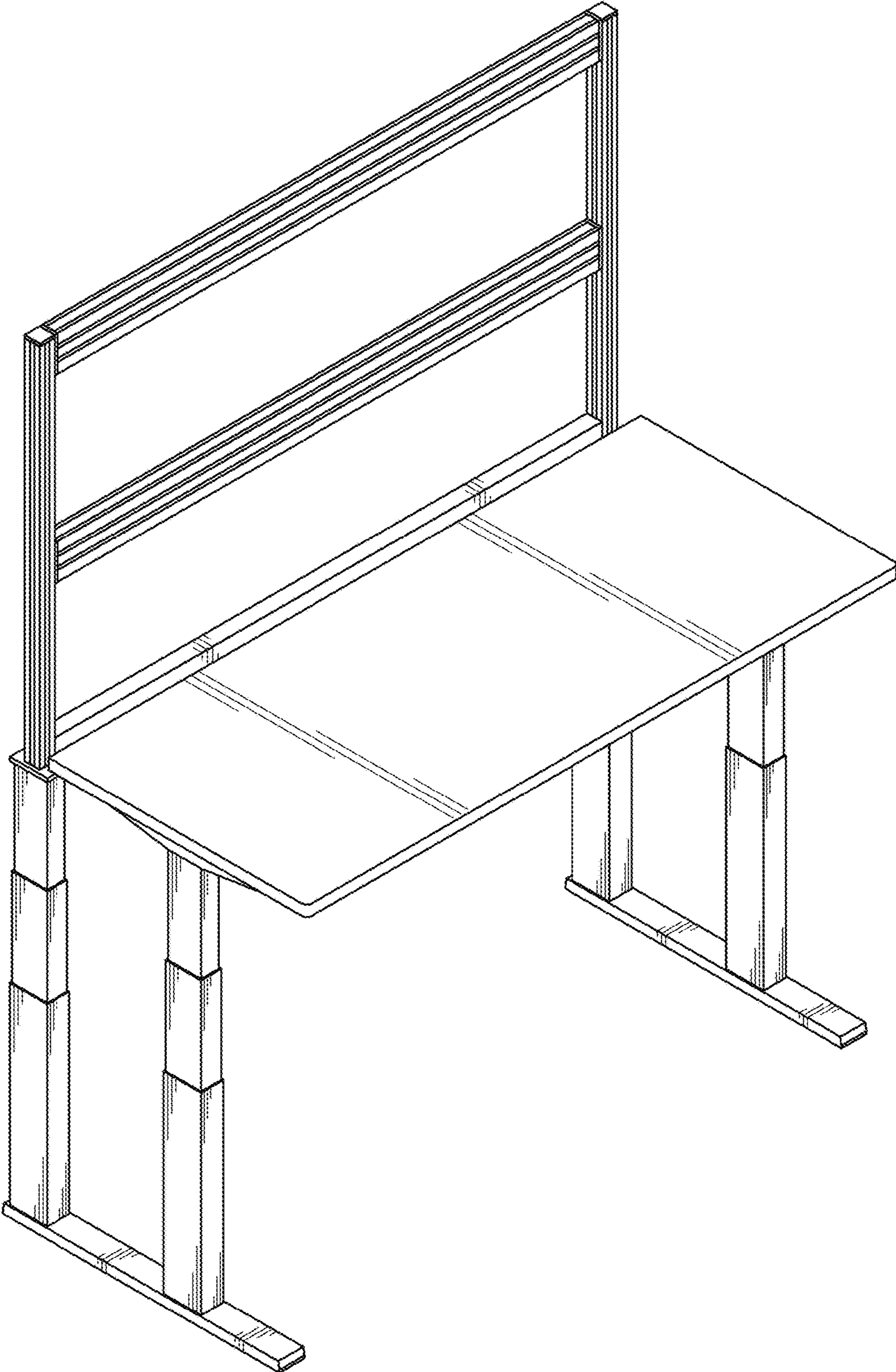
**References Cited**

U.S. PATENT DOCUMENTS

D603,627 S \* 11/2009 Wen ..... D6/656.16  
RE42,666 E \* 9/2011 Saotome ..... D6/656.17  
D725,945 S \* 4/2015 Delmedico ..... D6/656.19  
9,232,855 B2 \* 1/2016 Ergun ..... A47B 9/02  
9,332,836 B1 \* 5/2016 Zebarjad ..... A47B 9/02  
D771,983 S \* 11/2016 Herring ..... D6/656.16  
9,532,647 B2 \* 1/2017 Bedard ..... A47B 83/04  
D786,594 S \* 5/2017 Yamamoto ..... D6/702  
D788,494 S \* 6/2017 Yamamoto ..... D6/642  
D794,358 S \* 8/2017 Yamamoto ..... D6/656  
D794,359 S \* 8/2017 Yamamoto ..... D6/656  
D795,619 S \* 8/2017 Labrosse ..... D6/709  
9,723,920 B1 \* 8/2017 Wu ..... A47B 21/02

\* cited by examiner

FIG. 1



**FIG. 2**

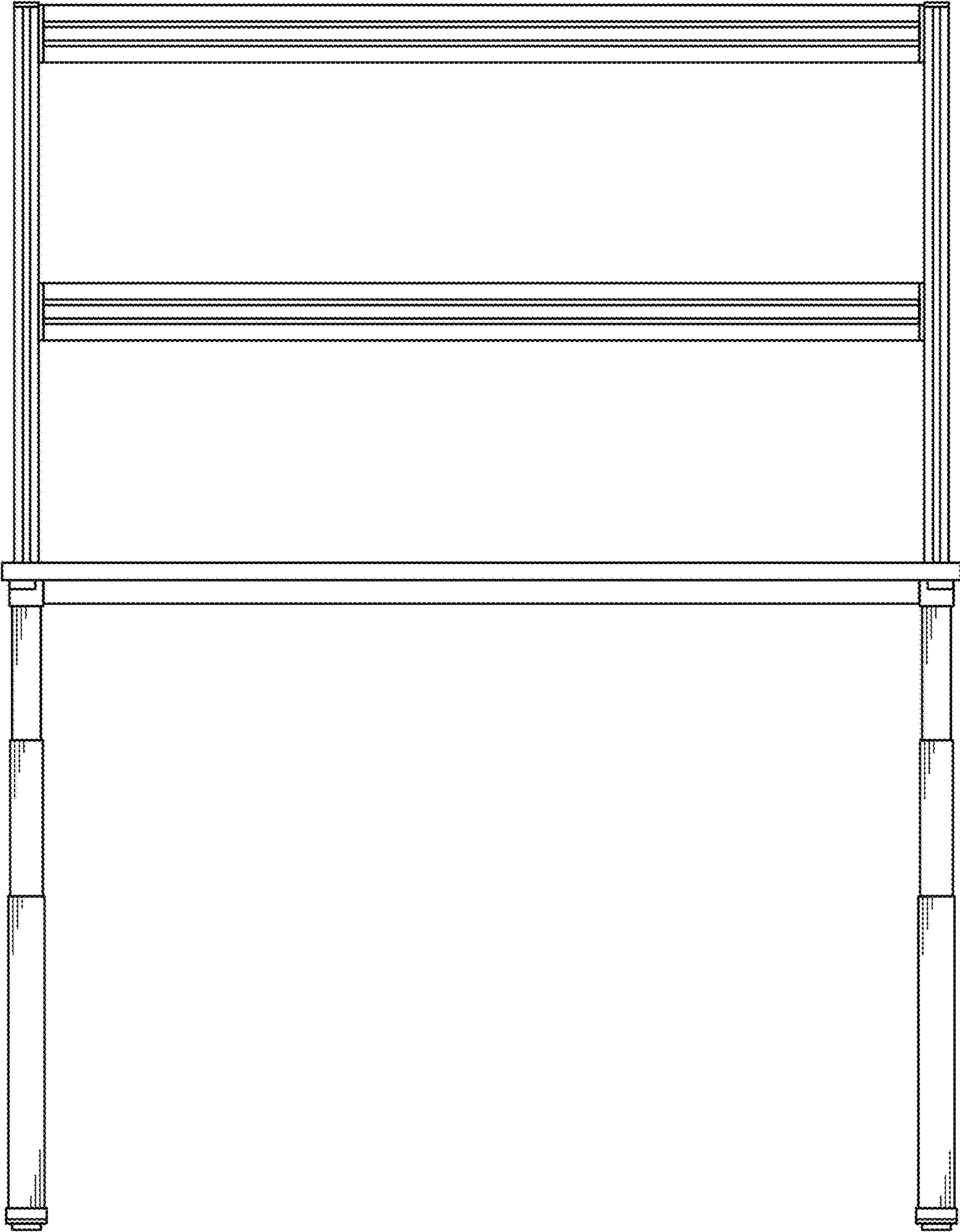
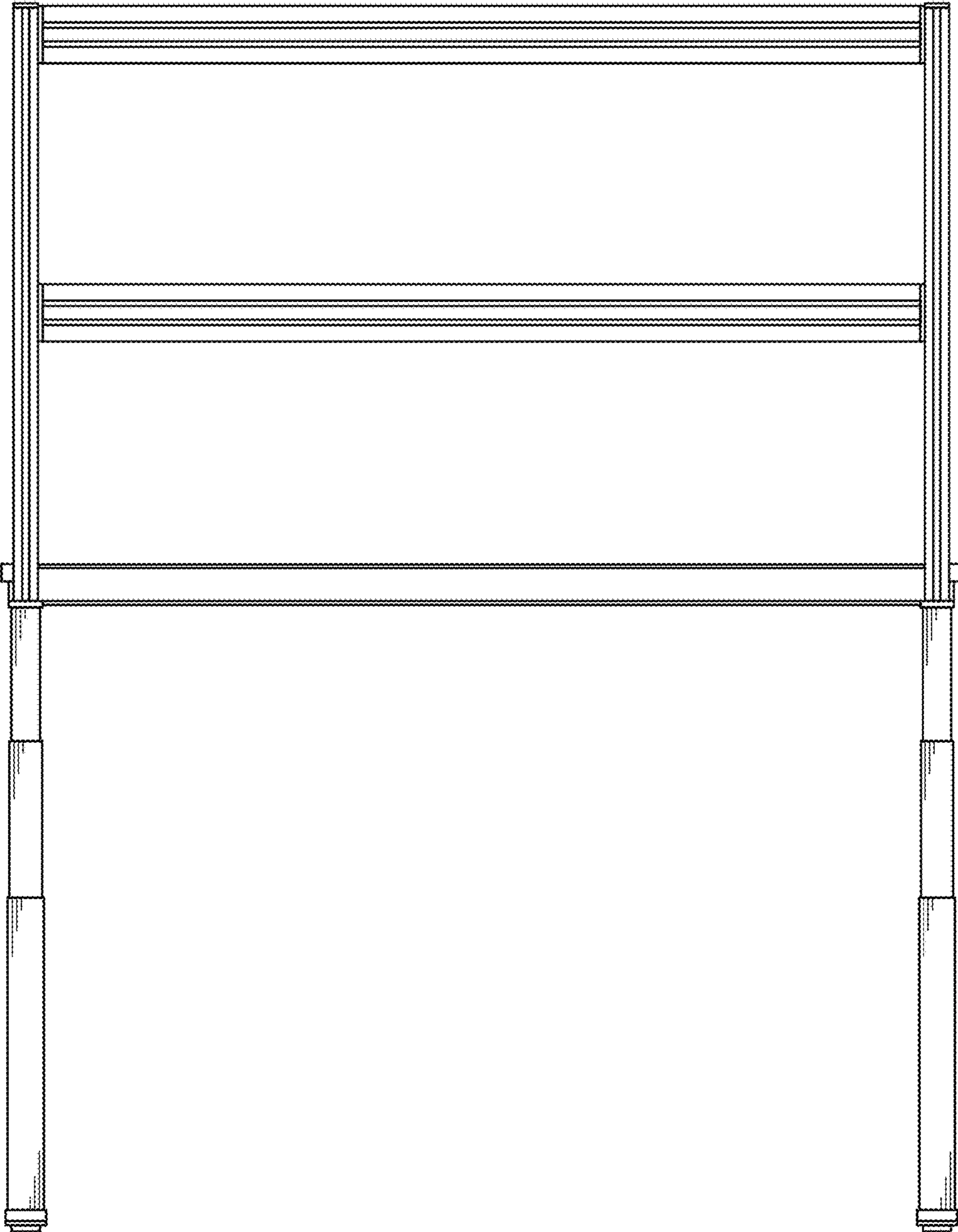
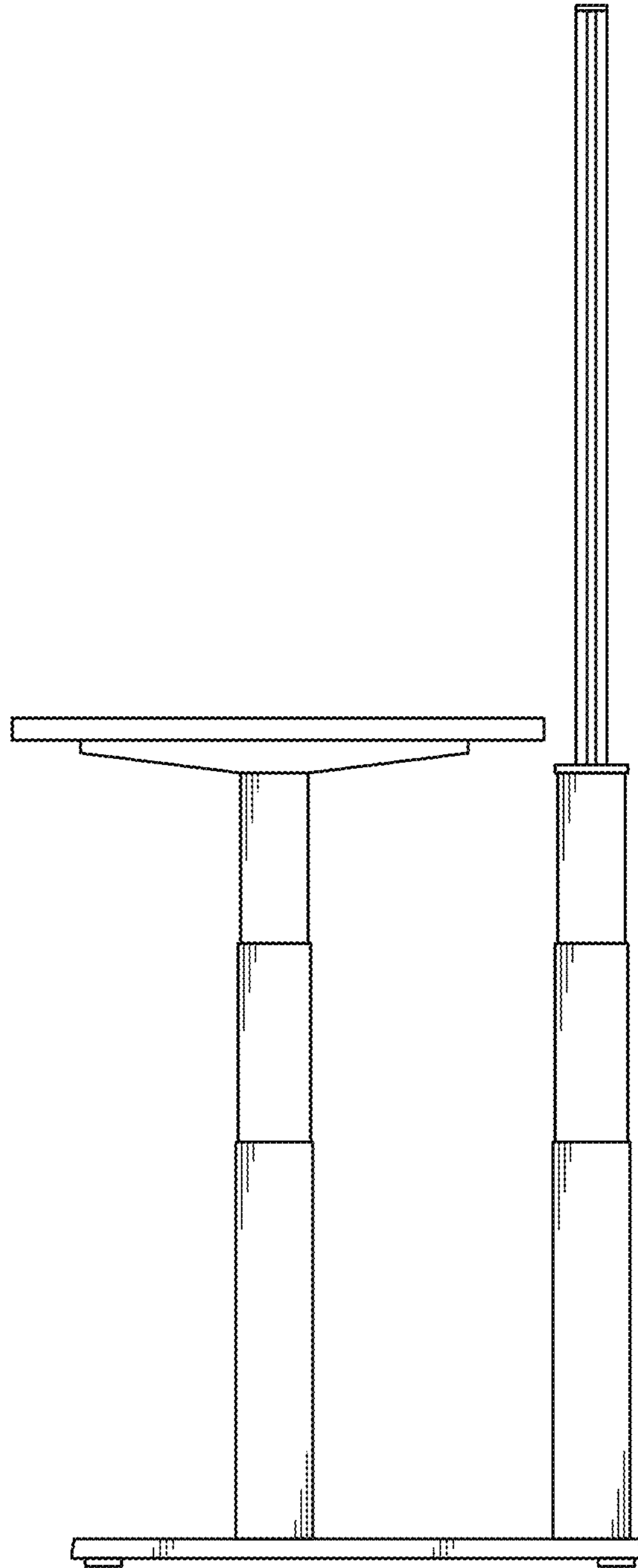


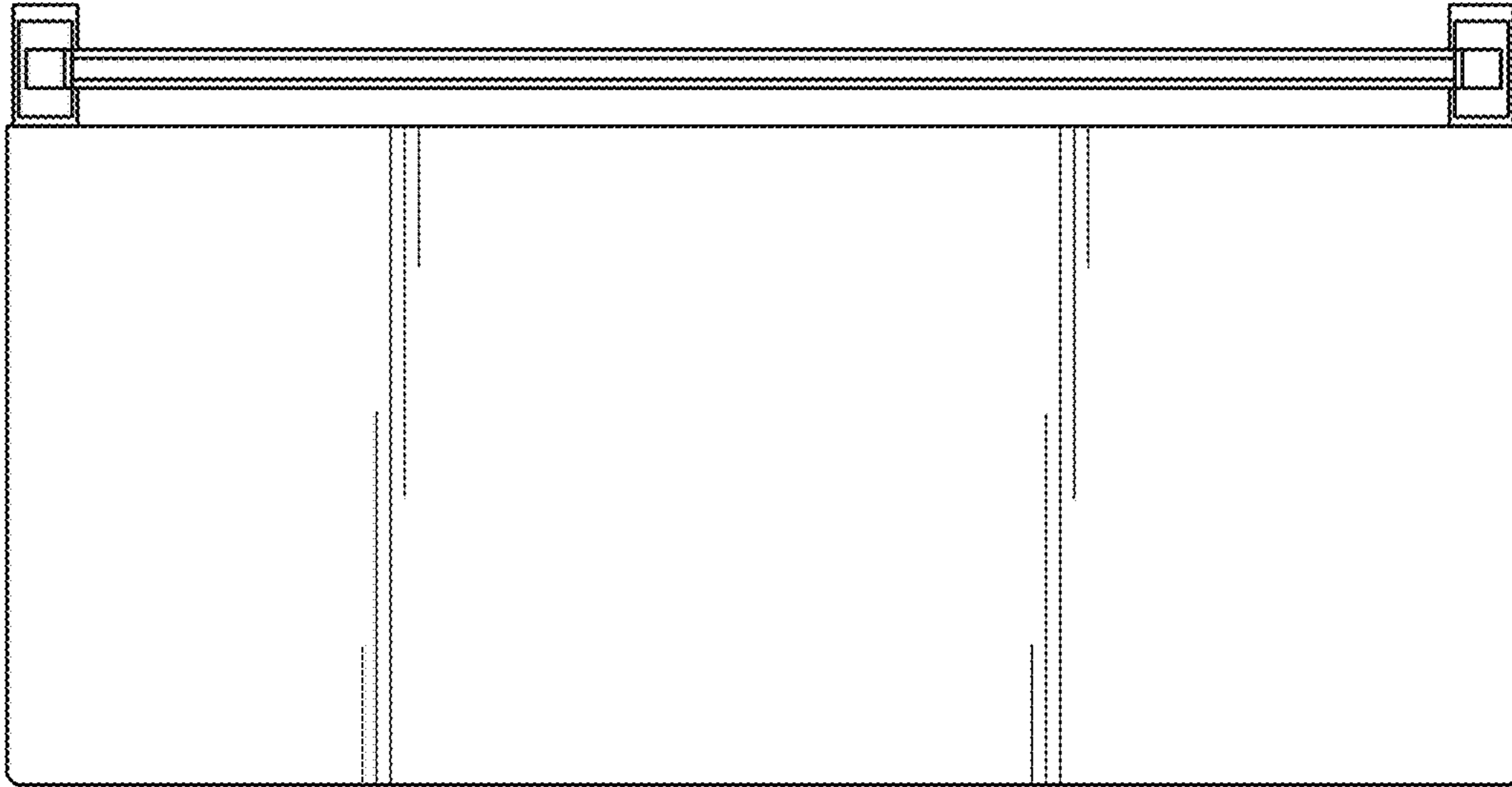
FIG. 3



**FIG. 4**



**FIG. 5**



**FIG. 6**

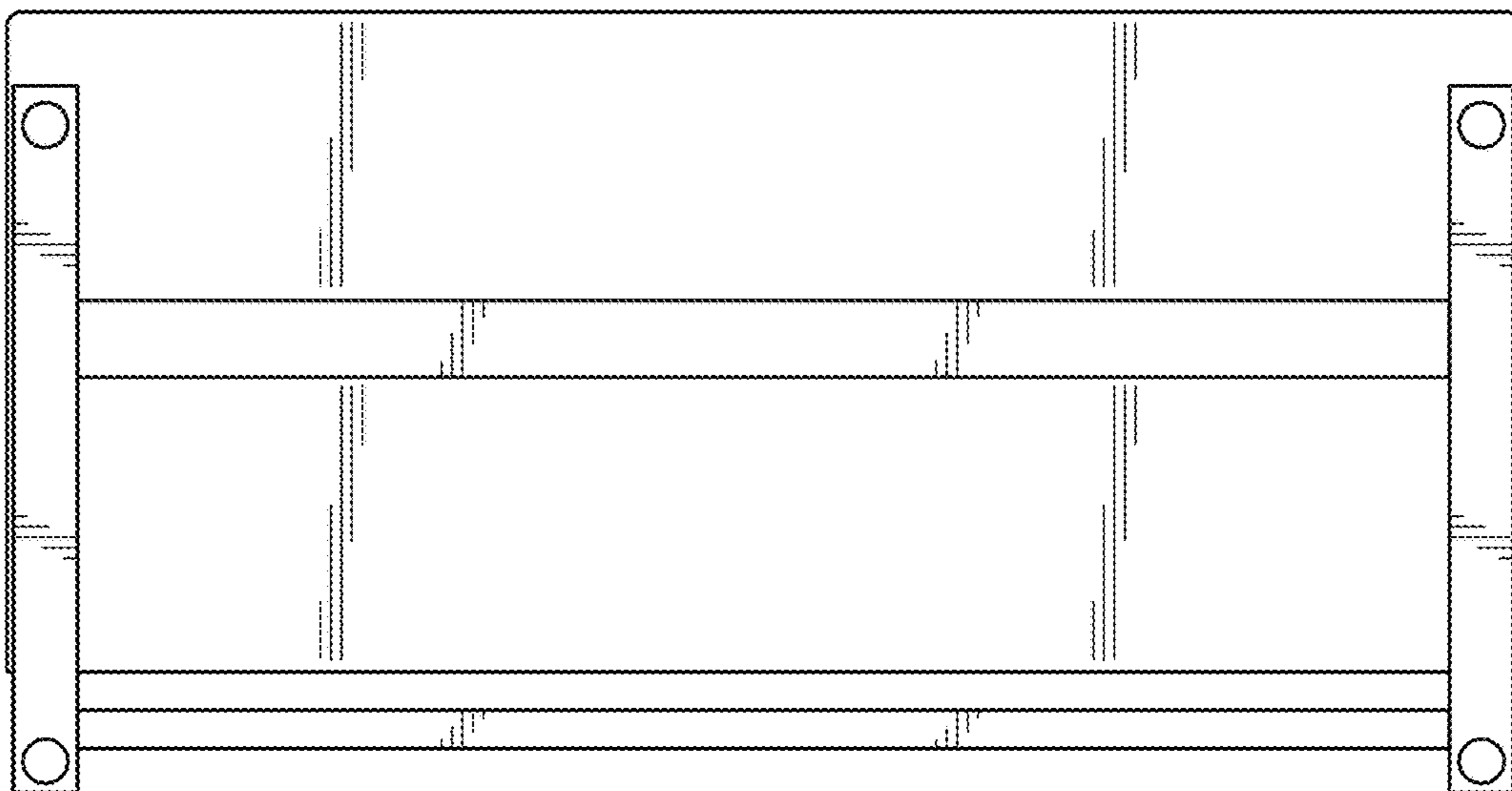


FIG. 7

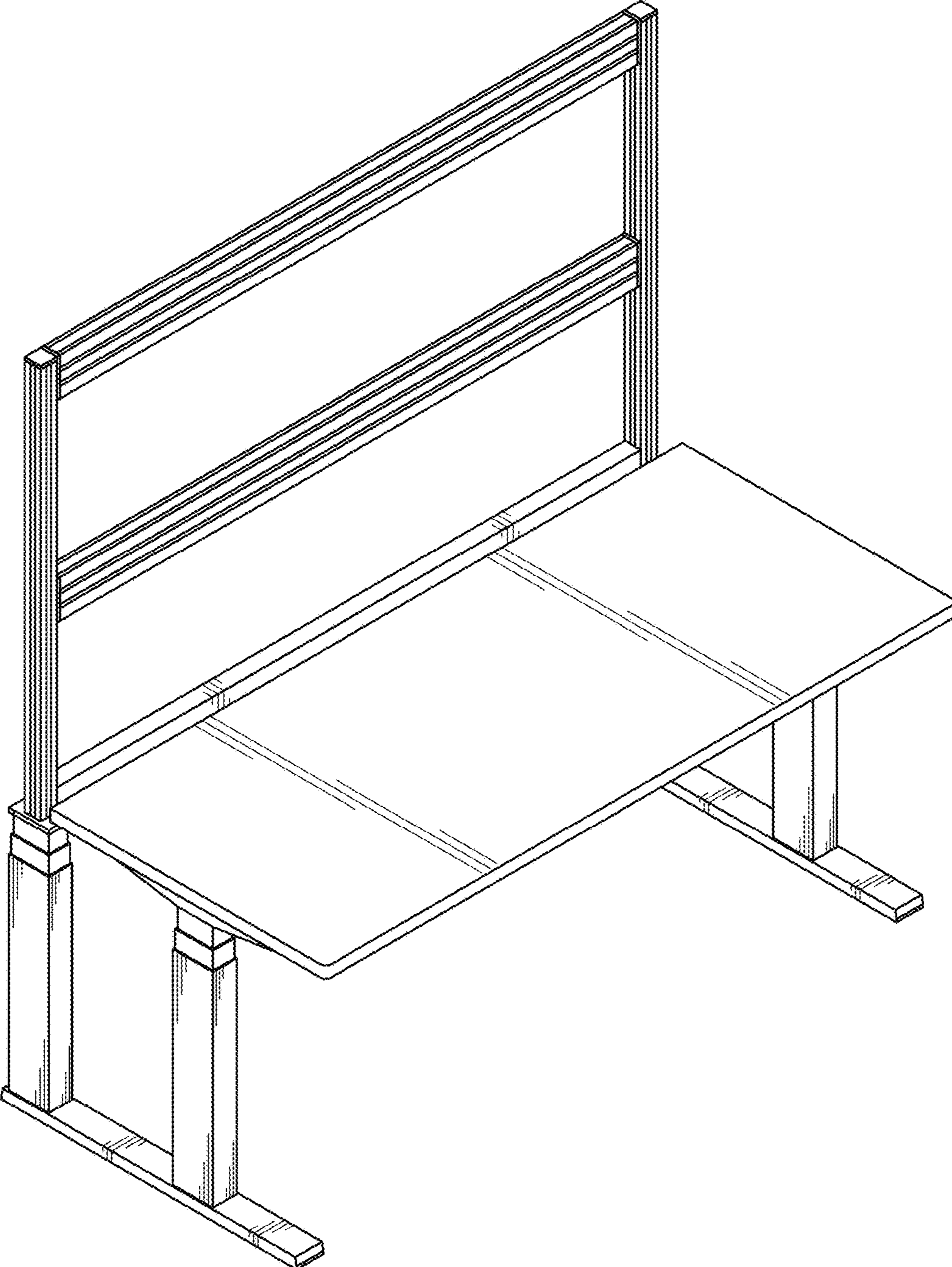




FIG. 8

