



US00D828703S

(12) **United States Design Patent**
Alley

(10) **Patent No.:** **US D828,703 S**

(45) **Date of Patent:** **** Sep. 18, 2018**

(54) **BABY BLANKET**

(71) Applicant: **Kathleen Beth Alley**, Camas, WA (US)

(72) Inventor: **Kathleen Beth Alley**, Camas, WA (US)

(**) Term: **15 Years**

(21) Appl. No.: **29/549,544**

(22) Filed: **Dec. 22, 2015**

(51) **LOC (11) Cl.** **06-13**

(52) **U.S. Cl.**

USPC **D6/603**

(58) **Field of Classification Search**

USPC D6/582-583, 587-592, 595-609,
D6/617-622; D2/719

CPC A47G 9/00; A47G 2009/001; A47G
2009/002; A47G 2009/003; A47G
2009/005; A47G 2009/006; A47G 9/02;
A47G 9/0215; A47G 9/0223; A47G
9/023; A47G 9/0238; A47G 9/06; A47G
9/062; A47G 9/066; A47G 9/068; A47G
9/0248; A47G 9/08; A47G 9/04; A47G
11/002; A47G 11/001; A47G 11/003

See application file for complete search history.

(56) **References Cited**

U.S. PATENT DOCUMENTS

D292,461	S	*	10/1987	Shuckman	15/222
D322,532	S	*	12/1991	Kumar	D3/303
D341,979	S	*	12/1993	Peters	D6/596
5,457,829	A	*	10/1995	Elliott	A47G 9/0207 5/420
D378,483	S	*	3/1997	Kiefer	D6/608
D382,757	S	*	8/1997	Vick	D6/608
D384,853	S	*	10/1997	Parker	D6/596
D388,273	S	*	12/1997	Propper	5/417
D389,362	S	*	1/1998	Boulatian	5/419
6,023,797	A	*	2/2000	Brumfield	A47G 9/1045 383/4

6,058,530	A	*	5/2000	Wheeler	A47G 9/062 5/417
6,142,963	A	*	11/2000	Black	A61H 23/0254 5/482
6,341,397	B1	*	1/2002	Kliegl	A41B 13/06 2/69.5
D493,657	S	*	8/2004	Farago	D6/608
D501,350	S	*	2/2005	Kelly	D2/719
6,851,127	B1	*	2/2005	Khan	A41D 13/00 2/84
D512,259	S	*	12/2005	Mitchell	D6/608
7,647,658	B2	*	1/2010	Wilson	A41B 13/06 2/69.5
D613,543	S	*	4/2010	Tinker, Sr.	D6/601
8,225,442	B2	*	7/2012	Davis	A41D 1/205 5/485
D666,416	S	*	9/2012	Haywood	D3/299

(Continued)

Primary Examiner — Mary Ann Calabrese

Assistant Examiner — Jennifer L Rempfer

(74) *Attorney, Agent, or Firm* — Dunlap Bennett & Ludwig PLLC

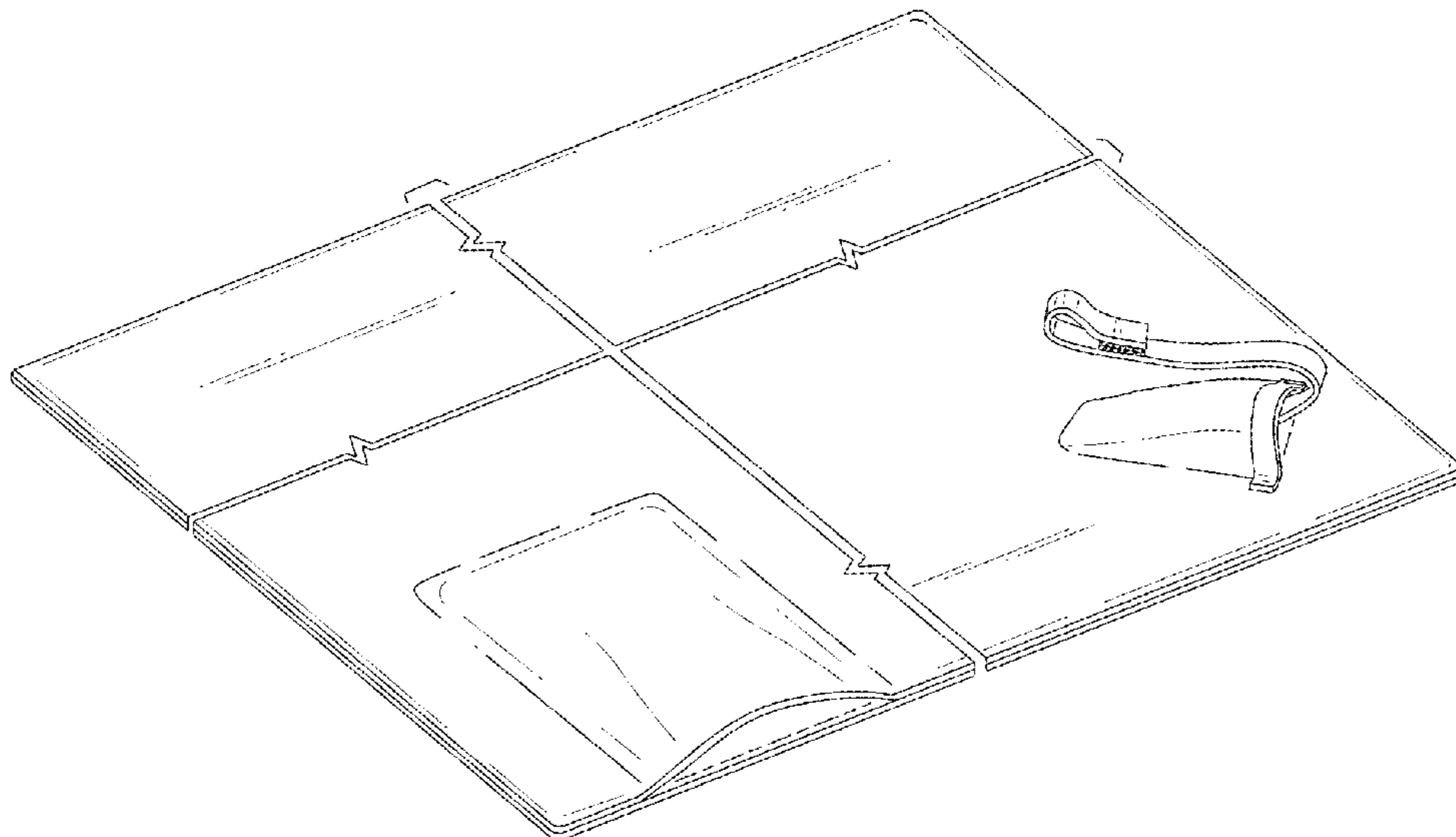
(57) **CLAIM**

The ornamental design for a baby blanket, as shown and described.

DESCRIPTION

FIG. 1 is a front perspective view of a baby blanket;
FIG. 2 is a front elevation view thereof;
FIG. 3 rear elevation view thereof;
FIG. 4 is a left side elevation view thereof;
FIG. 5 is a right side elevation view thereof;
FIG. 6 is a top plan view thereof;
FIG. 7 is a bottom plan view thereof; and,
FIG. 8 is a perspective view thereof, with the pockets of the baby blanket shown in an open configuration.
The broken lines along the open edge of the pocket form no part of the claimed design.

1 Claim, 5 Drawing Sheets



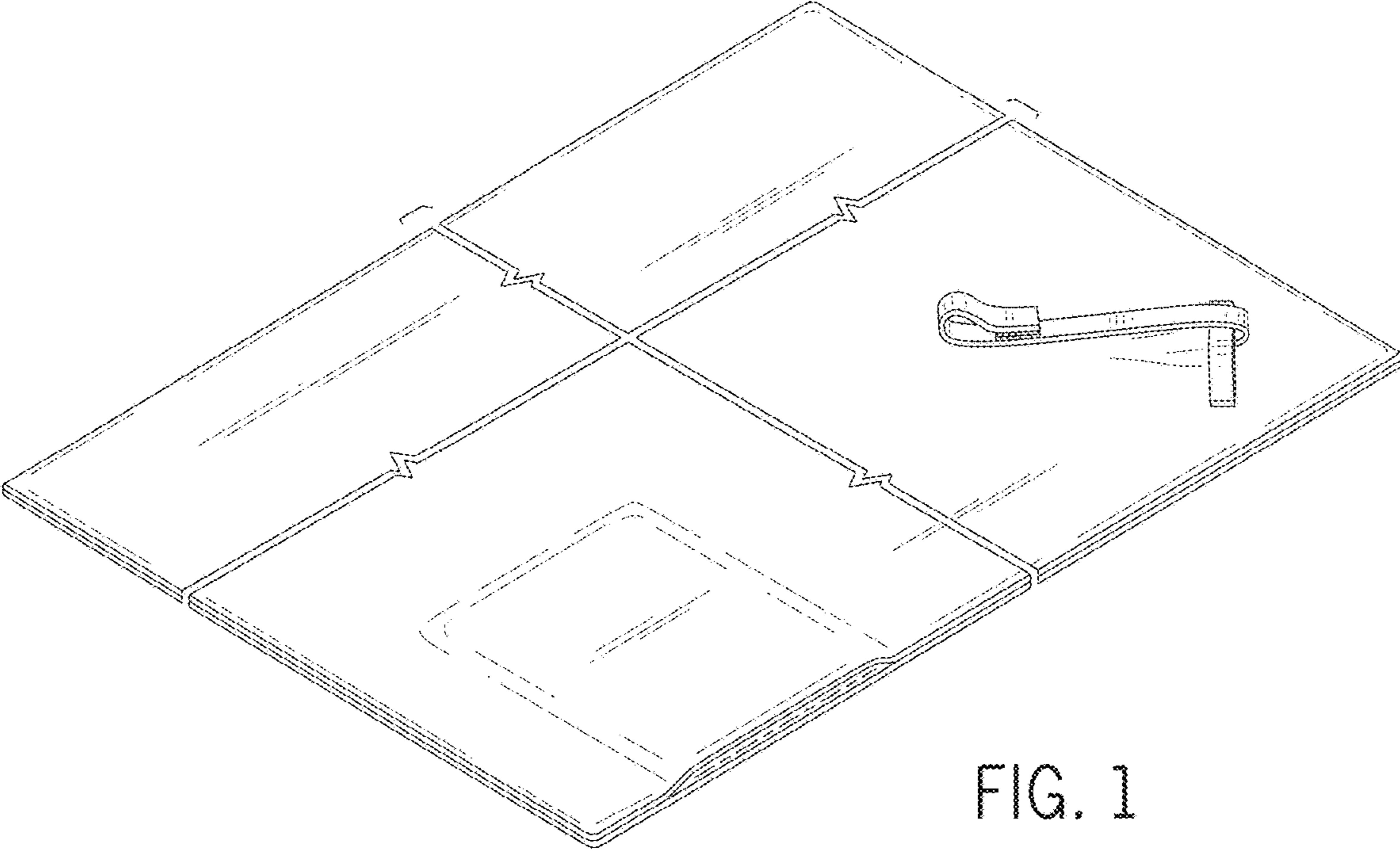
(56)

References Cited

U.S. PATENT DOCUMENTS

8,650,685 B1 *	2/2014	Ford	A41B 13/06
				2/69
D710,131 S *	8/2014	McNett	D6/596
D712,629 S *	9/2014	Hilaire	D2/826
D727,664 S *	4/2015	George	D6/608
D740,055 S *	10/2015	Dodda	D6/608
D757,463 S *	5/2016	Rhodes	D6/610

* cited by examiner



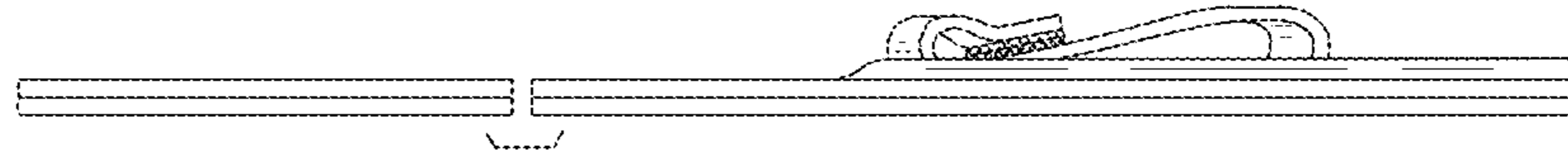


FIG. 2

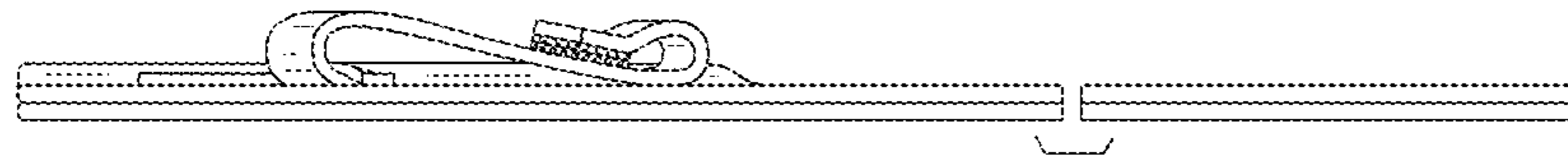


FIG. 3

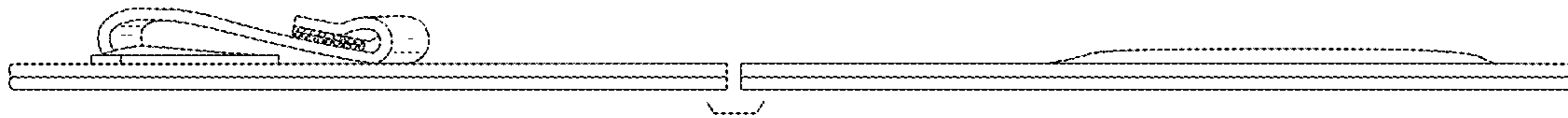


FIG. 4

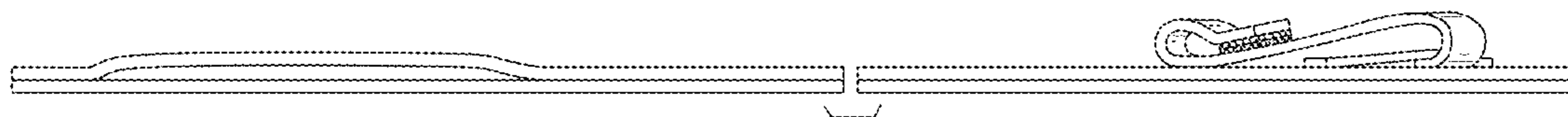


FIG. 5

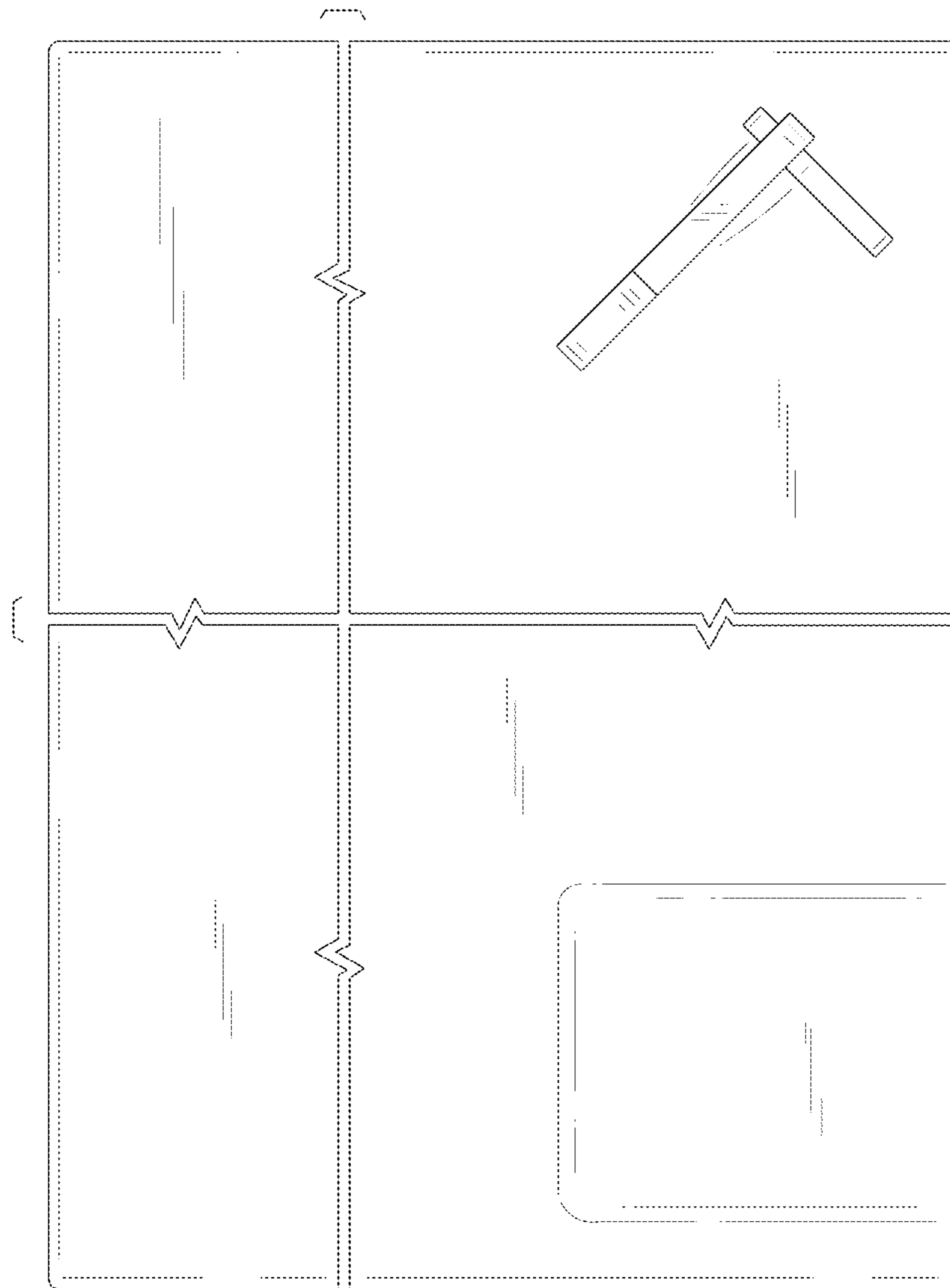


FIG. 6

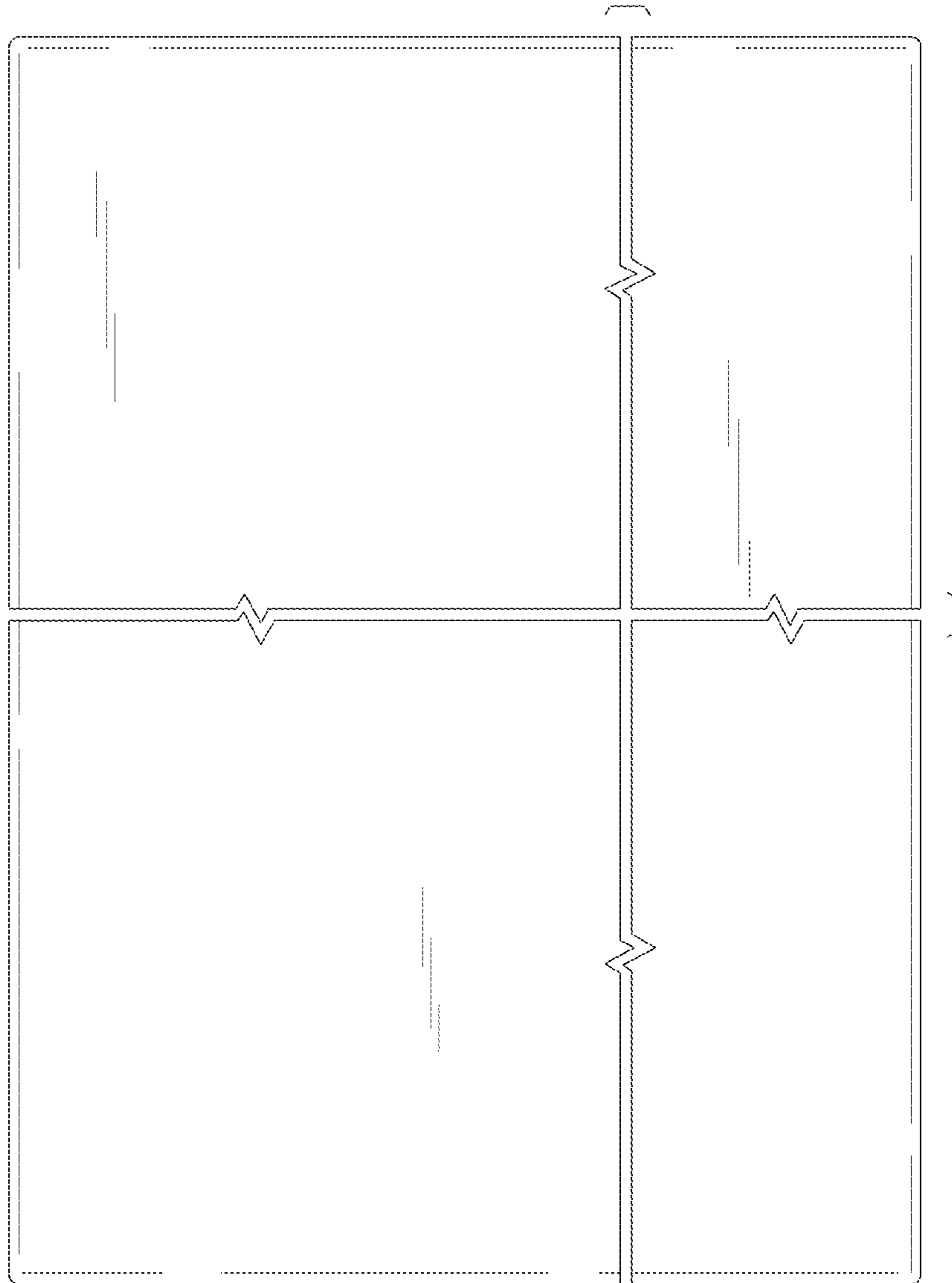


FIG. 7

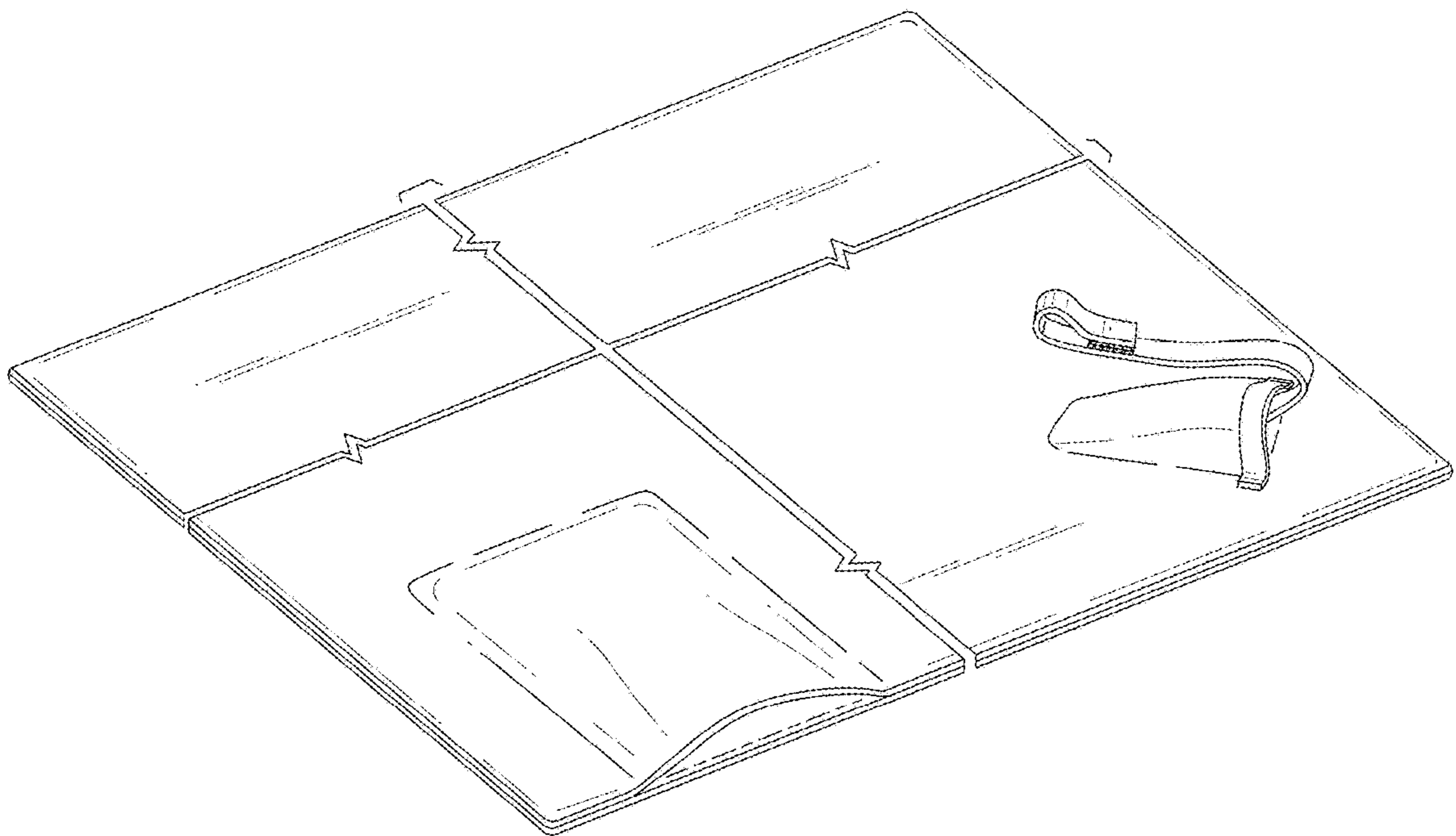


FIG. 8