



US00D828701S

(12) **United States Design Patent** (10) **Patent No.:** **US D828,701 S**
Liu (45) **Date of Patent:** **** Sep. 18, 2018**

(54) **SET OF SEAT CUSHIONS**

(71) Applicant: **EVOLUTION TECHNOLOGIES INC.**, Port Coquitlam (CA)

(72) Inventor: **Julian Liu**, Port Moody (CA)

(73) Assignee: **EVOLUTION TECHNOLOGIES INC.**, Port Coquitlam (CA)

(**) Term: **15 Years**

(21) Appl. No.: **29/599,775**

(22) Filed: **Apr. 6, 2017**

(30) **Foreign Application Priority Data**

Feb. 17, 2017 (CA) 173079

(51) **LOC (11) Cl.** **06-09**

(52) **U.S. Cl.**
USPC **D6/601**

(58) **Field of Classification Search**

USPC D6/333, 349, 355, 375, 388, 512, 563,
D6/564, 595, 596, 601, 604, 611, 707,
D6/715, 716, 716.1; D24/183-185, 234;
D21/803, 804, 805, 809; 5/401, 420,
5/600, 630, 631, 632, 633, 635, 636, 638,
5/639, 646, 652, 652.1, 655, 703, 730;
297/1, 2, 4, 93, 180.11, 195.1, 195.11,
297/195.13, 393, 397, 452.12, 452.14,
297/452.15, 452.21, 452.24, 452.26,
297/452.48, 452.62, 482
CPC A47G 9/10; A47G 9/1009; A47G 9/1027;
A47G 9/1045; A47G 9/1063; A47G
9/1072; A47G 9/1081

See application file for complete search history.

(56) **References Cited**

U.S. PATENT DOCUMENTS

188,835 A 3/1877 Allen
291,351 A 1/1884 Jackson

522,117 A 6/1894 Humphrey
534,443 A 2/1895 Manguine
879,803 A 2/1908 Vlasak
1,767,925 A 6/1930 Hargreaves
1,922,228 A * 8/1933 Brown A47C 7/74
267/145

(Continued)

FOREIGN PATENT DOCUMENTS

AT 214095 3/1961
AT 242315 9/1965

(Continued)

OTHER PUBLICATIONS

US 7,364,173, 04/2008, Meyers et al. (withdrawn)
(Continued)

Primary Examiner — Eric L Goodman
Assistant Examiner — Sanjeev Paul
(74) *Attorney, Agent, or Firm* — Symbus Law Group,
LLC; Clifford D. Hyra

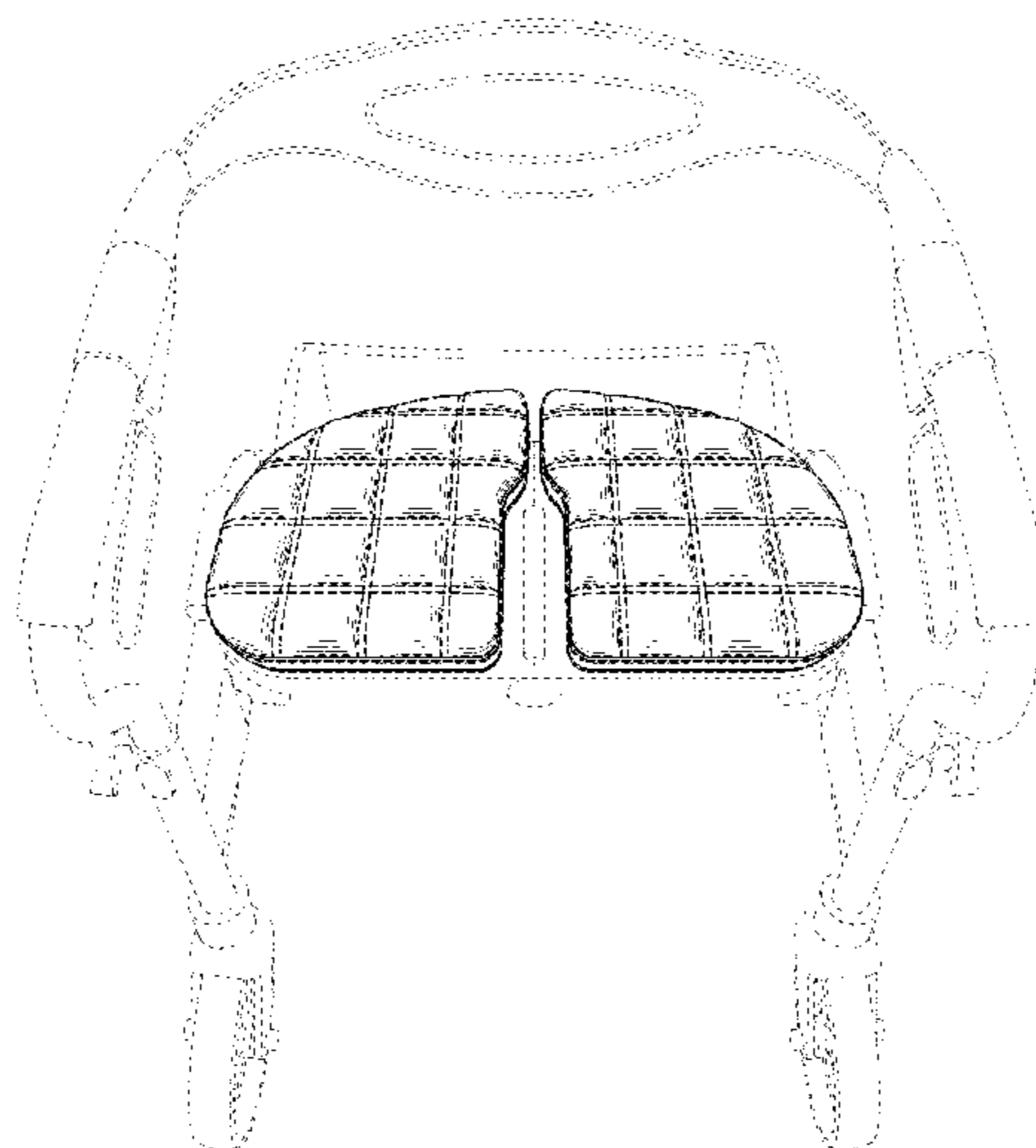
(57) **CLAIM**

The ornamental design for a set of seat cushions, as shown and described.

DESCRIPTION

FIG. 1 is a perspective view of the set of seat cushions, showing the rear and top sides thereof; FIG. 2 is a top view thereof; FIG. 3 is a bottom view thereof; FIG. 4 is a rear view thereof; FIG. 5 is a front view thereof; FIG. 6 is a left side view thereof; and, FIG. 7 is a right side view thereof. The broken lines in the drawings are included for the purpose of illustrating subject matter that forms no part of the claimed design.

1 Claim, 7 Drawing Sheets



US D828,701 S

(56)

References Cited

U.S. PATENT DOCUMENTS

				4,830,035 A	5/1989	Liu	
				4,856,123 A	8/1989	Henderson et al.	
				4,861,104 A *	8/1989	Malak	B60N 2/5825 297/218.3
				4,883,317 A	11/1989	Davenport	
				4,890,355 A	1/1990	Schulten	
				4,907,794 A	3/1990	Rose	
				4,907,839 A	3/1990	Rose et al.	
				4,913,452 A	4/1990	Zun	
				4,930,697 A	6/1990	Takahashi et al.	
				4,974,760 A	12/1990	Miller	
				5,012,963 A	5/1991	Rosenbaum	
				5,046,748 A	9/1991	Oat-Judge	
				5,052,075 A	10/1991	Harris	
				5,103,530 A	4/1992	Andrisin, III et al.	
				5,109,569 A	5/1992	Shaw	
				5,158,313 A	10/1992	Becker	
				5,167,048 A	12/1992	Geiger et al.	
				5,188,139 A	2/1993	Garellick	
				5,269,157 A	12/1993	Ciminelli et al.	
				5,279,180 A	1/1994	Henriksson	
				5,288,134 A *	2/1994	Hewko	B60N 2/68 297/311
				5,293,965 A	3/1994	Nagano	
				5,294,027 A	3/1994	Plastina	
				5,348,336 A	9/1994	Fernie et al.	
				5,353,824 A	10/1994	Woods et al.	
				5,356,237 A	10/1994	Sung	
				5,380,034 A	1/1995	Wilson	
				2,710,084 A	6/1995	Braverman	
				5,429,377 A	7/1995	Duer	
				5,433,235 A	7/1995	Miric et al.	
				5,465,745 A	11/1995	Davis	
				5,465,986 A	11/1995	MacRae	
				5,475,896 A	12/1995	Wang	
				5,482,189 A	1/1996	Dentler et al.	
				5,499,697 A	3/1996	Trimble et al.	
				5,513,789 A	5/1996	Woods et al.	
				5,527,096 A	6/1996	Shimer	
				D371,267 S *	7/1996	Ivy	5/653
				5,531,238 A	7/1996	Azzarelli et al.	
				5,551,413 A	9/1996	Walk	
				5,593,461 A	1/1997	Reppert et al.	
				5,594,974 A	1/1997	Wattron et al.	
				5,605,345 A	2/1997	Erfurth et al.	
				5,621,997 A	4/1997	Pearce	
				5,622,404 A	4/1997	Menne	
				5,632,362 A	5/1997	Leitner	
				5,639,052 A	6/1997	Sauve	
				5,640,741 A	6/1997	Yano	
				5,662,342 A	9/1997	Basharat	
				5,681,092 A *	10/1997	Hanson	A61G 5/1043 297/284.9
				D386,035 S *	11/1997	Matsler	D6/596
				D386,036 S *	11/1997	Laidlaw	D6/601
				5,687,984 A	11/1997	Samuel	
				5,692,762 A	12/1997	Obitts	
				D389,692 S *	1/1998	Graebe	D6/601
				D389,702 S *	1/1998	Graebe	D6/601
				5,722,717 A	3/1998	Rettenberger	
				D394,578 S *	5/1998	Raburn	D6/596
				5,772,234 A	6/1998	Luo	
				5,774,936 A	7/1998	Vetter	
				5,775,352 A	7/1998	Obitts	
				D396,981 S *	8/1998	Laidlaw	5/654
				5,813,582 A	9/1998	Wright	
				5,816,650 A	10/1998	Lucas, Jr.	
				5,839,140 A *	11/1998	Wilkerson	A61G 5/1043 5/654
				5,865,065 A	2/1999	Chiu	
				5,896,779 A	4/1999	Biersteker et al.	
				5,901,891 A	5/1999	Douglass	
				5,915,712 A	6/1999	Stephenson et al.	
				5,927,441 A	7/1999	Luo	
				5,953,962 A	9/1999	Hewson	
				5,954,161 A	9/1999	Lee	
				6,032,765 A	3/2000	Hsi-Chia	
				6,047,439 A	4/2000	Stearn	
				6,079,290 A	6/2000	Li	
2,169,860 A	8/1939	Von Hoorn					
2,237,475 A *	4/1941	Church	B60N 2/38 297/228.11				
2,483,307 A	9/1949	Wheary, Jr.					
2,571,209 A *	10/1951	Cramer	A47C 7/185 267/145				
2,631,655 A	3/1953	Jannello					
2,656,881 A	10/1953	Hamilton					
2,681,809 A	6/1954	Hamill					
2,732,047 A	1/1956	Finkelstein					
2,750,996 A *	6/1956	Cramer	A47C 7/185 267/145				
2,812,227 A	11/1957	Hill					
2,864,466 A	12/1958	Taylor					
2,866,495 A	12/1958	Diehl et al.					
2,937,248 A	5/1960	Michetti					
2,987,149 A	6/1961	Finkelstein					
3,018,506 A	1/1962	Haydock					
3,061,049 A	10/1962	Bramley					
3,109,899 A	11/1963	Pastene					
3,194,577 A	7/1965	Berlin					
3,268,965 A	8/1966	Arthur					
3,276,047 A *	10/1966	Emery	A47C 7/021 297/452.41				
3,288,250 A	11/1966	Oja et al.					
3,296,635 A *	1/1967	O'Hanlan	A47C 7/021 297/219.1				
3,376,400 A	4/1968	Batt et al.					
3,393,012 A *	7/1968	Chancellor, Jr.	A47C 7/022 297/452.51				
3,409,105 A	11/1968	Clinton					
3,690,652 A	9/1972	Schneider					
3,692,155 A	9/1972	Laurita					
3,890,668 A	6/1975	Stosberg et al.					
3,903,944 A	9/1975	Montgomery et al.					
3,927,727 A	12/1975	Hanagan					
3,969,964 A	7/1976	George et al.					
4,029,279 A	6/1977	Nakatani					
4,029,311 A	6/1977	Chanslor et al.					
4,056,115 A	11/1977	Thomas					
4,087,141 A	5/1978	Roberts					
4,116,464 A	9/1978	Haley					
4,149,721 A	4/1979	Strickland					
4,184,618 A	1/1980	Jones					
4,185,936 A	1/1980	Takahashi					
4,261,561 A	4/1981	Ilon					
4,286,401 A	9/1981	Pachmayr et al.					
4,325,561 A	4/1982	Lynn					
4,371,183 A	2/1983	Dion					
4,384,713 A	5/1983	Deutsch et al.					
4,414,702 A	11/1983	Neumann					
4,415,198 A	11/1983	Brearley					
4,449,750 A	5/1984	Pultman					
4,460,188 A	7/1984	Haloof					
4,462,138 A	7/1984	Black					
4,477,098 A	10/1984	Minnebraker					
4,493,488 A	1/1985	Panaia et al.					
4,494,271 A	1/1985	Perlin et al.					
4,509,662 A	4/1985	Weiss					
4,570,370 A	2/1986	Smith et al.					
4,572,409 A	2/1986	Finnegan					
4,596,484 A	6/1986	Nakatani					
4,659,099 A	4/1987	Malone					
4,669,146 A	6/1987	Saito et al.					
4,676,416 A	6/1987	Harmon					
4,709,431 A *	12/1987	Shaktman	A47C 7/022 128/98.1				
4,722,114 A	2/1988	Neumann					
D294,900 S *	3/1988	Willingham	D6/596				
4,740,010 A	4/1988	Moskovitz					
4,761,092 A	8/1988	Nakatani					
4,765,644 A	8/1988	Bell					
4,800,911 A	1/1989	Endres et al.					
4,800,991 A	1/1989	Miller					

(56)

References Cited

U.S. PATENT DOCUMENTS

6,079,894 A	6/2000	Obitts		7,278,436 B2	10/2007	Gale et al.	
6,082,468 A	7/2000	Pusateri et al.		7,306,246 B2	12/2007	Gale	
6,098,487 A	8/2000	Chien		7,353,566 B2	4/2008	Scheiber et al.	
6,099,002 A	8/2000	Uchiyama		7,377,285 B2	5/2008	Karasin et al.	
6,112,446 A	9/2000	Förster et al.		7,383,611 B2	6/2008	Foster	
6,135,475 A	10/2000	Brown et al.		7,384,058 B2	6/2008	Munsey et al.	
6,142,526 A	11/2000	Katz		7,410,179 B2	8/2008	Lönkvist	
6,161,896 A	12/2000	Johnson et al.		7,422,550 B1	9/2008	Pinero et al.	
6,189,914 B1	2/2001	Worth et al.		7,445,216 B1	11/2008	Chou	
6,192,772 B1	2/2001	Huang		7,494,138 B2	2/2009	Graham	
6,196,562 B1	3/2001	Zhuang		7,500,689 B2	3/2009	Pasternak et al.	
6,202,502 B1	3/2001	Chung-Che		7,559,560 B2	7/2009	Li et al.	
D440,451 S *	4/2001	Roberts	D6/601	7,587,852 B1	9/2009	Harms	
D440,452 S *	4/2001	Roberts	D6/601	D618,030 S *	6/2010	Wang	D6/601
D440,453 S *	4/2001	Roberts	D6/601	7,775,547 B2	8/2010	Dotsey et al.	
D440,454 S *	4/2001	Roberts	D6/601	7,828,305 B2	11/2010	Meyers et al.	
D440,808 S *	4/2001	Roberts	D6/601	7,837,205 B2	11/2010	Simard	
6,216,299 B1 *	4/2001	Kohlman	A61G 5/1043 5/654	7,926,834 B2	4/2011	Willis	
				7,980,415 B2	7/2011	Crawley	
				7,984,724 B1	7/2011	Eberle	
				D643,665 S *	8/2011	Goeckel	D6/601
				7,996,940 B1 *	8/2011	Dahm	A47C 4/54 297/452.41
6,216,825 B1	4/2001	Hung		8,002,363 B2	8/2011	Cheng	
6,247,741 B1	6/2001	Seel et al.		D645,284 S *	9/2011	Goeckel	D6/601
D446,674 S *	8/2001	Chapman	5/653	D645,285 S *	9/2011	Goeckel	D6/601
6,283,484 B1	9/2001	Malmström		3,020,679 A1	9/2011	Wu	
6,296,261 B1	10/2001	deGoma		8,020,679 B2	9/2011	Wu	
6,296,263 B1	10/2001	Schultz et al.		D646,101 S *	10/2011	Goeckel	D6/601
6,311,708 B1	11/2001	Howle		D647,343 S *	10/2011	Goeckel	D6/601
6,318,392 B1	11/2001	Chen		D647,344 S *	10/2011	Goeckel	D6/601
6,338,355 B1	1/2002	Cheng		D647,345 S *	10/2011	Goeckel	D6/601
6,338,493 B1	1/2002	Wohlgemuth et al.		8,083,239 B2	12/2011	Liu	
6,340,168 B1	1/2002	Woleen		8,087,127 B2	1/2012	Dayt	
6,354,619 B1	3/2002	Kim		D657,604 S *	4/2012	Chen	D6/601
6,364,070 B1	4/2002	Chen		8,157,273 B2	4/2012	Bar-Lev	
6,371,142 B1	4/2002	Battiston		D658,396 S *	5/2012	Sprouse, II	D6/354
6,378,883 B1	4/2002	Epstein		8,167,351 B2	5/2012	Plowman	
6,386,575 B1	5/2002	Turner		8,251,380 B2	8/2012	Liu	
6,401,321 B2	6/2002	Carey et al.		8,251,391 B2	8/2012	Kohler et al.	
6,409,196 B1	6/2002	McFarland		8,313,066 B2	11/2012	Hampton et al.	
6,442,797 B1	9/2002	Yang et al.		D672,569 S *	12/2012	Sprouse, II	D6/354
6,467,785 B2	10/2002	Toppes		8,424,215 B2	4/2013	Quintiliani et al.	
D466,353 S *	12/2002	Marks	D6/601	8,434,171 B2	5/2013	Wang	
6,491,318 B1	12/2002	Galt et al.		8,448,960 B2	5/2013	Liu	
6,494,469 B1	12/2002	Hara et al.		8,454,094 B1 *	6/2013	Boulware, Sr.	B60N 2/7005 297/452.42
6,502,280 B2	1/2003	Looker					
6,527,136 B1	3/2003	Sabounjian		8,505,936 B2	8/2013	Liu	
6,584,641 B1	7/2003	Milbredt		8,511,694 B2	8/2013	Bradshaw et al.	
6,604,789 B1	8/2003	Downing		8,517,399 B2	8/2013	Liu	
6,647,825 B1	11/2003	Lin		D690,534 S *	10/2013	Meldeau	D6/601
6,651,994 B2	11/2003	Hallgrimsson et al.		8,573,613 B2	11/2013	Liu	
6,655,702 B2	12/2003	Senger		8,602,424 B2	12/2013	Liu	
6,659,478 B2	12/2003	Hallgrimsson et al.		D697,163 S	1/2014	Bietsch	
6,688,633 B2	2/2004	van't Schip		8,801,073 B1	8/2014	Gray, Jr. et al.	
D489,113 S *	4/2004	Peterson	D21/803	8,850,645 B1 *	10/2014	Jackson	A47C 7/021 297/452.23
6,754,936 B2	6/2004	Erefiaga					
6,755,285 B1	6/2004	Wu		8,857,093 B2	10/2014	Hogue	
6,769,701 B1	8/2004	Clausen		8,864,151 B1	10/2014	Liu	
6,810,560 B1	11/2004	Tsai		8,936,256 B2	1/2015	Liu	
6,817,066 B1	11/2004	Williams et al.		8,990,985 B1 *	3/2015	Wilhelm	A47C 7/20 5/653
6,837,503 B2	1/2005	Chen et al.					
D501,432 S	2/2005	Møller		9,022,397 B1	5/2015	Prettyman	
6,877,519 B2	4/2005	Fink		9,022,413 B2	5/2015	Liu	
6,886,216 B2	5/2005	Graham et al.		D731,816 S *	6/2015	Edgemon	D6/601
6,886,575 B2	5/2005	Diamond		D737,075 S *	8/2015	Albrecht	D6/601
6,889,998 B2	5/2005	Sterns et al.		D737,599 S *	9/2015	Aldridge	D6/604
D508,182 S *	8/2005	Colonello	D6/601	D755,543 S *	5/2016	Upadhyay	D6/601
D512,258 S *	12/2005	Colonello	D6/601	D780,484 S *	3/2017	Goddard	D6/601
7,024,714 B1 *	4/2006	Yates	A47C 7/022 297/452.23	D780,485 S *	3/2017	Goddard	D6/601
				D782,849 S *	4/2017	Goddard	D6/601
7,052,030 B2	5/2006	Serhan		D783,313 S *	4/2017	Trubac	D6/601
7,090,239 B2	8/2006	Yoshie et al.		D787,859 S *	5/2017	Goddard	D6/601
7,108,004 B2	9/2006	Cowie et al.		D787,860 S *	5/2017	Goddard	D6/601
D529,324 S *	10/2006	Yates	D6/601	D805,323 S *	12/2017	Chan	D6/601
7,182,179 B2	2/2007	Tolfsen		2002/0079663 A1	6/2002	Hallgrimsson et al.	
7,211,744 B2	5/2007	Jorgensen		2002/0093178 A1	7/2002	Turner et al.	
7,219,906 B2	5/2007	Hallgrimsson et al.		2002/0140196 A1	10/2002	Crouch et al.	
7,231,689 B2	6/2007	Scheiber et al.		2003/0010368 A1	1/2003	MacKinnon	

(56)

References Cited

U.S. PATENT DOCUMENTS

2003/0226584 A1 12/2003 Serhan
 2004/0094999 A1 5/2004 Volotsenko
 2004/0111830 A1 6/2004 Cooper et al.
 2005/0001398 A1 1/2005 Serhan
 2005/0022305 A1* 2/2005 Bieganeck A47C 7/022
 5/630
 2005/0057021 A1 3/2005 Miyoshi
 2005/0121481 A1 6/2005 Chiu
 2005/0156395 A1 7/2005 Bohn
 2005/0156404 A1 7/2005 Lauren et al.
 2005/0211285 A1 9/2005 Cowie et al.
 2005/0248169 A1 11/2005 Clark et al.
 2005/0250605 A1 11/2005 Moore et al.
 2006/0059656 A1 3/2006 Hackett
 2006/0156511 A1 7/2006 Li
 2007/0007807 A1* 1/2007 Hahn B60N 2/06
 297/344.12
 2007/0170699 A1 7/2007 Li et al.
 2007/0199586 A1 8/2007 Cheng
 2007/0227570 A1 10/2007 Gale et al.
 2007/0235067 A1 10/2007 Gale et al.
 2007/0267054 A1 11/2007 Meyers et al.
 2007/0267453 A1 11/2007 Carroll
 2007/0278271 A1 12/2007 Koren
 2007/0278768 A1 12/2007 Lynam
 2007/0283990 A1 12/2007 Fernandez et al.
 2008/0042476 A1 2/2008 Hei et al.
 2008/0079230 A1 4/2008 Graham
 2008/0093874 A1 4/2008 Partch
 2008/0111349 A1 5/2008 Willis
 2008/0121258 A1 5/2008 Lin
 2008/0129016 A1 6/2008 Willis
 2008/0174084 A1 7/2008 Gee
 2008/0315644 A1* 12/2008 Briscoe A47C 7/425
 297/230.1
 2009/0033052 A1 2/2009 Bradshaw et al.
 2009/0206578 A1 8/2009 Pizmony et al.
 2010/0083994 A1 4/2010 Liu
 2010/0301574 A1 12/2010 Derks
 2010/0314929 A1* 12/2010 Hsu A47C 7/022
 297/452.48
 2011/0146027 A1 6/2011 Tsai
 2011/0173861 A1 7/2011 Roth
 2011/0175424 A1* 7/2011 Ghisoni B60N 2/449
 297/452.18
 2011/0187067 A1 8/2011 Staggs
 2011/0241303 A1 10/2011 Campbell
 2012/0043739 A1 2/2012 Liu
 2012/0073056 A1* 3/2012 Freund A47G 9/0253
 5/639
 2012/0084940 A1 4/2012 Tsai
 2012/0104710 A1 5/2012 Liu
 2012/0133106 A1 5/2012 Liu
 2012/0205882 A1 8/2012 Staggs
 2012/0280463 A1 11/2012 Liu
 2012/0299272 A1 11/2012 Liu
 2013/0061893 A1 3/2013 Nilsson et al.
 2013/0062864 A1 3/2013 Huang
 2013/0168947 A1 7/2013 Offord
 2013/0187356 A1 7/2013 Hazeleger
 2013/0198961 A1* 8/2013 Davis A47C 7/62
 5/648
 2013/0245517 A1* 9/2013 Eddy A47C 7/022
 601/136
 2013/0257132 A1* 10/2013 Chen A47C 7/021
 297/452.21
 2013/0264787 A1 10/2013 Cheng et al.
 2013/0320640 A1 12/2013 Liu
 2014/0125037 A1 5/2014 Andersen
 2014/0175841 A1 6/2014 Liu
 2014/0284891 A1 9/2014 Liu
 2014/0305249 A1 10/2014 Liu
 2014/0312586 A1 10/2014 Cheng et al.
 2014/0333040 A1 11/2014 Liu

2015/0048582 A1 2/2015 Liu
 2015/0108802 A1* 4/2015 Krishtul A47C 7/022
 297/283.1
 2015/0164229 A1* 6/2015 Popp A47C 7/021
 5/652.1
 2015/0209206 A1* 7/2015 Bargellini A61G 5/1043
 297/217.2
 2017/0065085 A1* 3/2017 Chan A47C 7/746
 2017/0174346 A1* 6/2017 Wilson B64D 11/0647
 2017/0354258 A1* 12/2017 Keen A47C 7/022

FOREIGN PATENT DOCUMENTS

CA 2137650 6/1995
 CA 2285305 10/1998
 CA 2352801 6/2000
 CA 2329485 6/2002
 CA 2513558 9/2004
 CA 2492392 9/2005
 CN 2551232 5/2003
 CN 102512310 A 6/2012
 CN 202490148 10/2012
 DE 4328875 2/1995
 DE 29818710 10/1999
 DE 10021151 A1 4/2002
 DE 102010031954 1/2012
 DE 202011003227 2/2012
 EP 1092411 4/2001
 EP 2090276 8/2009
 EP 2522404 11/2012
 GB 23483 5/1931
 GB 365901 1/1932
 GB 984025 2/1965
 GB 1396227 6/1975
 GB 2180508 4/1987
 JP 09123915 5/1997
 JP 10291401 11/1998
 NL 1022512 8/2004
 WO 199206661 4/1992
 WO 199851557 11/1998
 WO 20022070 3/2002
 WO 20022070 3/2002
 WO 2008019454 2/2008

OTHER PUBLICATIONS

TravelMate Coccyx Orthopedic Gel, [earliest Amazon review: May 31, 2014, online], [site visited Apr. 15, 2018]. Available from Internet, <URL: https://www.amazon.com/Travel-Mate-Orthopedic-Gel-enhanced-Medium-Firm-Comfort/dp/B00J4VIN1O/ref=cM_cr_arp_d_product_top?ie=UTF8> (Year: 2014).
 *Caster, <http://en.wikipedia.org/wiki/Caster>.
 Merriam-Webster Dictionary, Arch—Definition and More from the Free Merriam-Webster Dictionary.
 English Abstract web printout of JP9123915.
 English Abstract web printout of JP10291401.
 English Abstract web printout of NL1022512.
 English Abstract web printout of DE4328875.
 Thelma Thibodeau, “Affidavit of Thelma Thibodeau”, signed on Nov. 20, 2012, 113 pages, Montreal, Canada, listing the following:
 A web printout screen shot of <http://doclibrary.invacarefr/Office/Europe/Marketing/MktDocIE.nsf/MListeProduct?openform&bu=3000&subgroup=3300&family=3410> (exhibit TT-5)
 . . . Showing the words “Jazz Sales Brochure” besides a listing “May 1, 2008”, which allegedly eventually links to “Dolomite Jazz Operating Instructions” shown in exhibit TT-7([http://doclibrary.invacare.fr/Office/Europe/Marketing/MktDocIE.nsf/VALLMDocument/BCCFF695FBFFA571C12575BA0056AB70/\\$File/OPERATING%20INSTRUCTIONS%20JAZZ.pdf](http://doclibrary.invacare.fr/Office/Europe/Marketing/MktDocIE.nsf/VALLMDocument/BCCFF695FBFFA571C12575BA0056AB70/$File/OPERATING%20INSTRUCTIONS%20JAZZ.pdf)).
 A web printout screen shot of <http://web.archive.org/web/20080512005035/http://www.handicat.com/at-num-8827.html> (exhibits TT-16, 17) dated May 12, 2008.
 A web printout screen shot of <http://web.archive.org/web/20080512005035/http://www.handicat.com/at-num-18827.html> (translated) (exhibit TT-18) dated May 12, 2008.

(56)

References Cited

OTHER PUBLICATIONS

A web printout screen shot of http://doclibrary.invacare.fr/Office/Europe/Marketing/MktDocCor.nsf/MListeDocument?openform&bu=3000&subgroup=3300&family=3410&product=65_JAZ showing the words “TUV Certificate 2007—Jazz” (exhibit T-23).

“Pruefprotokoll/test protocol Rollatoren Jul. 2005”, signed on Oct. 30, 2007 (exhibit TT-25), Hannover, Germany.

A web printout screen shot of <http://web.archive.org/web/20080214151414/http://www.dolomite.biz/> (exhibit TT-32) dated Feb. 14, 2008.

A web printout screen shot of <http://web.archive.org/web/20080919040758/http://www.dolomite.biz/dolomite/dolomite-jazz.php> (exhibit TT-34) dated Feb. 14, 2008.

A web printout screen shot of <http://web.archive.org/web/20080608193327/http://www.dolomite.biz/dolomite/products.php> (exhibit TT-33) dated Feb. 14, 2008.

English Abstract web printout of DE102010031954.

A web screen shot printout from doclibrary.invacare.fr . . . (?) dated Aug. 6, 2013, in which adjacent to the heading “Dolomite Jazz”, a “Jazz Sales Brochure” is listed as

. . . Having a “start date of validity” of May 1, 2008, and in which a “Jazz spare parts list” is listed as having a “start date of validity” of May 1, 2008.

Two web screen shot printouts from doclibrary.invacare.fr . . . (?) dated Aug. 6, 2013, in which adjacent to a “Dolomite Jazz” heading, “2007” is set out by a “TUV certificate”.

Two web screen shot printouts from handicat.com/classif4-num-03-09-06.html, dated Aug. 6, 2013, in which adjacent to a “Dolomite Jazz” heading, the words *Crée le*

. . . May 7, 2008—Modifiée: Jul. 24, 2013, which may mean “Created on May 7, 2008—Modified: Jul. 27, 2013”.

A web screen shot printout of: web.archive.org/web/20080508194602/http://www.dolomite.biz/, dated May 8, 2008.

International Search Report and Written Opinion for PCT/CA2015/050058, dated May 1, 2015.

Translated English Abstract of CN2551232.

Translated English Abstract of CN202490148.

Translated English Abstract of DE202011003227.

English Translation of German Patent Reference DE29818710.

International Search Report and Written Opinion for International Patent Application No. PCT/CA2016/050371.

English Translation of Chinese Patent Reference No. 102512310A.

English Translation of German Patent Reference No. DE10021151A1.

International Search Report and Written Opinion for International Patent Application No. PCT/CA2008/002241.

* cited by examiner

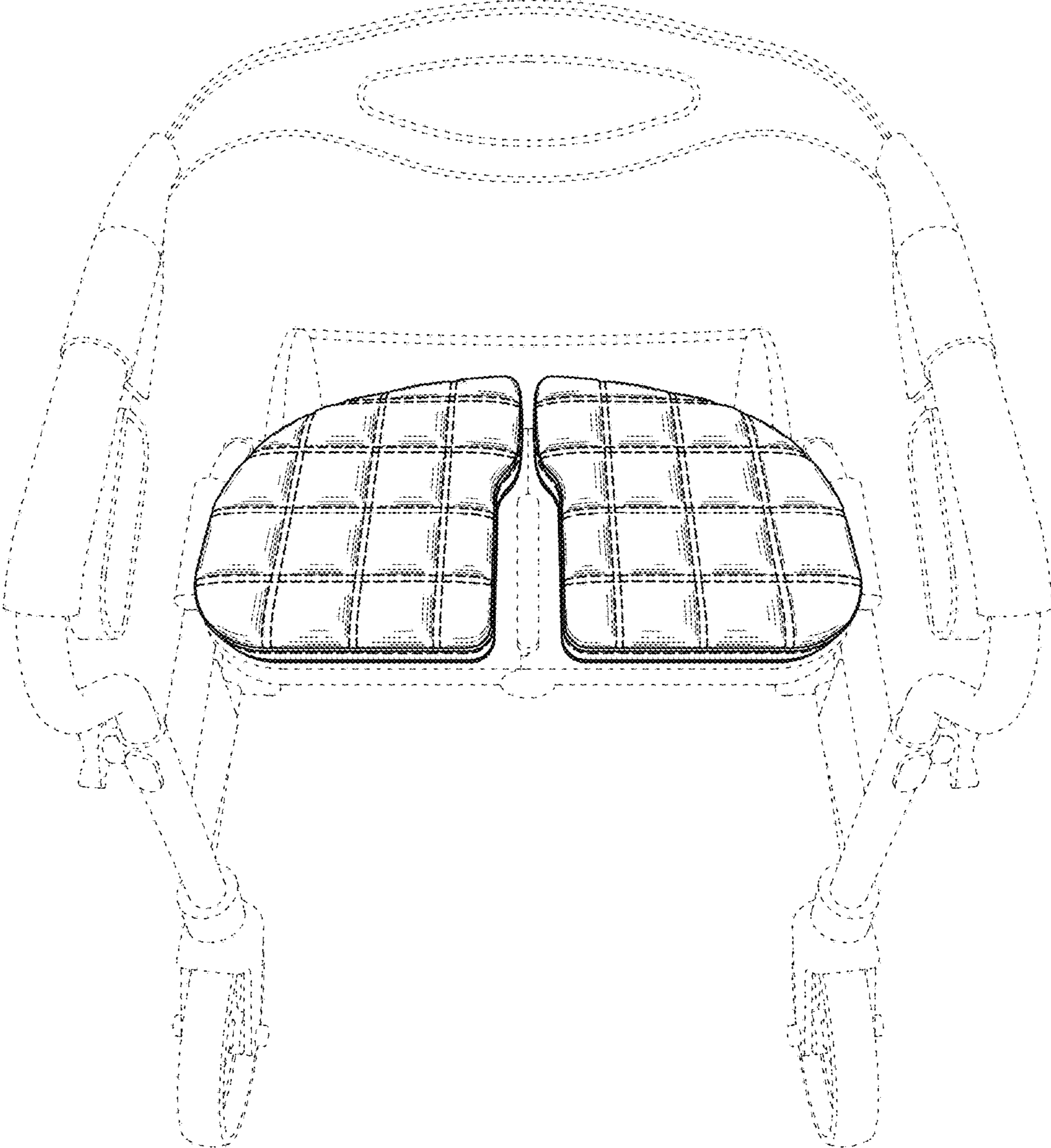


FIG. 1

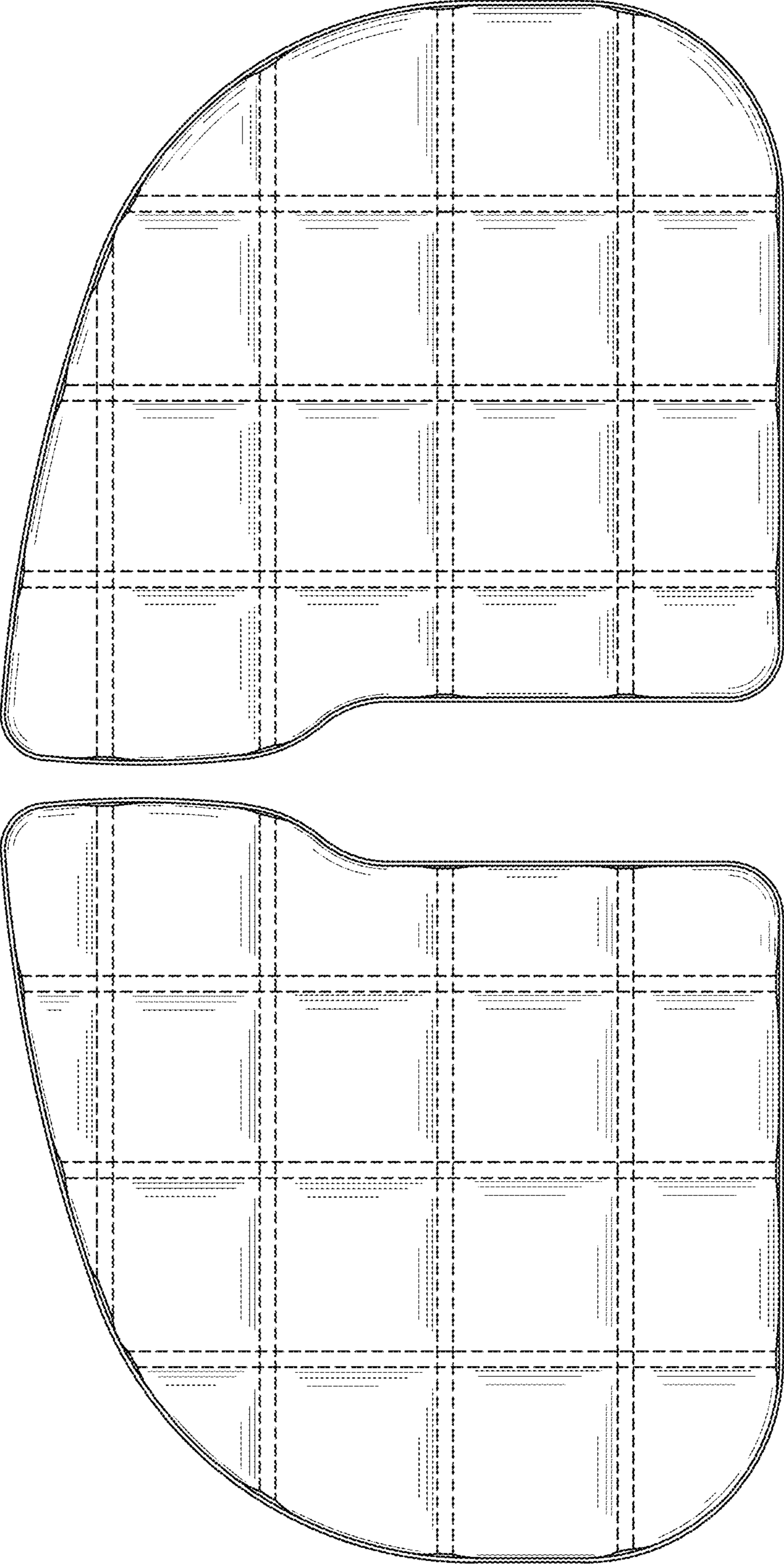


FIG. 2

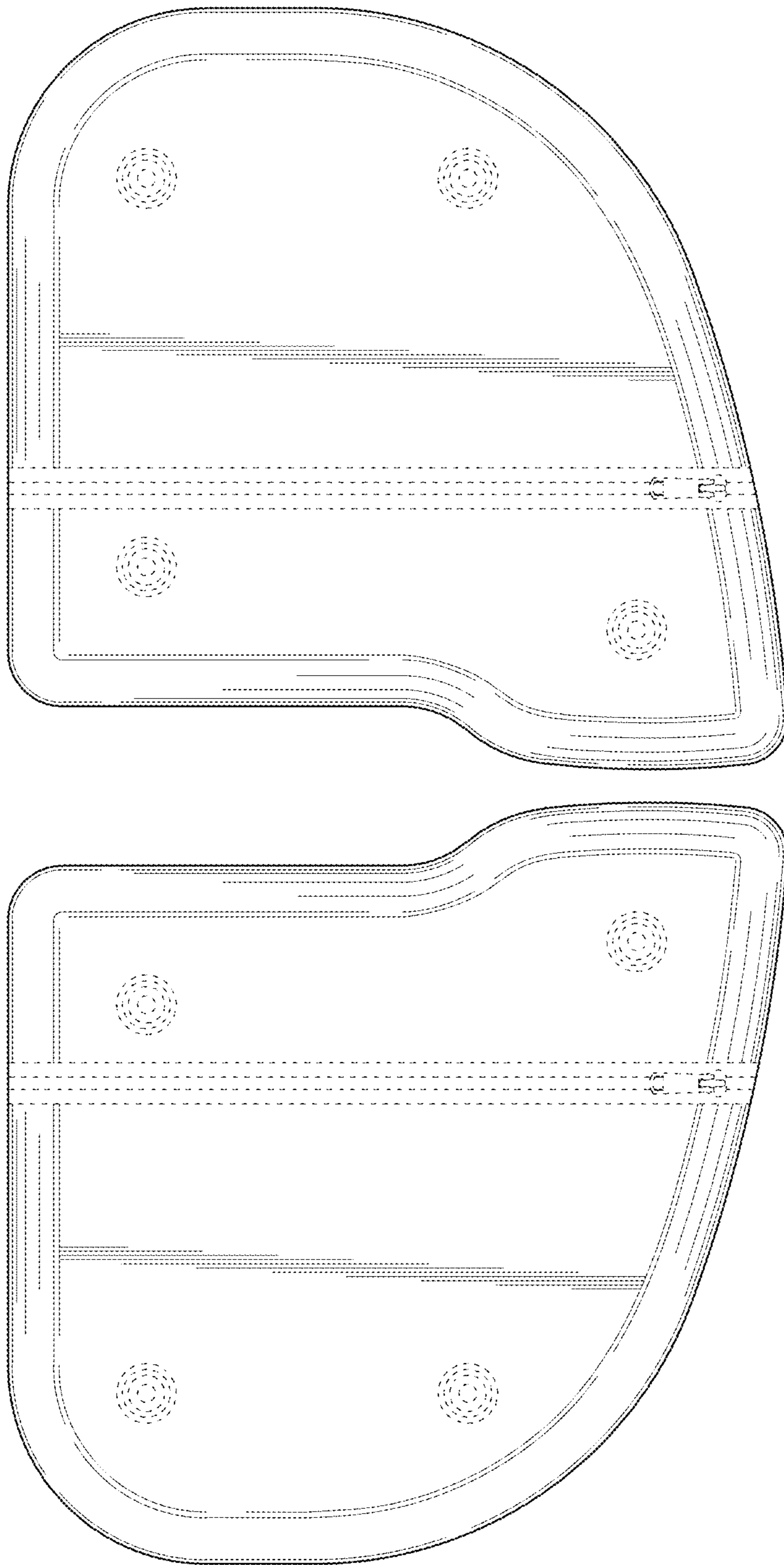


FIG. 3

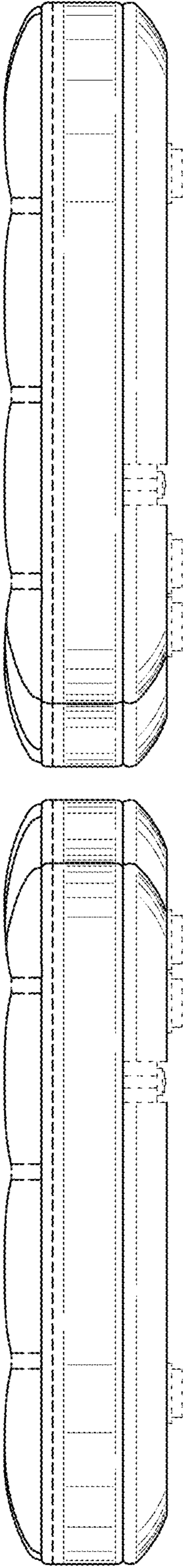


FIG. 4

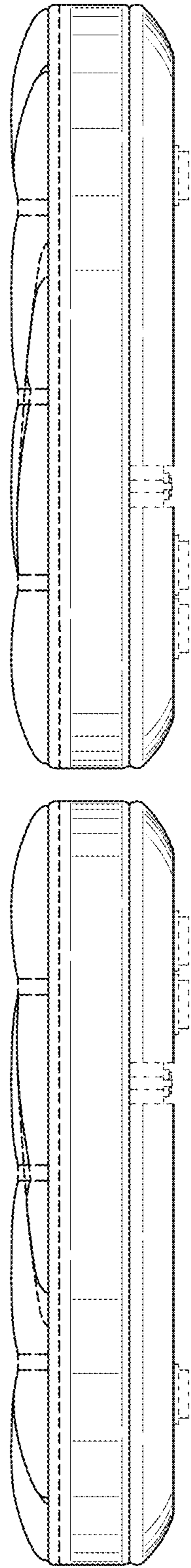


FIG. 5

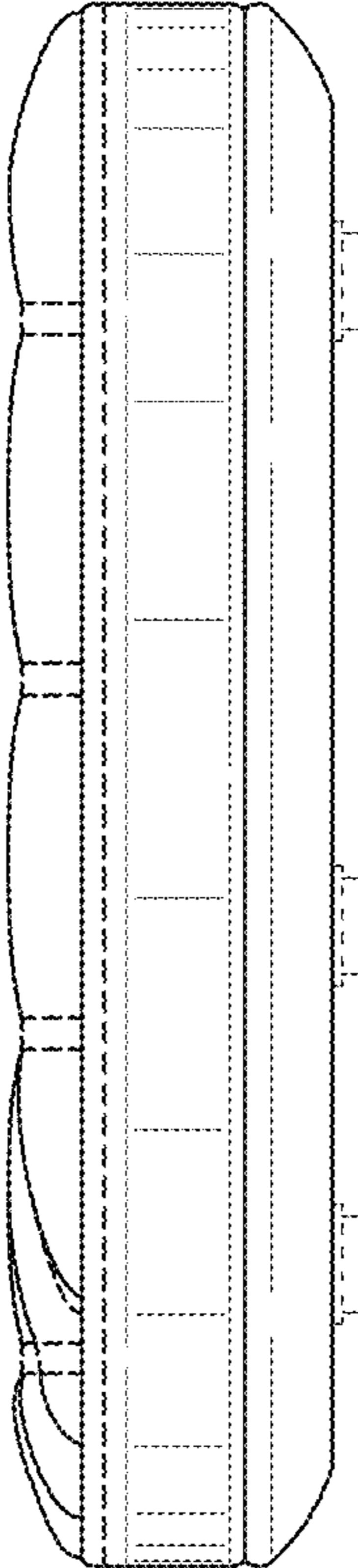


FIG. 6

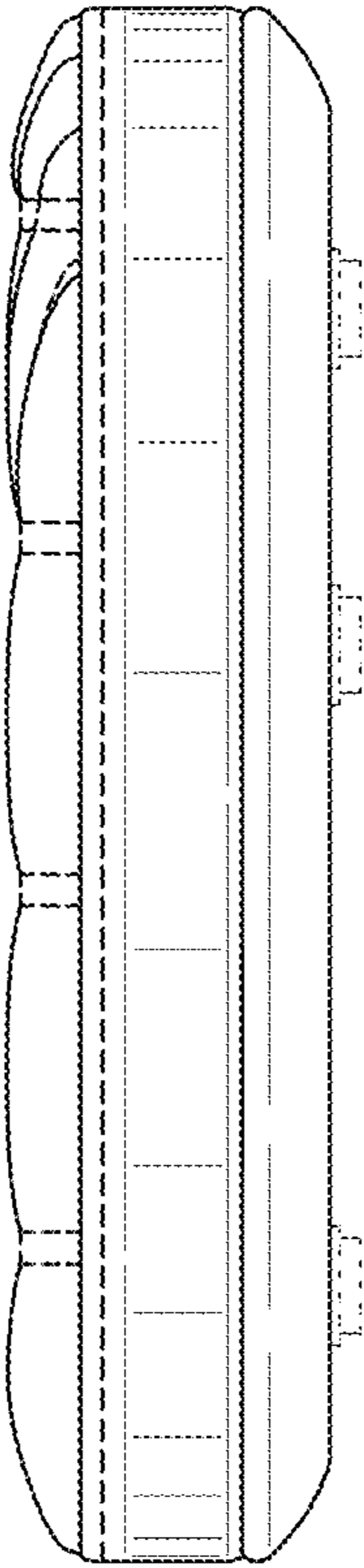


FIG. 7