



US00D828699S

(12) **United States Design Patent**  
**Martin**

(10) **Patent No.:** **US D828,699 S**

(45) **Date of Patent:** **\*\* Sep. 18, 2018**

(54) **REVERSIBLY WALL-MOUNTABLE  
EQUIPMENT SUPPORT AND ENCLOSURE  
COMPONENT**

D680,140 S \* 4/2013 Snyder ..... D15/141  
D718,555 S \* 12/2014 Fox ..... D6/552  
D719,352 S \* 12/2014 Shitrit ..... D3/282  
D775,883 S \* 1/2017 Mason ..... D6/705  
D798,597 S \* 10/2017 Dietsche ..... D3/294

(71) Applicant: **Bobby Martin**, Waco, TX (US)

(72) Inventor: **Bobby Martin**, Waco, TX (US)

(\*\*) Term: **15 Years**

(21) Appl. No.: **29/594,529**

(22) Filed: **Feb. 20, 2017**

(51) **LOC (11) Cl.** ..... **06-03**

(52) **U.S. Cl.**  
USPC ..... **D6/552**

(58) **Field of Classification Search**  
USPC ..... D6/552, 329, 553, 567, 574, 571, 657,  
D6/705, 406.4; D8/354, 374, 380;  
D15/140, 141, 199; D25/199;  
248/346.01, 346.02, 346.05, 678, 637,  
248/121, 200, 304, 309.1, 310, 312, 560;  
108/152; 211/64, 13.1, 49.1, 60.1, 70.5,  
211/86.01, 87.01, 88.01, 89.01, 181.1;  
312/116; D3/282, 294, 287, 900  
CPC ..... A47B 55/00; A47B 47/03; A47B 21/0314;  
A47B 83/001; A47B 13/088; A47B 3/00;  
A47B 5/04; H02B 1/40; B25H 1/04;  
B25H 3/06; B25H 3/00  
See application file for complete search history.

(56) **References Cited**

**U.S. PATENT DOCUMENTS**

D557,897 S \* 12/2007 Richardson ..... D3/294  
D627,166 S \* 11/2010 Fahim ..... D3/287

**OTHER PUBLICATIONS**

theomnishelf.com, The OmniShelf comes standard with 3 Industrial Strength Magnets with the option of adding 4 Industrial Strength Suction Cups, Jan. 27, 2018, The Omnishelf, URL:https://theomnishelf.com/shop?olsPage=products%2Fthe-omnishelf-case-with-padded-insert, 6 pages, retrived on Apr. 12, 2018 (Year: 2018).\*

\* cited by examiner

*Primary Examiner* — Wan Laymon  
*Assistant Examiner* — Mark Booker

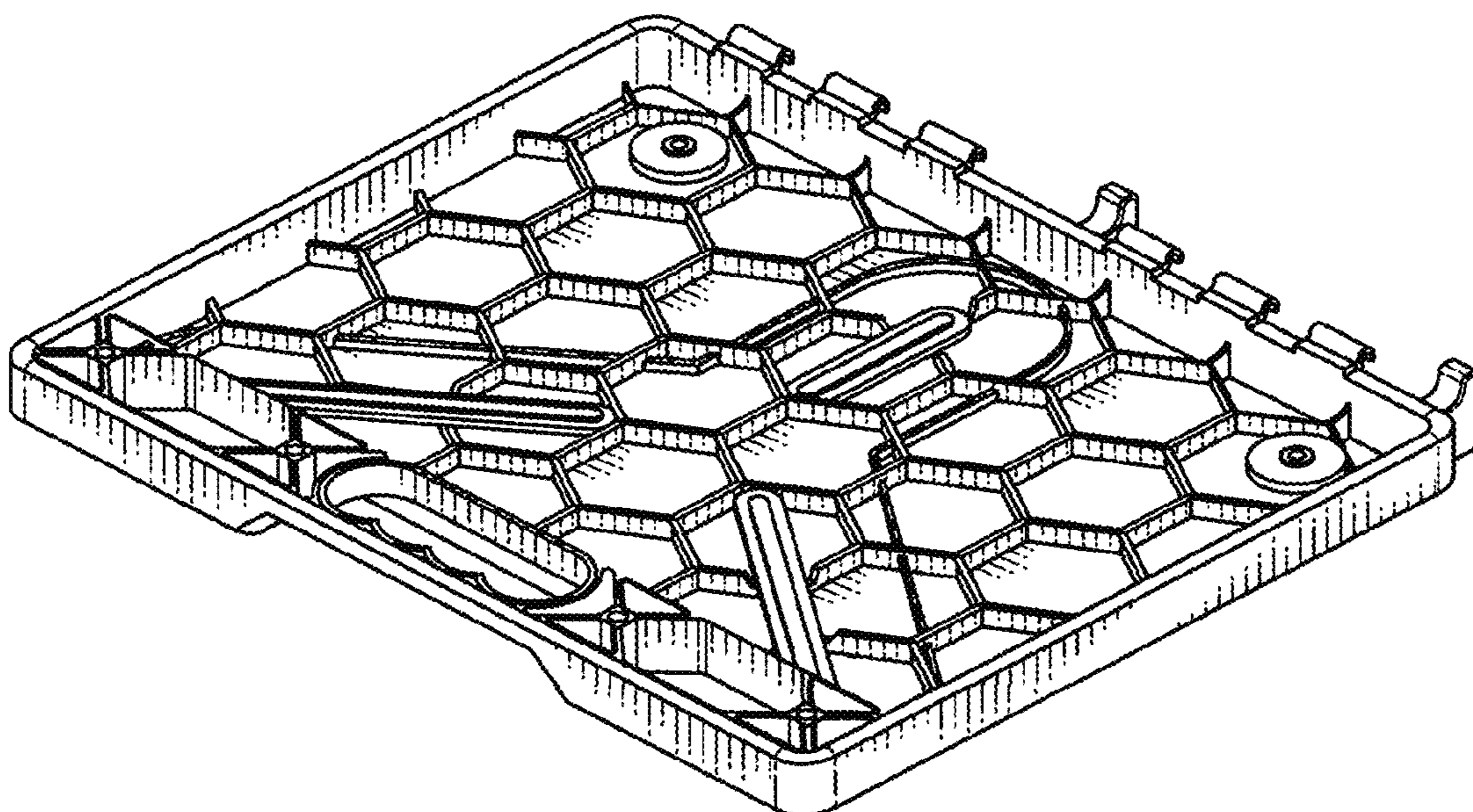
(57) **CLAIM**

The ornamental design for a reversibly wall-mountable equipment support and enclosure component, as shown.

**DESCRIPTION**

FIG. 1 is a perspective view of the top surface of the reversibly wall-mountable equipment support and enclosure component.  
FIG. 2 is a perspective view of the bottom surface thereof.  
FIG. 3 is a bottom plan view thereof.  
FIG. 4 is a top plan view thereof.  
FIG. 5 is a rear elevational view thereof.  
FIG. 6 is a right side elevational view thereof.  
FIG. 7 is a front side elevational view thereof; and,  
FIG. 8 is a left side elevational view thereof.

**1 Claim, 3 Drawing Sheets**



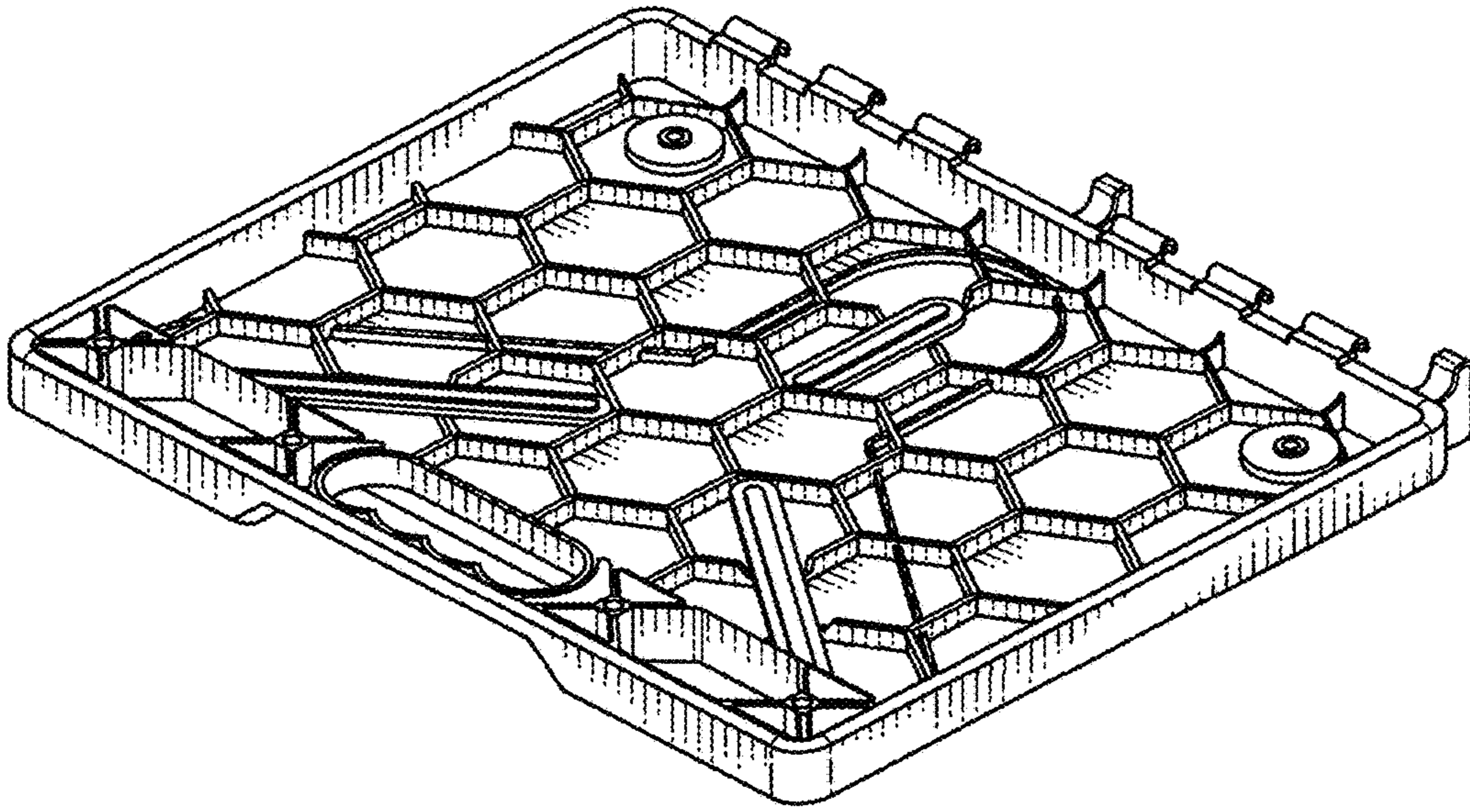


FIG. 1

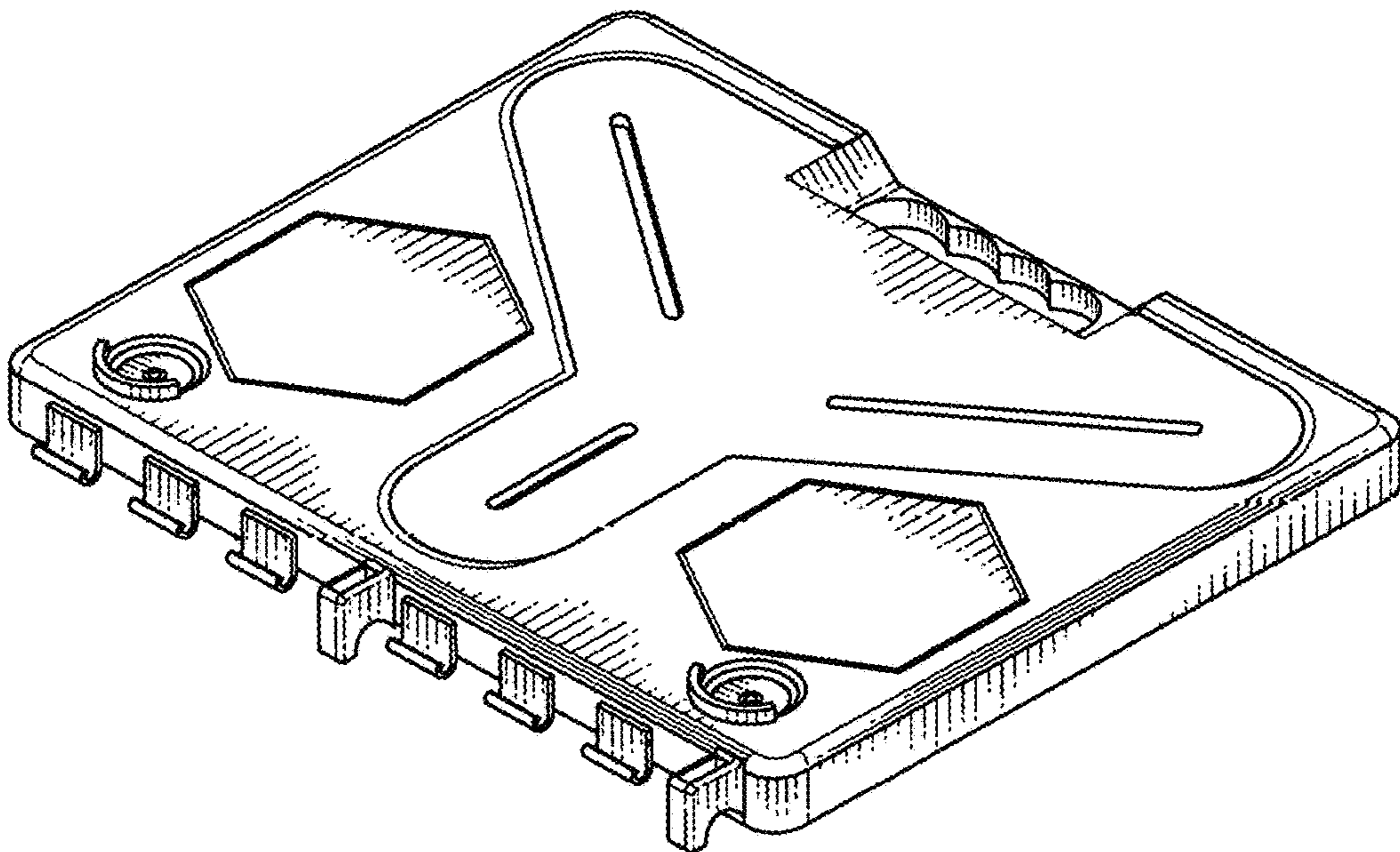


FIG. 2

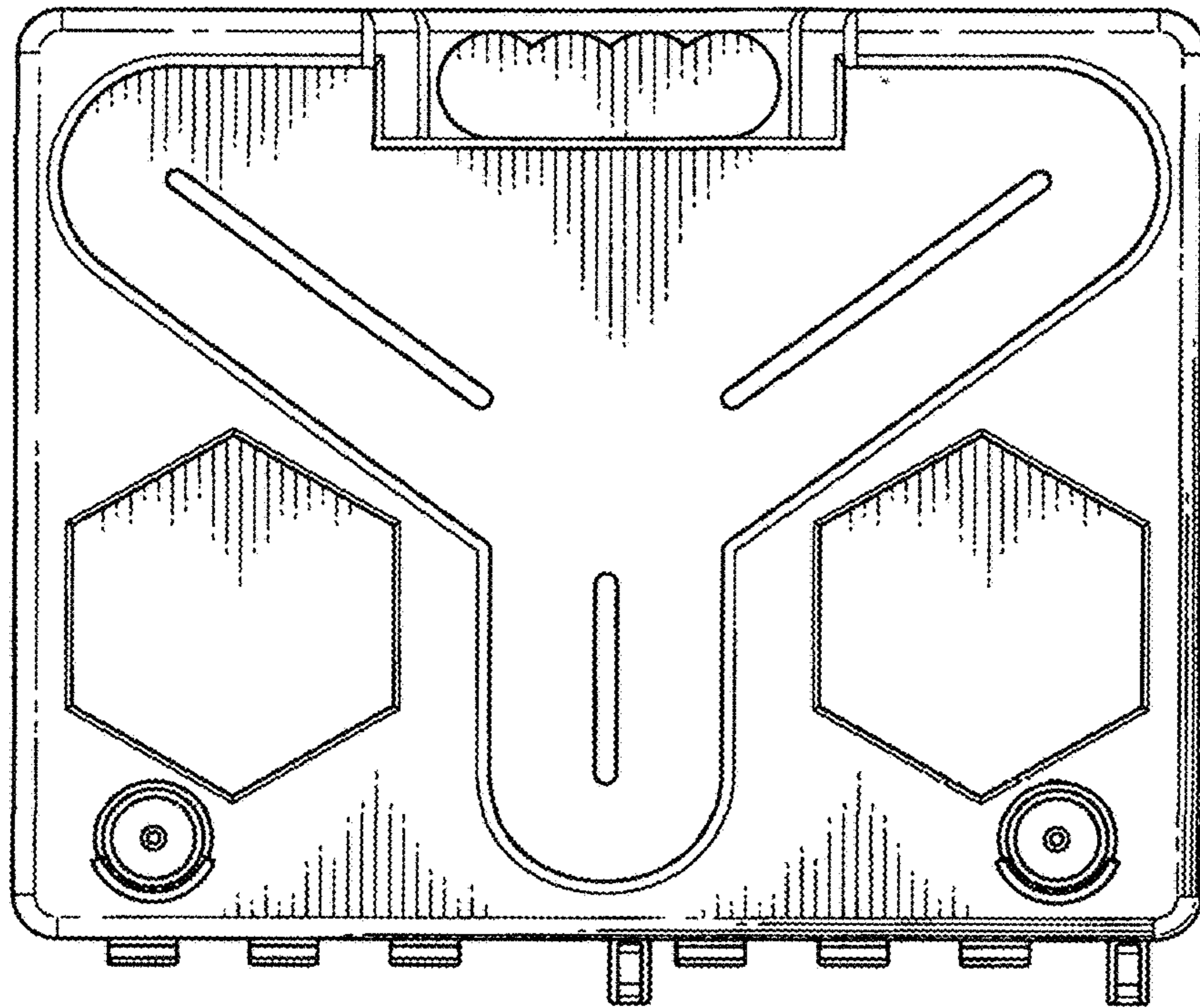


FIG. 3

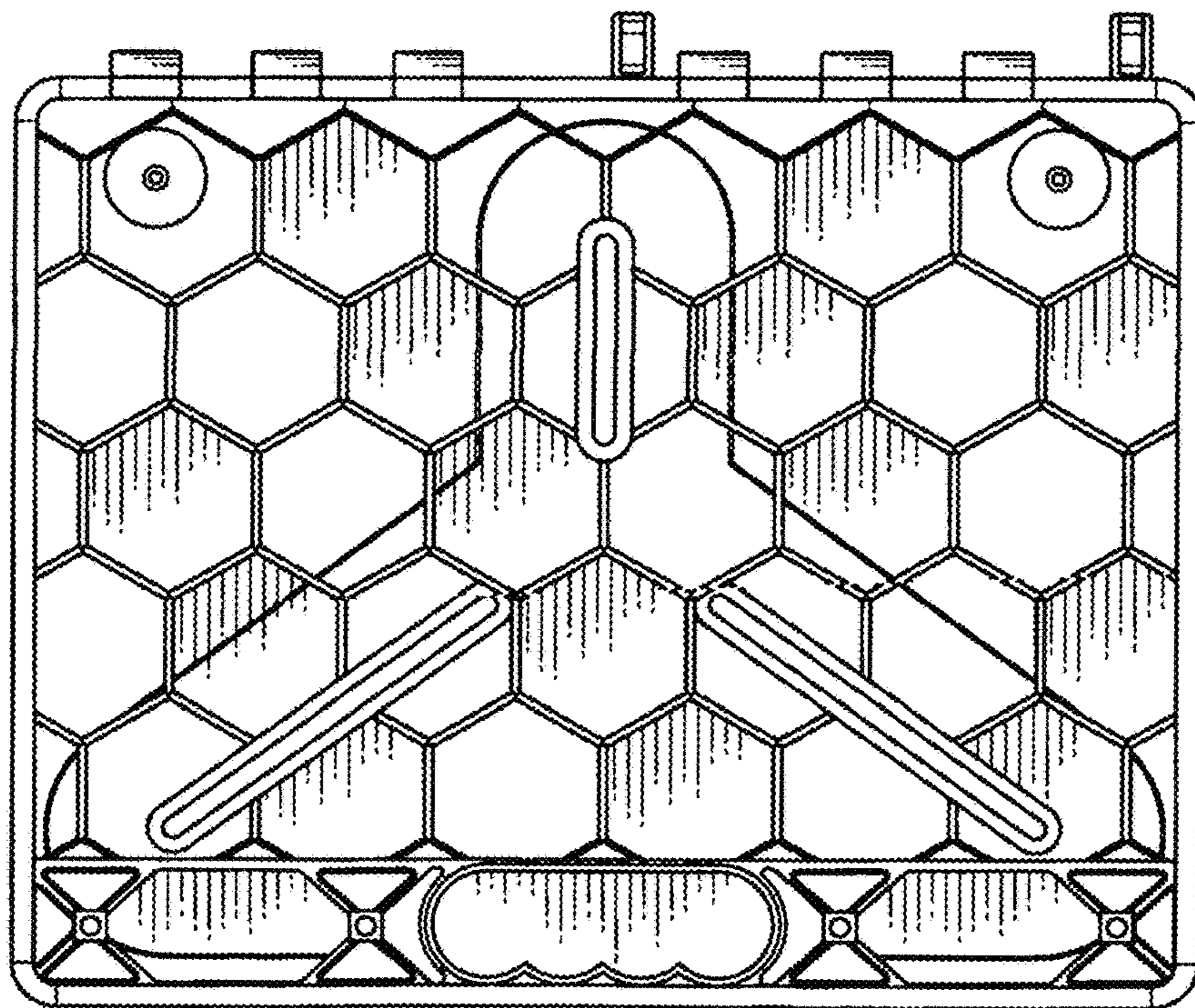


FIG. 4

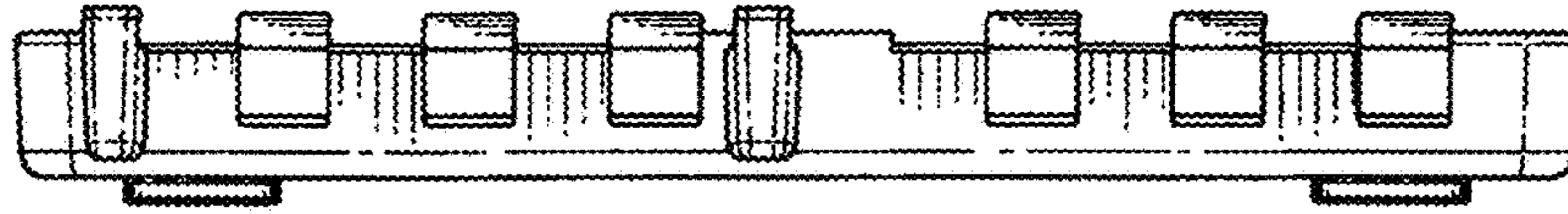


FIG. 5

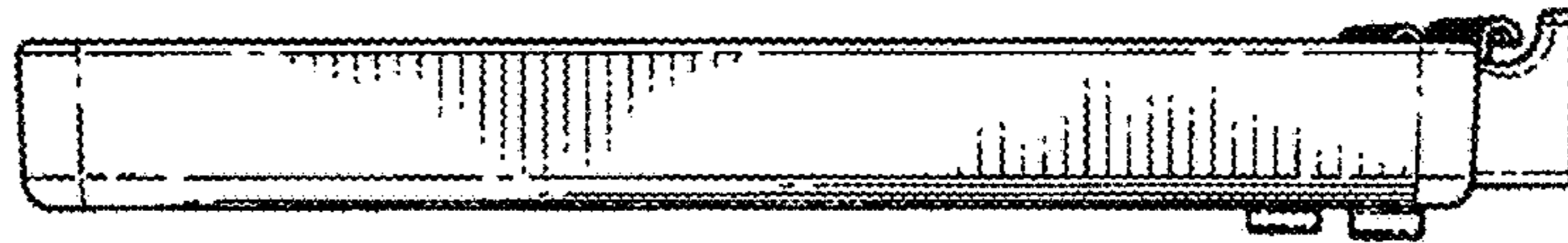


FIG. 6

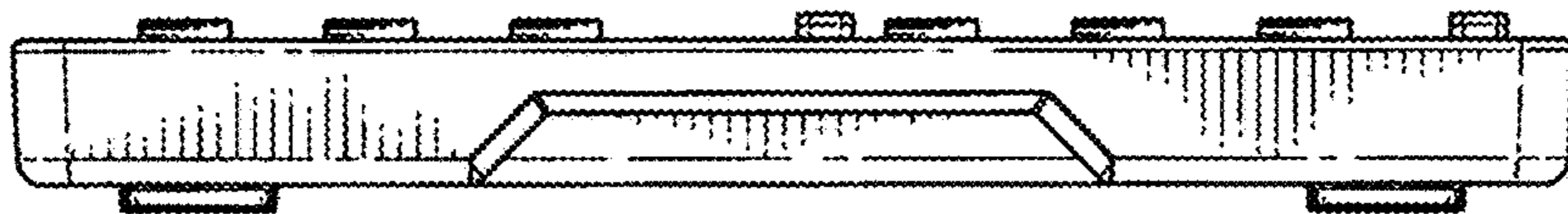


FIG. 7

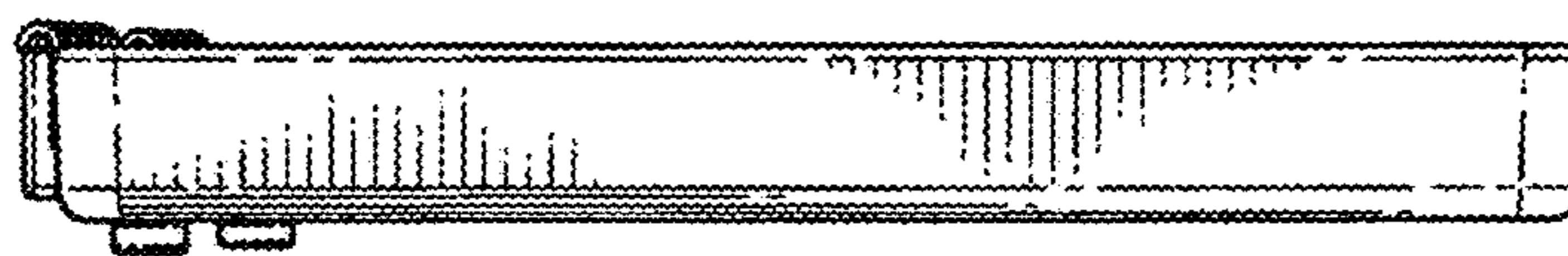


FIG. 8