



US00D828693S

(12) **United States Design Patent** (10) **Patent No.:** **US D828,693 S**  
**Karl** (45) **Date of Patent:** **\*\* Sep. 18, 2018**

(54) **LUGGAGE HANDLE**

FOREIGN PATENT DOCUMENTS

(71) Applicant: **Samsonite IP Holdings S.a r.l.**,  
Luxembourg (LU)

EM 000403720-0001 9/2005  
EM 003395508-0003 9/2016  
EM 003395508-0004 9/2016

(72) Inventor: **Philip Justin Karl**, Rehoboth, MA  
(US)

\* cited by examiner

(73) Assignee: **Samsonite IP Holdings S.a r.l.**,  
Luxembourg (LU)

*Primary Examiner* — Holly H Baynham

(74) *Attorney, Agent, or Firm* — Dorsey & Whitney LLP

(\*\*) Term: **15 Years**

(57) **CLAIM**

(21) Appl. No.: **29/607,723**

The ornamental design for a luggage handle, as shown and described.

(22) Filed: **Jun. 15, 2017**

(51) **LOC (11) Cl.** ..... **03-01**

(52) **U.S. Cl.**

USPC ..... **D3/318**

(58) **Field of Classification Search**

USPC ..... D3/273, 279, 285, 289, 318

CPC ..... A45C 5/14; A45C 11/18; A45C 11/182

See application file for complete search history.

**DESCRIPTION**

FIG. 1 shows a rear perspective view of a luggage handle, the luggage handle shown on a luggage case;

FIG. 2 shows a front elevation view of a luggage handle of FIG. 1;

FIG. 3 shows a rear elevation view of a luggage handle of FIG. 1;

FIG. 4 shows a left elevation view of a luggage handle of FIG. 1;

FIG. 5 shows a right elevation view of a luggage handle of FIG. 1;

FIG. 6 shows a top view of a luggage handle of FIG. 1; and,

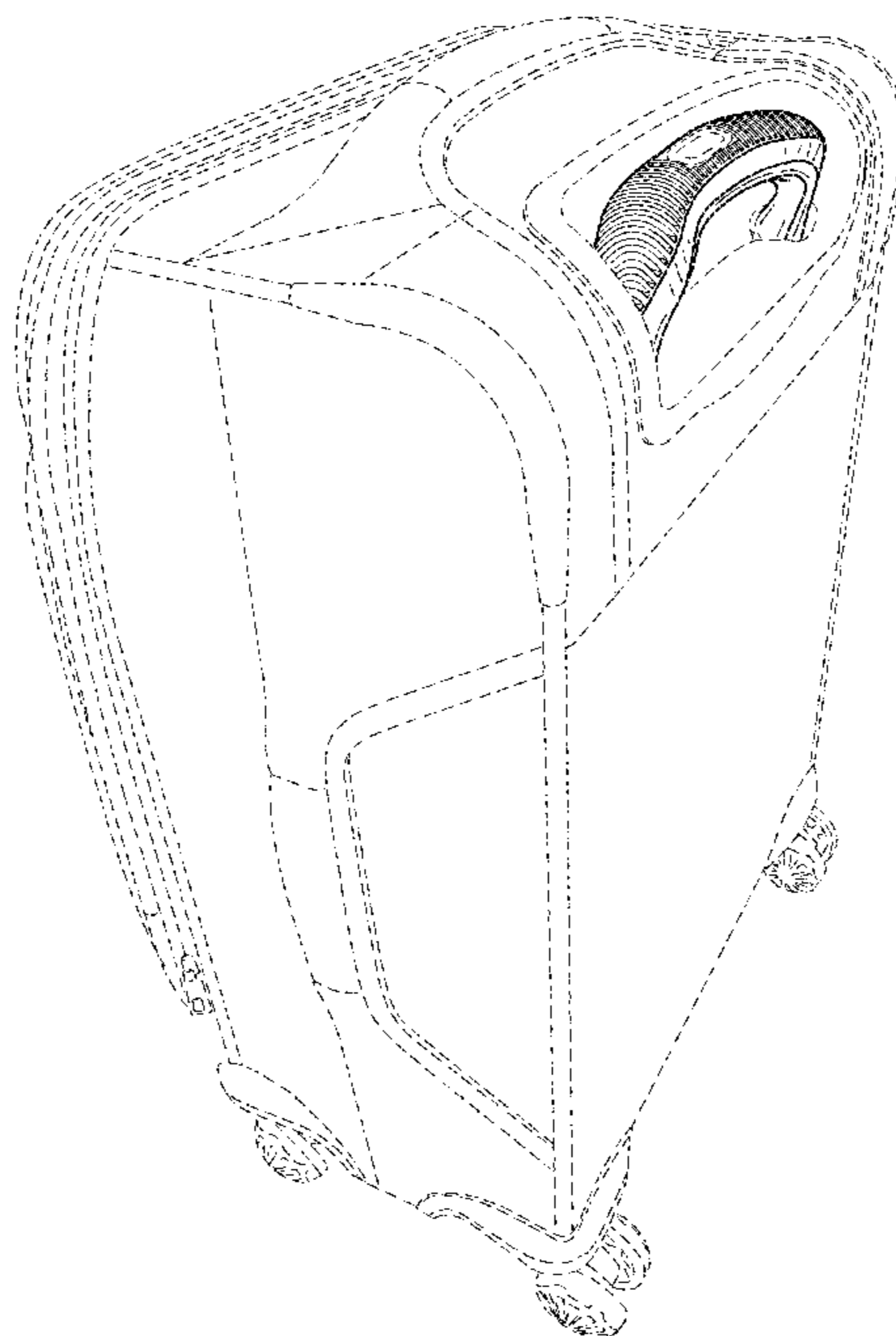
FIG. 7 shows a bottom view of a luggage handle of FIG. 1. The broken lines in FIGS. 1-7 illustrate the environment of a luggage handle and form no part of the claimed invention.

(56) **References Cited**

U.S. PATENT DOCUMENTS

D457,320 S	5/2002	Beedham	
D634,544 S *	3/2011	Scicluna	D3/318
D666,004 S *	8/2012	Santy	D3/318
D678,678 S *	3/2013	Santy	D3/318
D751,293 S *	3/2016	Recchia	D3/318
D751,819 S *	3/2016	Vecellio	D3/318
D751,820 S *	3/2016	Recchia	D3/318
D755,523 S *	5/2016	Szyf	D3/318

**1 Claim, 7 Drawing Sheets**



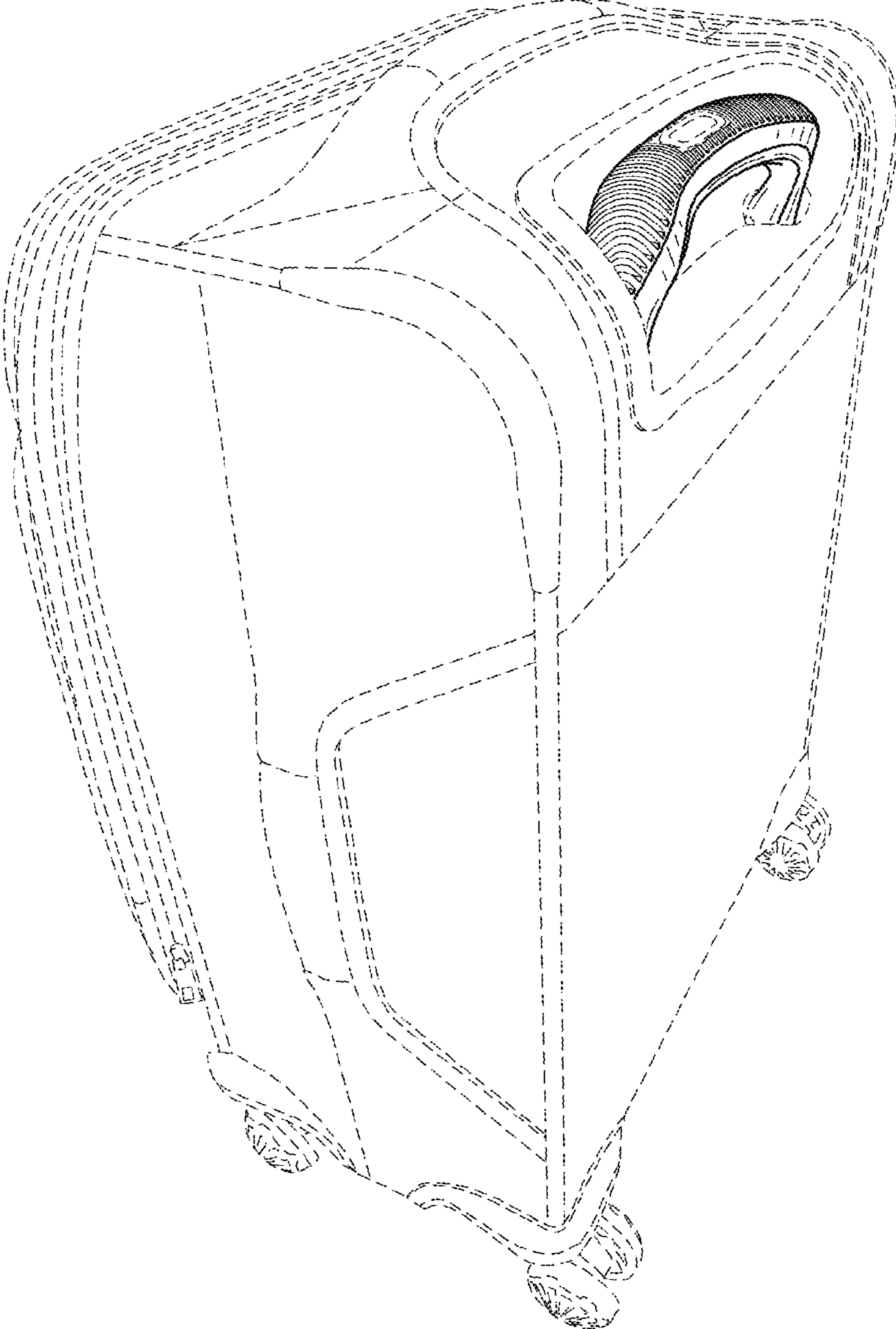


FIG. 1

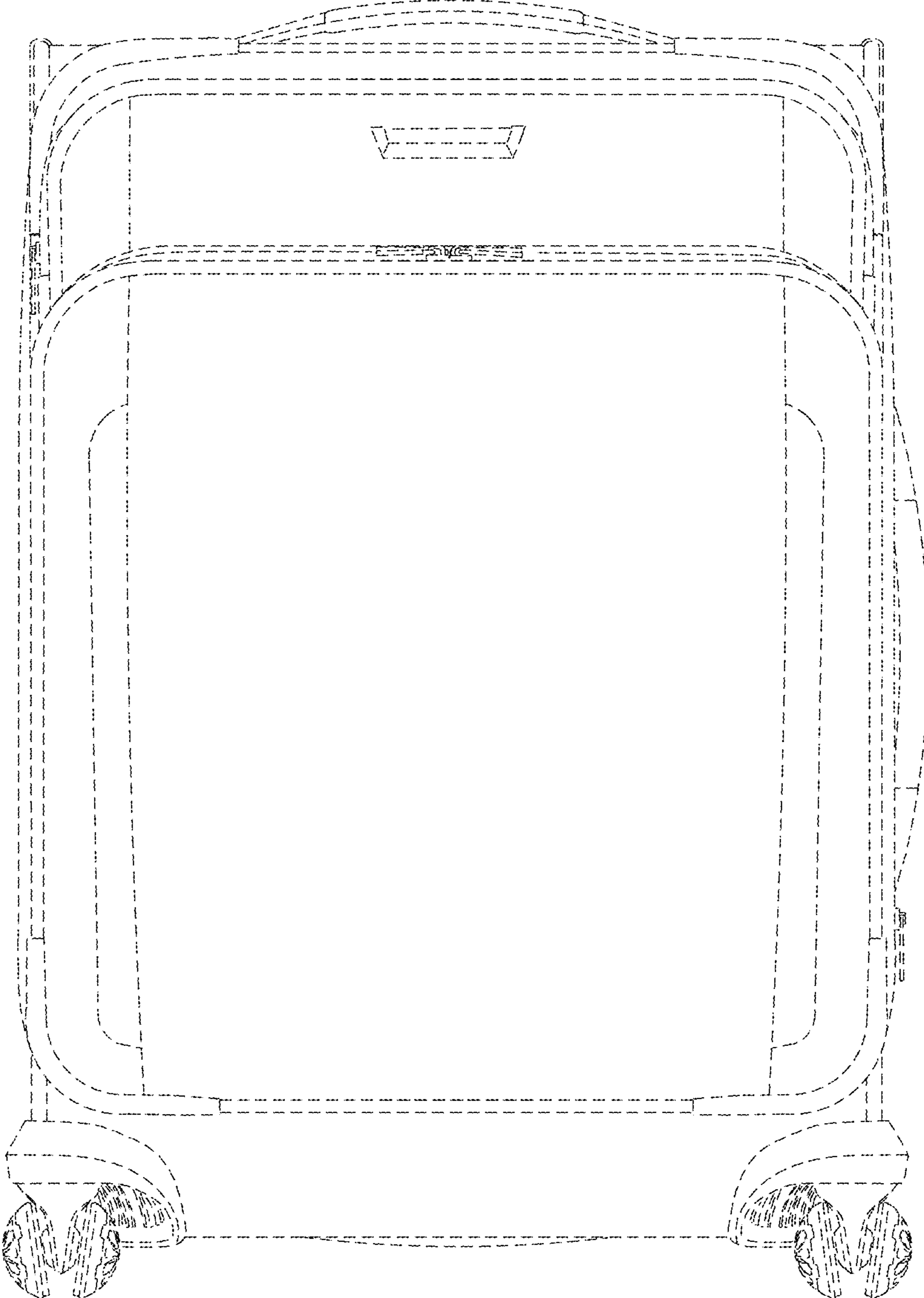


FIG. 2

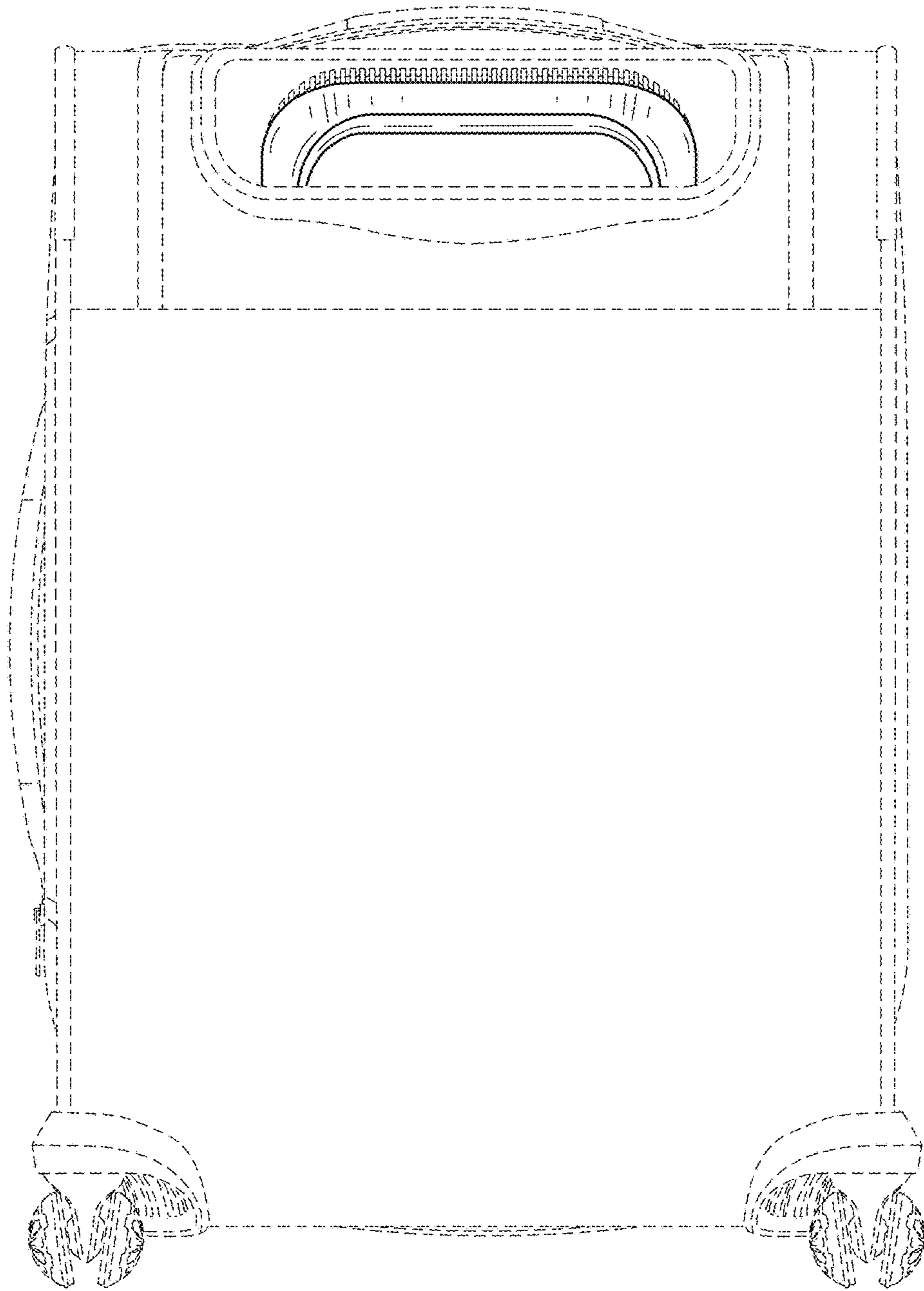


FIG. 3

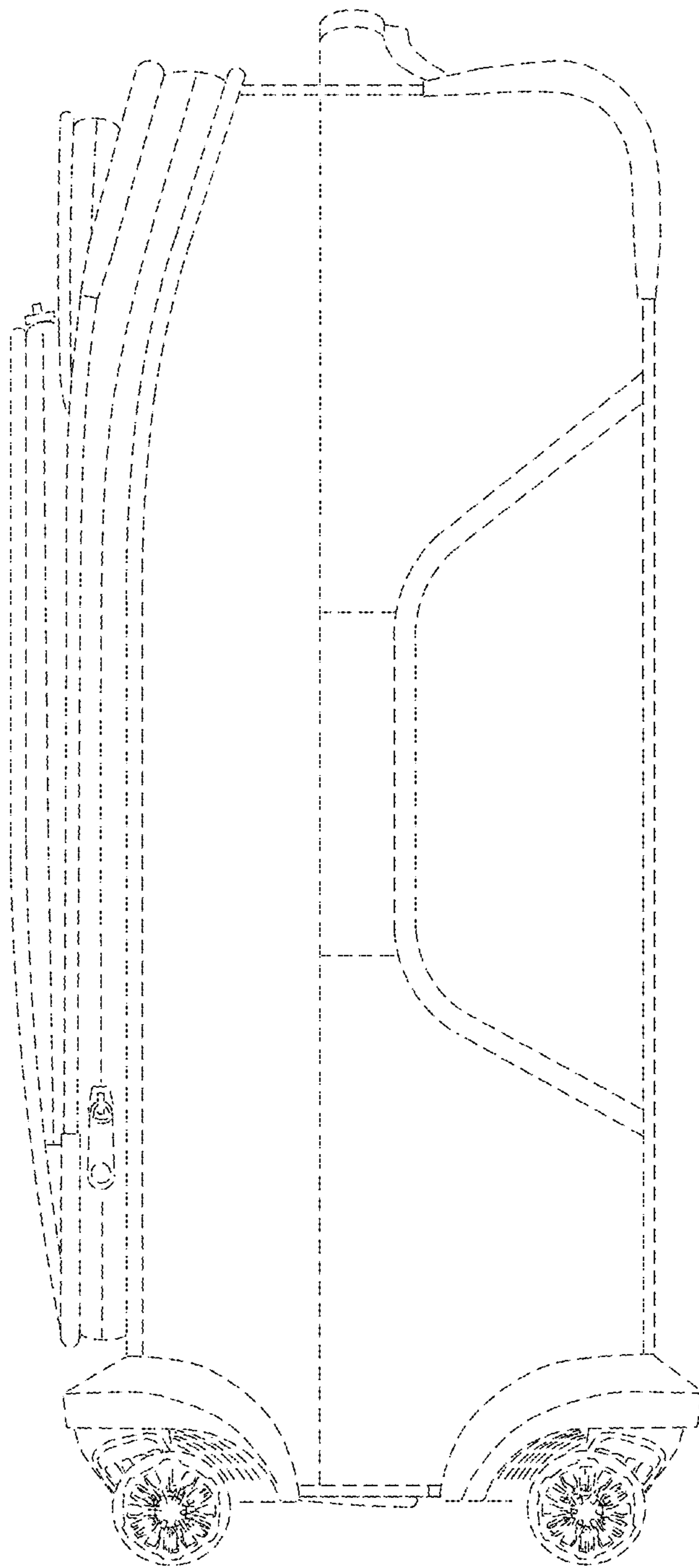


FIG. 4

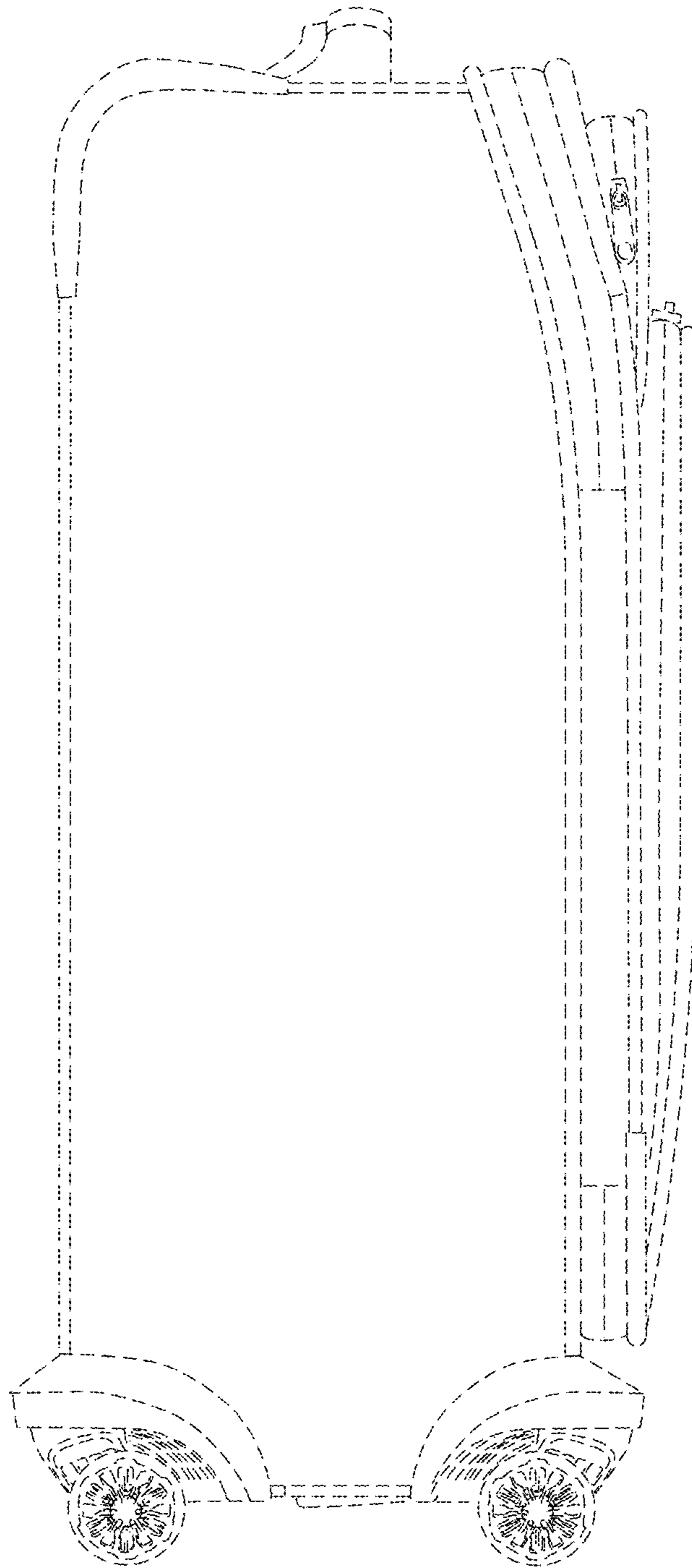


FIG. 5

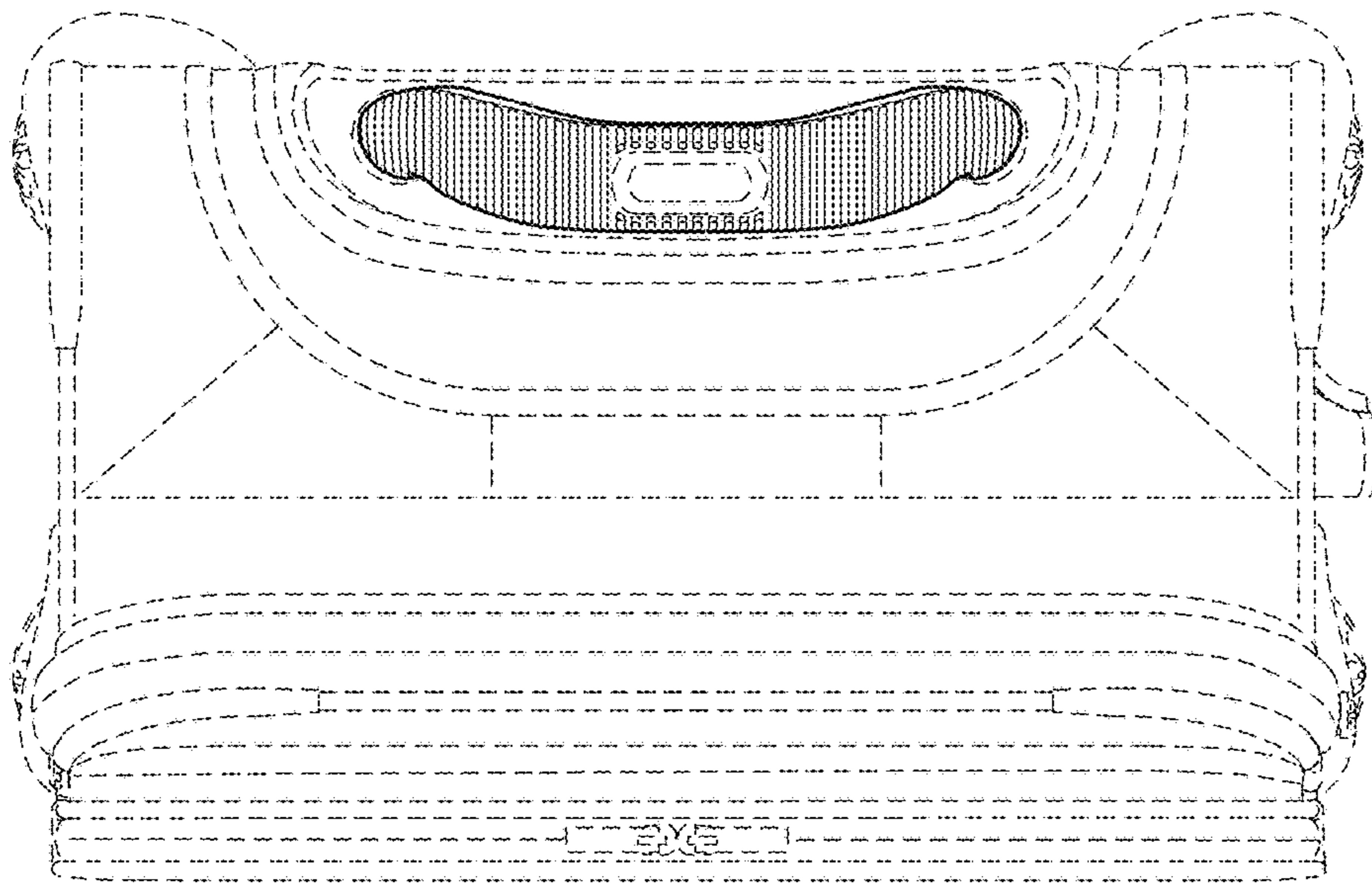


FIG. 6

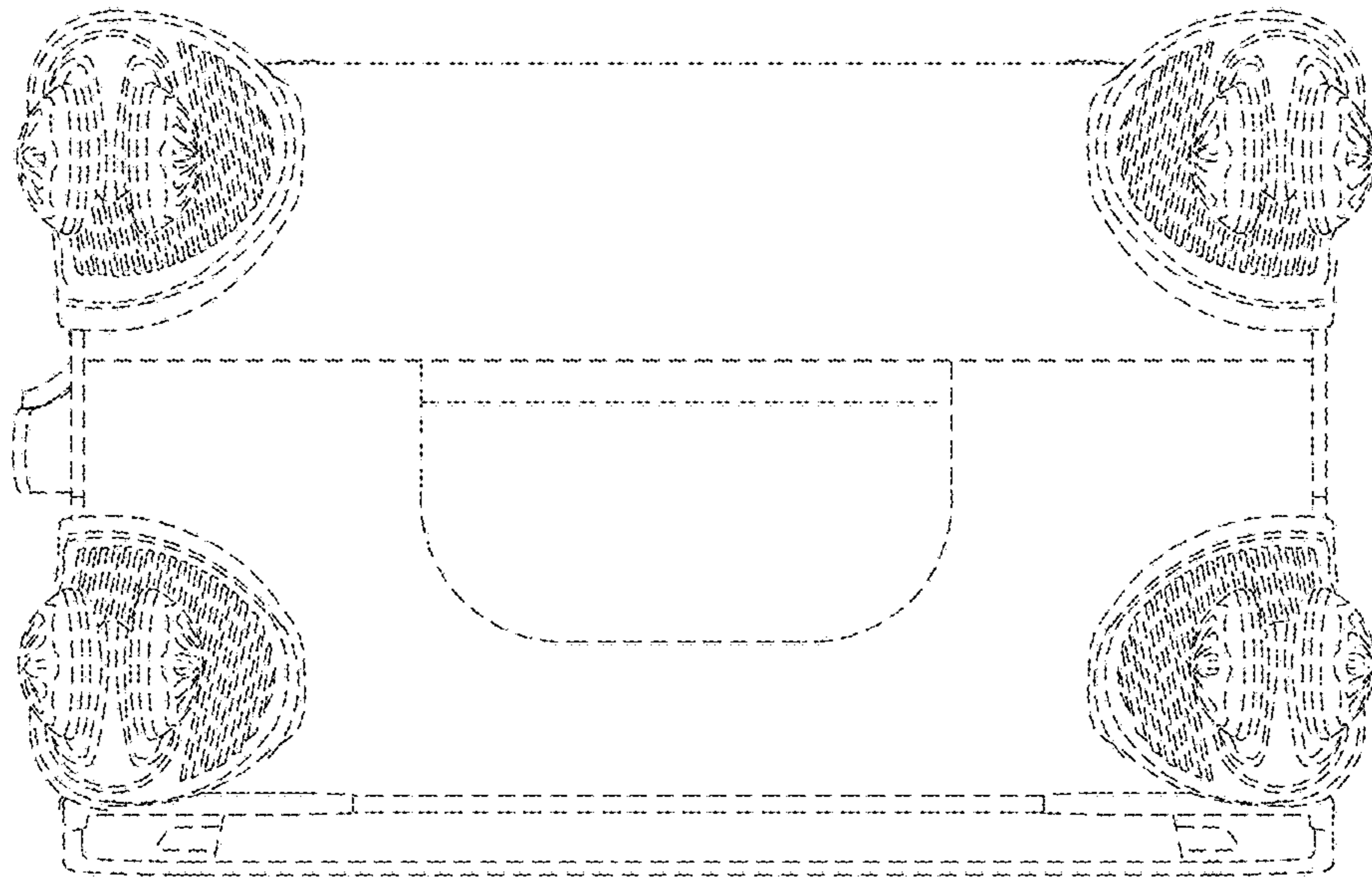


FIG. 7