



US00D828691S

(12) **United States Design Patent**
Shalgi

(10) **Patent No.:** **US D828,691 S**
(45) **Date of Patent:** **** Sep. 18, 2018**

- (54) **WHEELED LUGGAGE CASE**
- (71) Applicant: **TRAVEL LIGHT LTD**, Tel Aviv (IL)
- (72) Inventor: **Netta Shalgi**, Tel Aviv (IL)
- (73) Assignee: **TRAVEL LIGHT LTD**, Tel Aviv (IL)
- (**) Term: **15 Years**
- (21) Appl. No.: **29/580,836**
- (22) Filed: **Oct. 13, 2016**
- (51) **LOC (11) Cl.** **03-01**
- (52) **U.S. Cl.**
USPC **D3/318**
- (58) **Field of Classification Search**
USPC D3/273, 285, 289, 294, 318
CPC A45F 4/02; A45F 3/04
See application file for complete search history.

(56) **References Cited**
U.S. PATENT DOCUMENTS

D554,369 S	*	11/2007	Katz	D3/279
D554,862 S	*	11/2007	Hsieh	D3/279
D601,342 S	*	10/2009	Choi	D3/279
D695,011 S	*	12/2013	Morszeck	D3/247
D695,012 S	*	12/2013	Morszeck	D3/247

* cited by examiner

Primary Examiner — Holly H Baynham
(74) *Attorney, Agent, or Firm* — RMCK Law Group, PLC

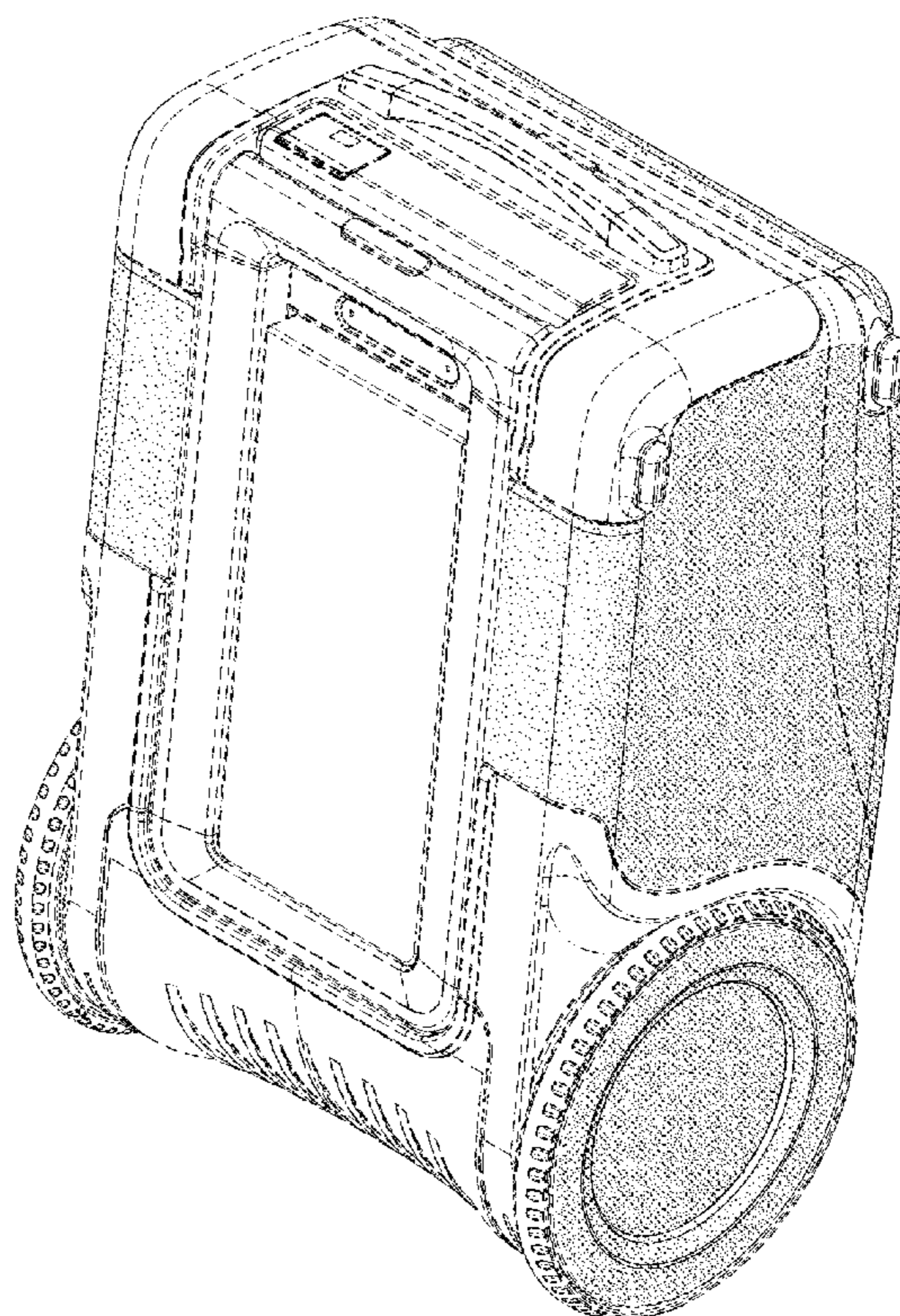
(57) **CLAIM**

The ornamental design for a wheeled luggage case, as shown and described.

DESCRIPTION

FIG. 1 is a back perspective view of a wheeled luggage case in accordance with the present teachings.
 FIG. 2 is a front perspective view of the wheeled luggage case of FIG. 1.
 FIG. 3 is a back view of the wheeled luggage case of FIG. 1.
 FIG. 4 is a front view of the wheeled luggage case of FIG. 1.
 FIG. 5 is a first side view of the wheeled luggage case of FIG. 1.
 FIG. 6 is a second side view of the wheeled luggage case of FIG. 1.
 FIG. 7 is a top view of the wheeled luggage case of FIG. 1; and,
 FIG. 8 is a bottom view of the wheeled luggage case of FIG. 1.
 The broken lines showing portions of the luggage are for the purposes of illustrating environment and form no part of the claimed design.

1 Claim, 6 Drawing Sheets



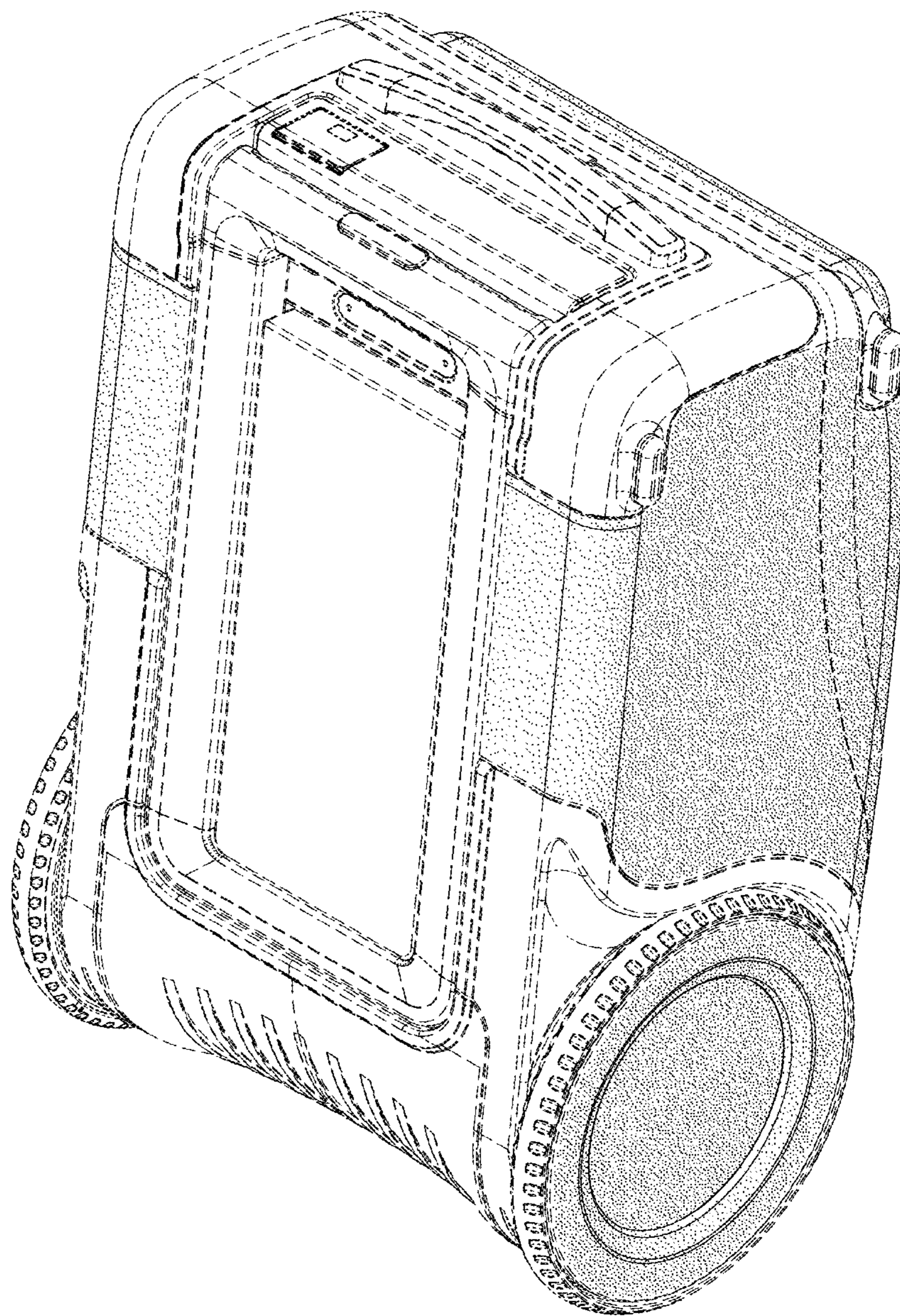


FIG. 1

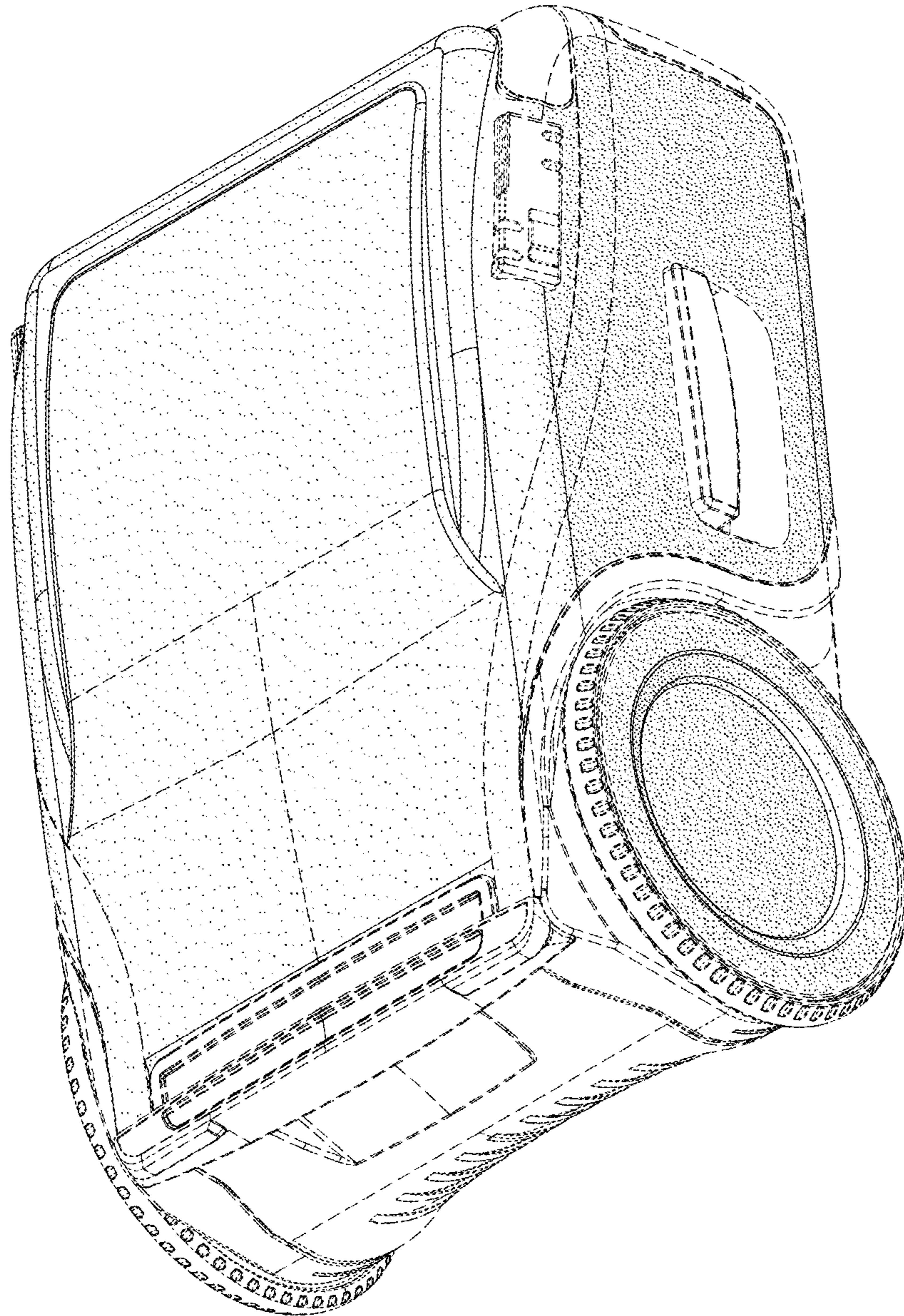


FIG. 2

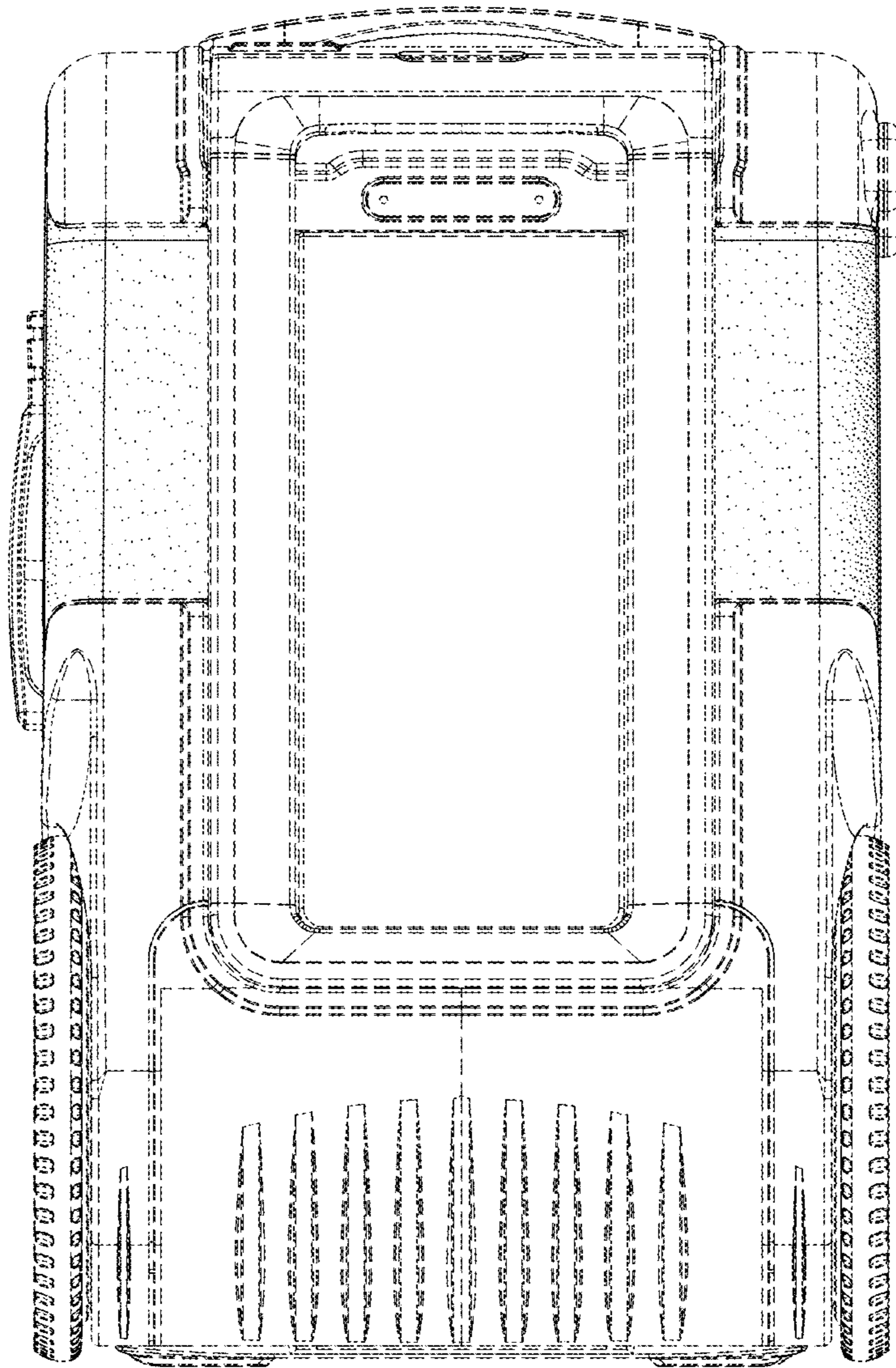


FIG. 3

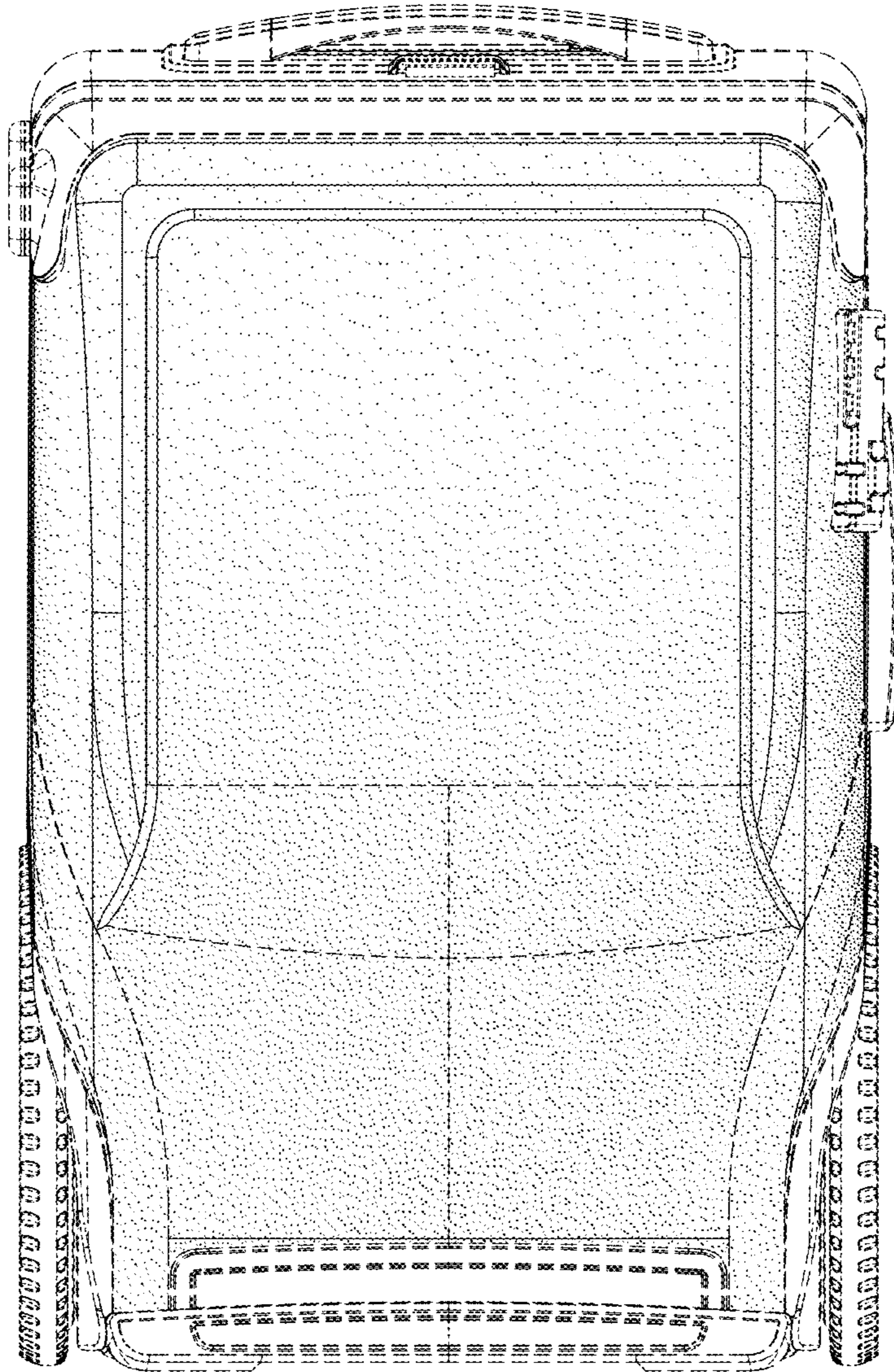


FIG. 4

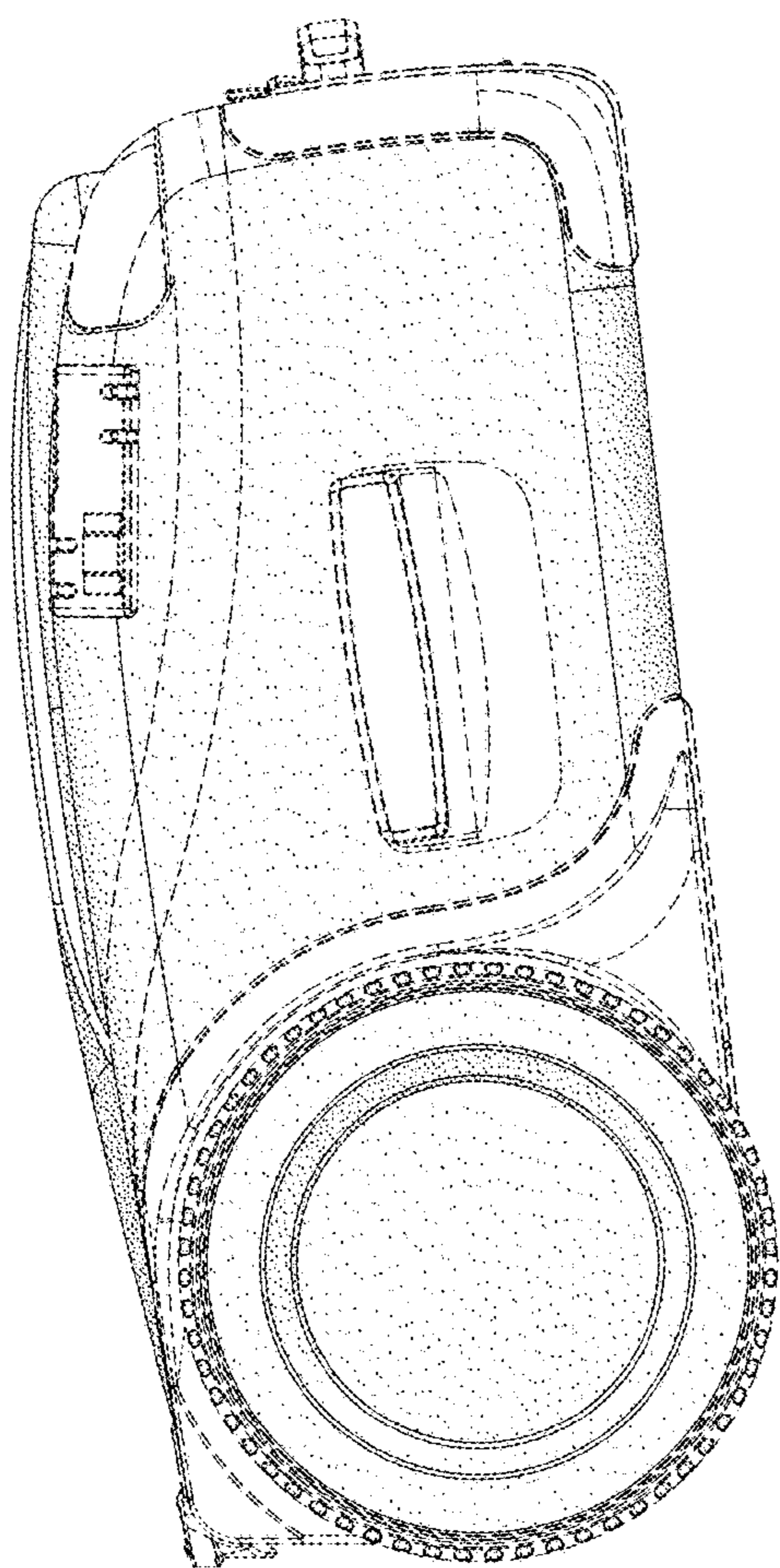


FIG. 5

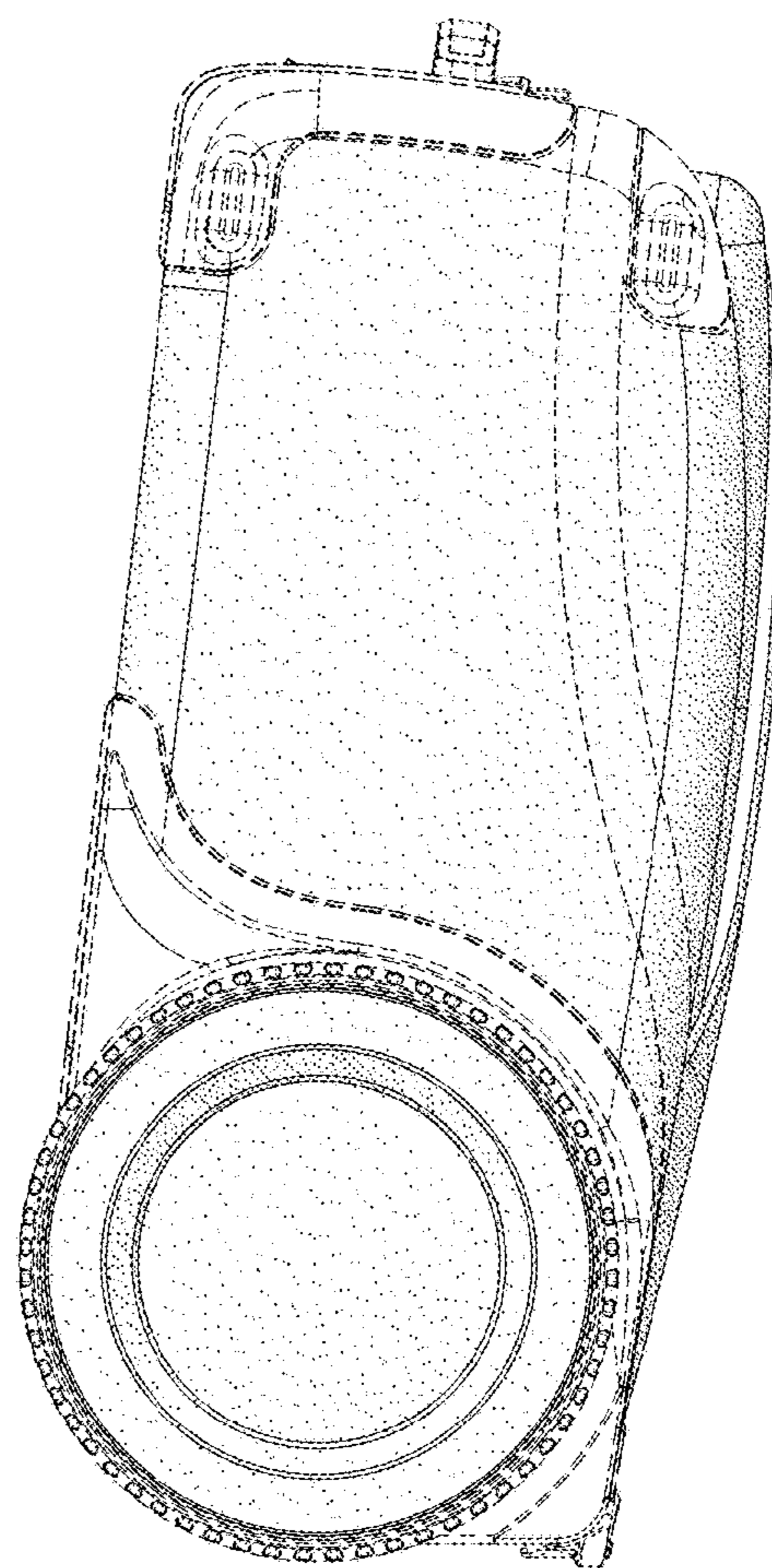


FIG. 6

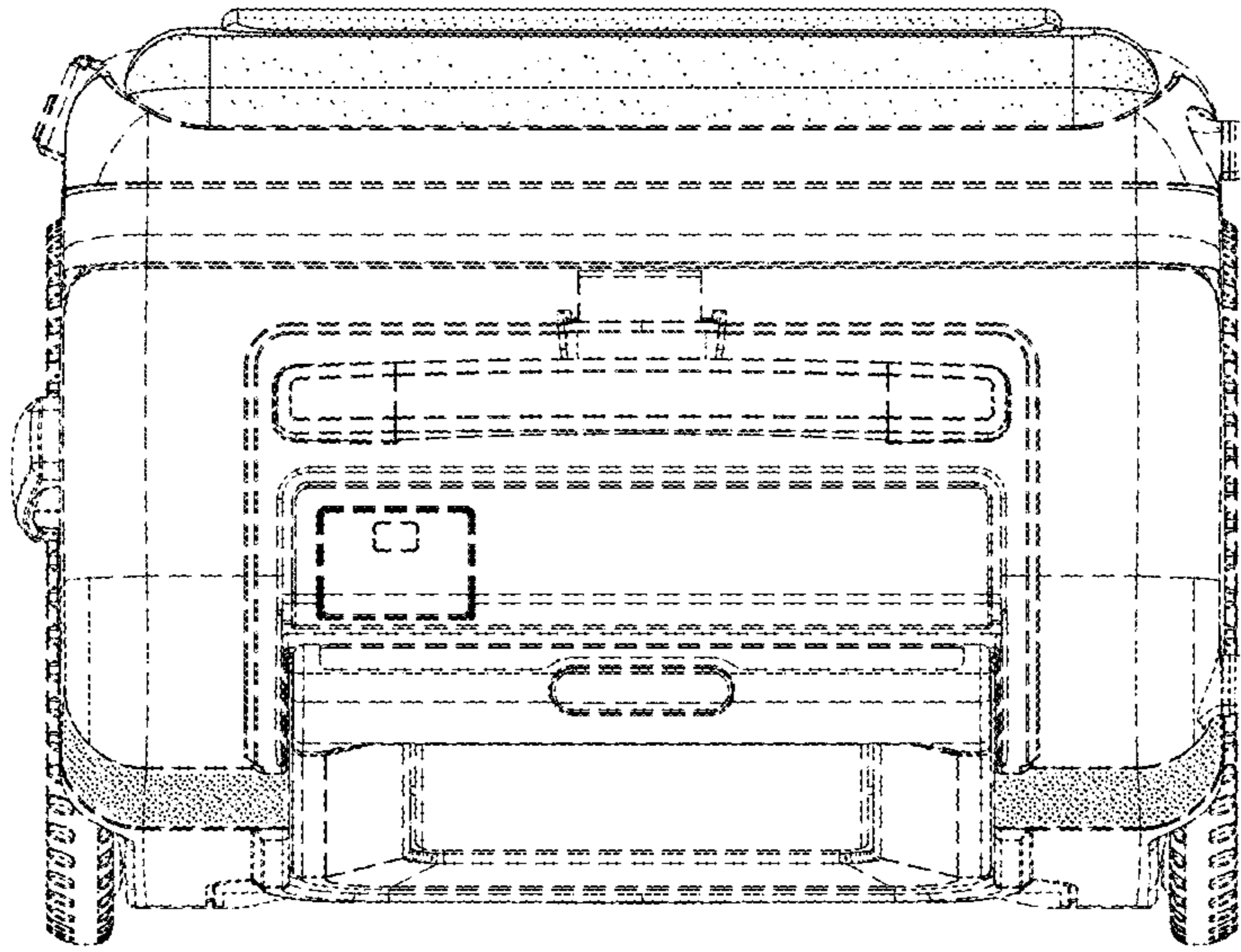


FIG. 7

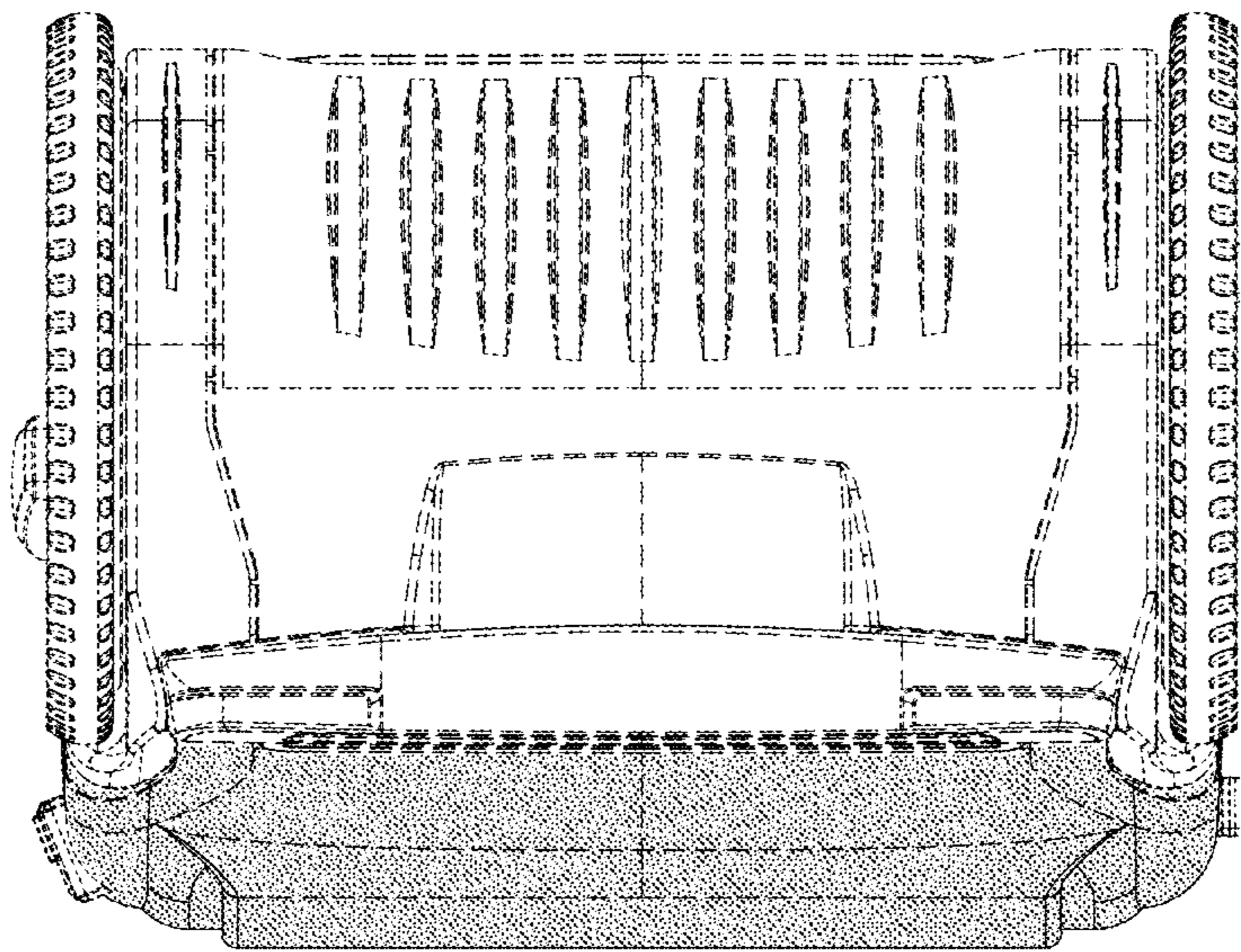


FIG. 8