



US00D828688S

(12) **United States Design Patent**
Hogard et al.

(10) **Patent No.:** **US D828,688 S**
(45) **Date of Patent:** **** Sep. 18, 2018**

(54) **CONCEALMENT STRAP**
(71) Applicants: **Dustin Wayne Hogard**, Madisonville, TX (US); **Nicholas Charles Blackman**, La Jolla, CA (US)
(72) Inventors: **Dustin Wayne Hogard**, Madisonville, TX (US); **Nicholas Charles Blackman**, La Jolla, CA (US)

(**) Term: **15 Years**

(21) Appl. No.: **29/612,177**

(22) Filed: **Jul. 28, 2017**

(51) **LOC (11) Cl.** **03-01**

(52) **U.S. Cl.**
USPC **D3/226; D2/627**

(58) **Field of Classification Search**
USPC D3/224, 226; 224/234, 219, 222, 269, 224/267, 245, 676, 660, 662, 664-665, 224/682, 684, 585, 587, 669; 383/4; 150/101-102, 116, 132-133; D2/627-631
CPC . A41F 9/002; A45F 5/00; A44C 5/003; A45C 1/04
See application file for complete search history.

(56) **References Cited**

U.S. PATENT DOCUMENTS

2,298,600	A *	10/1942	Stember	A41F 9/002
					150/102
2,351,158	A *	6/1944	Stelzer	A41F 9/002
					150/102
3,670,933	A *	6/1972	Jones	A44C 5/003
					224/222
4,341,331	A *	7/1982	McDougall	A45C 1/04
					224/219

5,551,496	A *	9/1996	Gray, Jr.	A45C 1/04
					150/102
D692,655	S *	11/2013	Perrea	D3/226
D731,786	S *	6/2015	Chen	D3/226
D740,549	S *	10/2015	Nejjar	D3/226
D773,807	S *	12/2016	Do	D3/226
D794,949	S *	8/2017	Zimmer	D2/627
D808,153	S *	1/2018	Denny	D3/226

* cited by examiner

Primary Examiner — Catherine R Oliver-Garcia
(74) *Attorney, Agent, or Firm* — Buche & Associates, P.C.; John K. Buche; Scott D. Compton

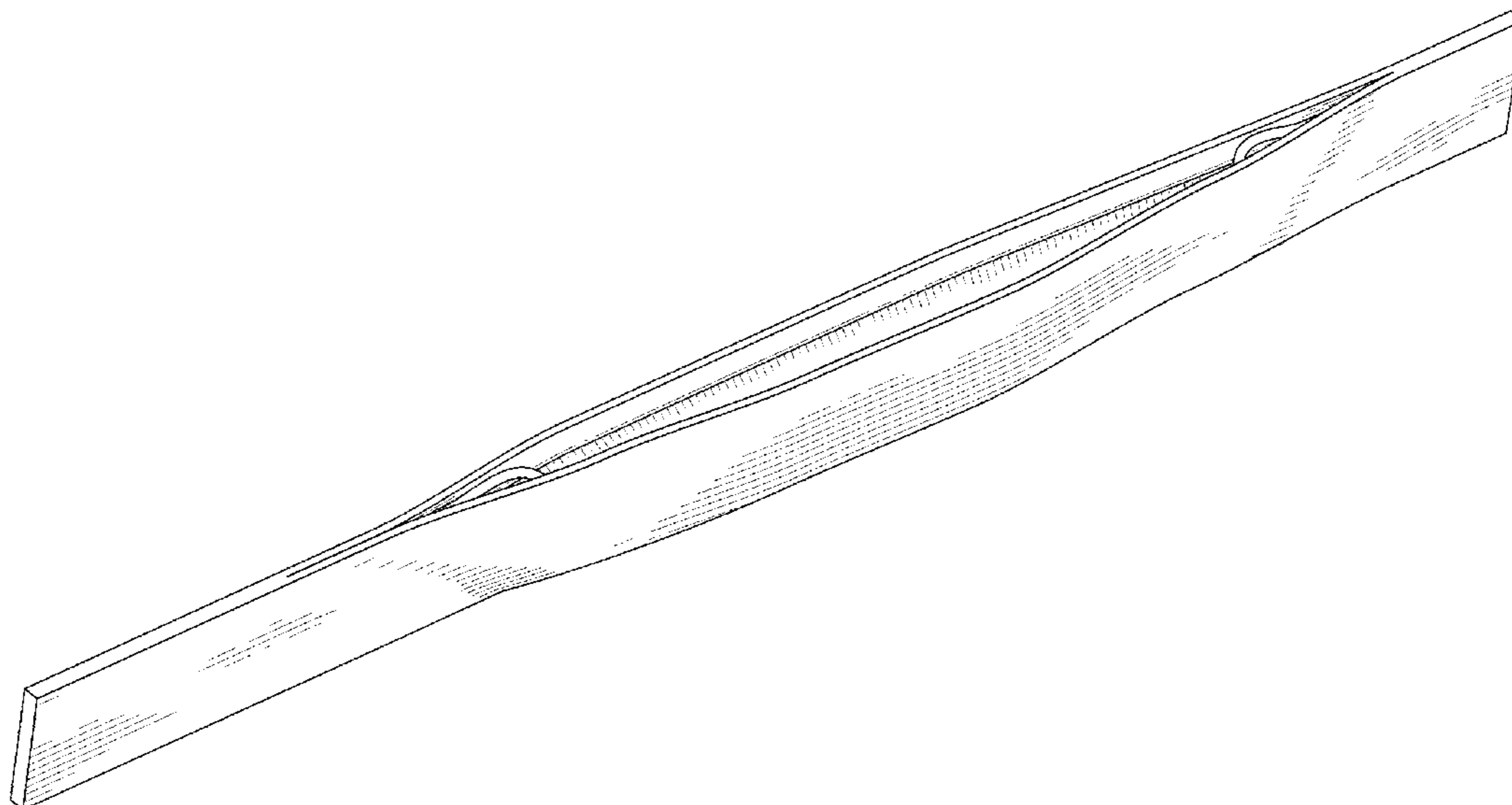
(57) **CLAIM**

The ornamental design for a concealment strap, as shown and described.

DESCRIPTION

FIG. 1 is a front, top perspective view of a concealment strap showing our new design;
FIG. 2 is a front view of the concealment strap;
FIG. 3 is a rear view of the concealment strap;
FIG. 4 is a left side view of the concealment strap;
FIG. 5 is a right side view of the concealment strap;
FIG. 6 is a top view of the concealment strap;
FIG. 7 is a bottom view of the concealment strap;
FIG. 8 is a top perspective view of the concealment strap;
FIG. 9 is a front, top perspective view of the concealment strap;
FIG. 10 is a horizontal cross sectional view of the concealment strap, show along line 10-10 of FIG. 9; and,
FIG. 11 is a longitudinal cross sectional view of the concealment strap, shown along line 11-11 of FIG. 9.
The broken lines are directed to environment and are for illustrative purposes only. The broken lines form no part of the claimed design.

1 Claim, 4 Drawing Sheets



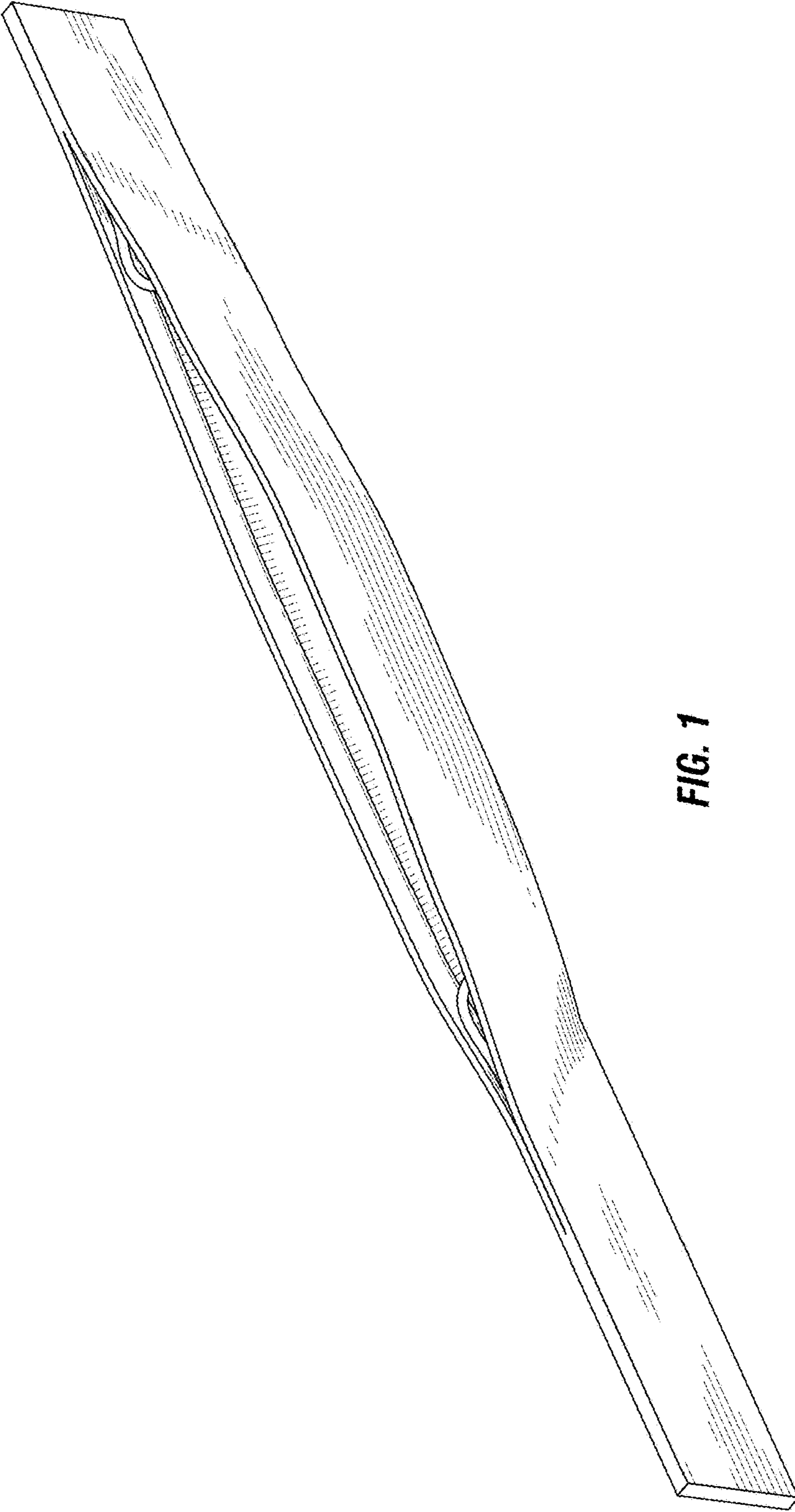


FIG. 1

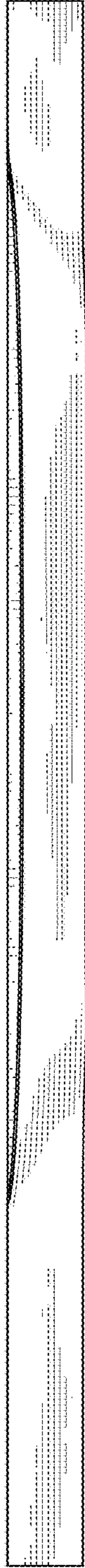


FIG. 2

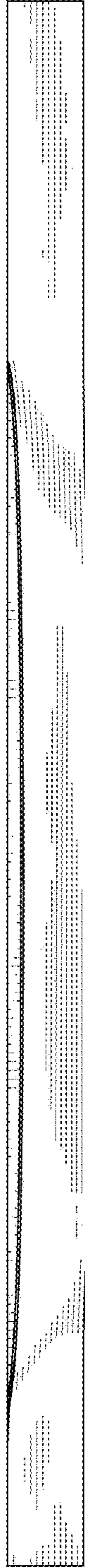


FIG. 3

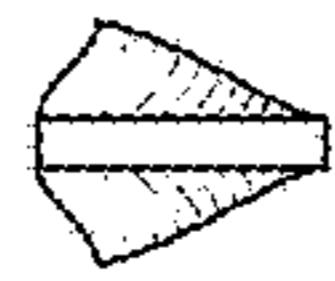


FIG. 4

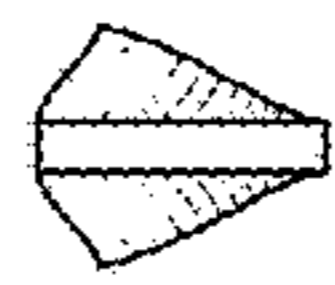


FIG. 5

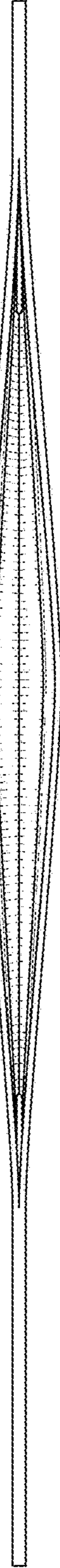


FIG. 6

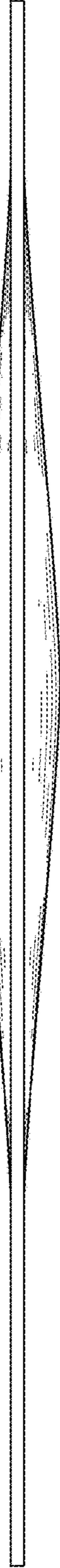


FIG. 7

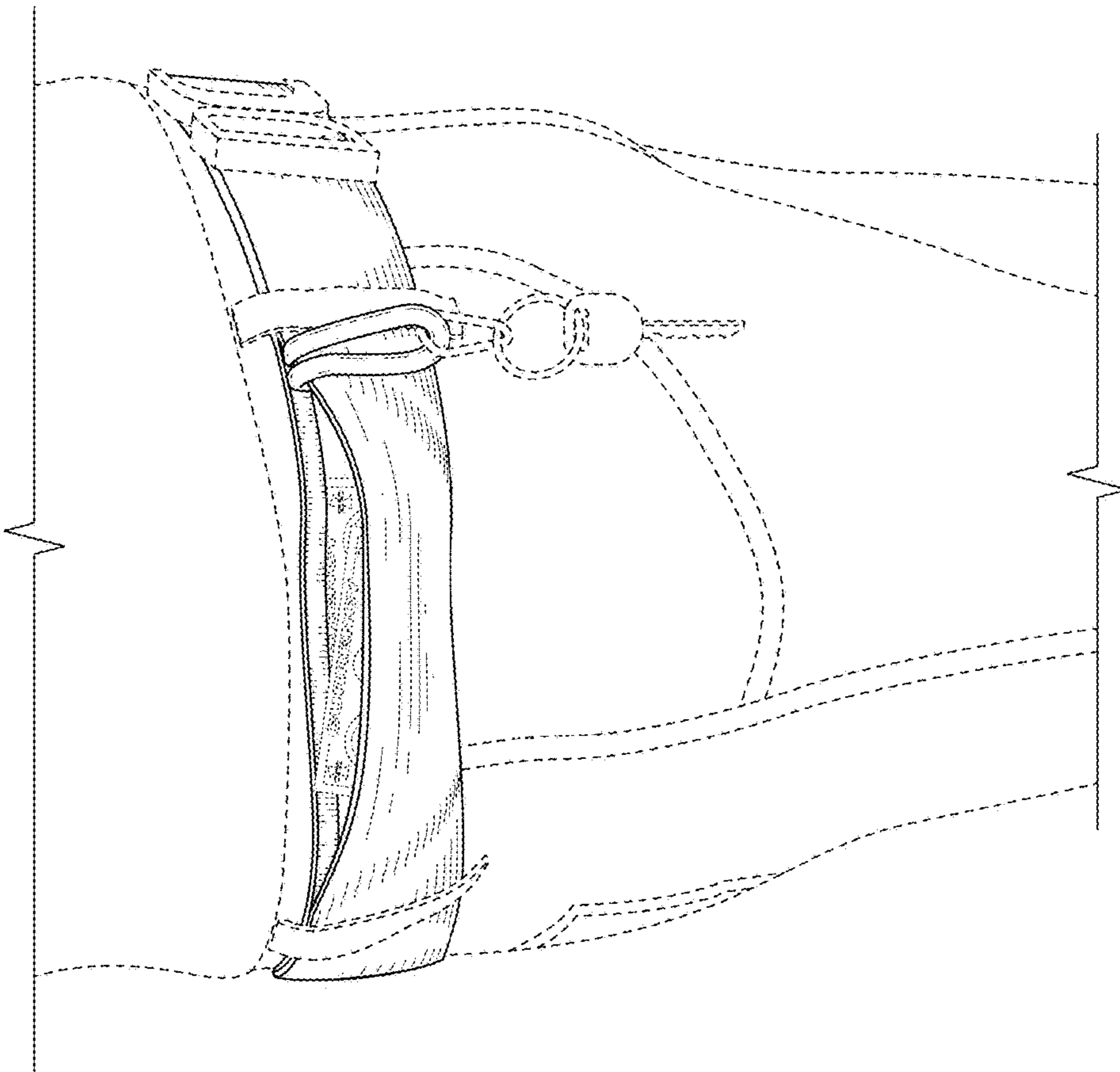


FIG. 8

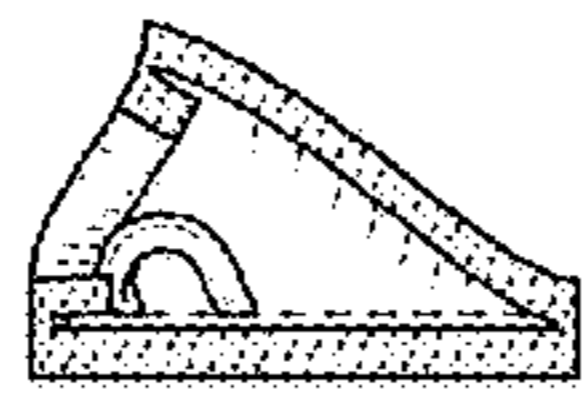
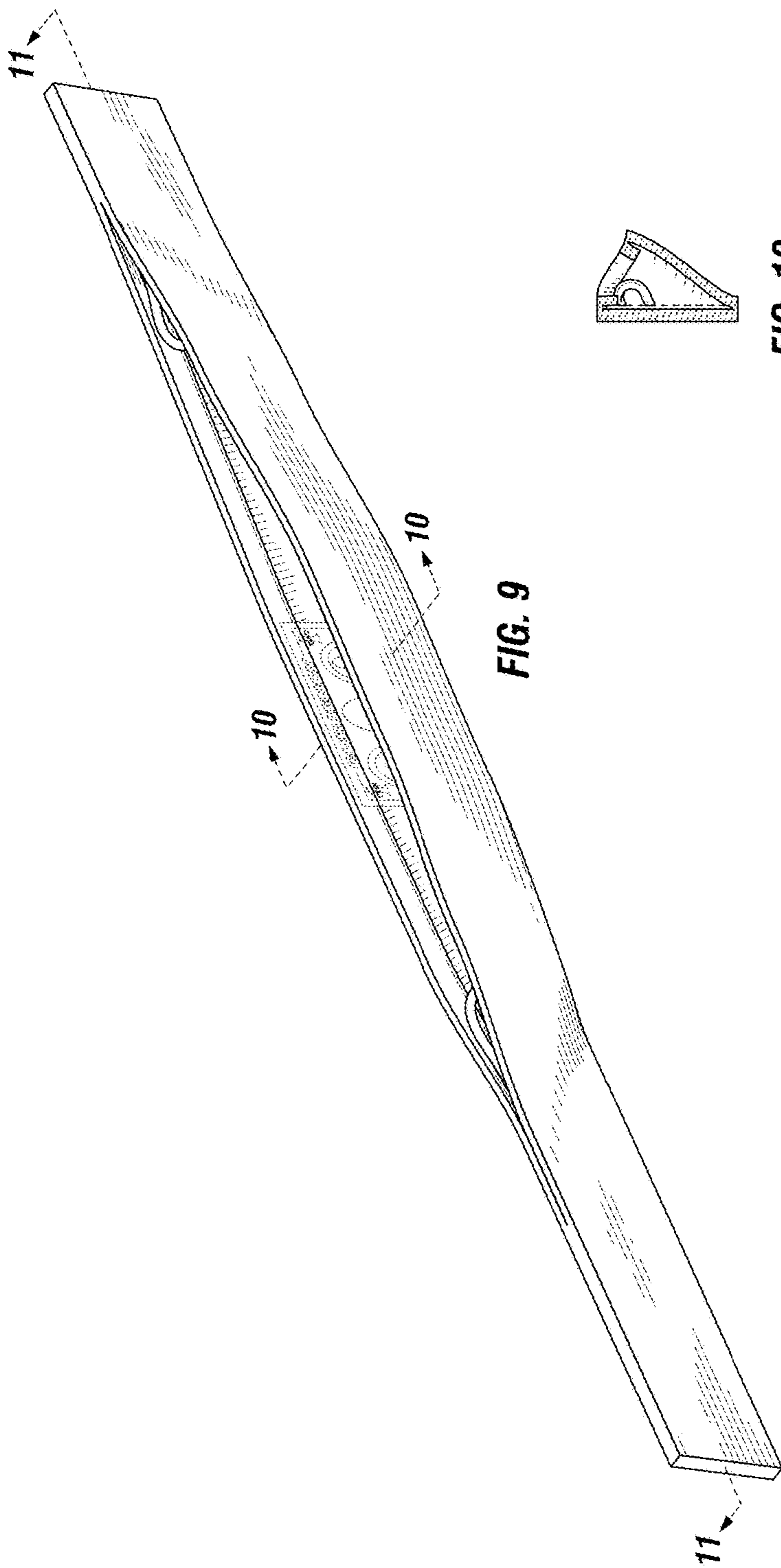


FIG. 10

