



US00D828687S

(12) **United States Design Patent**
Dempster

(10) **Patent No.:** **US D828,687 S**

(45) **Date of Patent:** **** Sep. 18, 2018**

- (54) **WEARABLE UMBRELLA**
- (71) Applicant: **Nolan Dempster**, Des Allemands, LA (US)
- (72) Inventor: **Nolan Dempster**, Des Allemands, LA (US)
- (**) Term: **15 Years**
- (21) Appl. No.: **29/623,062**
- (22) Filed: **Oct. 23, 2017**
- (51) **LOC (11) Cl.** **03-03**
- (52) **U.S. Cl.**
USPC **D3/5**
- (58) **Field of Classification Search**
USPC D3/5, 6, 10
CPC .. A45B 11/00; A45B 11/02; A45B 2023/0006
See application file for complete search history.

2,926,826 A *	3/1960	Conrad	A45B 11/02	224/189
3,021,985 A *	2/1962	Sarver	A45B 11/02	224/187
3,204,650 A *	9/1965	Shinew	A45B 11/02	135/16
3,802,451 A *	4/1974	Morris	A45B 19/02	135/20.2
4,188,965 A *	2/1980	Morman	A45B 11/02	135/15.1
D330,455 S *	10/1992	Massie	D29/101.1	
5,263,837 A *	11/1993	Dompe	A45B 11/02	224/190
D345,856 S *	4/1994	Johnson	D3/10	
5,353,977 A *	10/1994	Schiro, Jr.	A45B 11/02	135/16

(Continued)

Primary Examiner — John Windmuller
Assistant Examiner — Steven J Czyz
 (74) *Attorney, Agent, or Firm* — Ash Tankha; Lipton, Weinberger & Husick

(56) **References Cited**

U.S. PATENT DOCUMENTS

173,100 A *	2/1876	Lynch et al.	A45B 9/00	135/65
877,802 A *	1/1908	Shuster et al.	A45B 11/02	224/188
881,720 A *	3/1908	Ridout et al.	A45B 11/02	224/189
904,085 A *	11/1908	Ridout et al.	A45B 11/02	224/189
1,041,577 A *	10/1912	Bekkevar et al.	A45B 11/02	224/190
1,205,917 A *	11/1916	Merrill et al.	A45B 11/02	224/190
1,347,540 A *	7/1920	Godard	A45B 11/02	224/190
1,704,407 A *	3/1929	Rice	A45B 11/02	135/16
2,610,778 A *	9/1952	Young	A45B 11/02	224/188

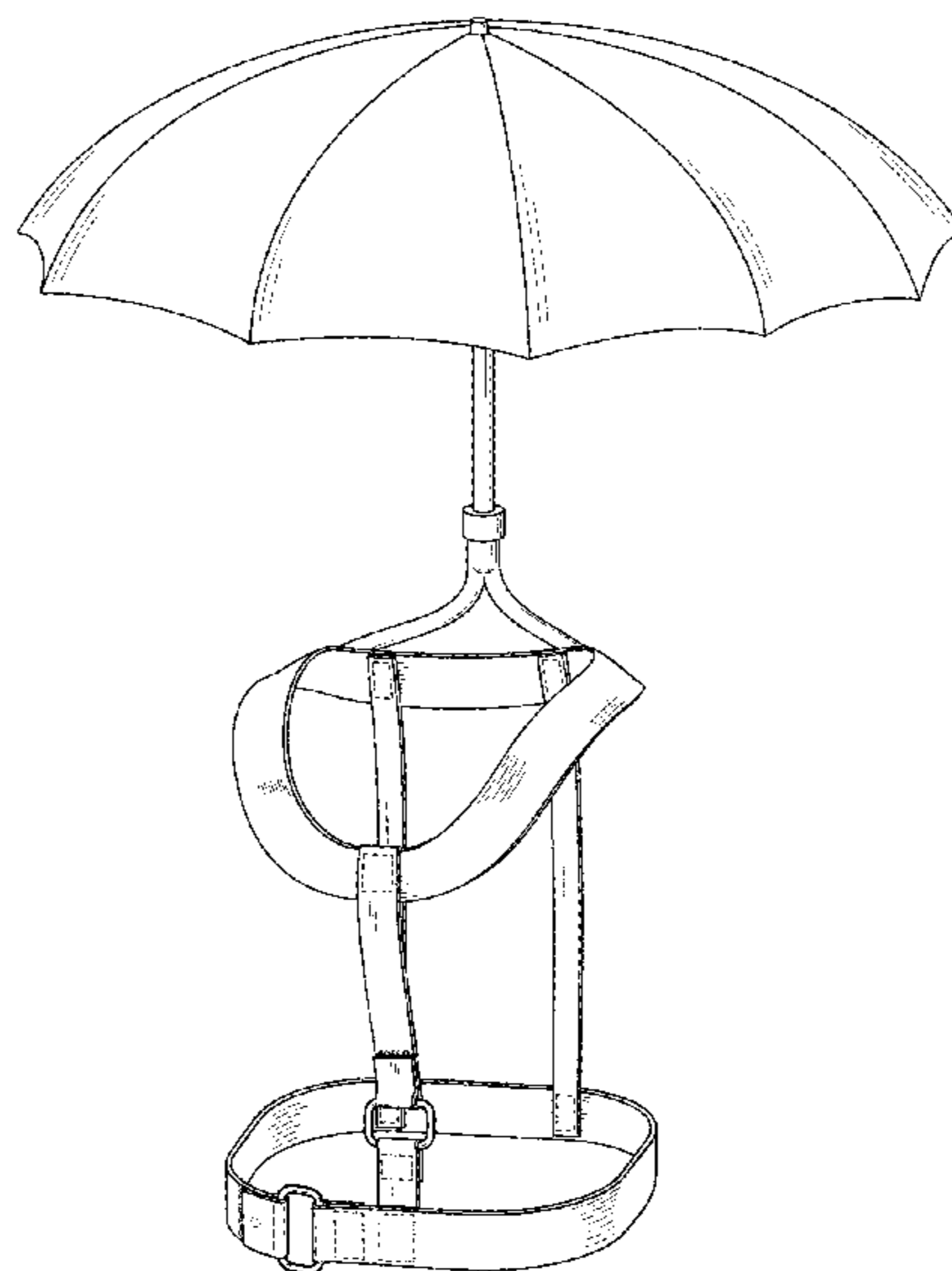
(57) **CLAIM**

The ornamental design for a wearable umbrella, as shown and described.

DESCRIPTION

FIG. 1 is a front perspective view of an ornamental design for a wearable umbrella;
 FIG. 2 is a front elevation view thereof;
 FIG. 3 is a rear elevation view thereof;
 FIG. 4 is a right side elevation view thereof;
 FIG. 5 is a left side elevation view thereof;
 FIG. 6 is a top plan view thereof;
 FIG. 7 is a bottom view thereof; and,
 FIG. 8 is a front perspective view thereof, showing the wearable umbrella worn by a user.
 The broken lines depict portions of the article and environment that form no part of the claimed design.

1 Claim, 8 Drawing Sheets



(56)

References Cited

U.S. PATENT DOCUMENTS

D361,654	S *	8/1995	Petracco	D29/101.1
5,620,119	A *	4/1997	Keller	A45B 11/02 135/20.1
6,024,464	A *	2/2000	De Vera	A45B 3/04 224/190
6,619,521	B2 *	9/2003	Hadley	A45B 11/02 135/16
6,926,018	B1 *	8/2005	Ryo	A45B 11/02 135/15.1
D589,697	S *	4/2009	Green	D3/5
7,641,085	B2 *	1/2010	Nickels	A45B 11/02 224/188
D653,846	S *	2/2012	Goebel	D3/12
8,132,582	B2 *	3/2012	Goebel	A45B 11/02 135/16
D662,312	S *	6/2012	Kutz	D3/5
8,733,378	B2 *	5/2014	Tayebi	A45B 11/02 135/16
D721,885	S *	2/2015	Ranginwala	D3/16
D791,467	S *	7/2017	Neuman	D3/5
9,907,370	B2 *	3/2018	Huddleston	A45B 11/04
9,924,768	B1 *	3/2018	Rosenberger	H05K 999/99
9,993,052	B2 *	6/2018	Williams	A45B 11/02

* cited by examiner

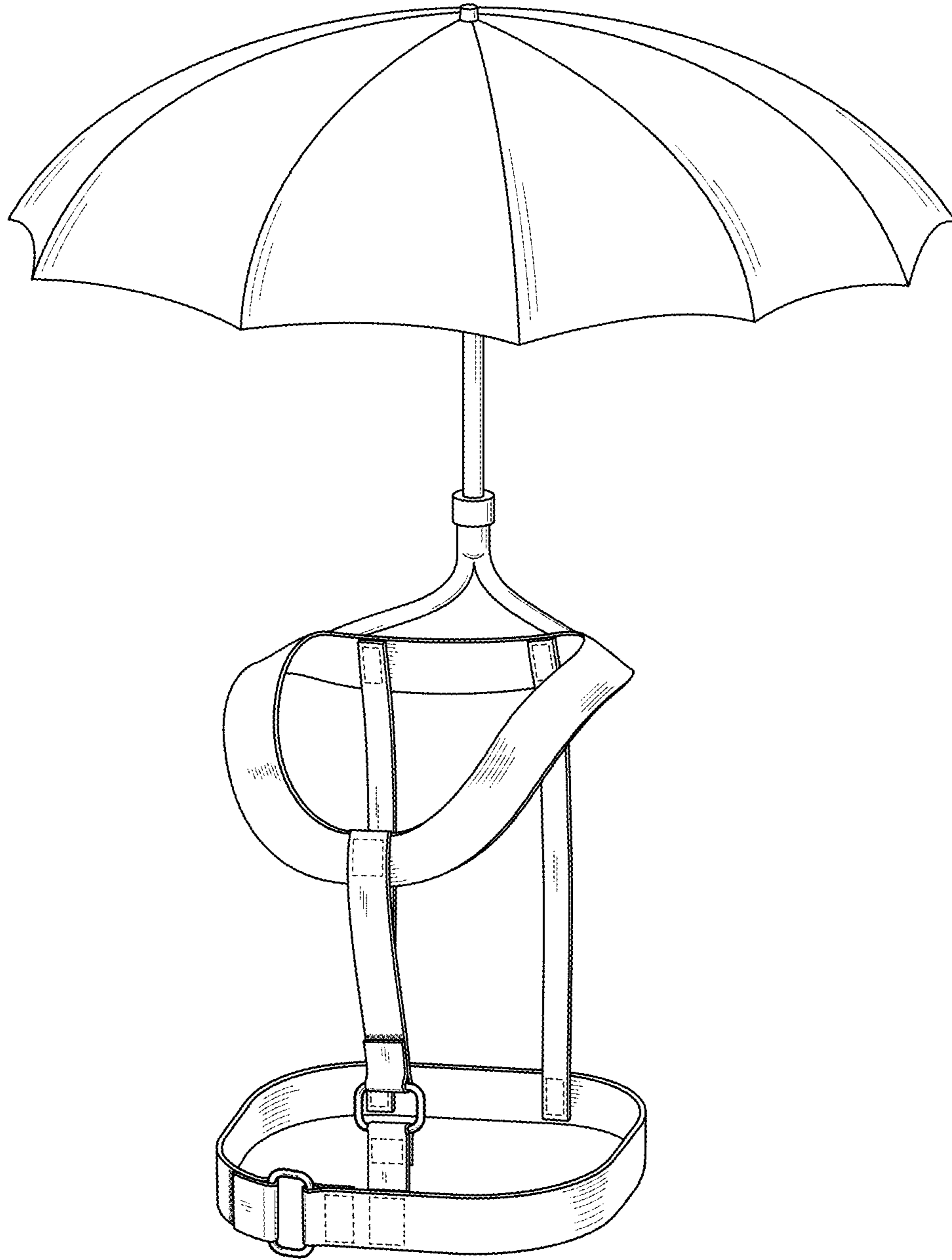


FIG. 1

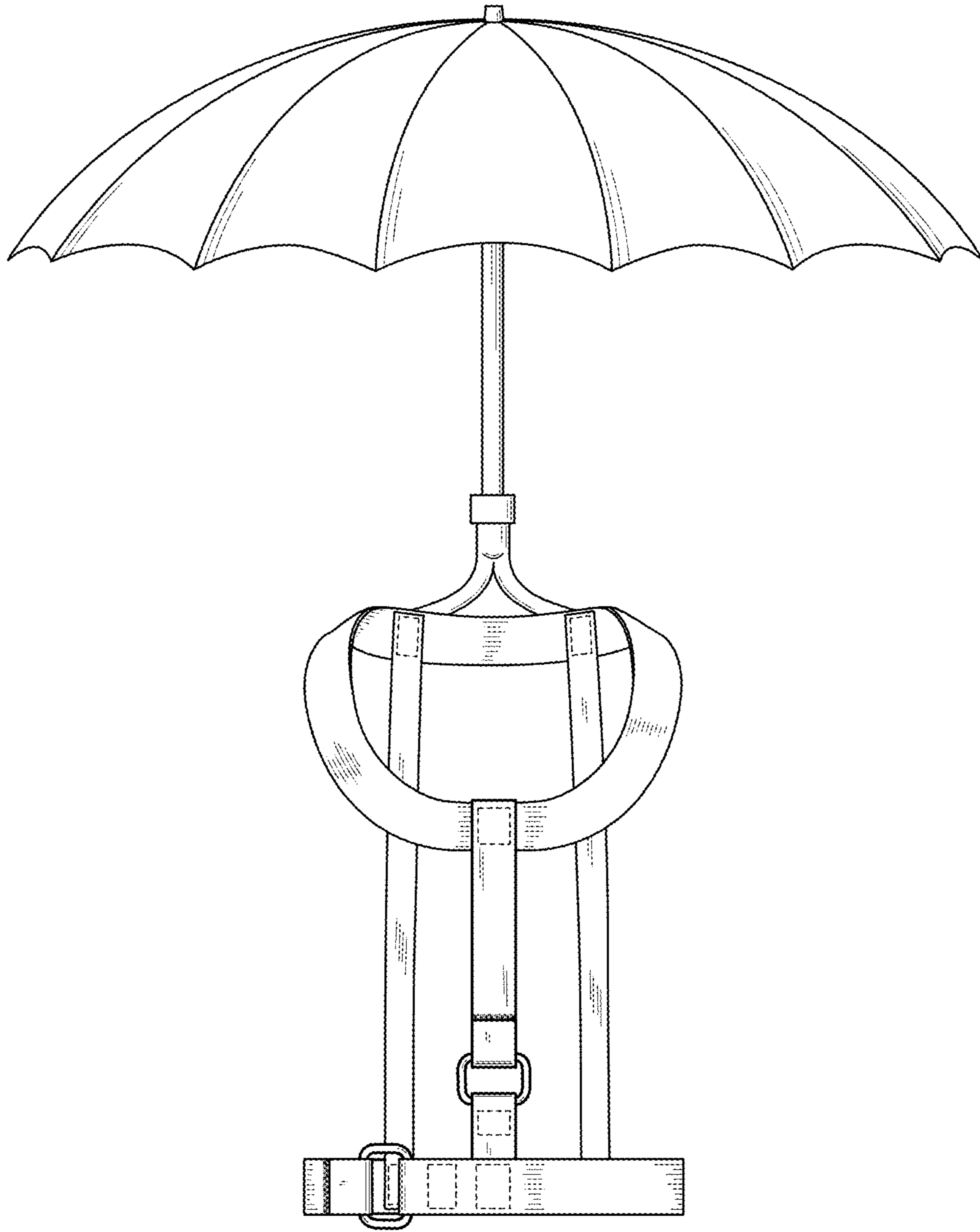


FIG. 2

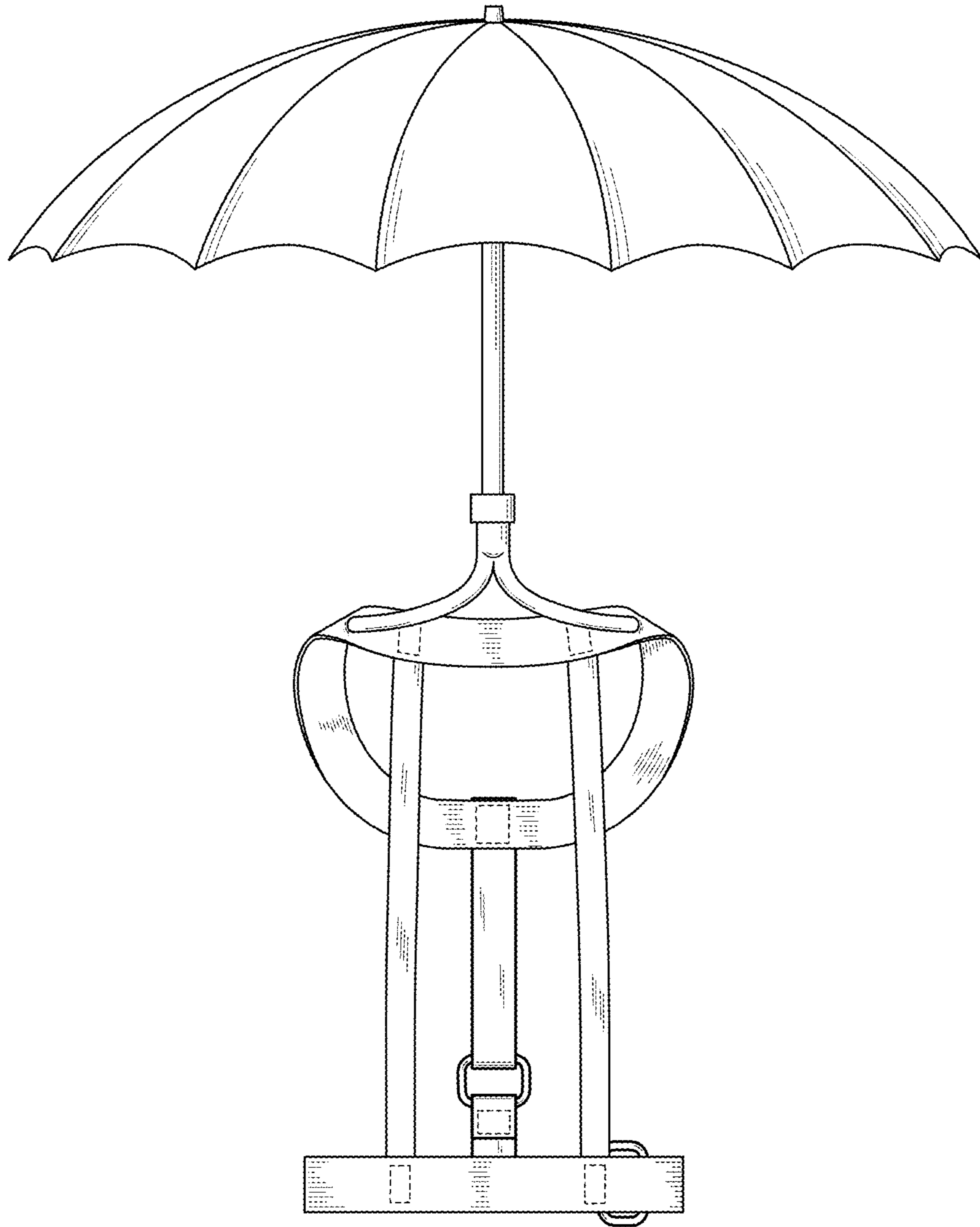


FIG. 3

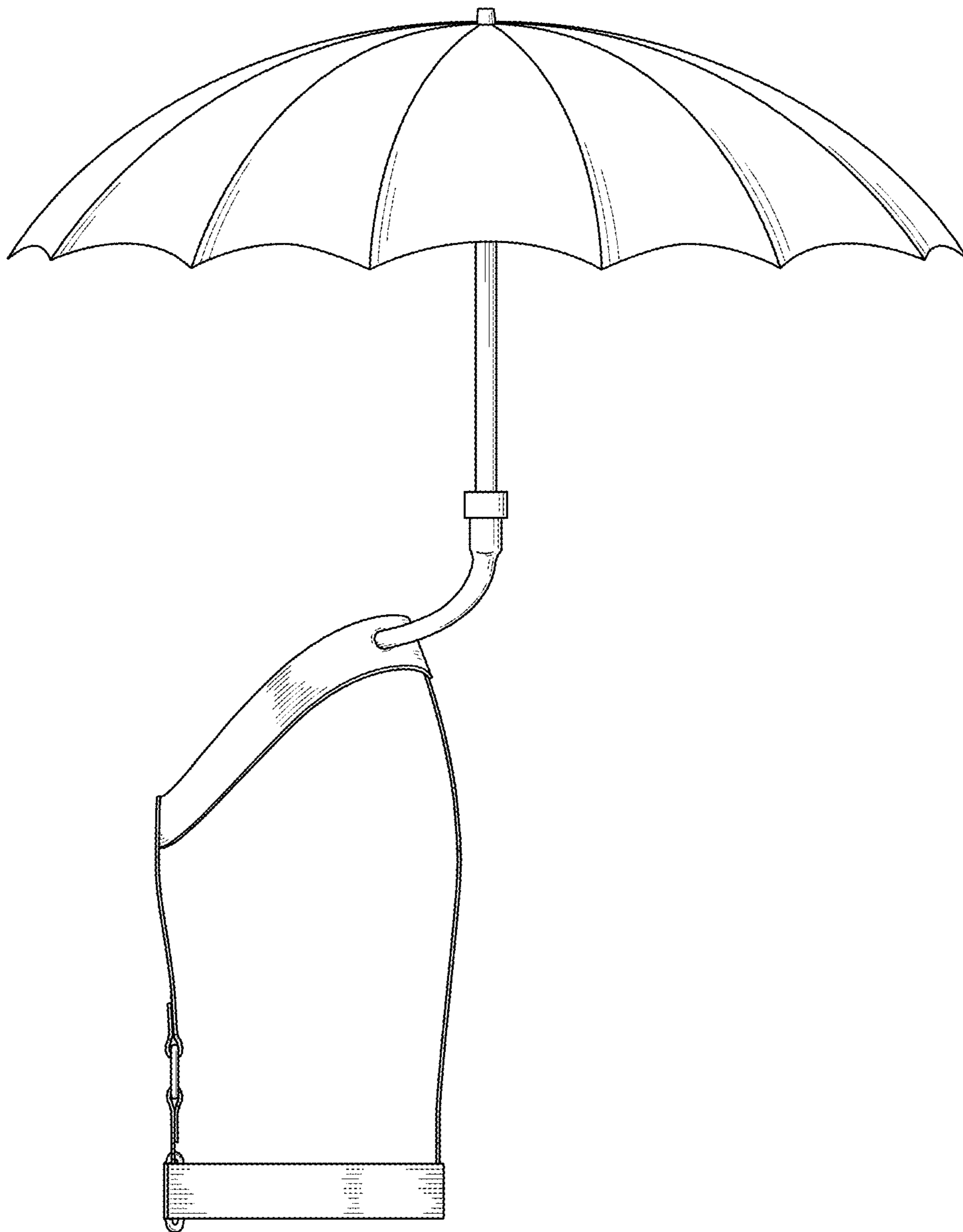


FIG. 4

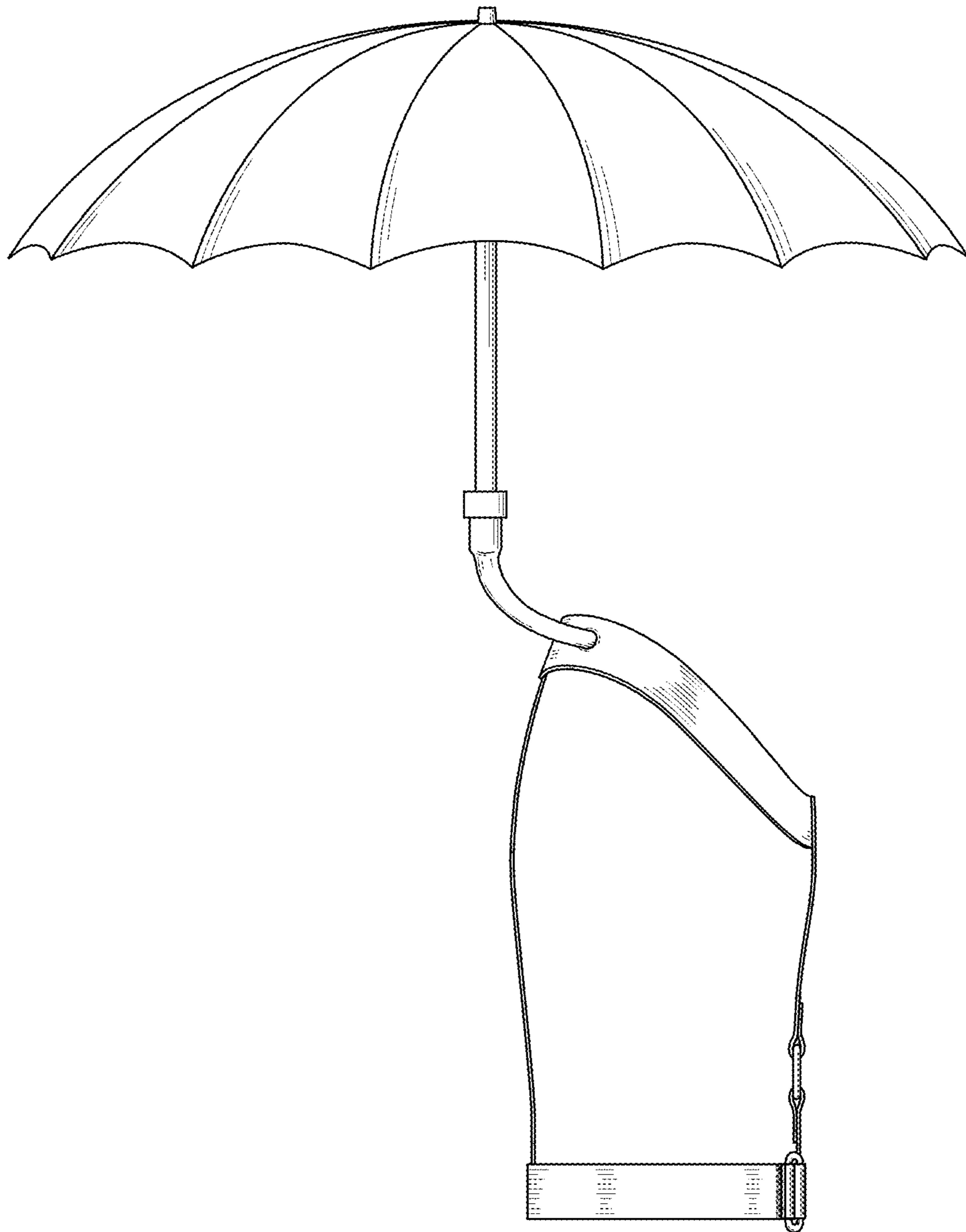


FIG. 5

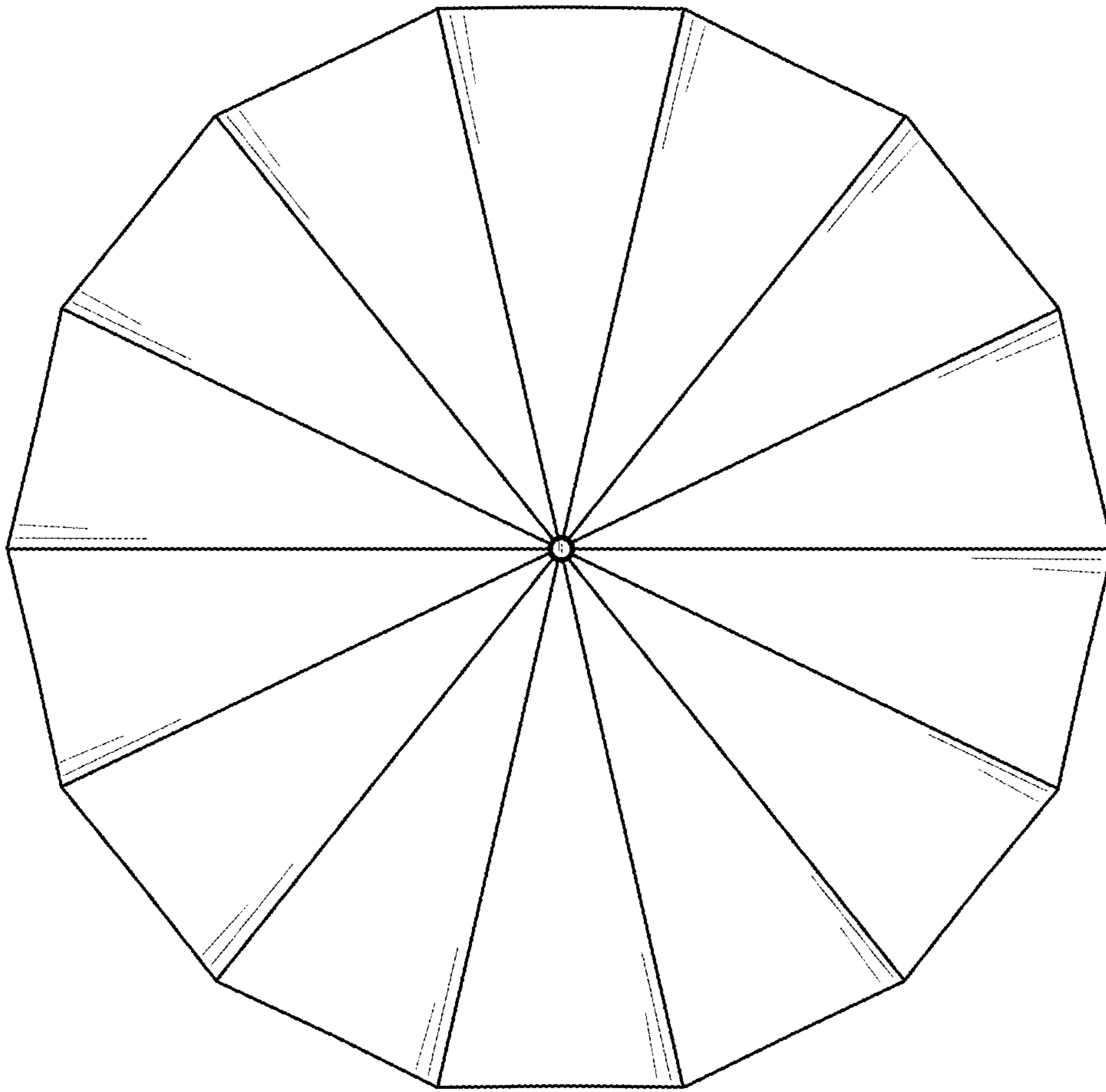


FIG. 6

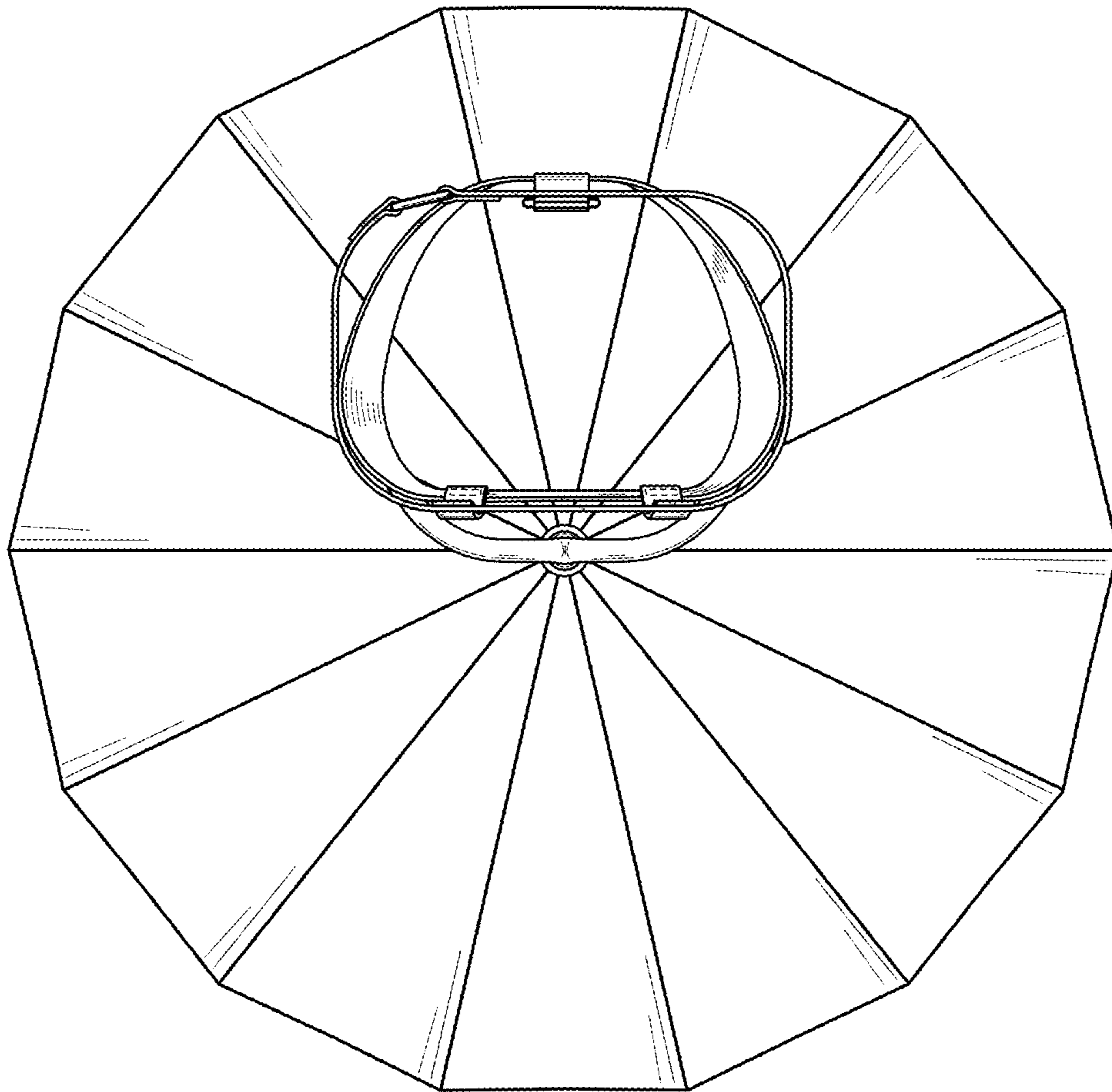


FIG. 7

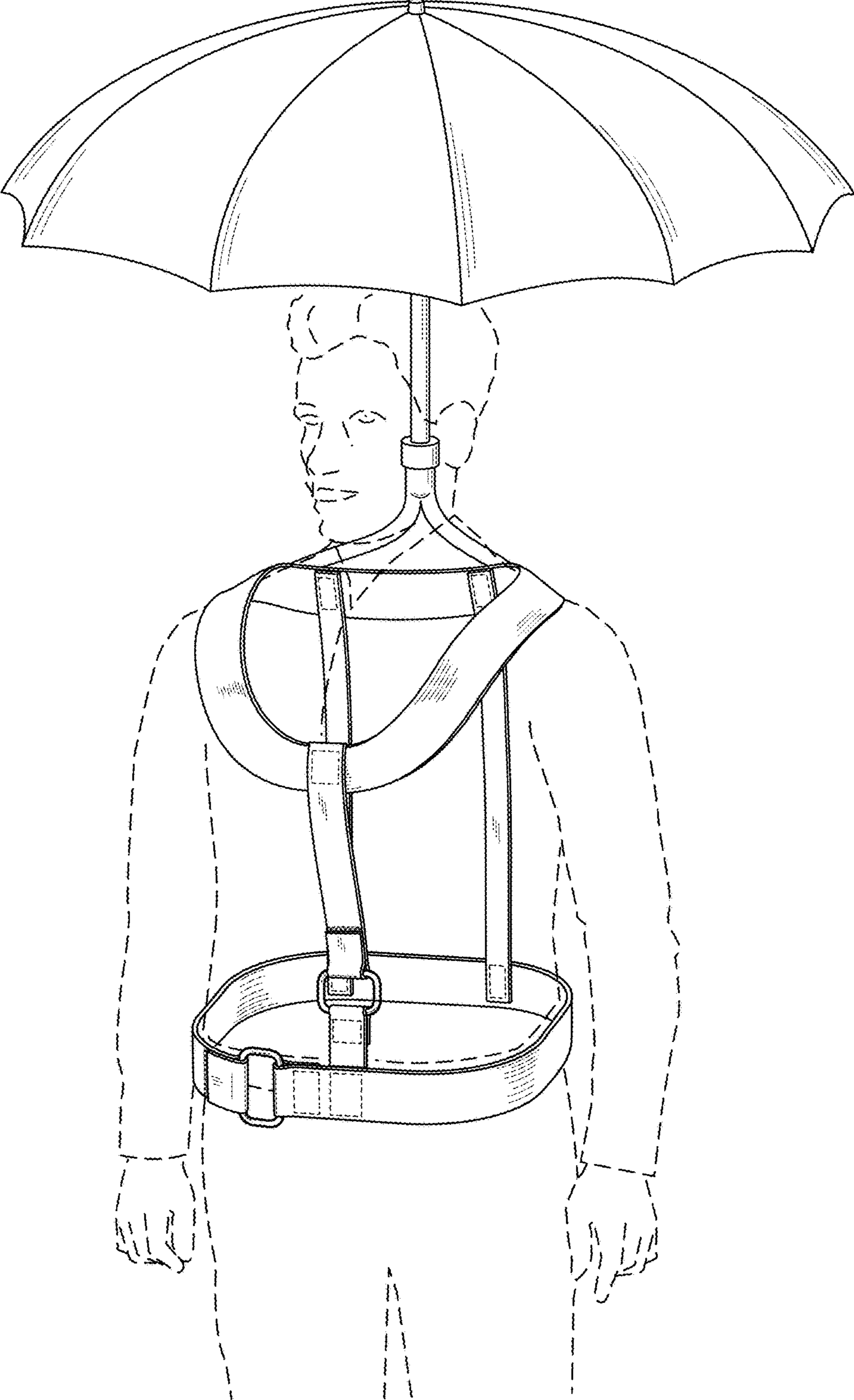


FIG. 8