



US00D828685S

(12) **United States Design Patent**
Ringholz et al.

(10) **Patent No.:** **US D828,685 S**

(45) **Date of Patent:** **** Sep. 18, 2018**

(54) **UPPER FOR A SHOE**

(71) Applicant: **Plae, Inc.**, San Francisco, CA (US)

(72) Inventors: **Ryan Ringholz**, Mill Valley, CA (US);
Christine Bettencourt, San Francisco, CA (US)

(73) Assignee: **PLAE, INC.**, San Francisco, CA (US)

(**) Term: **15 Years**

(21) Appl. No.: **29/587,949**

(22) Filed: **Dec. 16, 2016**

(51) **LOC (11) Cl.** **02-04**

(52) **U.S. Cl.**
USPC **D2/969**

(58) **Field of Classification Search**
USPC D2/896, 902, 903, 907, 923, 969,
D2/972-974
CPC A43B 5/06; A43B 5/00; A43B 5/001
See application file for complete search history.

(56) **References Cited**

U.S. PATENT DOCUMENTS

1,678,241	A	7/1928	Benz	
2,247,459	A	7/1941	Wolfhard	
D151,303	S	10/1948	Walsh	
3,430,365	A	3/1969	Dee	
3,626,610	A	12/1971	Dassler	
D250,917	S	1/1979	Wynne	
D255,956	S	7/1980	Hirsch	
D263,643	S	4/1982	Vermonet	
D270,111	S	8/1983	Migdown	
D272,962	S	3/1984	Clarvit	
4,451,995	A	6/1984	Antonious	
4,542,598	A	9/1985	Misevich et al.	
D301,935	S	7/1989	Jonah	
D305,828	S	* 2/1990	Whatley	D2/969
D335,385	S	5/1993	Kawabata	
D337,422	S	7/1993	Leake	
D388,940	S	1/1998	Barker	

D436,244	S	*	1/2001	James	D2/902
D457,297	S	*	5/2002	Adams	D2/902
D480,552	S		10/2003	Burg et al.		
D482,854	S	*	12/2003	Burg	D2/969
D493,029	S		7/2004	Jacobs		
D499,864	S	*	12/2004	Belley	D2/969

(Continued)

OTHER PUBLICATIONS

Craze II Leather by Keds, Zappos.com, http://www.zappos.com/p/keds-craze-ii-white/product/8818353/color/14?zlfid=191&ref=pd_detail_4_sims_v, dated Sep. 14, 2017 (5 pages).

Primary Examiner — Holly H Baynham

Assistant Examiner — Rashida C Walshon

(74) Attorney, Agent, or Firm — Wilmer Cutler Pickering Hale and Dorr LLP

(57) **CLAIM**

The ornamental design for the upper for a shoe, as shown and described.

DESCRIPTION

FIG. 1 is a perspective view of an upper for a shoe of the present invention.

FIG. 2 is a side view of the upper for a shoe shown in FIG. 1.

FIG. 3 is an opposite side view of the upper for a shoe shown in FIG. 1.

FIG. 4 is a top view of the upper for a shoe shown in FIG. 1.

FIG. 5 is a rear view of the upper for a shoe shown in FIG. 1; and,

FIG. 6 is a front view of the upper for a shoe shown in FIG. 1.

The broken lines below the upper and on interior surfaces of the shoe show a part of the shoe that is not part of the claimed design. The broken lines included in the upper represent part of the claimed design.

1 Claim, 5 Drawing Sheets



(56)

References Cited

U.S. PATENT DOCUMENTS

D500,196	S	*	12/2004	Belley	D2/969
D504,999	S	*	5/2005	Robbins	D2/969
D513,663	S	*	1/2006	Lane, III	D2/906
D514,296	S	*	2/2006	Erickson	D2/906
D533,706	S	*	12/2006	Lane, III	D2/906
D541,025	S	*	4/2007	Mochen	D2/969
D560,338	S	*	1/2008	Lane, III	D2/969
D613,480	S		4/2010	Lamont	
D613,482	S		4/2010	Della Valle et al.	
D620,689	S		8/2010	Weber	
D625,097	S		10/2010	Portzline	
D626,312	S		11/2010	Della Valle et al.	
D636,156	S		4/2011	Della Valle et al.	
D636,683	S		4/2011	Floyd et al.	
D661,874	S		6/2012	Hardy	
D676,641	S		2/2013	Lin	
D714,034	S		9/2014	Della Valle et al.	
D732,812	S	*	6/2015	Weddle	D2/906
D735,450	S		8/2015	McInerney	
D735,455	S		8/2015	Mochen et al.	
D737,553	S		9/2015	Della Valle et al.	
D738,076	S		9/2015	Sassi	
D751,797	S		3/2016	Slimane	
2005/0022427	A1		2/2005	Kerns et al.	
2011/0258876	A1		10/2011	Baker et al.	
2017/0055627	A1		3/2017	Cook	
2017/0238645	A1		8/2017	Arin	

* cited by examiner

FIG. 1

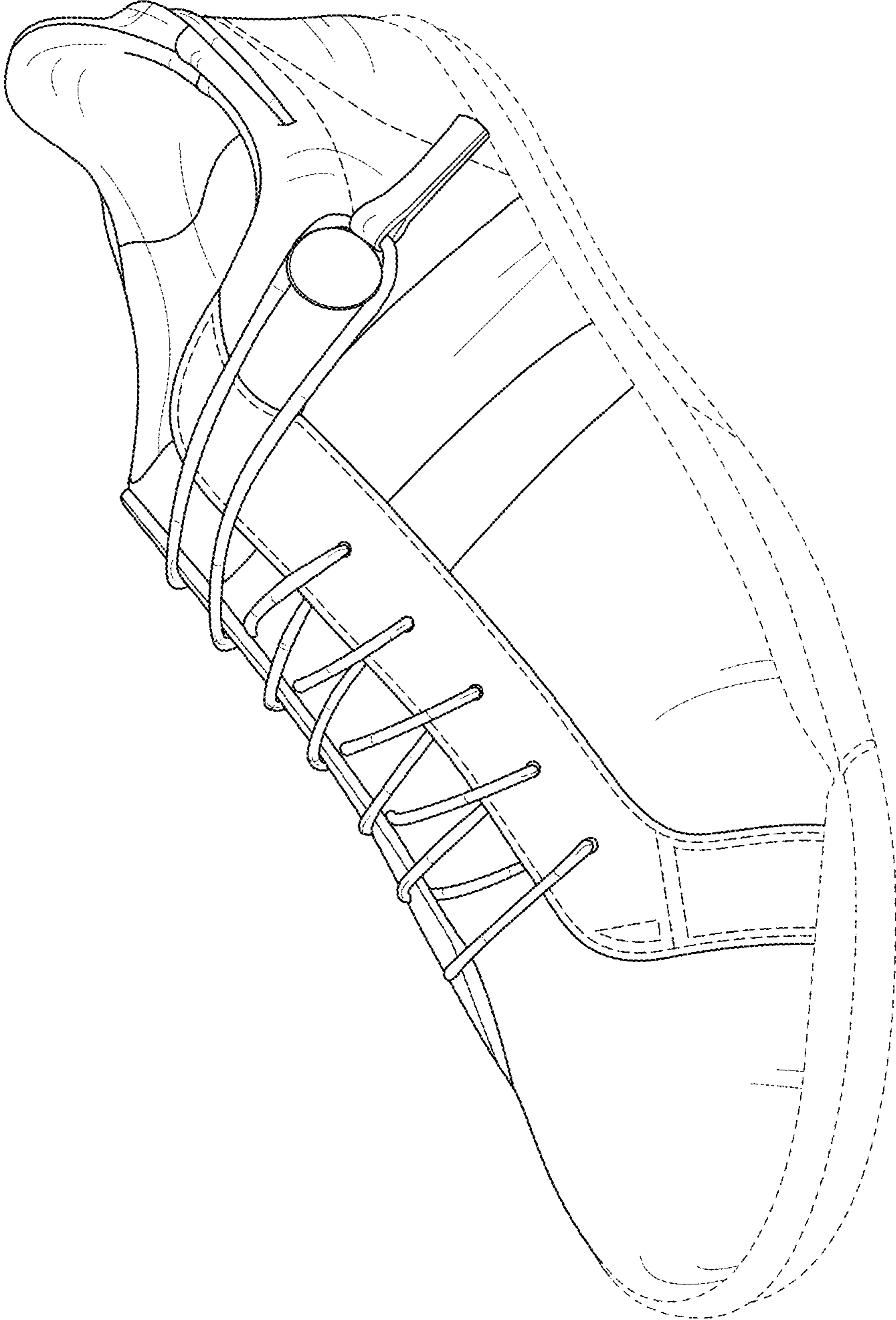


FIG. 2

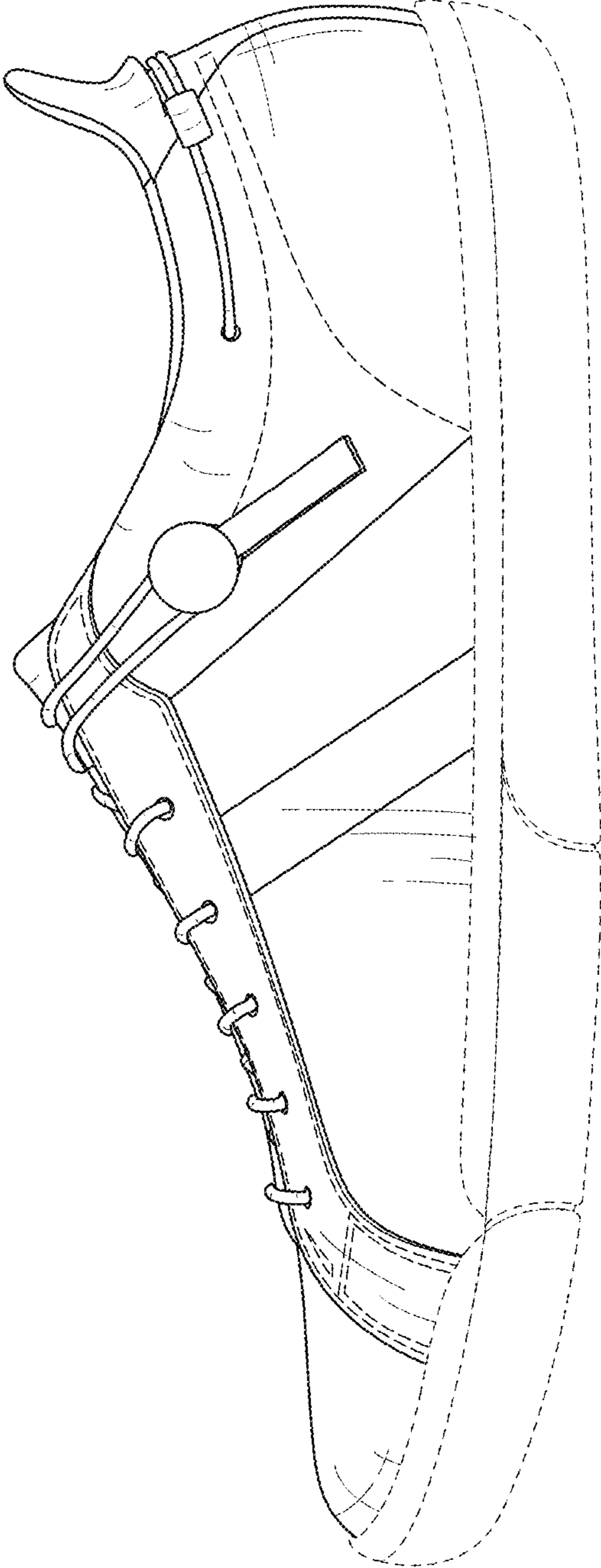


FIG. 3

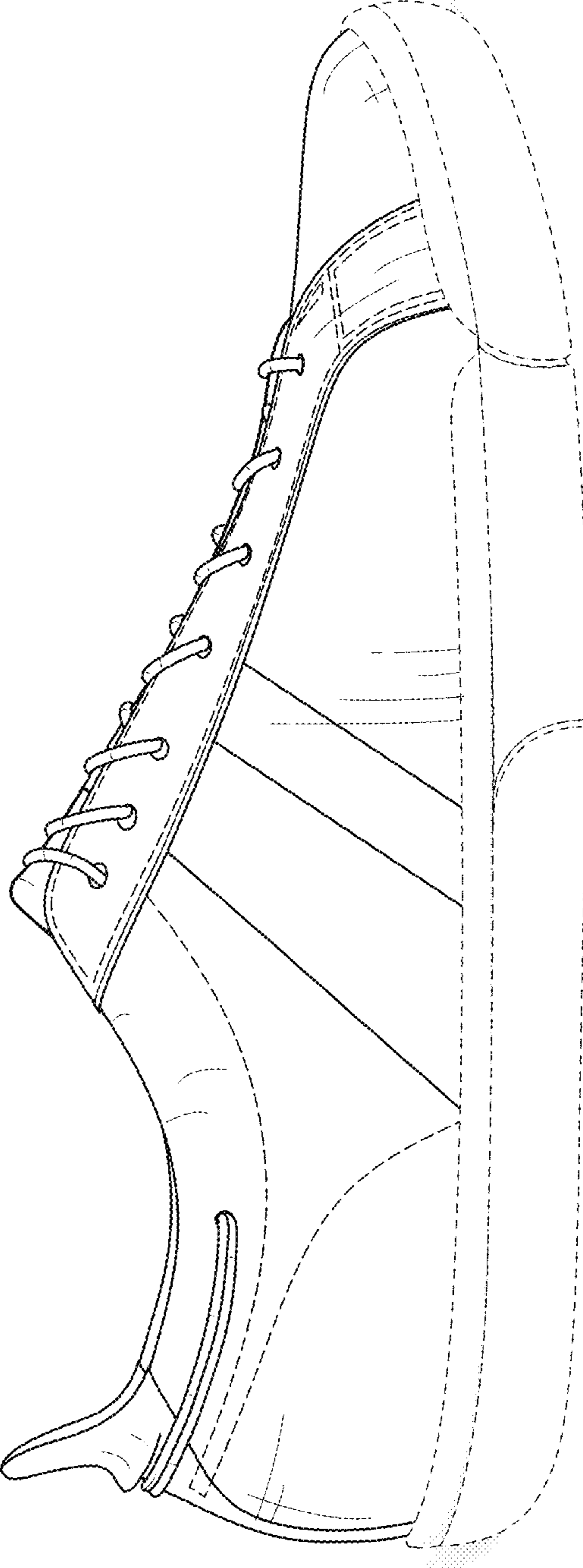


FIG. 4

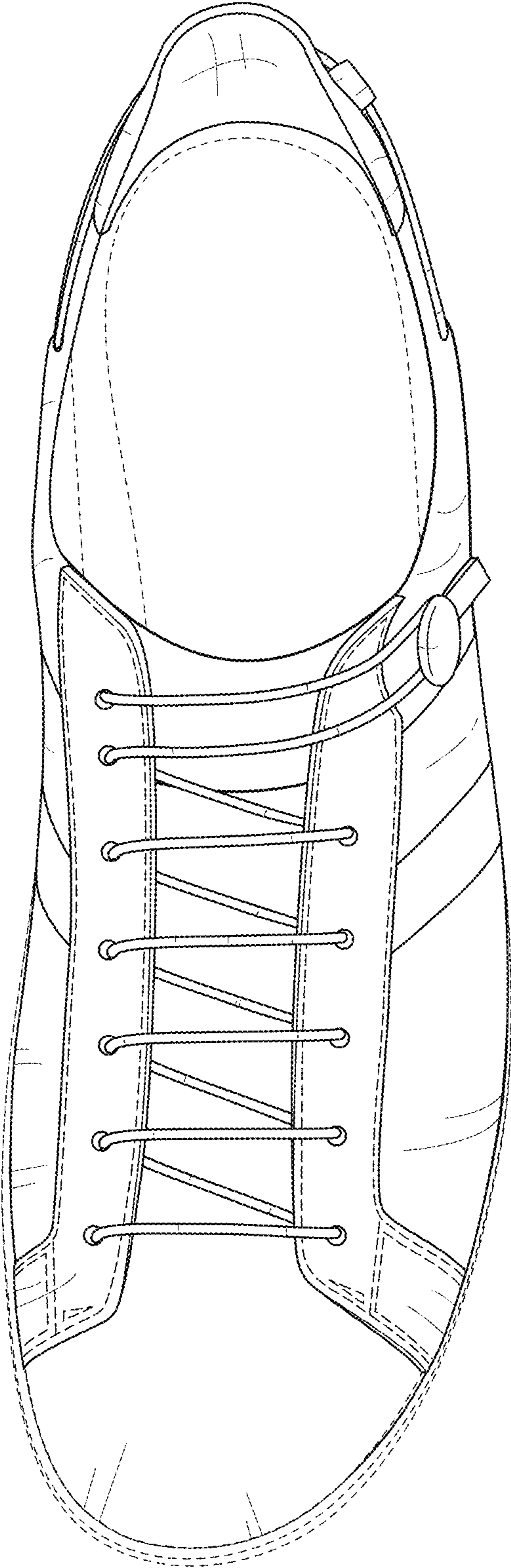


FIG. 6

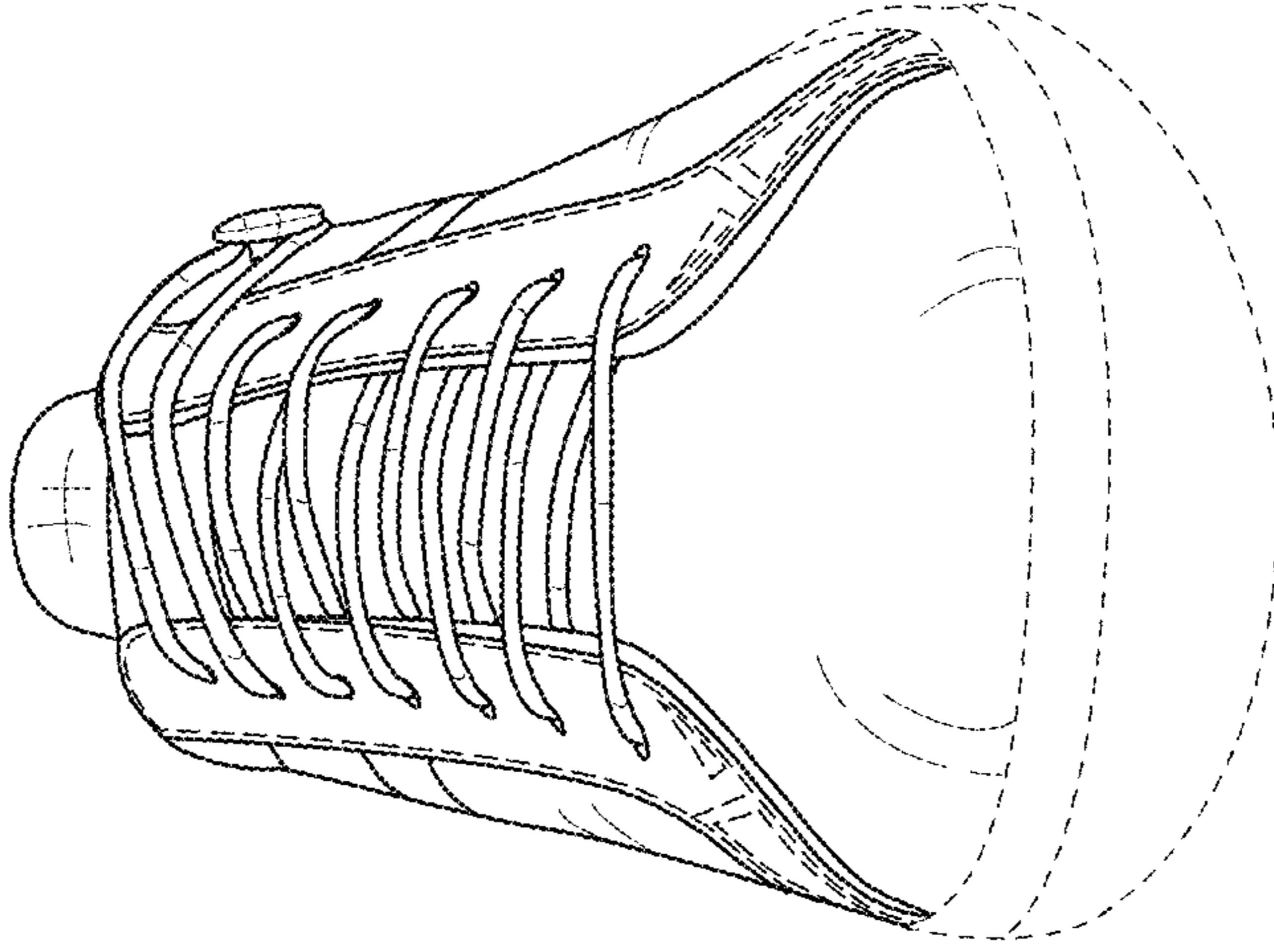


FIG. 5

