



US00D828682S

(12) **United States Design Patent** (10) **Patent No.:** **US D828,682 S**  
**Ringholz et al.** (45) **Date of Patent:** **\*\* Sep. 18, 2018**

(54) **UPPER FOR A SHOE**  
(71) Applicant: **Plae, Inc.**, San Francisco, CA (US)  
(72) Inventors: **Ryan Ringholz**, Mill Valley, CA (US);  
**Christine Bettencourt**, San Francisco, CA (US)  
(73) Assignee: **PLAE, INC.**, San Francisco, CA (US)  
(\*\*) Term: **15 Years**

4,542,598 A \* 9/1985 Misevich ..... A43B 5/10  
36/102  
D301,935 S \* 7/1989 Jonah ..... D2/969  
D337,422 S \* 7/1993 Leake ..... D2/902  
D388,940 S \* 1/1998 Barker ..... D2/907  
D493,029 S \* 7/2004 Jacobs ..... D2/978  
D613,480 S \* 4/2010 Lamont ..... D2/902  
D613,482 S \* 4/2010 Della Valle ..... D2/907  
D620,689 S \* 8/2010 Weber ..... D2/902  
D636,983 S \* 5/2011 Torrance ..... D2/907  
D676,641 S \* 2/2013 Lin ..... D2/972  
D714,034 S \* 9/2014 Della Valle ..... D2/944  
D735,450 S \* 8/2015 McInerney ..... D2/900

(Continued)

(21) Appl. No.: **29/588,375**  
(22) Filed: **Dec. 20, 2016**  
(51) **LOC (11) Cl.** ..... **02-04**  
(52) **U.S. Cl.**  
USPC ..... **D2/943**  
(58) **Field of Classification Search**  
USPC ..... D2/896, 897, 900, 902, 907, 908, 909,  
D2/912, 919, 920, 923, 929, 942, 943,  
D2/944, 945, 946, 951, 953, 955, 960,  
D2/969, 972, 974, 976  
CPC .... A43B 1/04; A43B 5/06; A43B 5/10; A43B  
23/24  
See application file for complete search history.

*Primary Examiner* — Shannon Weekley Morgan  
*Assistant Examiner* — Clare A Gannon  
(74) *Attorney, Agent, or Firm* — Wilmer Cutler Pickering  
Hale and Dorr LLP

(57) **CLAIM**

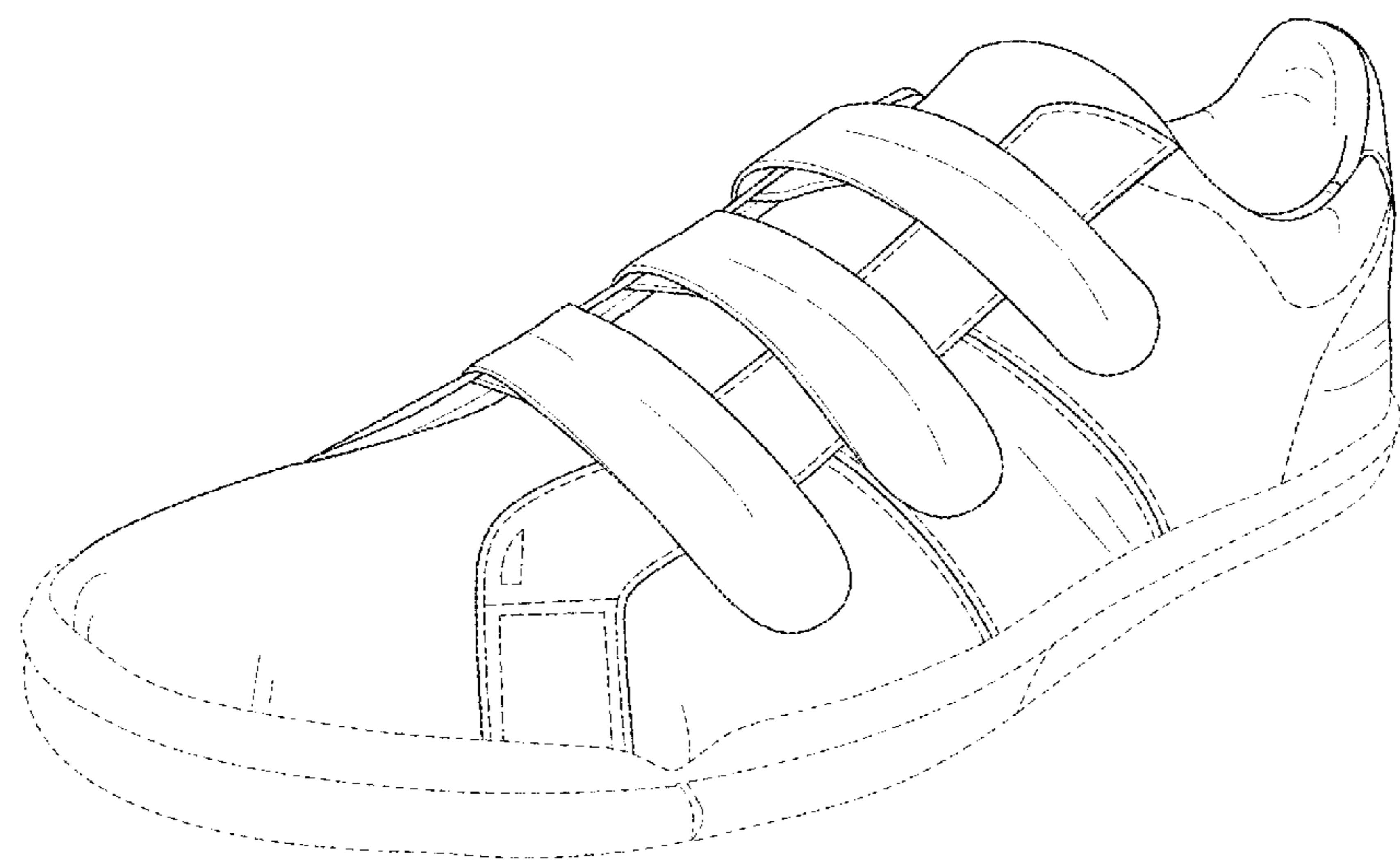
We claim the ornamental design for the upper for a shoe, as shown and described.

**DESCRIPTION**

FIG. 1 is a perspective view of an upper for a shoe of the present invention.  
FIG. 2 is a right side view thereof.  
FIG. 3 is a left side view thereof.  
FIG. 4 is a left side view thereof, with the straps shown in an open configuration.  
FIG. 5 is a top view thereof, with the straps shown in a closed configuration.  
FIG. 6 is a front view thereof, with the straps shown in an open configuration.  
FIG. 7 is a rear view thereof, with the straps shown in a closed configuration; and,  
FIG. 8 is a front view thereof.  
The broken lines on the surface of the shoe in FIGS. 1-7 show stitching. The broken lines showing the sole and the periphery throughout the views from no part of the claim.

(56) **References Cited**  
U.S. PATENT DOCUMENTS  
1,678,241 A \* 7/1928 Benz ..... A43C 11/02  
36/50.1  
2,247,459 A \* 7/1941 Wolfhard ..... A43B 23/024  
36/45  
D151,303 S \* 10/1948 Walsh ..... D2/919  
3,626,610 A \* 12/1971 Dassler ..... A43B 5/06  
36/129  
D255,956 S \* 7/1980 Hirsch ..... D2/907  
D270,111 S \* 8/1983 Migdow ..... D2/907  
D272,962 S \* 3/1984 Clarvit ..... D2/900  
4,451,995 A \* 6/1984 Antonious ..... A43B 23/047  
36/51

**1 Claim, 7 Drawing Sheets**



(56)

**References Cited**

U.S. PATENT DOCUMENTS

D738,076 S \* 9/2015 Sassi ..... D2/944  
D751,797 S \* 3/2016 Slimane ..... D2/908  
2005/0022427 A1\* 2/2005 Kerns ..... A43B 5/14  
36/50.1  
2011/0258876 A1\* 10/2011 Baker ..... A43C 11/008  
36/50.1  
2017/0055627 A1\* 3/2017 Cook ..... A43B 5/06  
2017/0238645 A1\* 8/2017 Arin ..... A43B 3/24

\* cited by examiner

FIG. 1

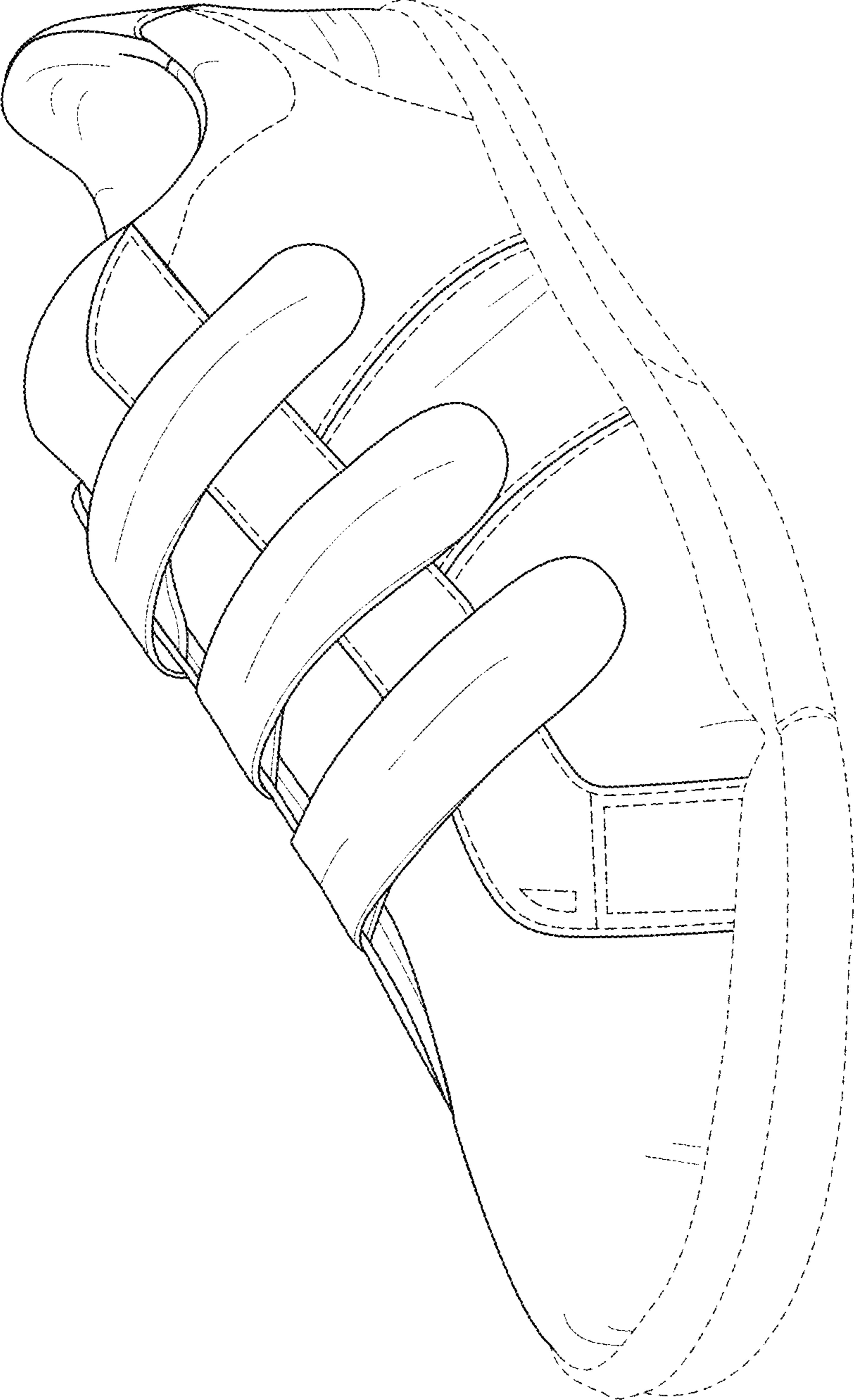


FIG. 2

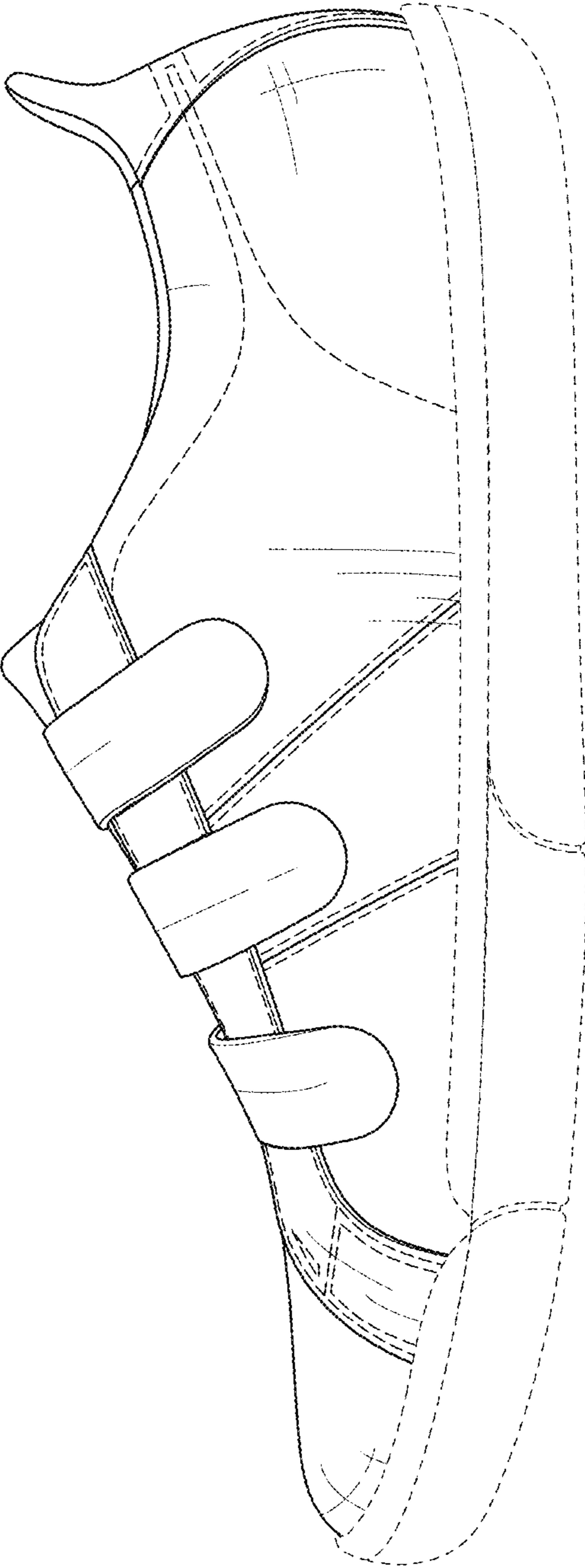


FIG. 3

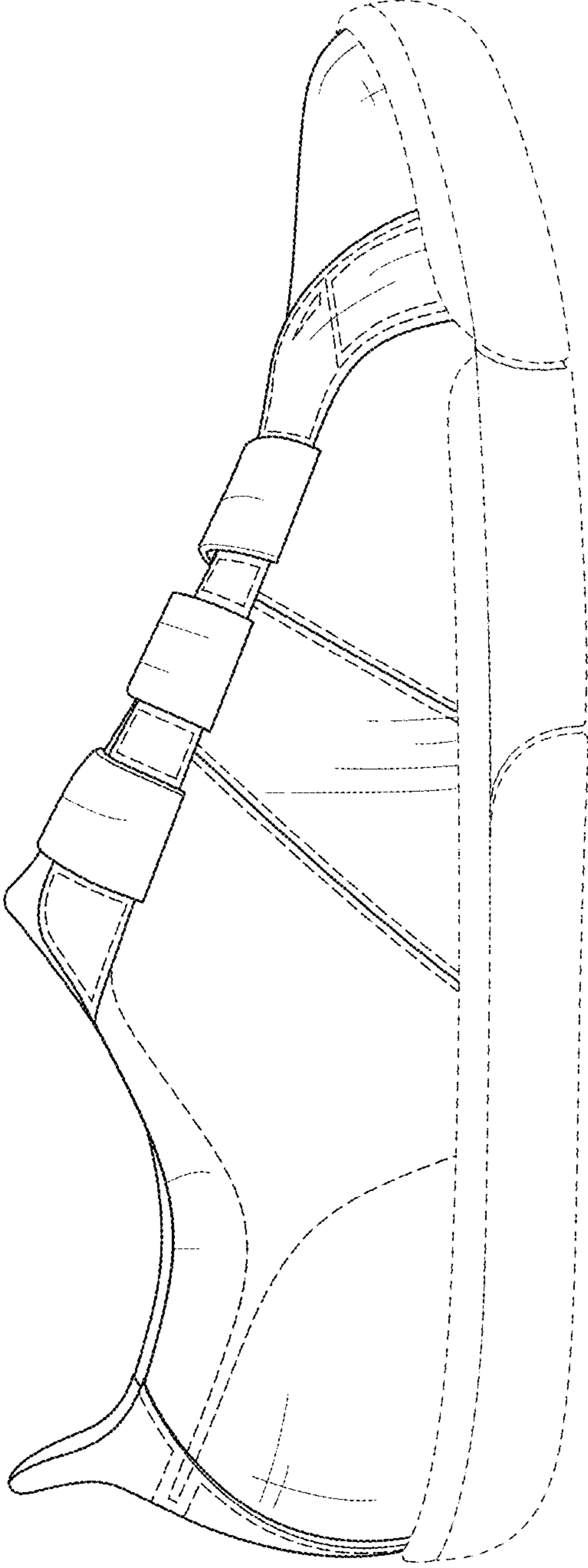




FIG. 4

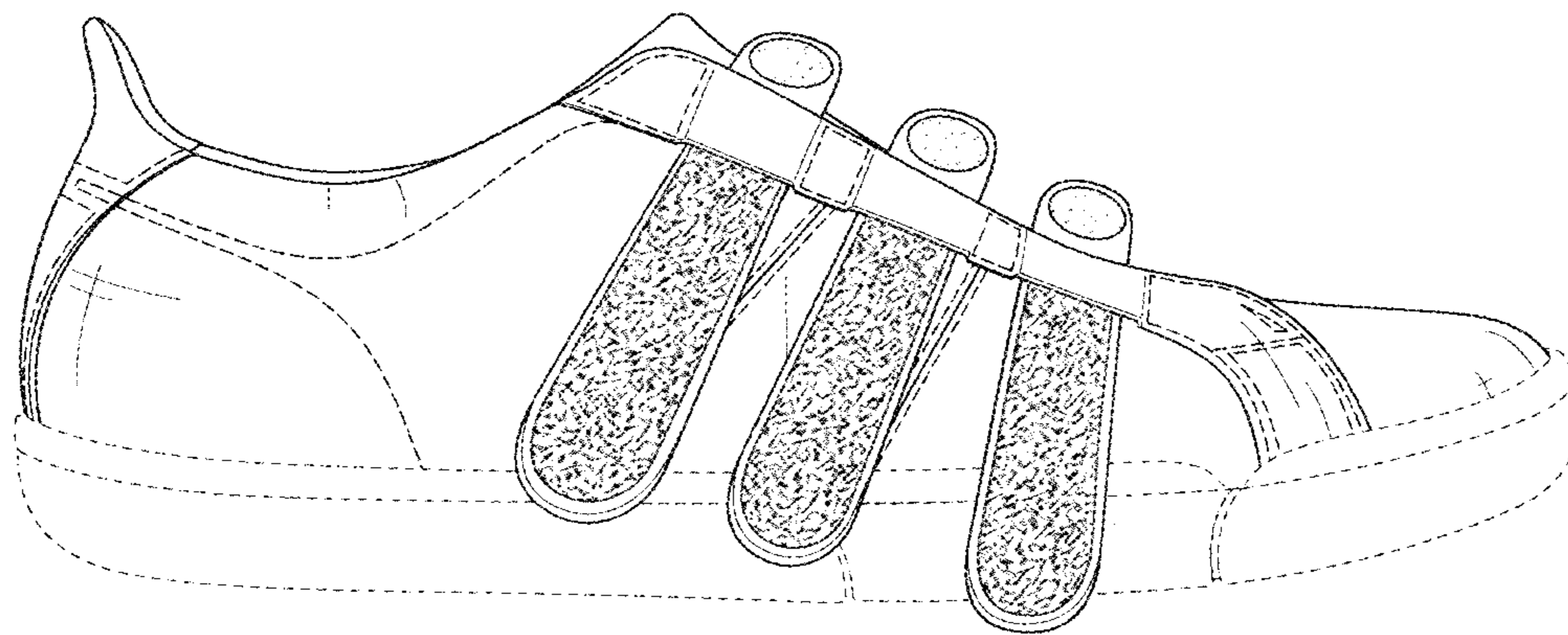
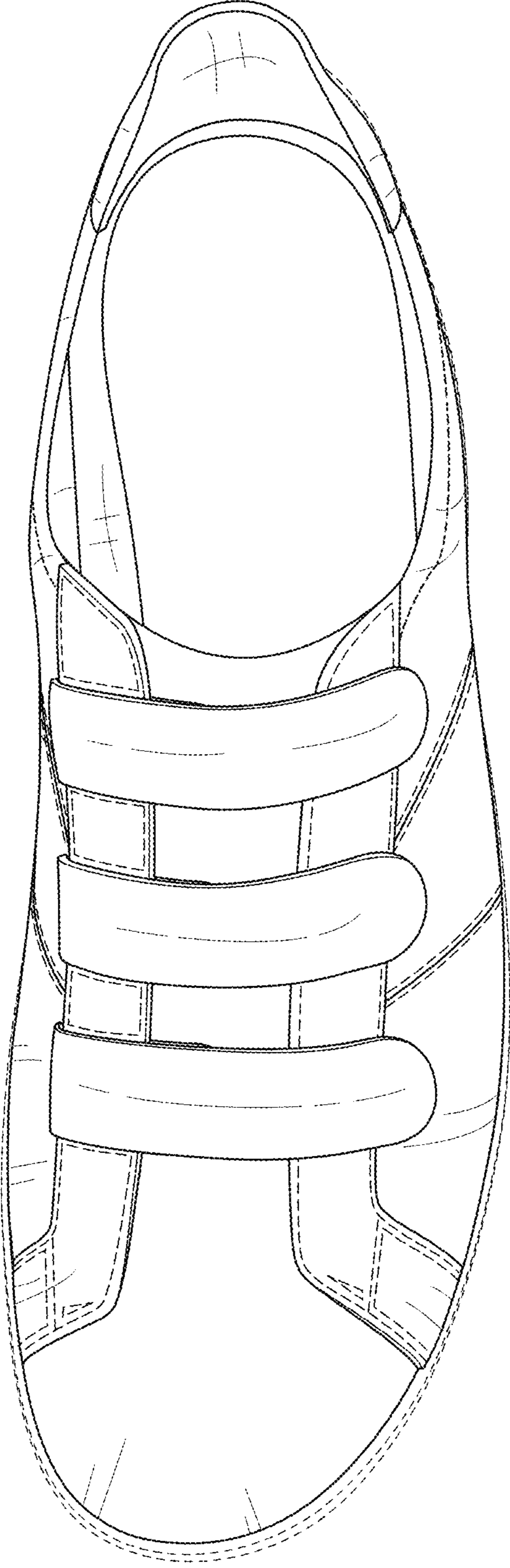


FIG. 5



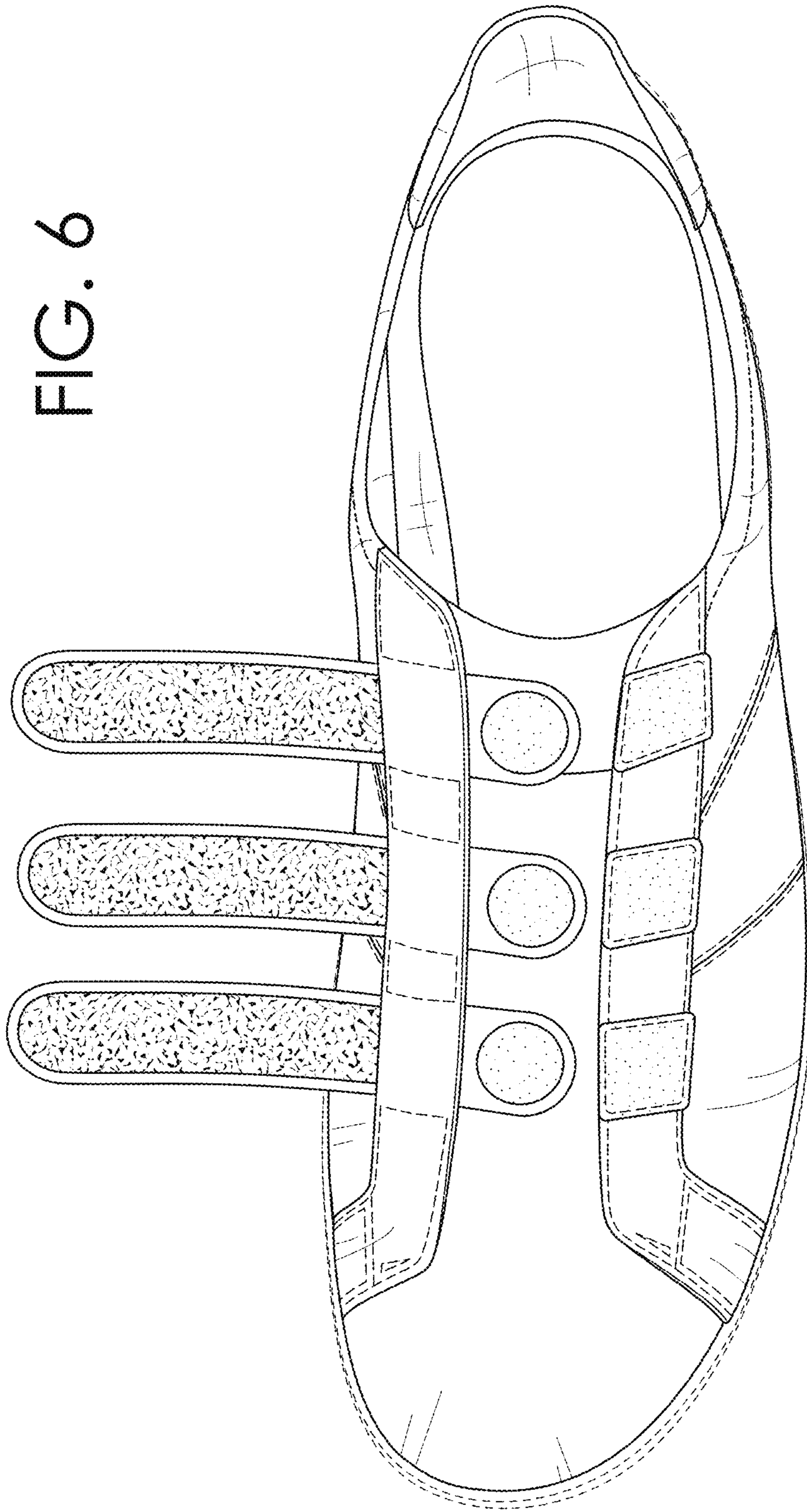


FIG. 6



FIG. 7

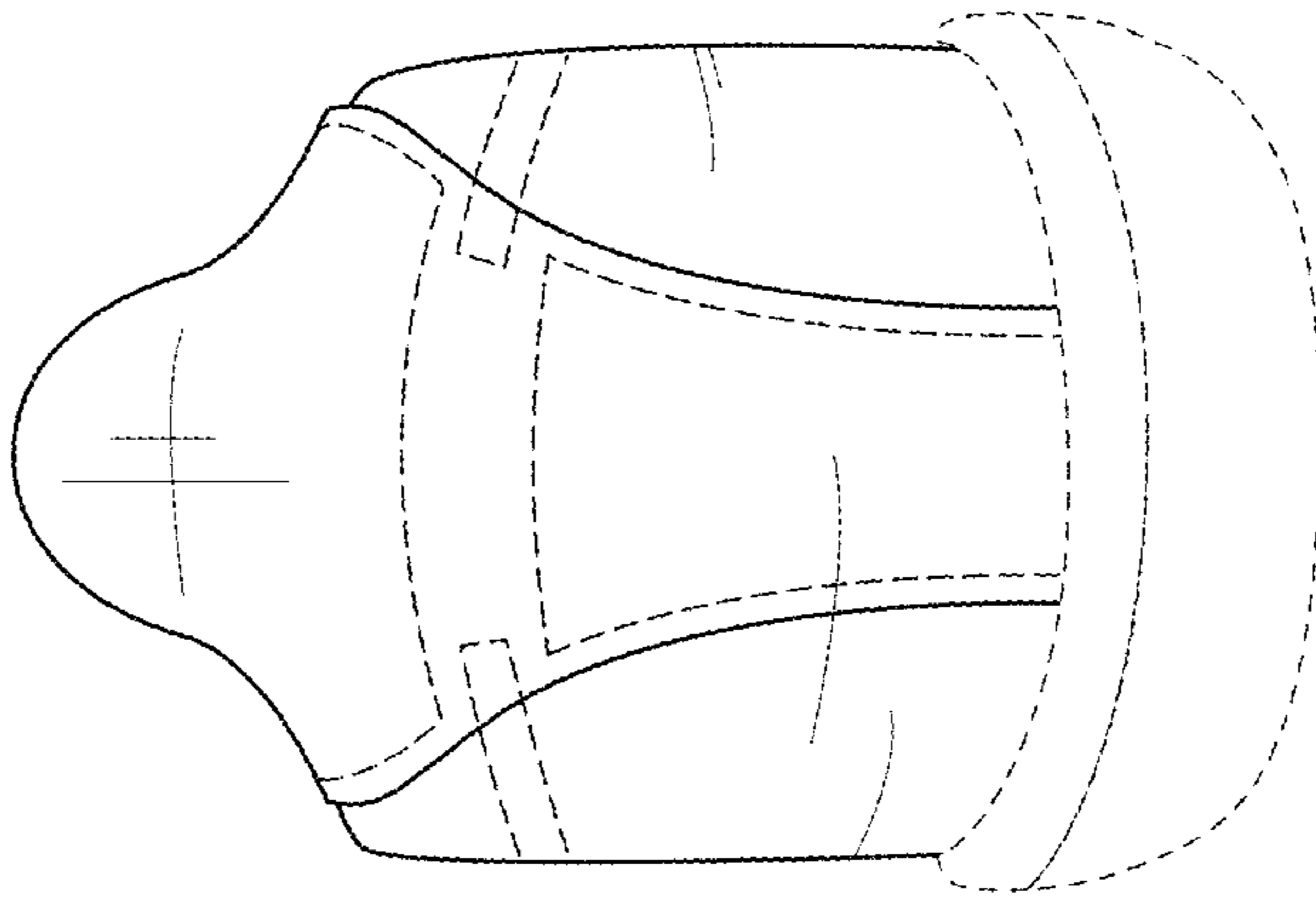


FIG. 8

