



US00D828681S

(12) **United States Design Patent**  
**Berman**

(10) **Patent No.:** **US D828,681 S**

(45) **Date of Patent:** **\*\* Sep. 18, 2018**

- (54) **COLLAPSIBLE HAT**
- (71) Applicant: **Robert Berman**, Haddonfield, NJ (US)
- (72) Inventor: **Robert Berman**, Haddonfield, NJ (US)
- (73) Assignee: **Silvertop Associates, Inc.**, Runnemede, NJ (US)
- (\*\*) Term: **15 Years**
- (21) Appl. No.: **29/556,106**
- (22) Filed: **Feb. 26, 2016**
- (51) **LOC (11) Cl.** ..... **02-03**
- (52) **U.S. Cl.**  
USPC ..... **D2/885**
- (58) **Field of Classification Search**  
USPC ..... D2/865, 866, 873, 875, 876, 878, 882,  
D2/883, 885, 886, 887, 888, 891  
CPC .. A42B 1/00; A42B 1/004; A42B 1/04; A42B  
1/043; A42B 1/065; A42B 1/201  
See application file for complete search history.

- 4,709,422 A \* 12/1987 Peham ..... A42B 1/201  
2/171
- D336,764 S \* 6/1993 Minton ..... D2/887
- D390,689 S \* 2/1998 Ochiai ..... D2/865
- 6,076,191 A \* 6/2000 Kapas ..... A42B 1/004  
2/171.02
- 7,310,828 B2 \* 12/2007 Johnson ..... A42B 1/201  
2/171.03

\* cited by examiner

*Primary Examiner* — Karen E Eldridge Powers

*Assistant Examiner* — Jasmine Mlinarcik

(74) *Attorney, Agent, or Firm* — Gordon & Rees Scully  
Mansukhani

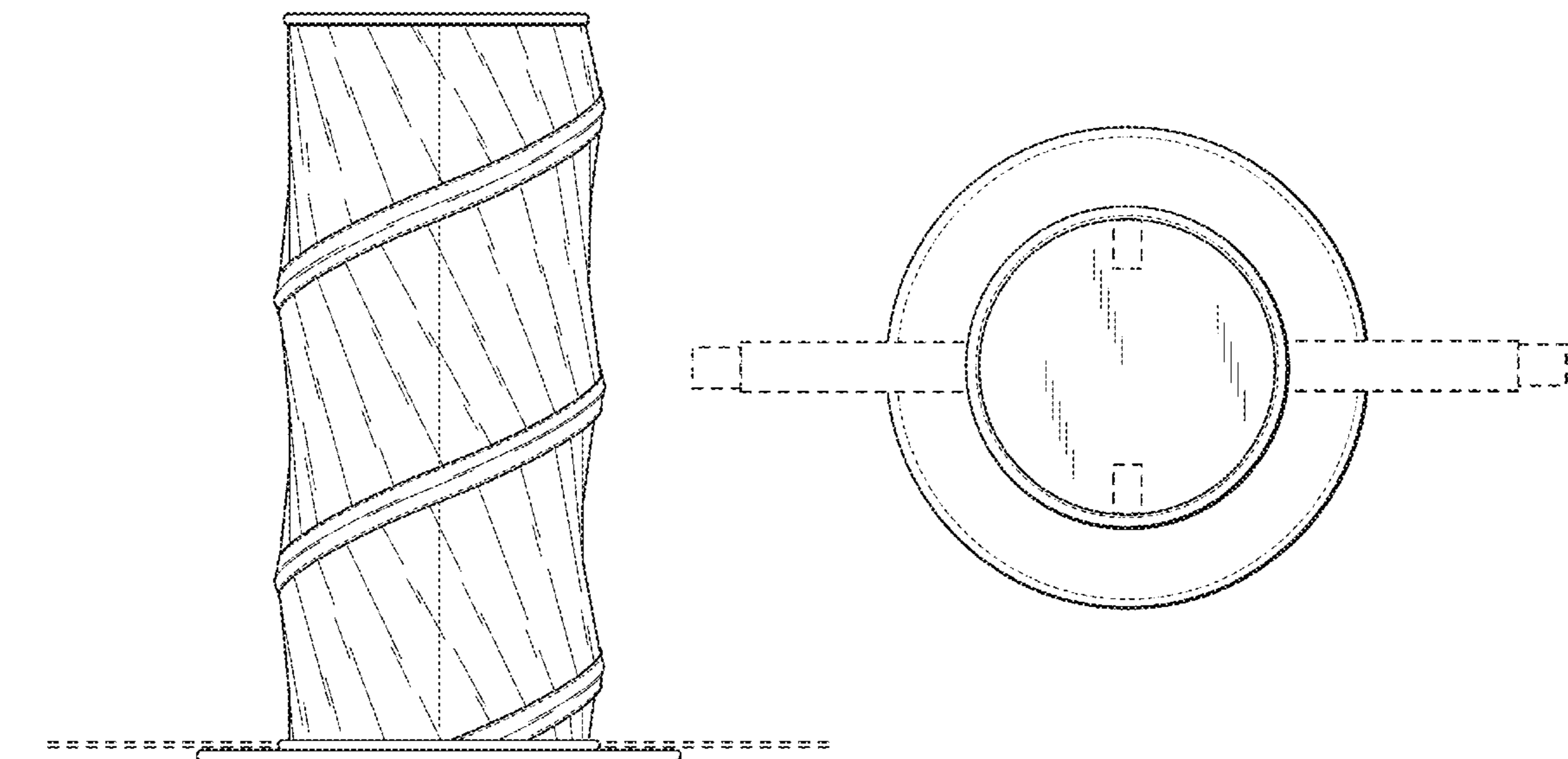
(57) **CLAIM**

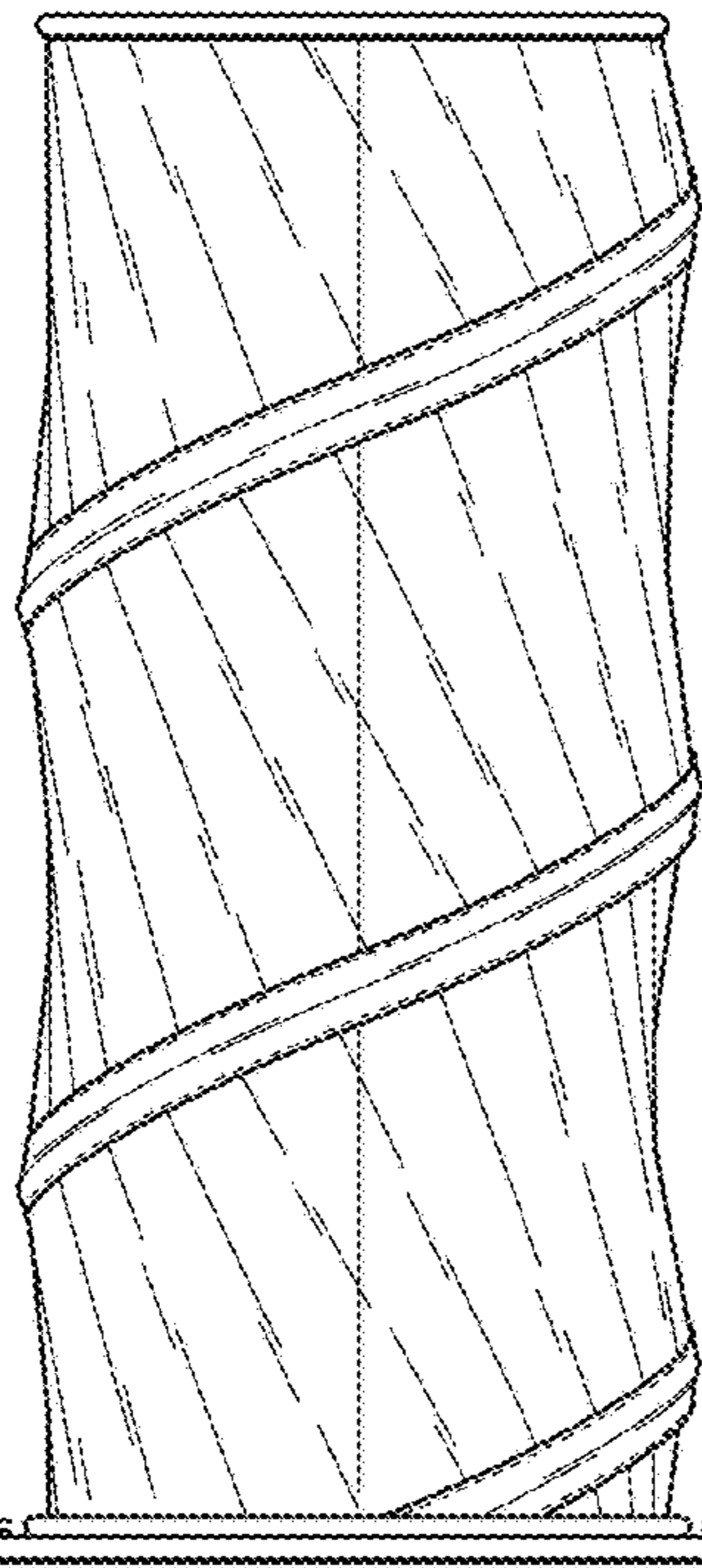
The ornamental design for a collapsible hat, as shown and described.

**DESCRIPTION**

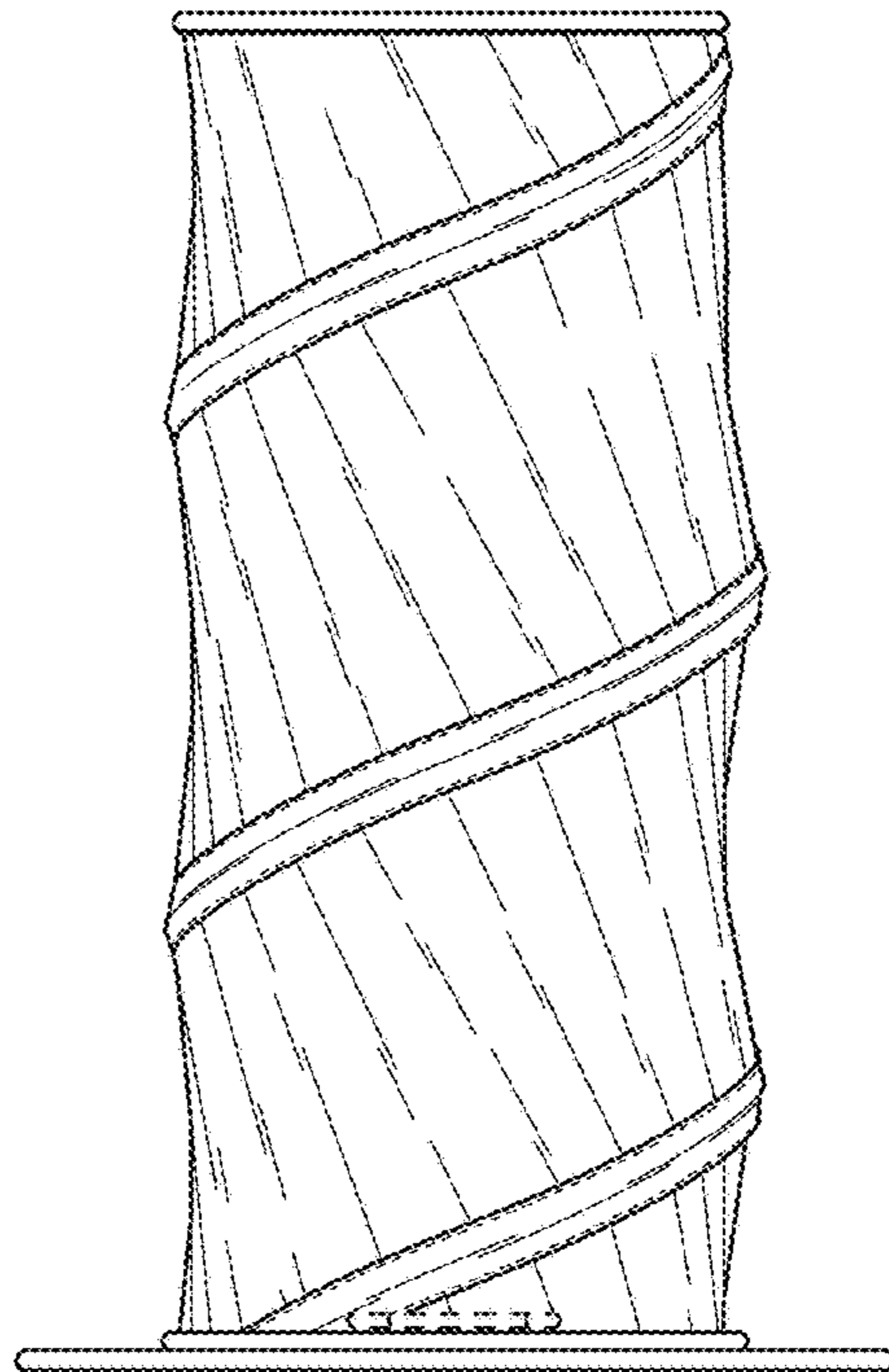
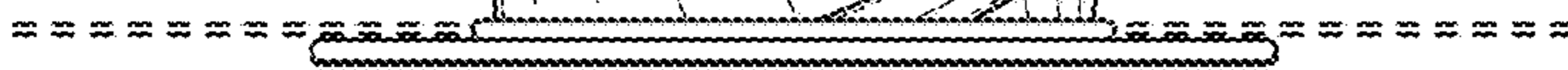
FIG. 1 is a front elevation view of my new design for a collapsible hat;  
 FIG. 2 is a left side elevation view of the hat shown in FIG. 1;  
 FIG. 3 is a rear elevation view of the hat shown in FIG. 1;  
 FIG. 4 is a right side elevation view of the hat shown in FIG. 1;  
 FIG. 5 is a top plan view of the hat shown in FIG. 1; and,  
 FIG. 6 is a bottom plan view of the hat shown in FIG. 1.  
 The broken lines showing retention straps and strap anchors are included for the purpose of illustrating environmental structure only, and form no part of the claimed design. The fine broken lines show stitching as part of the design.

**1 Claim, 3 Drawing Sheets**

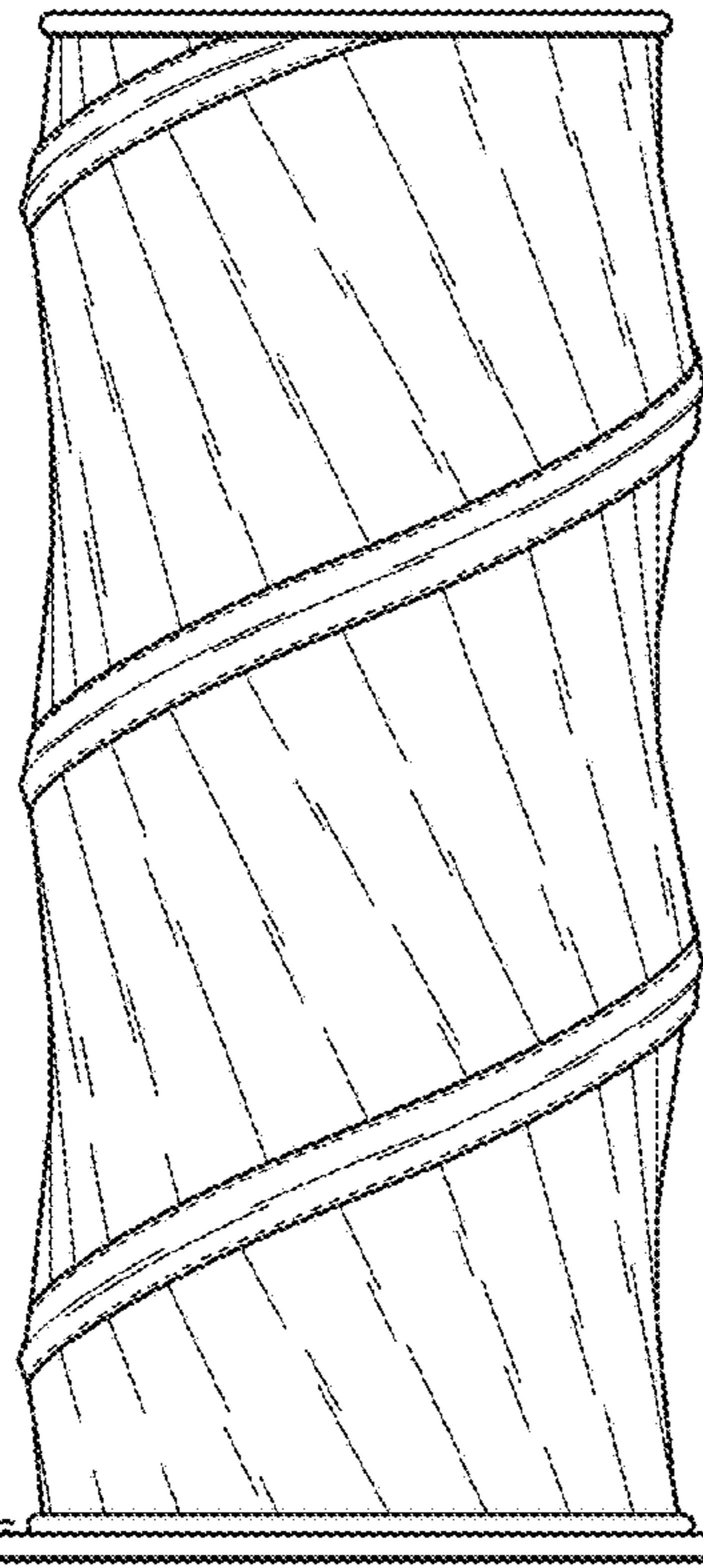




**FIG. 1**

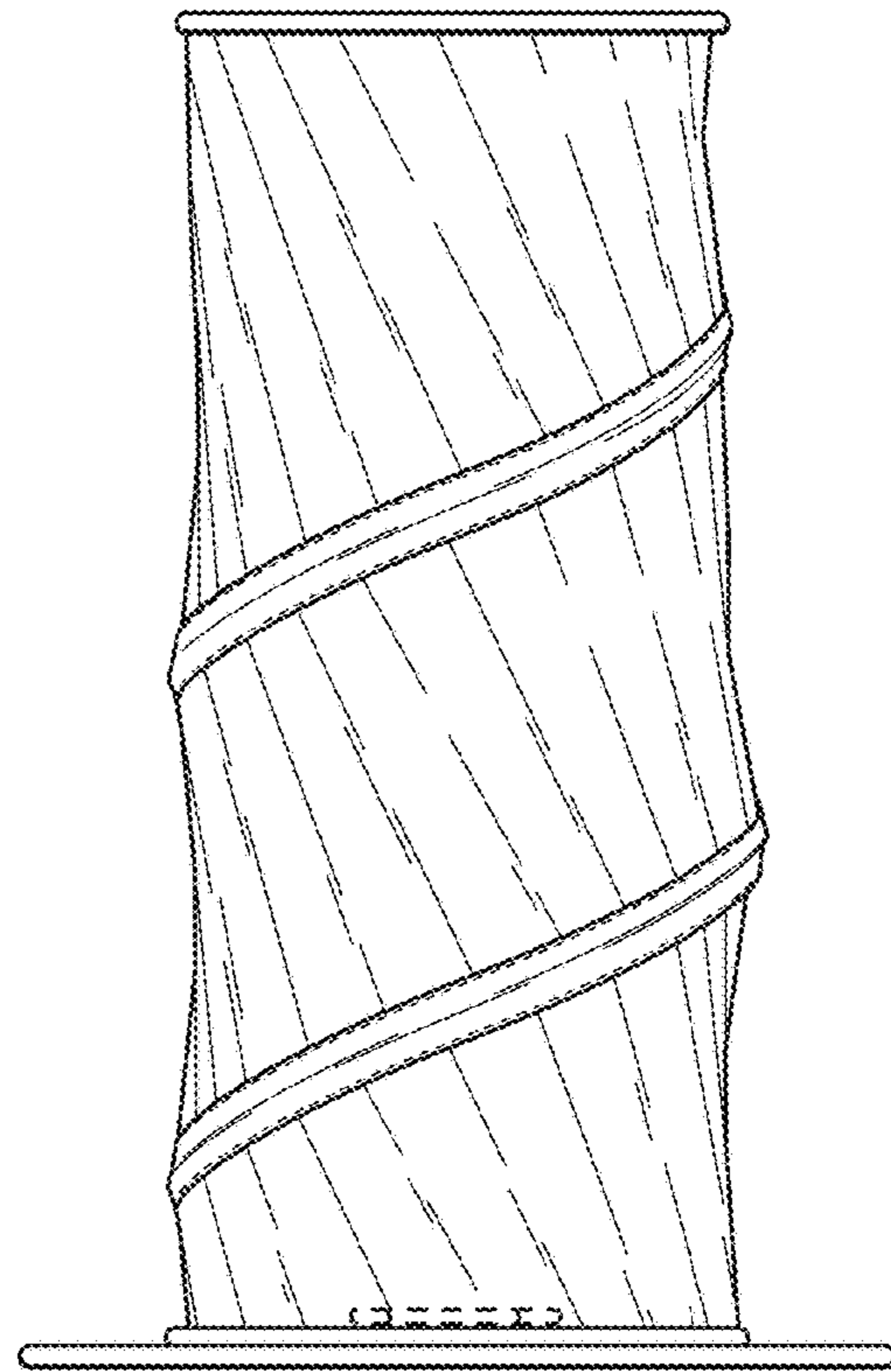


**FIG. 2**

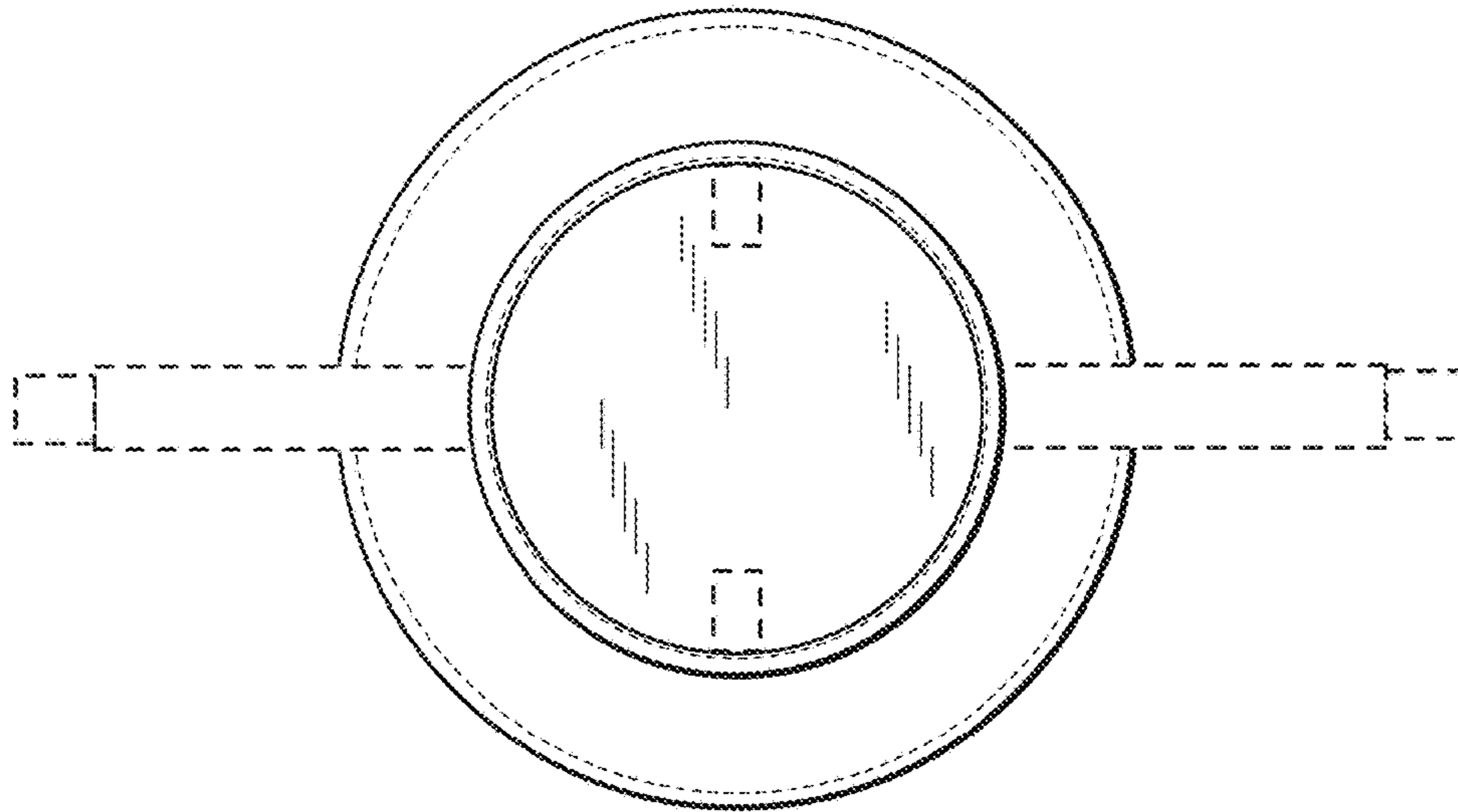


**FIG. 3**

**FIG. 4**



**FIG. 5**



**FIG. 6**

