

US00D828678S

(12) **United States Design Patent**
Noches

(10) **Patent No.:** **US D828,678 S**

(45) **Date of Patent:** **** Sep. 18, 2018**

(54) **DRESS**

D548,930 S * 8/2007 Gratkowski D2/796
D698,120 S * 1/2014 Yoo D2/756
D746,025 S * 12/2015 Costanzo D2/851

(71) Applicant: **Liliana Noches**, North Bay Village, FL
(US)

(72) Inventor: **Liliana Noches**, North Bay Village, FL
(US)

(**) Term: **15 Years**

(21) Appl. No.: **29/578,885**

(22) Filed: **Sep. 26, 2016**

OTHER PUBLICATIONS

Lily Noches, Zyana Color Set 1, Publication date unknown, [site visited Feb. 24, 2018], Available on the Internet URL <https://lilynoches.myshopify.com/products/zyana-set-2?variant=25180589318>.*

* cited by examiner

Primary Examiner — Karen S Acker

Assistant Examiner — Steven B Reinholdt, Jr.

(74) *Attorney, Agent, or Firm* — Dunlap Bennett & Ludwig PLLC

Related U.S. Application Data

(63) Continuation-in-part of application No. 29/533,835, filed on Jul. 22, 2015.

(51) **LOC (11) Cl.** **02-02**

(52) **U.S. Cl.**
USPC **D2/796**

(58) **Field of Classification Search**
USPC D2/735, 741, 756, 757, 793, 796, 851,
D2/758, 845, 847; 2/70, 71, 73, 74, 105,
2/211
CPC A41D 15/00; A41D 1/14; A41D 1/22
See application file for complete search history.

(57) **CLAIM**

The ornamental design for a dress, as shown and described.

DESCRIPTION

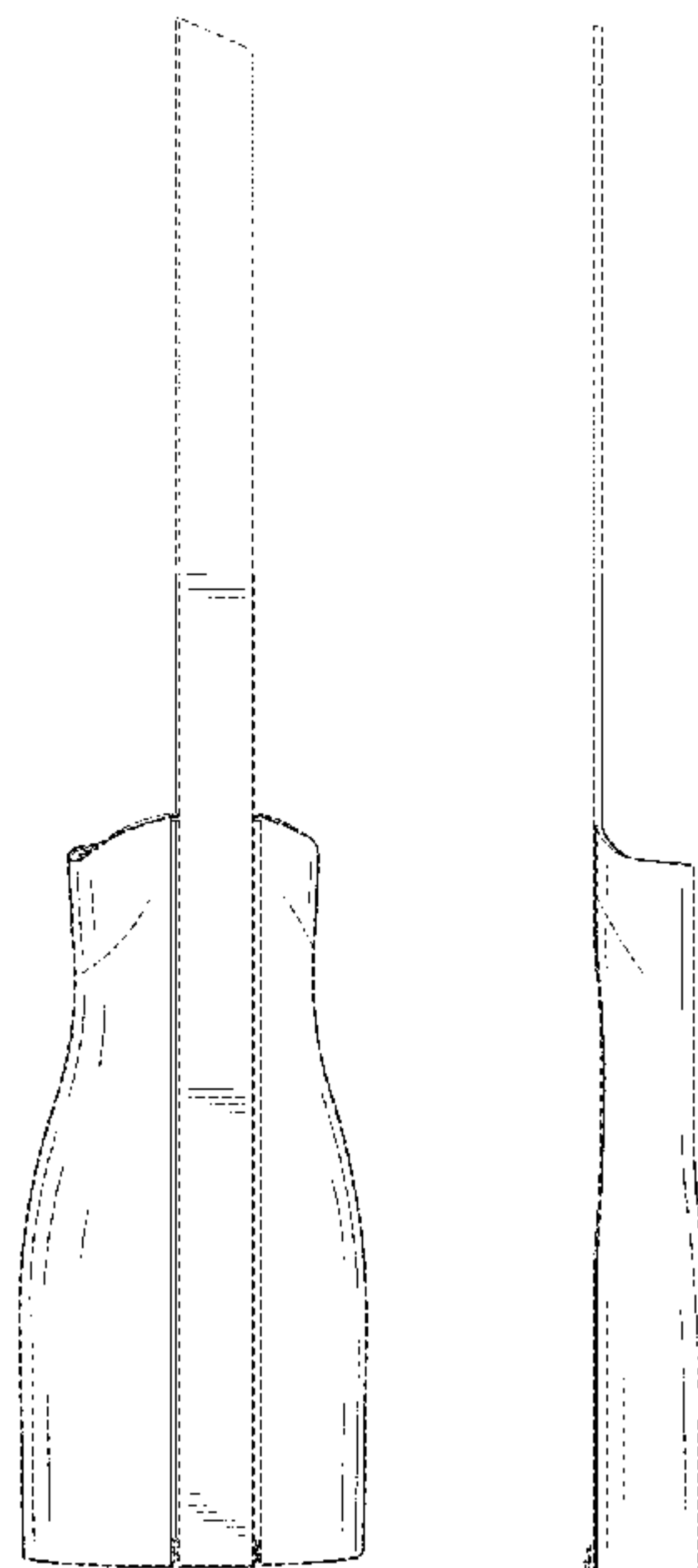
FIG. 1 is a front perspective view of a dress;
FIG. 2 is a front elevation view thereof;
FIG. 3 is a rear elevation view thereof;
FIG. 4 is a left elevation view thereof;
FIG. 5 is a right elevation view thereof;
FIG. 6 is a top plan view thereof;
FIG. 7 is a bottom plan view thereof; and,
FIG. 8 is a front perspective view of the dress, shown in use. The evenly dashed broken lines showing a wearer in FIG. 8 depict environmental subject matter that forms no part of the claimed design. The remaining evenly dashed broken lines shown in the drawings depict portions of the dress that form no part of the claimed design. The dash-dot-dash broken lines illustrate the bounds of the claimed design and form no part thereof.

(56) **References Cited**

U.S. PATENT DOCUMENTS

2,458,062 A * 1/1949 Davenport A41D 7/008
2/69
2,673,982 A * 4/1954 Mosen A41D 7/00
2/52
2,697,224 A * 12/1954 Aidenland A41B 9/08
2/218
D180,561 S * 7/1957 Mansueto D2/735
D187,419 S * 3/1960 Chapman D2/796

1 Claim, 4 Drawing Sheets



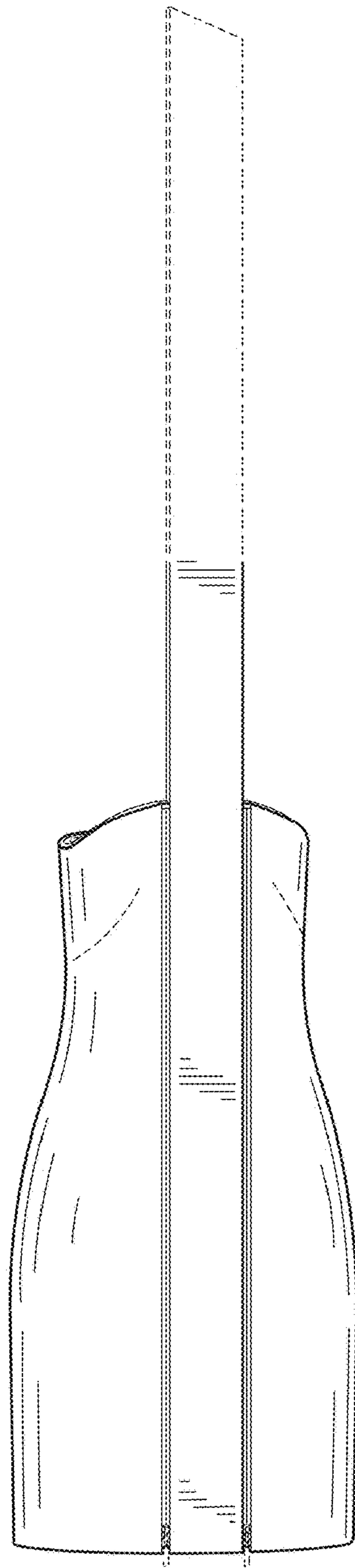


FIG. 1

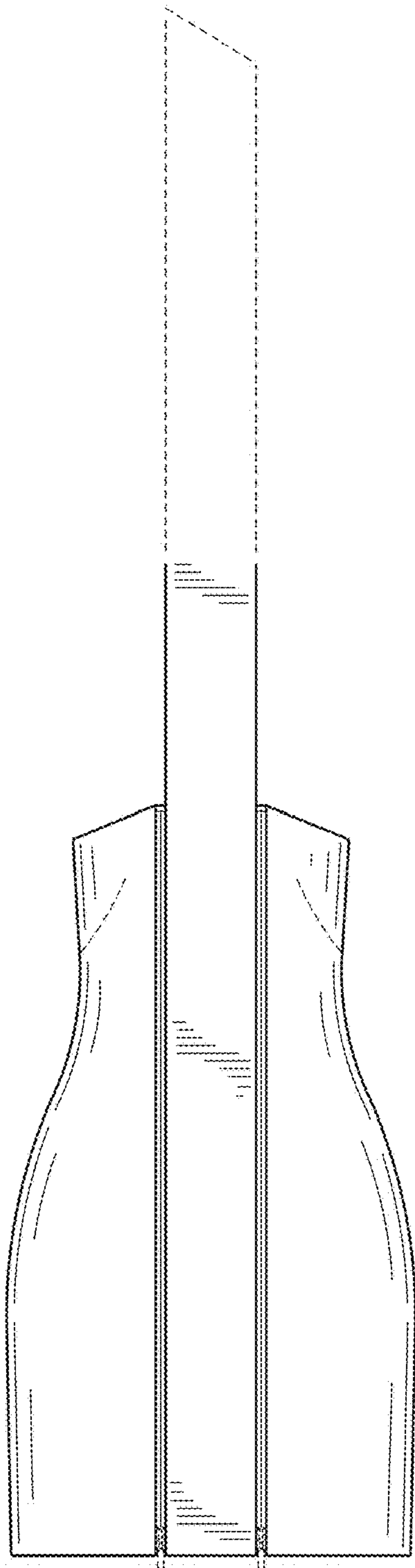


FIG. 2

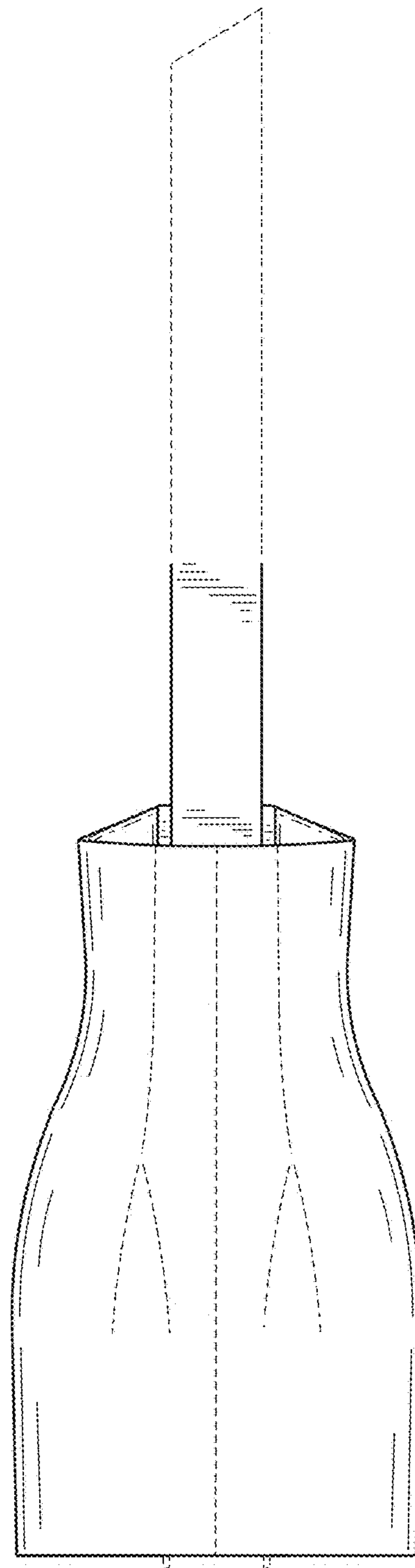


FIG. 3

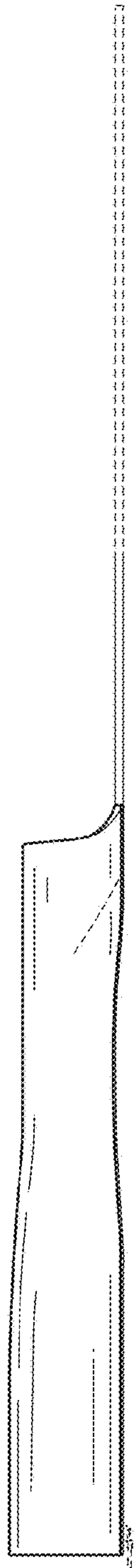


FIG. 4

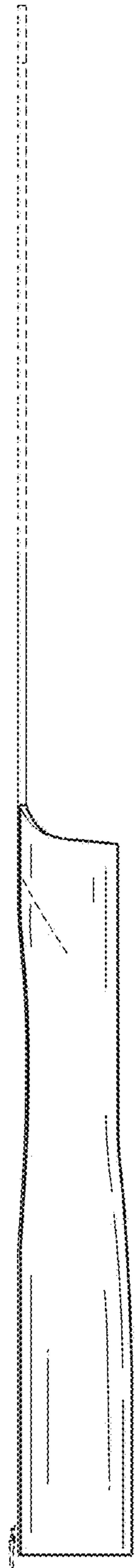


FIG. 5

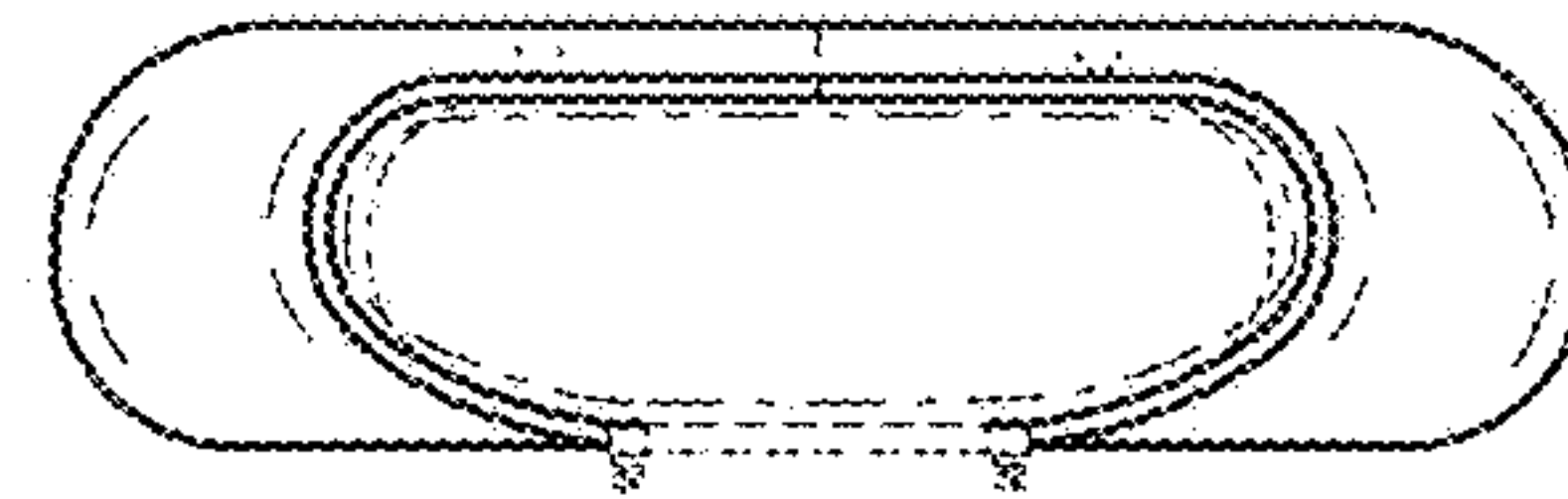


FIG. 6

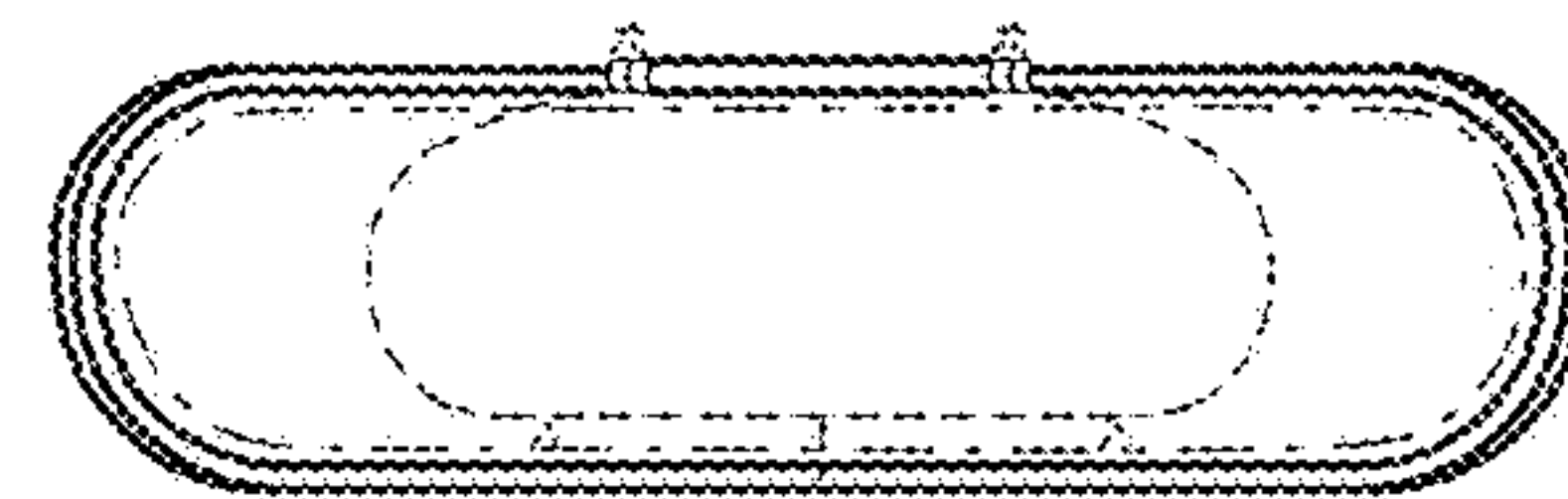


FIG. 7

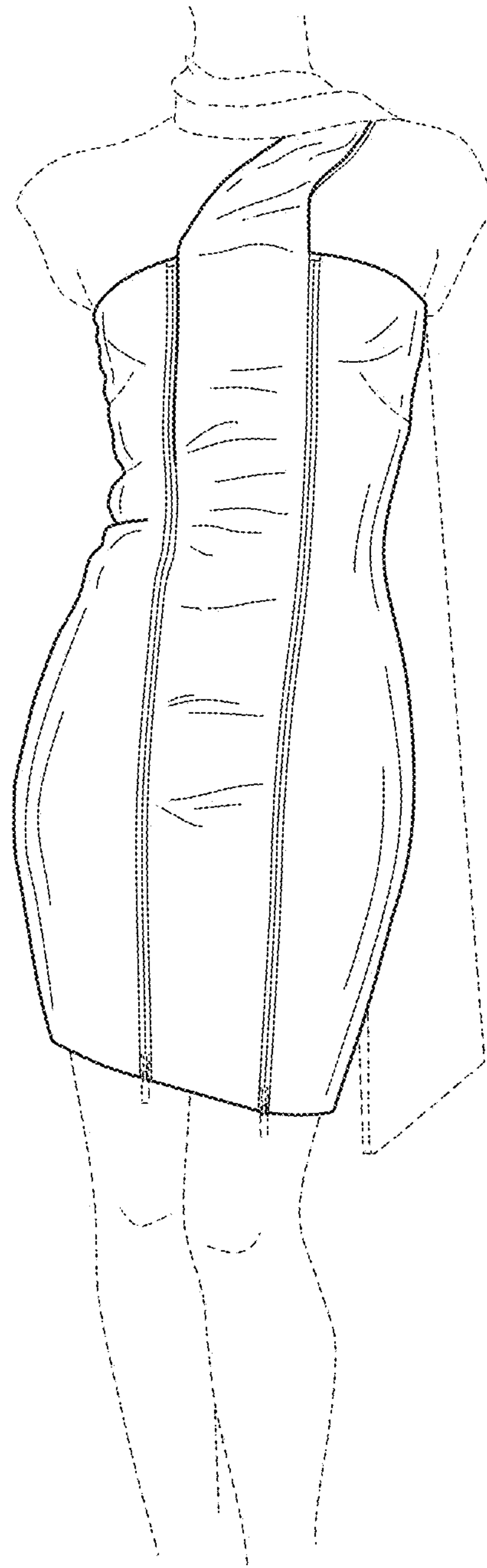


FIG. 8