



US00D828672S

(12) **United States Design Patent** (10) **Patent No.:** **US D828,672 S**
Lyytikäinen et al. (45) **Date of Patent:** **** Sep. 11, 2018**

(54) **GARDEN REEL**
 (71) Applicant: **Fiskars Oyj Abp**, Helsinki (FI)
 (72) Inventors: **Sami Lyytikäinen**, Helsinki (FI);
Petteri Masalin, Helsinki (FI);
Olli-Pekka Vänntilä, Helsinki (FI)
 (73) Assignee: **Fiskars Oyj Abp**, Helsinki (FI)

5,782,412 A 7/1998 Plantz et al.
 D404,286 S 1/1999 Plantz et al.
 D417,538 S * 12/1999 Tisbo D34/24
 D418,270 S * 12/1999 Tisbo D34/24
 6,234,418 B1 5/2001 Donaldson
 D448,651 S 10/2001 Kovacik et al.
 6,493,943 B1 12/2002 Linden
 D475,277 S 6/2003 Wu
 D479,979 S 9/2003 Kovacik et al.
 D483,235 S 12/2003 Deville

(Continued)

(**) Term: **15 Years**
 (21) Appl. No.: **29/576,789**
 (22) Filed: **Sep. 7, 2016**

(30) **Foreign Application Priority Data**
 Mar. 24, 2016 (EM) 003042084
 (51) **LOC (11) Cl.** **12-02**
 (52) **U.S. Cl.**
 USPC **D34/24**
 (58) **Field of Classification Search**
 USPC 242/395, 403.1; 280/33.991, 33.992,
 280/47.18, 47.26, 47.34; D34/12-15, 21,
 D34/24, 25-27; D8/356, 359
 CPC B62B 1/12; B62B 3/165; B62B 1/18
 See application file for complete search history.

(56) **References Cited**
 U.S. PATENT DOCUMENTS
 3,187,430 A 6/1965 Wallace et al.
 3,208,121 A 9/1965 Price
 D206,483 S 12/1966 Sharp
 D257,576 S 12/1980 Bobrovniczky
 D271,078 S 10/1983 Houghton
 D344,220 S 2/1994 Wensley et al.
 5,308,011 A * 5/1994 Roman B65H 75/403
 242/395
 D354,205 S 1/1995 Wensley et al.
 D374,166 S 10/1996 Czerwinski et al.
 D393,401 S 4/1998 Clivio

OTHER PUBLICATIONS

U.S. Appl. No. 29/543,169, filed Oct. 21, 2015, Fiskars Oyj Abp.
 U.S. Appl. No. 29/543,174, filed Oct. 21, 2015, Fiskars Oyj Abp.
 U.S. Appl. No. 29/572,314, filed Jul. 27, 2016, Fiskars Oyj Abp.

Primary Examiner — Cynthia Ramirez
Assistant Examiner — Michael A Maharajh
 (74) *Attorney, Agent, or Firm* — Foley & Lardner LLP

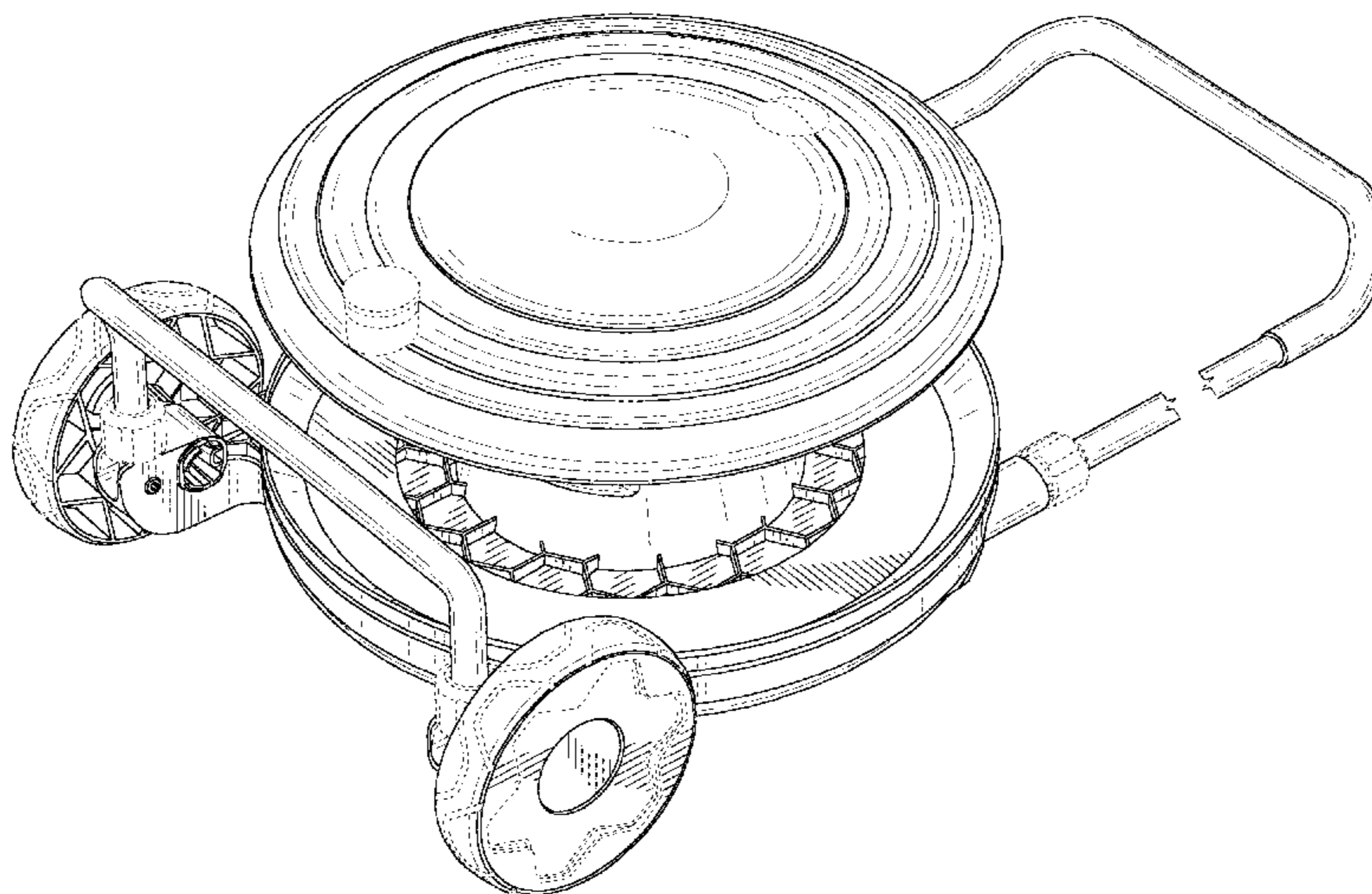
(57) **CLAIM**

The ornamental design for a garden reel, as shown and described.

DESCRIPTION

FIG. 1 is a front, lower perspective view of a garden reel showing our new design;
 FIG. 2 is a bottom view thereof;
 FIG. 3 is a top side view thereof;
 FIG. 4 is a right side view thereof;
 FIG. 5 is a left side view thereof;
 FIG. 6 is a front view thereof; and,
 FIG. 7 is a rear view thereof.
 The broken lines in the drawings are the purpose of illustrating portions of a garden reel, which form no part of the claimed design. The handle of the garden reel is shown with a symbolic break in its length. The appearance of any portion of the article between the break lines forms no part of the claimed design.

1 Claim, 6 Drawing Sheets



(56)

References Cited

U.S. PATENT DOCUMENTS

D485,744 S	1/2004	Khubani		D652,193 S *	1/2012	Blaszczak	D34/24
6,789,324 B2	9/2004	Linden et al.		D654,648 S *	2/2012	Blaszczak	D34/24
D504,606 S	5/2005	Kovacik et al.		8,136,252 B2	3/2012	Linden et al.	
D511,294 S	11/2005	Kovacik et al.		D666,080 S	8/2012	Boehler	
D547,021 S *	7/2007	Stein	D34/17	D671,809 S	12/2012	Huang	
D563,773 S	3/2008	Pitcher et al.		D679,559 S	4/2013	Masalin et al.	
D575,842 S	8/2008	Jianwei		D715,114 S	10/2014	Lyytikainen et al.	
D576,248 S	9/2008	Jianwei		D715,607 S	10/2014	Lyytikainen et al.	
D584,937 S	1/2009	Kovacik et al.		D717,133 S	11/2014	Lyytikainen et al.	
D589,329 S	3/2009	Plunk et al.		D717,134 S	11/2014	Lyytikainen et al.	
D595,121 S	6/2009	Murphy		D720,212 S	12/2014	Gonzalez et al.	
7,654,484 B2	2/2010	Mogensen et al.		D722,479 S	2/2015	Lyytikainen et al.	
D622,112 S	8/2010	Goetz et al.		D737,669 S	9/2015	Anderson et al.	
D637,067 S	5/2011	Bauck et al.		D754,526 S	4/2016	Sha et al.	
D646,039 S *	9/2011	Franchini	D34/24	2003/0038209 A1	2/2003	Remeczky	
D652,191 S *	1/2012	Arcati	D34/24	2004/0188558 A1 *	9/2004	Moon	B65H 75/403 242/403.1
D652,192 S *	1/2012	Blaszczak	D34/24	2011/0309182 A1 *	12/2011	Franchini	B65H 75/403 242/403.1

* cited by examiner

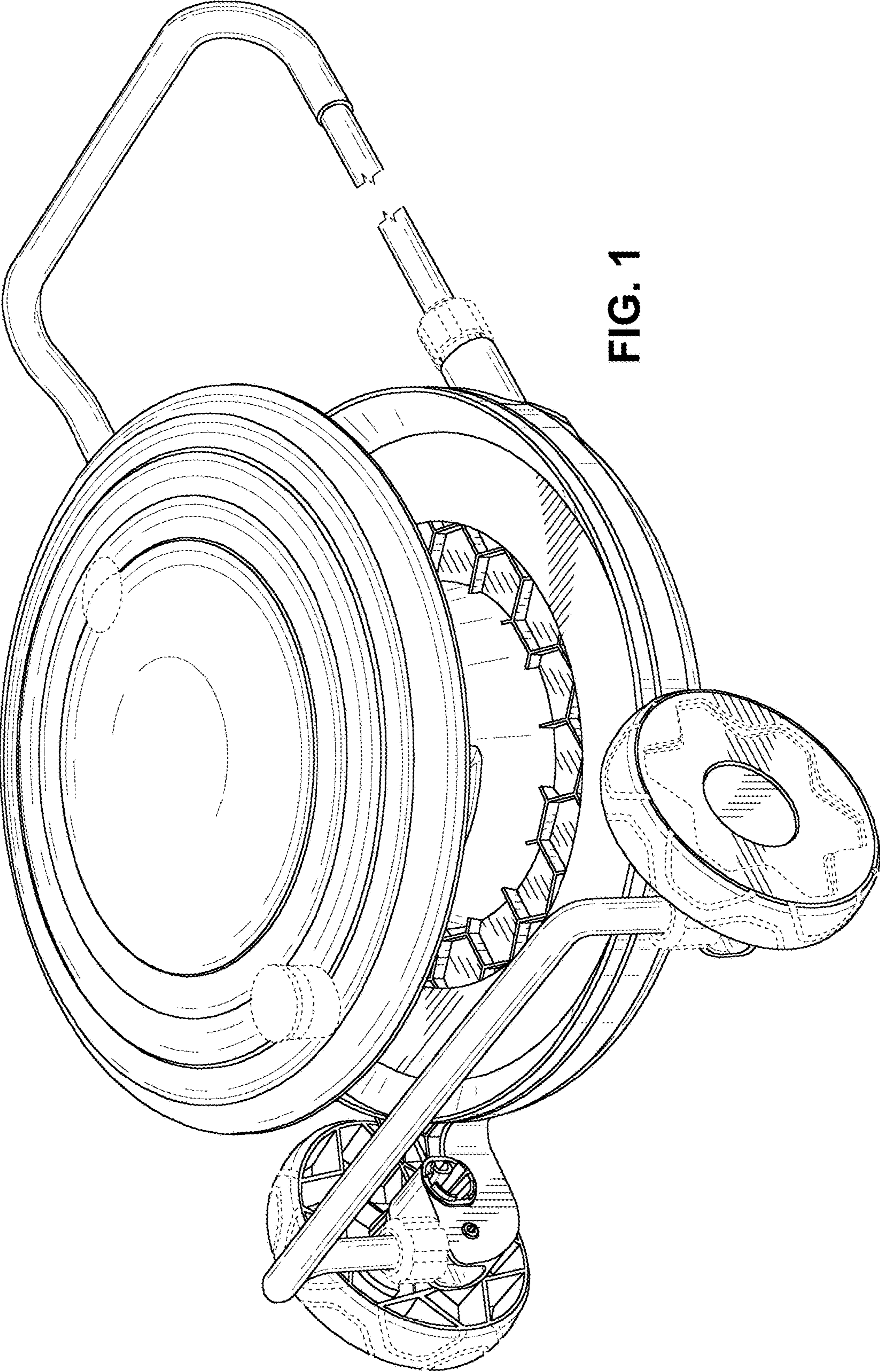


FIG. 1

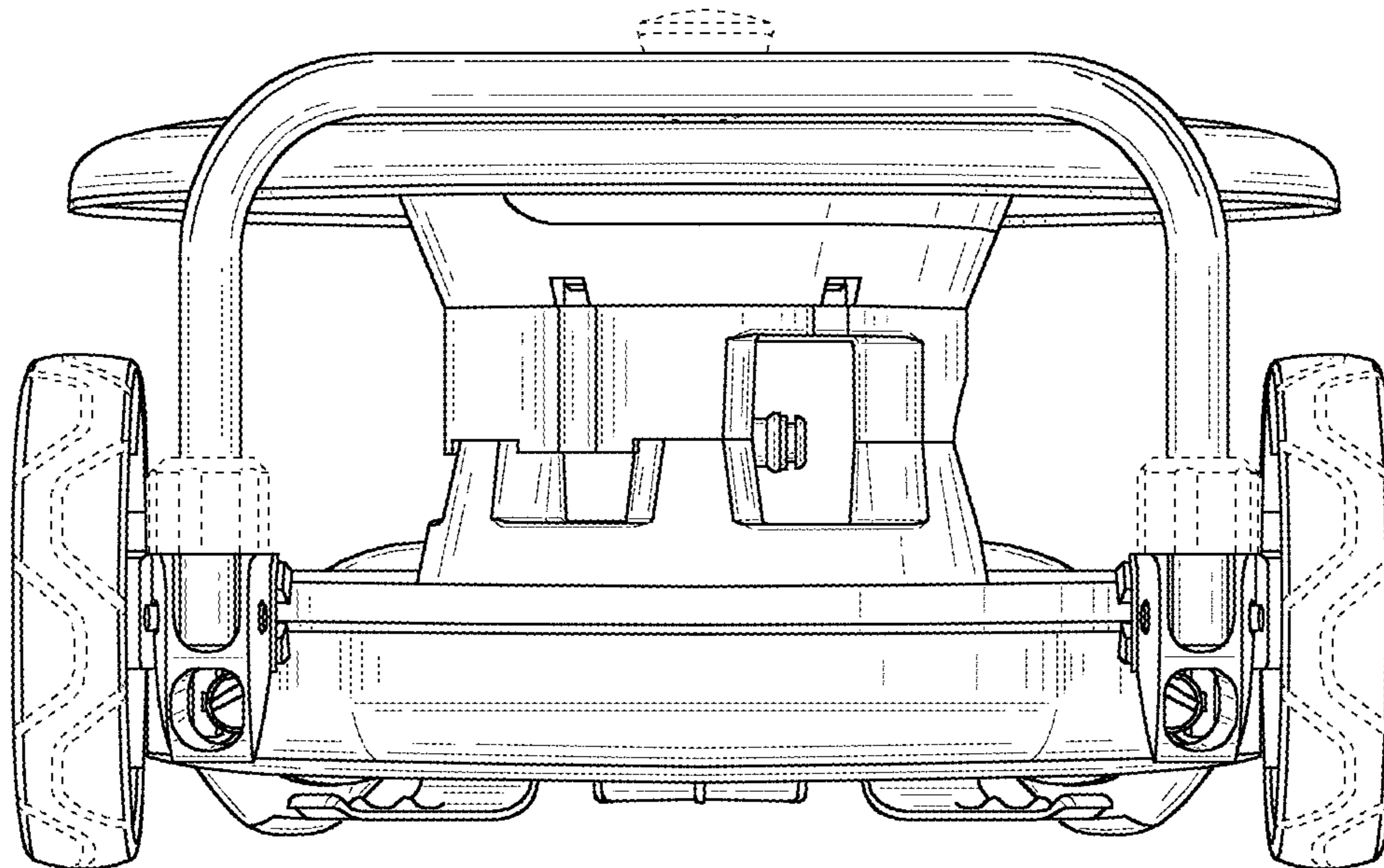


FIG. 2

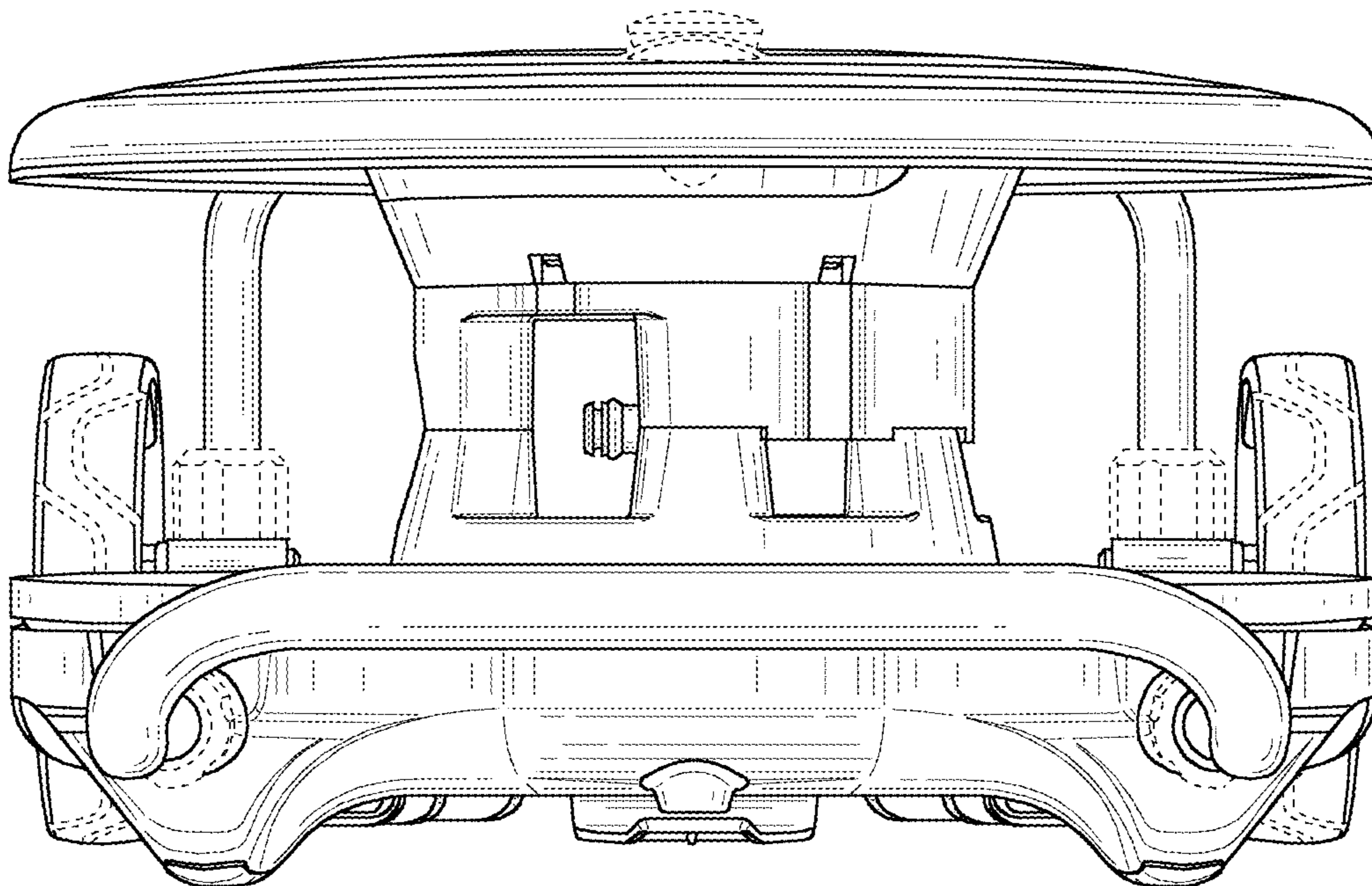


FIG. 3

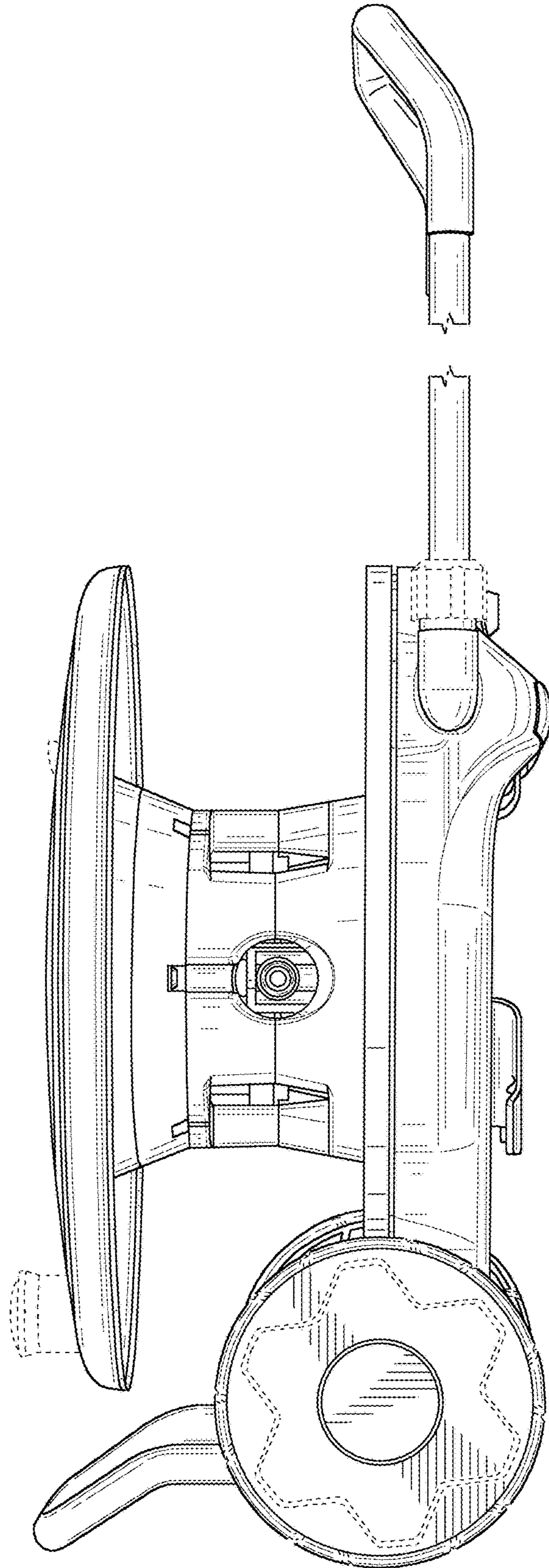


FIG. 4

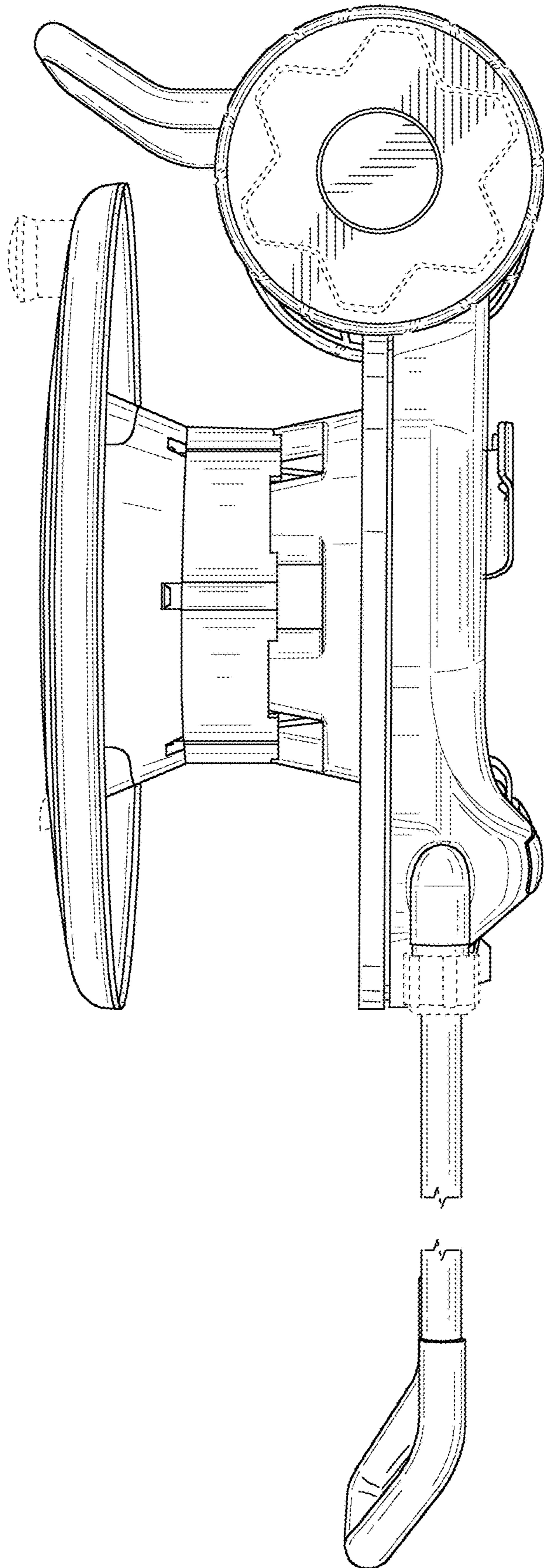


FIG. 5

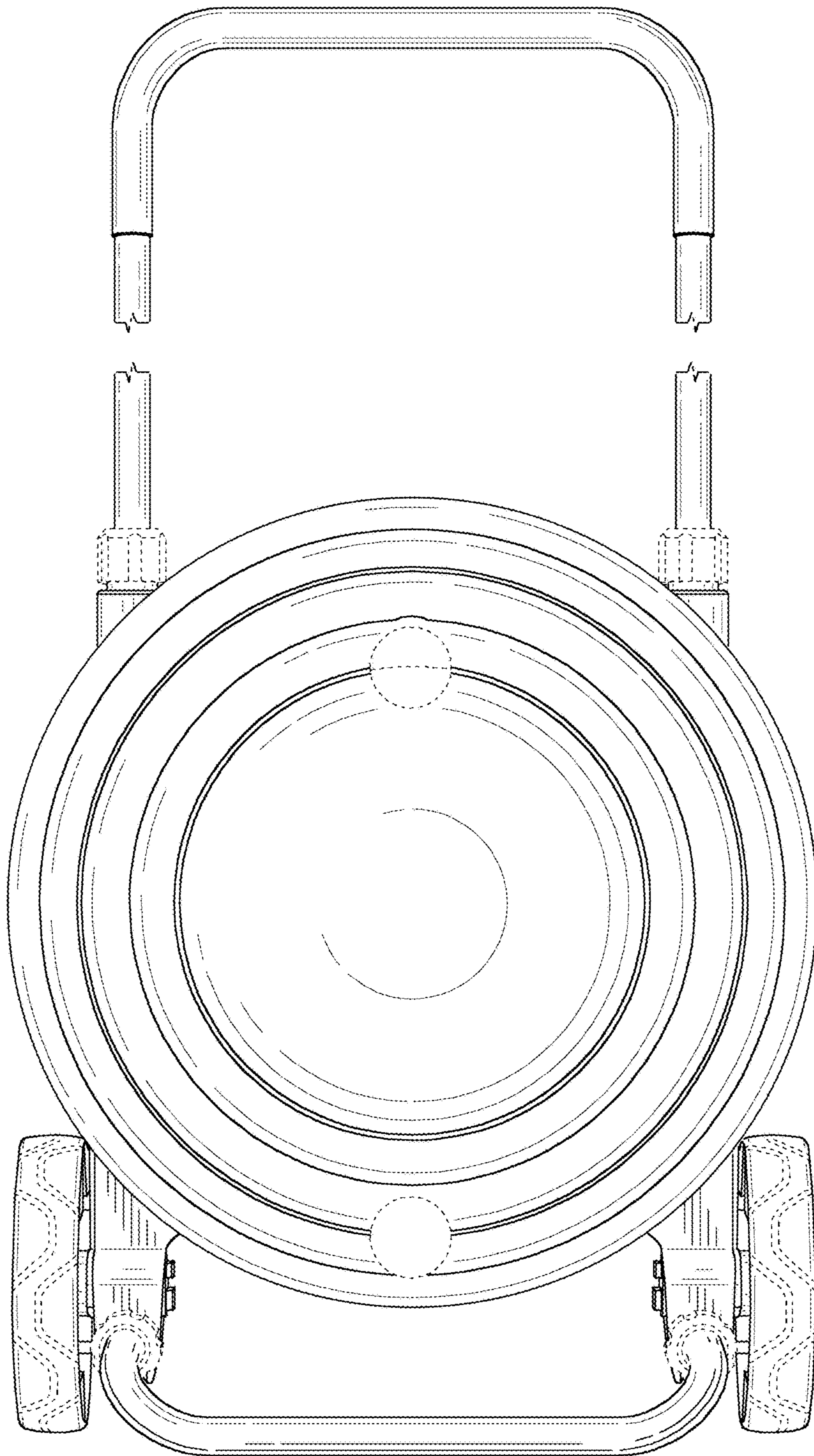


FIG. 6

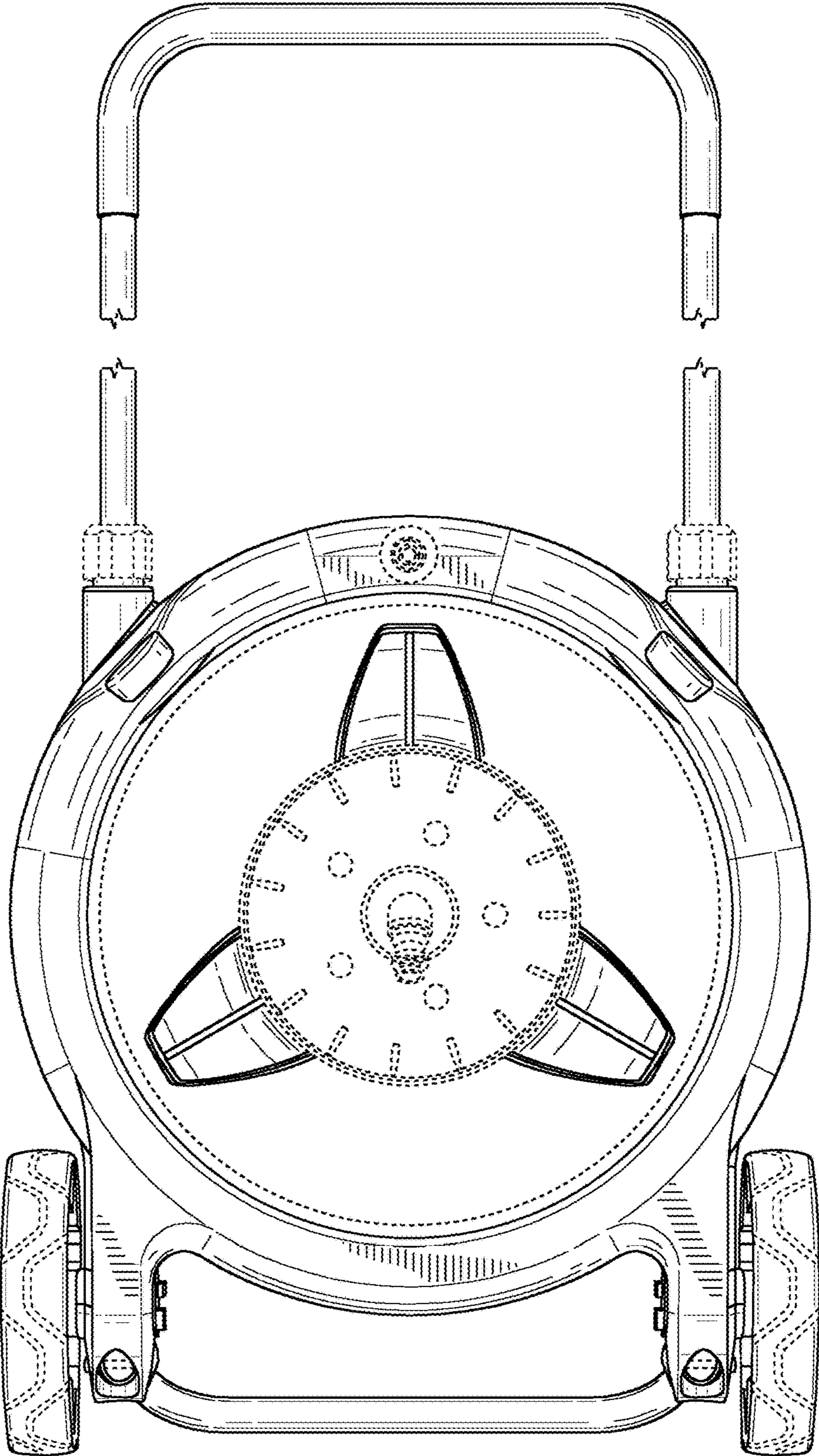


FIG. 7