



US00D828670S

(12) **United States Design Patent** (10) **Patent No.:** **US D828,670 S**  
**Hirtz** (45) **Date of Patent:** **\*\* Sep. 11, 2018**

(54) **MOTORIZED CART**

(71) Applicant: **Douglas Hirtz**, Fremont, MI (US)

(72) Inventor: **Douglas Hirtz**, Fremont, MI (US)

(73) Assignee: **Douglas C. Hirtz**, Fremont, MI (US)

(\*\*) Term: **15 Years**

(21) Appl. No.: **29/614,509**

(22) Filed: **Aug. 21, 2017**

(51) **LOC (11) Cl.** ..... **12-02**

(52) **U.S. Cl.**  
 USPC ..... **D34/18**

(58) **Field of Classification Search**  
 USPC ..... D34/12, 16-18, 20-24, 26, 27;  
 280/33.993, 33.992, 33.991, 47.35;  
 180/19.1, 65.1; 232/43.2  
 CPC .. B62B 5/06; B62B 3/02; B62B 11/00; B62B  
 3/14; B62B 3/144; B62B 3/022; B62B  
 3/18  
 See application file for complete search history.

3,241,750 A \* 3/1966 Brighton ..... B65F 1/06  
 232/43.2

5,149,125 A \* 9/1992 Gray ..... B62B 1/12  
 280/47.35

5,306,028 A \* 4/1994 Pike ..... A63F 11/0002  
 280/47.35

5,704,496 A \* 1/1998 Latta ..... B25H 3/04  
 211/70.6

8,256,777 B2 \* 9/2012 Deal ..... B62B 3/1472  
 280/33.992

2007/0085285 A1 \* 4/2007 Lindsay ..... B62B 3/001  
 280/47.34

\* cited by examiner

*Primary Examiner* — Cynthia Ramirez  
*Assistant Examiner* — Gino Colan

(57) **CLAIM**

I claim the ornamental design of a motorized cart, as shown and described.

**DESCRIPTION**

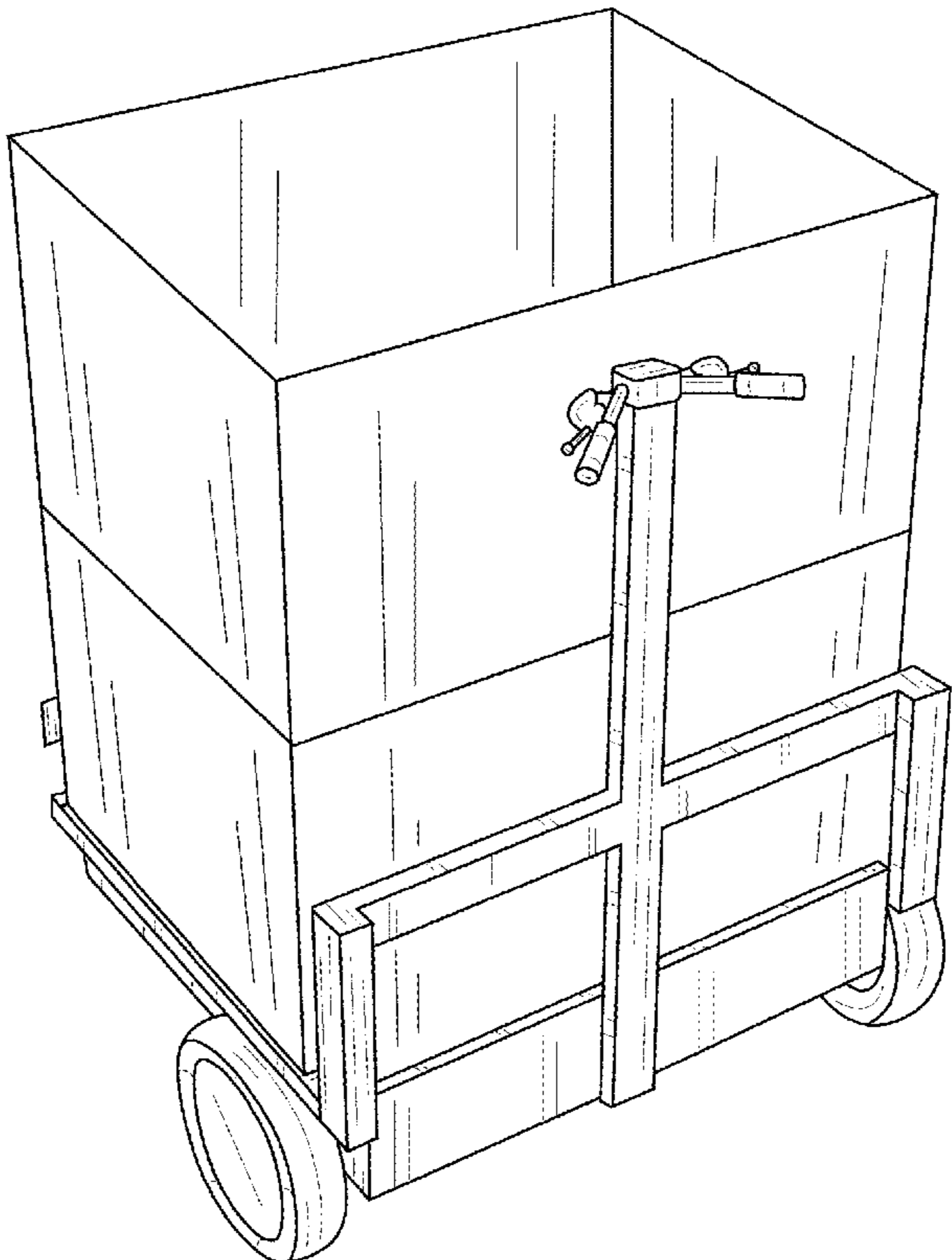
FIG. 1 is a right rear top perspective view of a motorized cart.  
 FIG. 2 is a left front top perspective view of a motorized cart.  
 FIG. 3 is a back view of a motorized cart.  
 FIG. 4 is a front view of a motorized cart.  
 FIG. 5 is a left-side view of a motorized cart; and,  
 FIG. 6 is a right-side view of a motorized cart.

(56) **References Cited**

U.S. PATENT DOCUMENTS

D115,352 S \* 6/1939 Scudder ..... D34/18  
 D158,876 S \* 6/1950 Lowell ..... D34/18

**1 Claim, 6 Drawing Sheets**



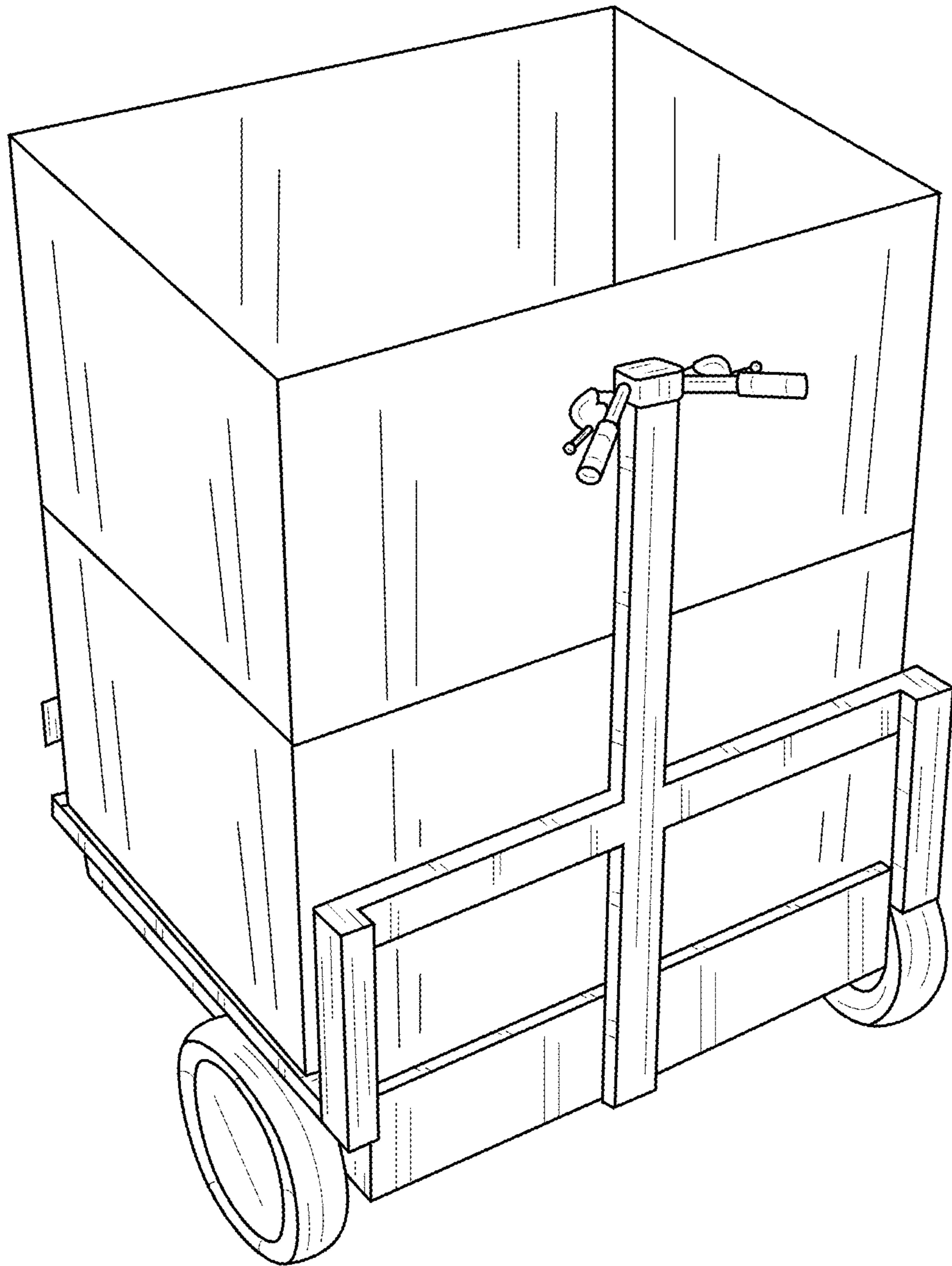


FIG.1

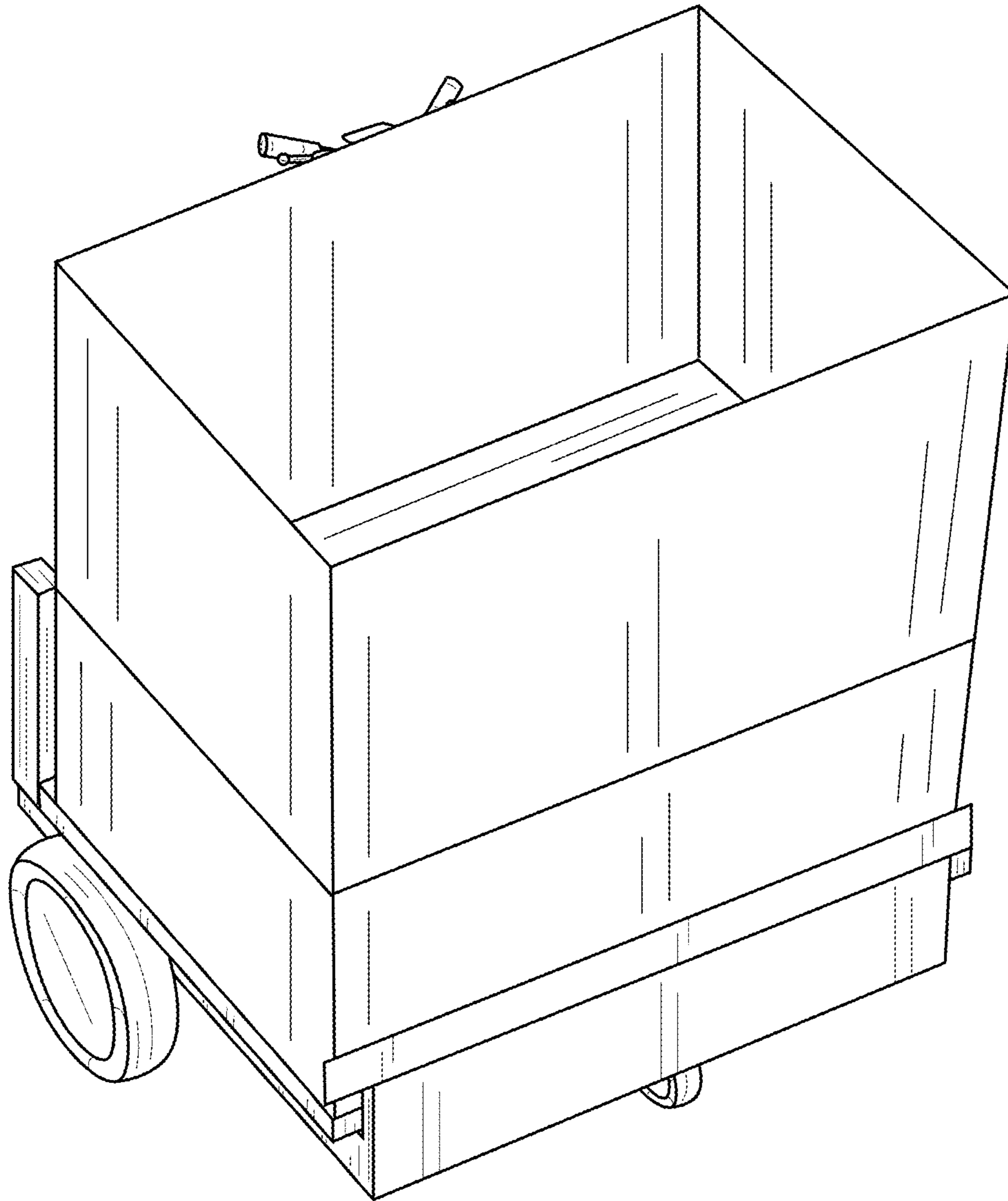


FIG.2

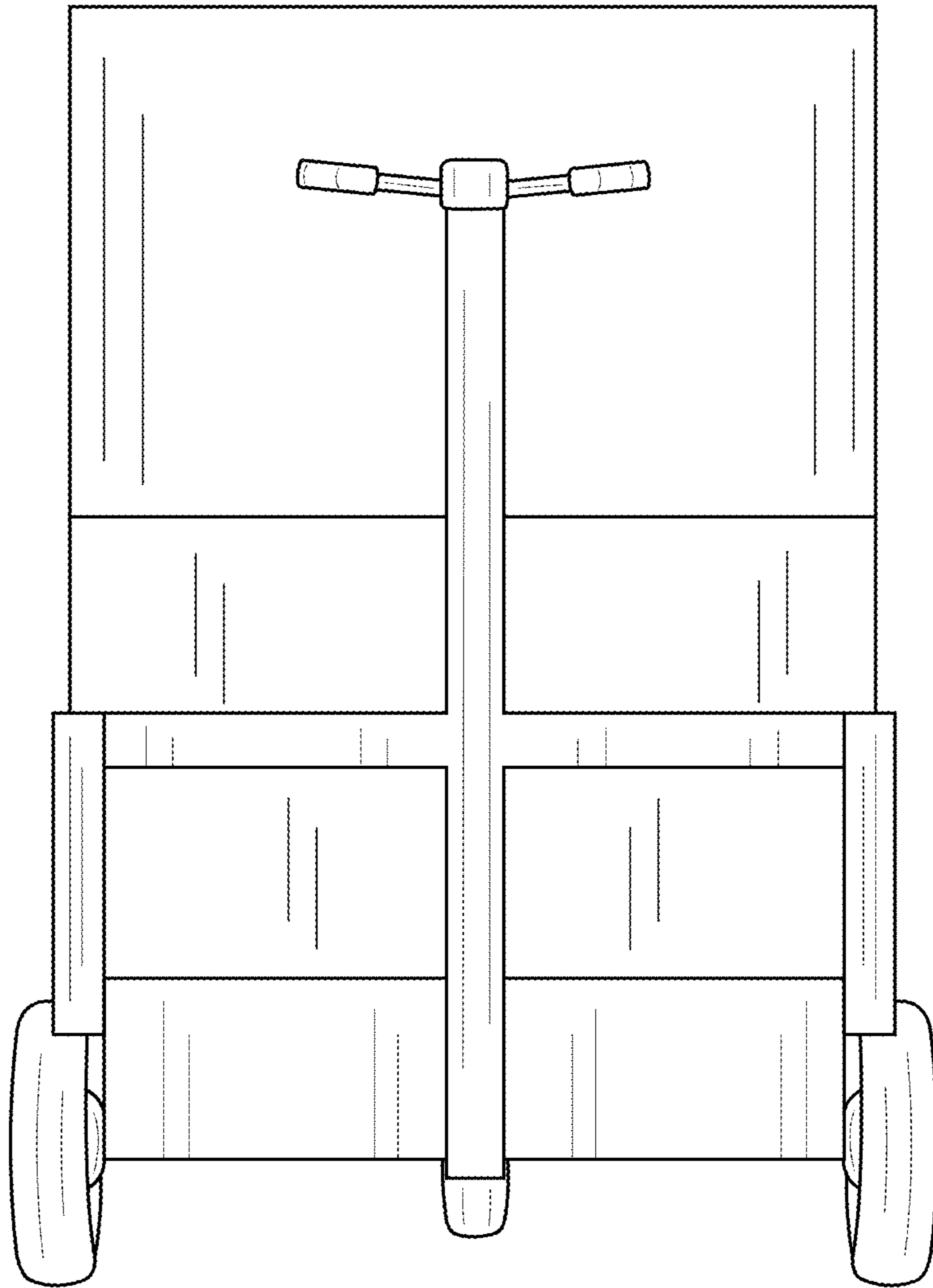


FIG.3

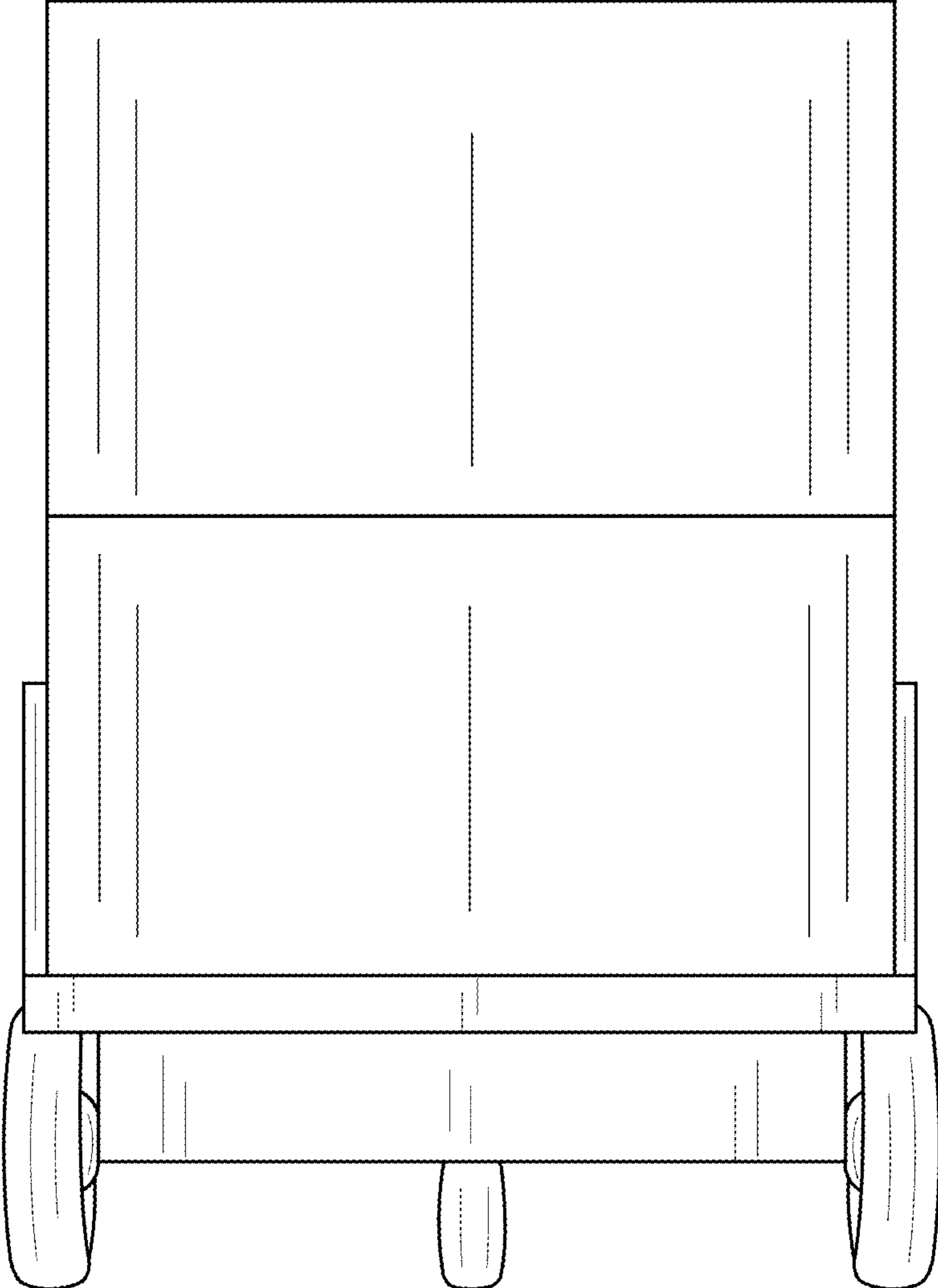


FIG.4

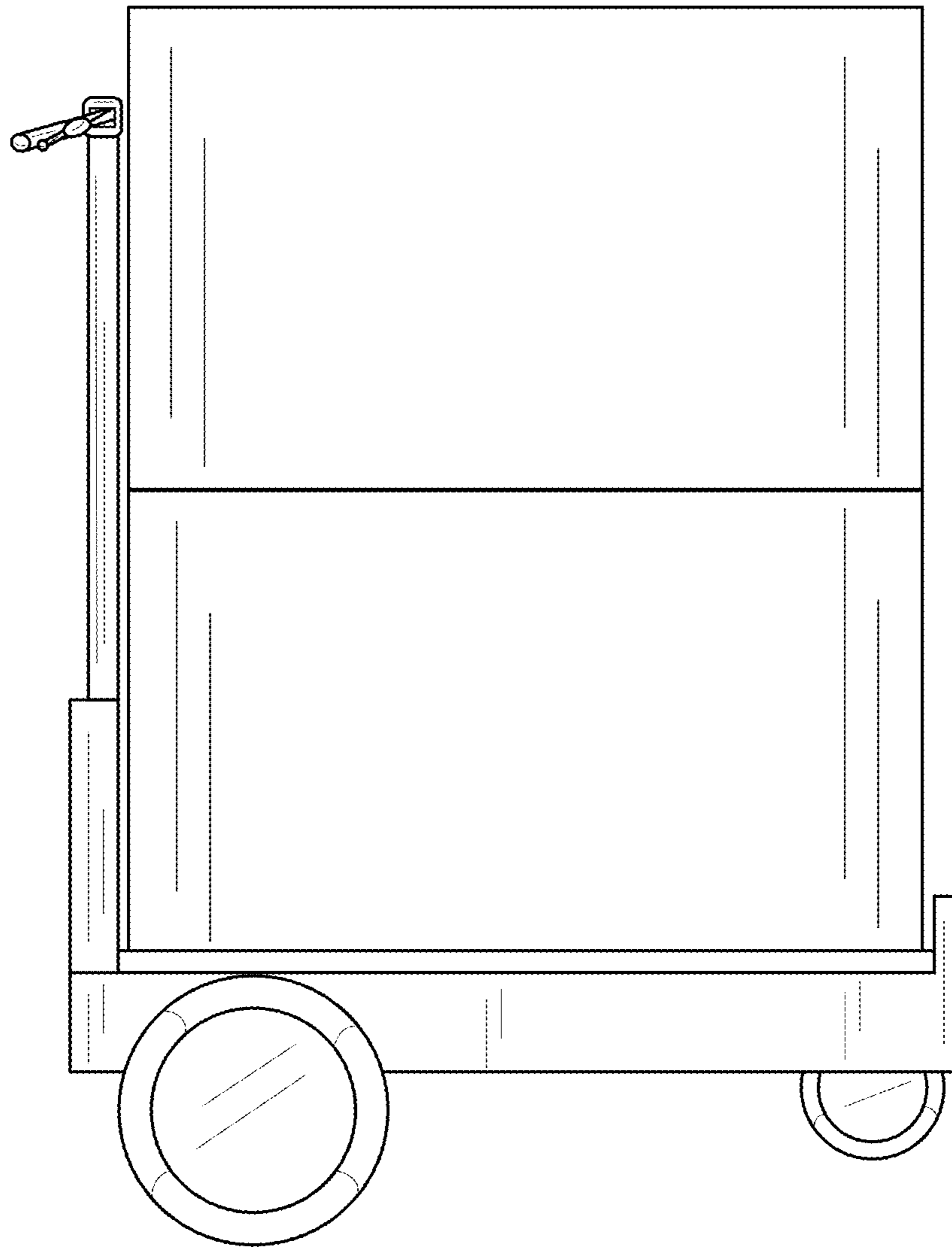


FIG.5

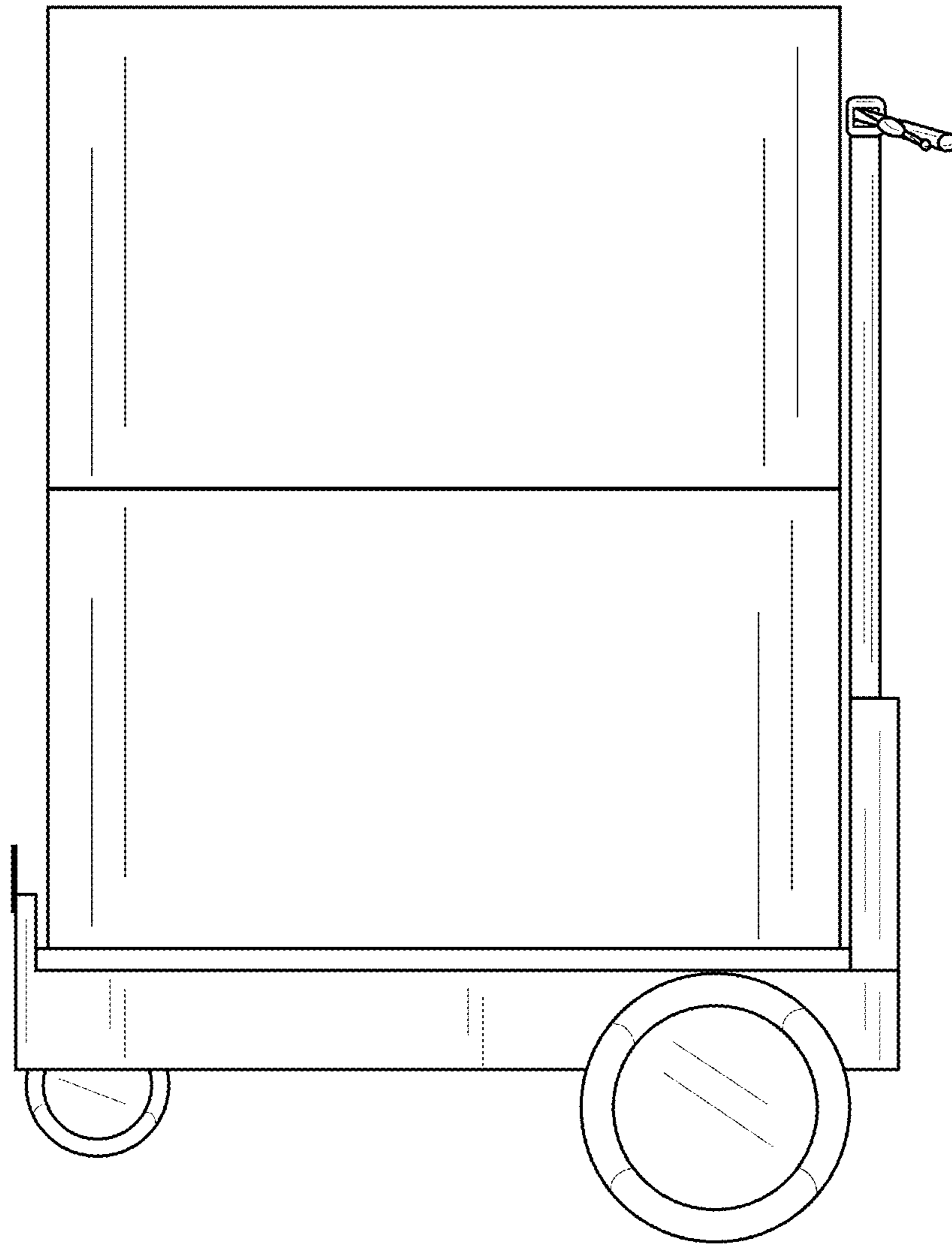


FIG.6