

US00D828667S

(12) **United States Design Patent**
Xiaobing et al.

(10) **Patent No.:** **US D828,667 S**
(45) **Date of Patent:** **** Sep. 11, 2018**

(54) **POWER MOP**

FOREIGN PATENT DOCUMENTS

(71) Applicants: **Zhang Xiaobing**, Suzhou (CN); **Robert A. Gardner**, Chapel Hill, NC (US)

CN 304142422 * 5/2016
CN 304017426 * 1/2017
EM 002574939-0001 * 1/2015

(72) Inventors: **Zhang Xiaobing**, Suzhou (CN); **Robert A. Gardner**, Chapel Hill, NC (US)

OTHER PUBLICATIONS

(73) Assignee: **Wessol LLC**, Fort Mill, SC (US)

Amazon.com: Black+Decker Power Mop, https://www.amazon.com/Black-Decker-PM1000-Power-Mop/dp/B000HX1MD4/ref=sr_11_1?ie=UTF8&qid=1207536400&sr=11-1, site visited Jun. 24, 2018 (Year: 2018).*

(**) Term: **15 Years**

(21) Appl. No.: **29/608,516**

Primary Examiner — John Windmuller
Assistant Examiner — John R Yeh

(22) Filed: **Jun. 22, 2017**

(51) **LOC (11) Cl.** **07-05**

(74) *Attorney, Agent, or Firm* — Shumaker, Loop & Kendrick, LLP

(52) **U.S. Cl.**
USPC **D32/45**

(58) **Field of Classification Search**
USPC D32/15, 40, 45, 50-52; D4/130-133
CPC . A47L 13/10; A47L 13/20; A47L 7/00; A47L 5/24; A47L 13/16; A47L 13/12; B32B 27/04; A01D 7/06
See application file for complete search history.

(57) **CLAIM**

We claim the ornamental design for a power mop, as shown and described.

(56) **References Cited**

U.S. PATENT DOCUMENTS

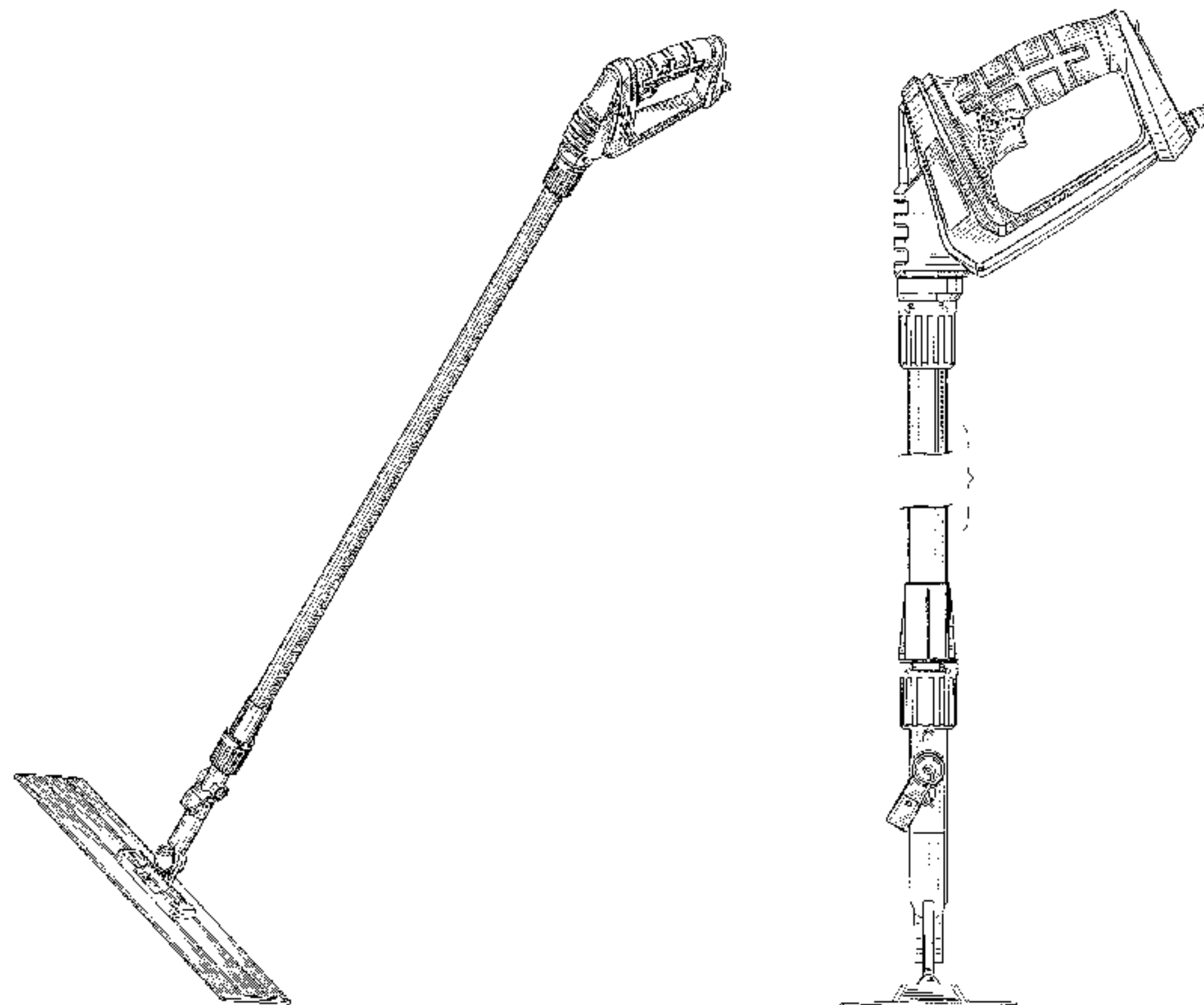
DESCRIPTION

3,593,359	A *	7/1971	Strauss	A47L 13/20 15/229.8
D287,173	S *	12/1986	Libman	D32/45
4,971,471	A *	11/1990	Sloan	
D358,238	S *	5/1995	Barnett	D32/40
5,455,980	A *	10/1995	Buchanan	A47L 13/24 15/147.2
D398,099	S *	9/1998	Leung	D32/22
6,394,683	B1	5/2002	Pao	
D466,786	S *	12/2002	Bourgeois	D8/107
D474,529	S *	5/2003	Sodemann	D23/223
6,854,912	B2	2/2005	Dyer et al.	
D556,008	S *	11/2007	Kerr	D23/223
D591,921	S *	5/2009	Rosenzweig	A47L 13/225 D32/45
D597,717	S *	8/2009	Rosenzweig	A47L 13/225 D32/45

FIG. 1 is a front perspective view of a first side of a power mop;
FIG. 2 is a perspective view of a second side thereof;
FIG. 3 is a broken-away perspective view of the power mop;
FIG. 4 is an elevation view of the first side of power mop of FIG. 1;
FIG. 5 is an elevation view of the second side thereof;
FIG. 6 is an enlarged broken-away side view of FIG. 3;
FIG. 7 is a front elevation view of the power mop of FIG. 1; and,
FIG. 8 is an enlarged broken-away front elevation view of the power mop of FIG. 3.
The mop is shown broken away for ease of disclosure only.

(Continued)

1 Claim, 7 Drawing Sheets



(56)

References Cited

U.S. PATENT DOCUMENTS

7,685,671	B2 *	3/2010	Jansen	A47L 7/0028 15/320
D656,283	S *	3/2012	Lavy	D32/45
D661,035	S *	5/2012	McGee	D32/45
D677,031	S *	2/2013	Best	D32/50
D685,968	S *	7/2013	Smith	D32/45
D692,193	S *	10/2013	Baars	D30/162
D700,761	S *	3/2014	Libman	D32/50
8,782,843	B2 *	7/2014	Ludtke	A47L 13/22 15/208
D732,766	S *	6/2015	Hughes	D32/25
D742,609	S *	11/2015	Irwin	D32/50
D764,732	S *	8/2016	Chei	D32/45
D765,331	S *	8/2016	Chei	D32/45
9,504,366	B2	11/2016	Kasper et al.		
9,574,764	B2	2/2017	Kowalski et al.		
D818,883	S *	5/2018	Lundh	D12/133
D819,907	S *	6/2018	Fair	A47L 13/22 D32/50
2003/0103795	A1	6/2003	Hollars et al.		
2004/0223803	A1 *	11/2004	Fahy	A47L 1/15 401/190

* cited by examiner

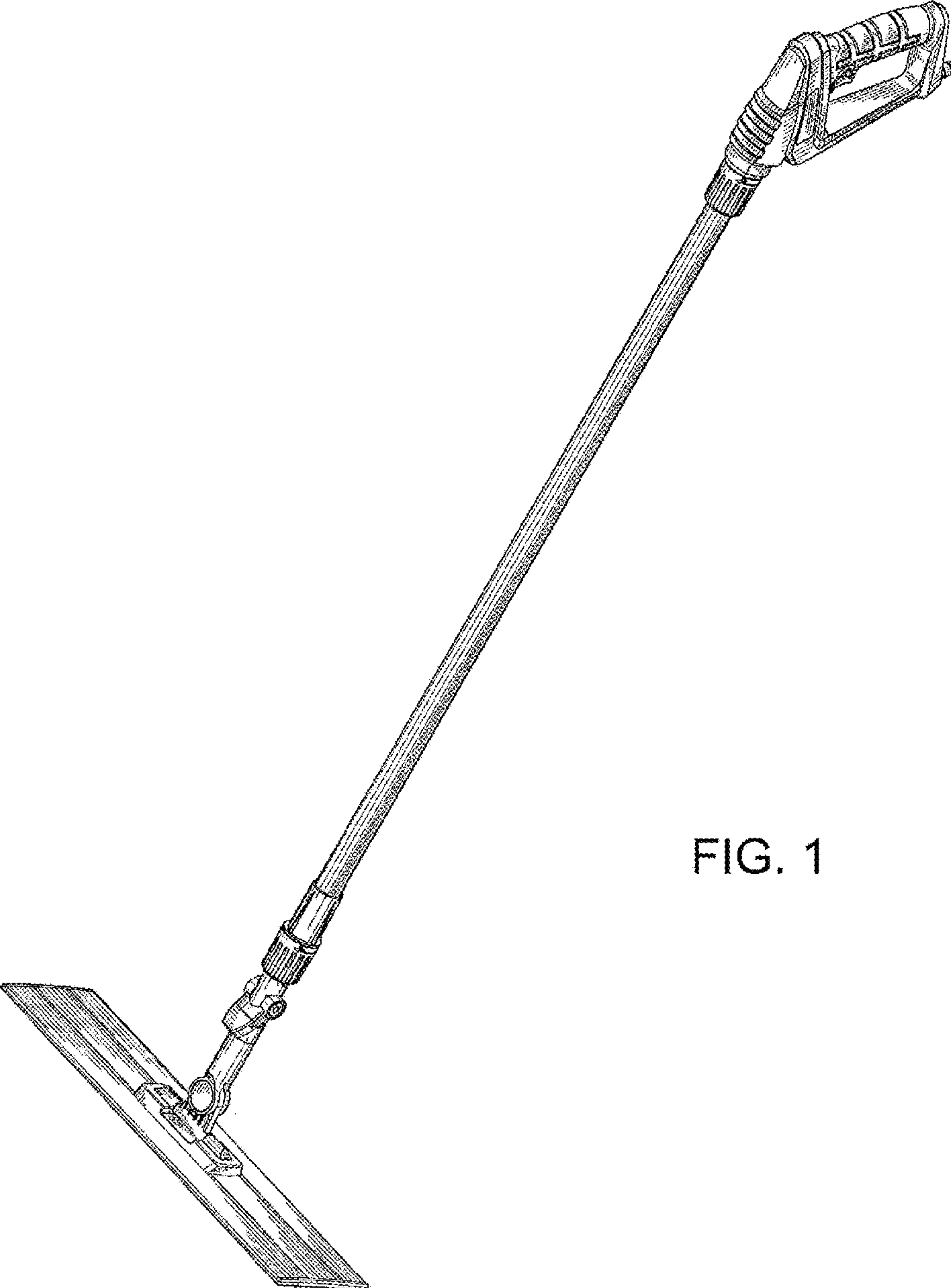


FIG. 1

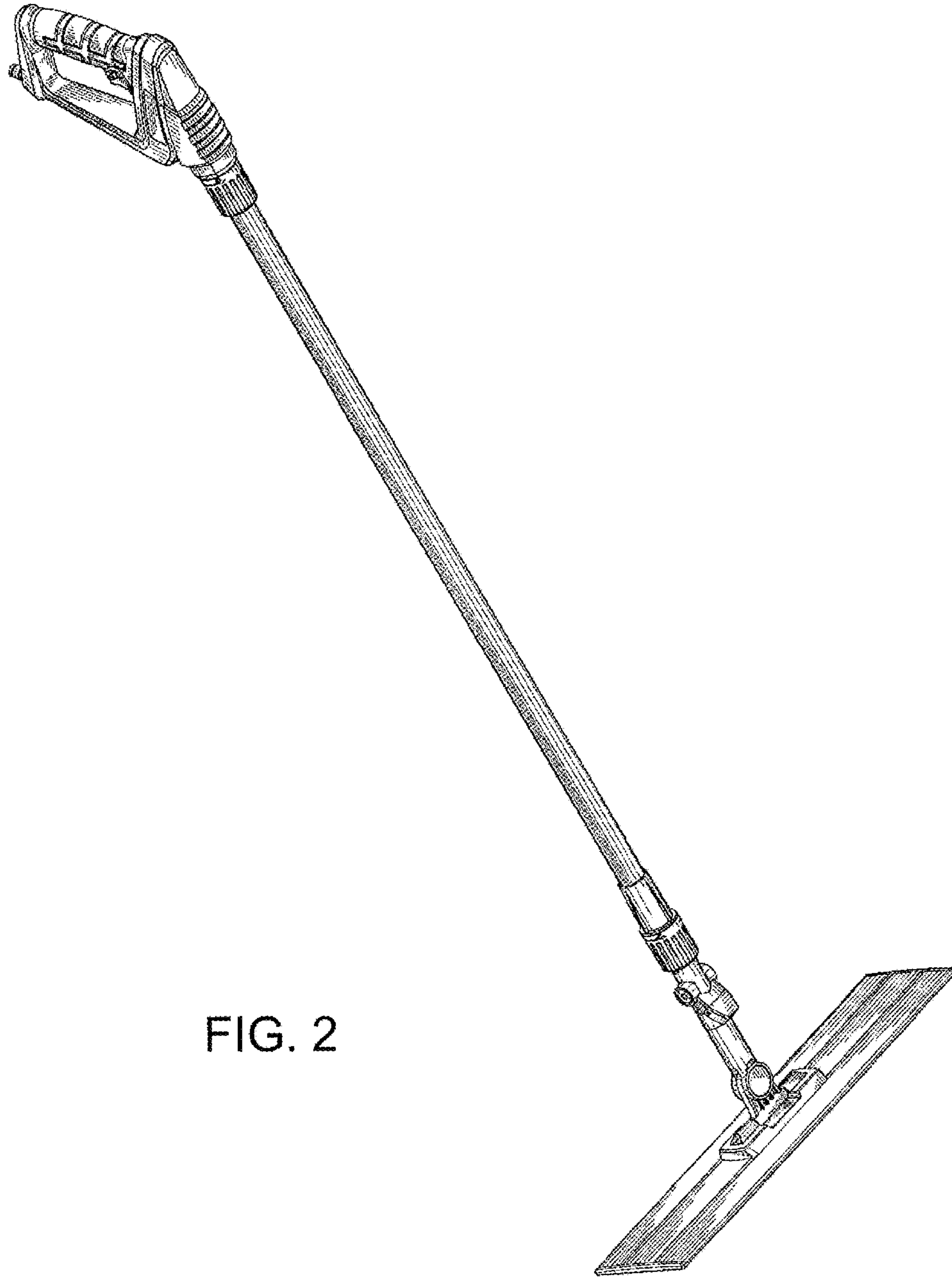


FIG. 2

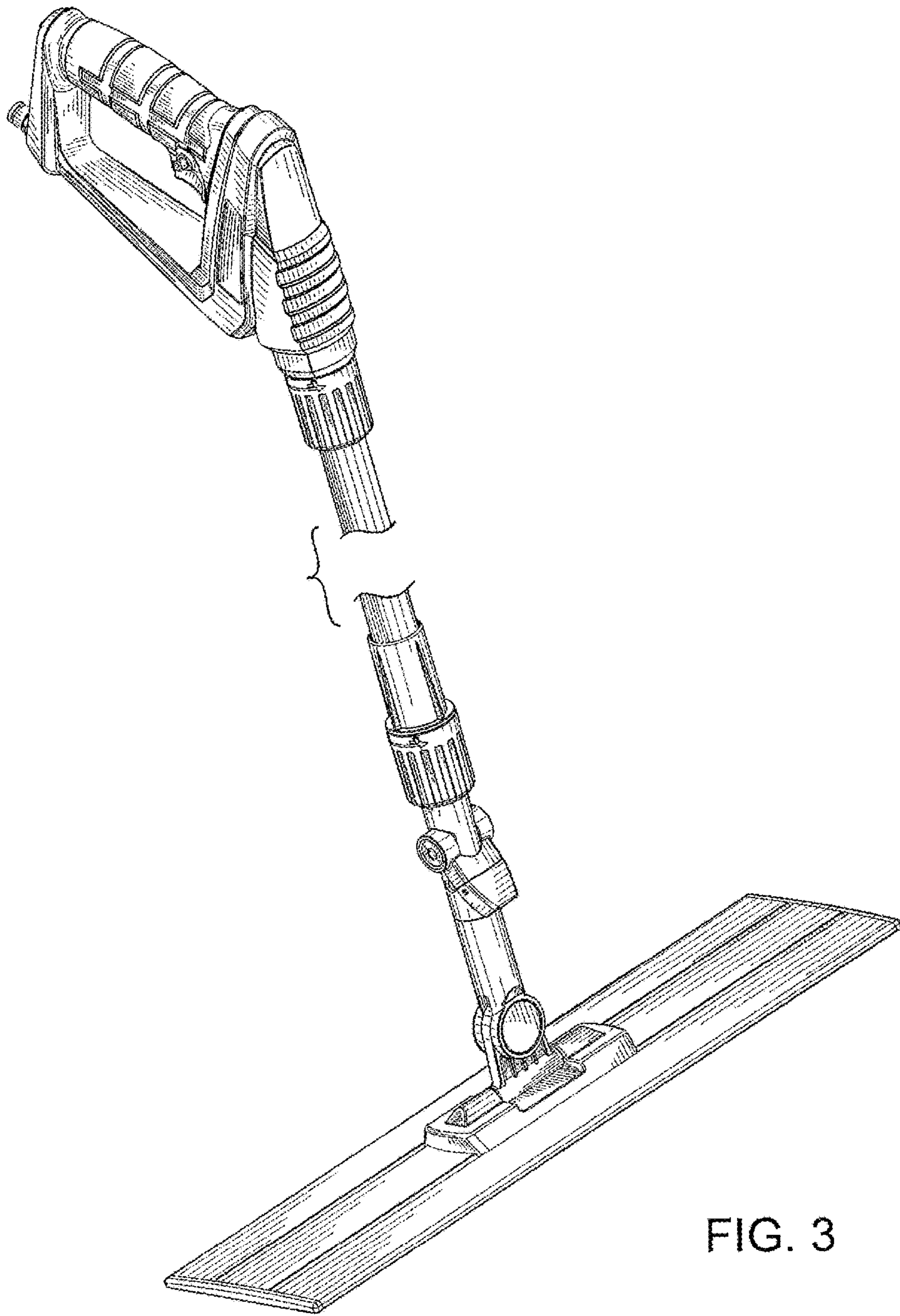


FIG. 3

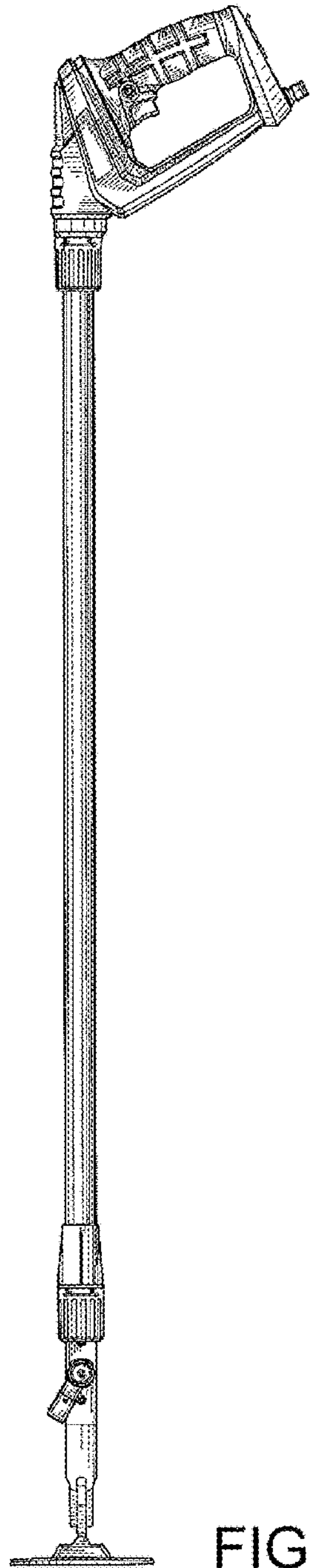


FIG. 4

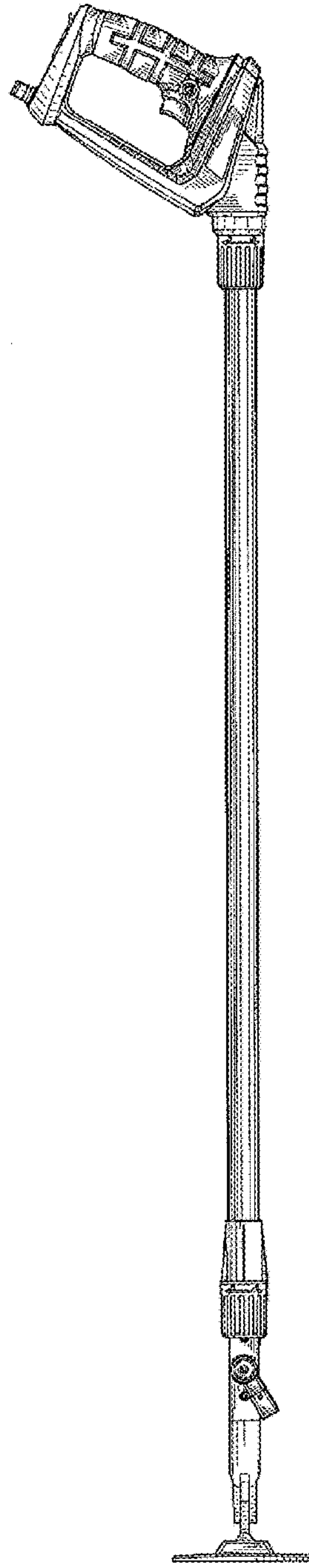


FIG. 5

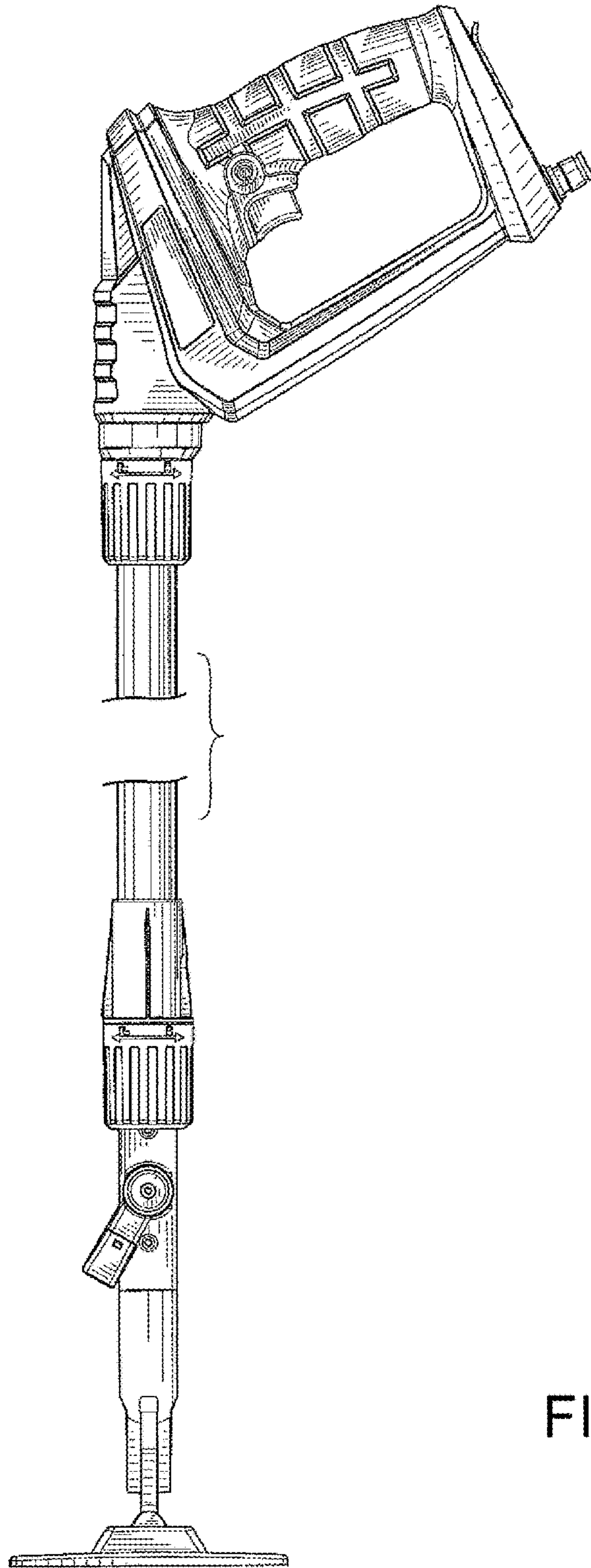


FIG. 6

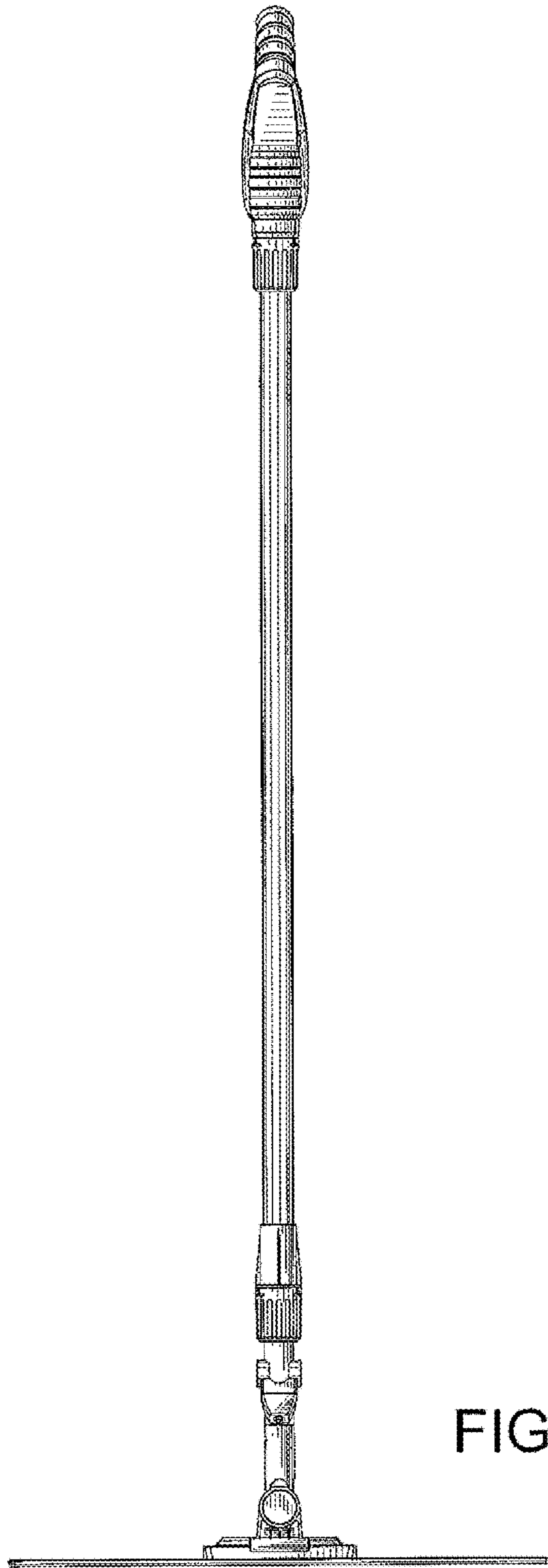


FIG. 7

FIG. 8

